



US00D435259S

United States Patent [19]

Brickner, Jr. et al.

[11] Patent Number: Des. 435,259

[45] Date of Patent: ** Dec. 19, 2000

[54] DUST COLLECTION MEMBER

5,927,171 7/1999 Sasaki et al. .
5,931,072 8/1999 Shibata .

[75] Inventors: **Louis C. Brickner, Jr.**, Pittsburgh;
Ronald E. Young, Cheswick; **David N. Hollinger**, Glenshaw; **Charles J. Baird**, Pittsburgh, all of Pa.

FOREIGN PATENT DOCUMENTS

3-108401 11/1991 Japan .
3-112301 11/1991 Japan .

[73] Assignee: **Delta International Machinery Corp.**, Pittsburgh, Pa.

Primary Examiner—Antoine Duval Davis
Attorney, Agent, or Firm—Kirkpatrick & Lockhart LLP

[**] Term: **14 Years**

[57] CLAIM

[21] Appl. No.: **29/116,275**

The ornamental design for a dust collection member, as shown and described.

[22] Filed: **Dec. 29, 1999**

DESCRIPTION

[51] **LOC (7) Cl.** **15-09**

[52] **U.S. Cl.** **D15/133**

[58] **Field of Search** D15/133; 83/98,
83/100, 471.3, 490; 451/453, 456

FIG. 1 is a first perspective view, taken from the front and to the right, of the dust collection member of the present invention, shown installed on a miter saw having the features depicted in broken lines;

FIG. 2 is second perspective view, taken from the front and to the left, of the invention illustrated in FIG. 1, shown installed on a miter saw having the features depicted in broken lines;

FIG. 3 is a third perspective view, taken from the front and to the left, and in isolation, of the invention shown in FIG. 1

FIG. 4 is a fourth perspective view, taken from the front and to the right, and in isolation, of the invention shown in FIG. 1;

FIG. 5 is a left side elevational view of the invention shown in FIG. 1;

FIG. 6 is a right side elevational view of the invention shown in FIG. 1;

FIG. 7 is a front elevational view of the invention shown in FIG. 1;

FIG. 8 is a rear elevational view of the invention shown in FIG. 1;

FIG. 9 is top view of the invention shown in FIG. 1; and, FIG. 10 is a bottom view of the invention shown in FIG. 1.

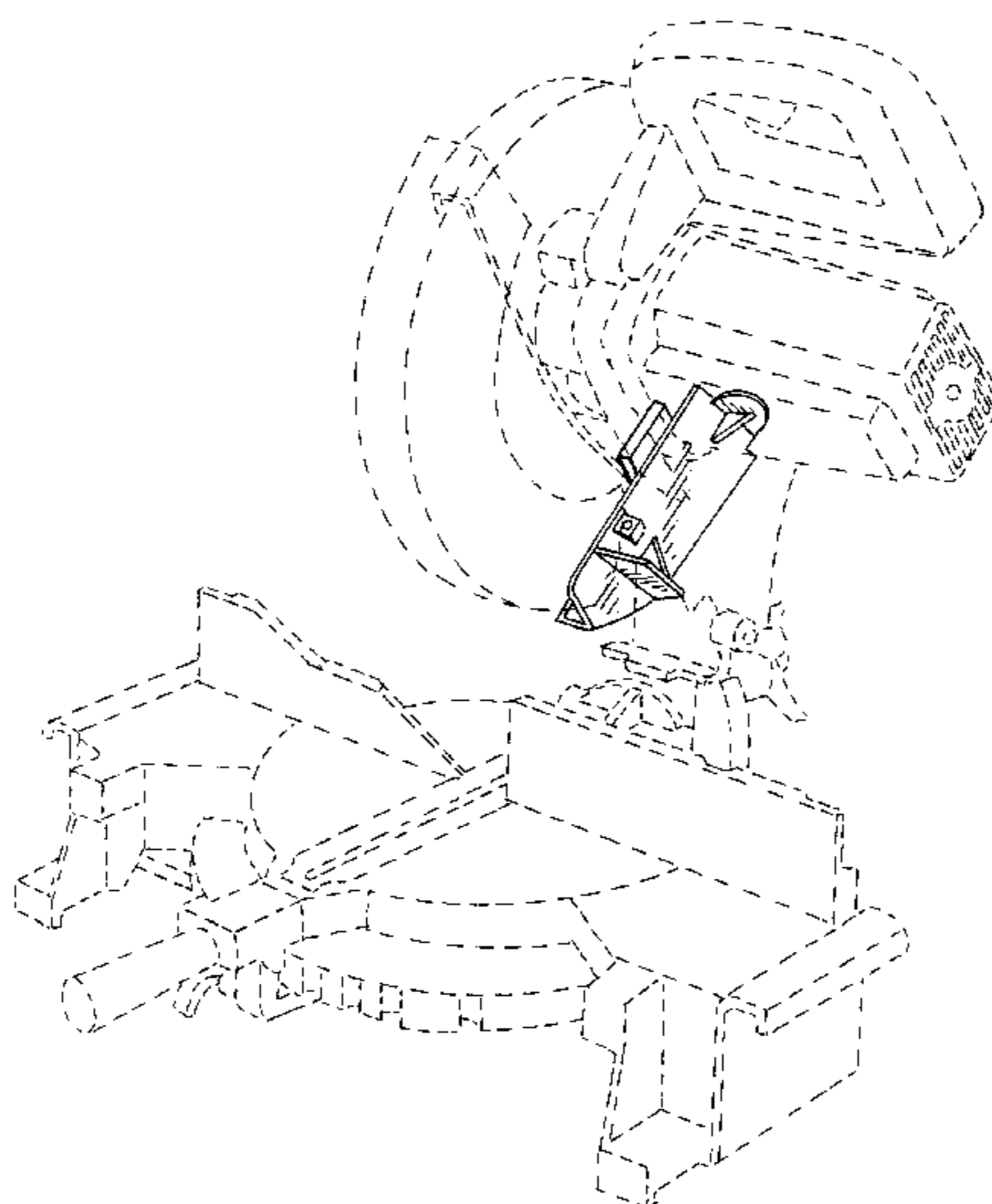
The features shown in broken lines in FIGS. 1 and 2 are for the purpose of showing an environment in which the present invention may be used, for illustrative purposes only, and do not form a part of the claimed design.

[56] References Cited

U.S. PATENT DOCUMENTS

D. 407,094	3/1999	Meredith et al.	D15/133
1,552,553	9/1925	Georgia .	
1,830,151	11/1931	Wilderson .	
2,399,239	4/1946	Martin .	
2,839,102	6/1958	Kido .	
3,262,471	7/1966	McCarty .	
3,322,169	5/1967	Hilliard .	
3,401,724	9/1968	Kreitz .	
3,565,139	2/1971	Olson .	
3,882,598	5/1975	Earle et al. .	
3,958,474	5/1976	Kreitz .	
4,253,362	3/1981	Olson .	
4,326,864	4/1982	Sittler .	
4,675,999	6/1987	Ito et al. .	
4,875,398	10/1989	Taylor et al. .	
4,932,449	6/1990	Omoto .	
4,972,749	11/1990	Grove .	
5,012,583	5/1991	Blöchle et al. .	
5,054,352	10/1991	Fushiya et al. .	
5,063,802	11/1991	Shiotani et al. .	
5,197,365	3/1993	Clifton .	
5,421,228	6/1995	Fukinuki .	
5,445,056	8/1995	Folci .	
5,495,784	3/1996	Chen .	

1 Claim, 5 Drawing Sheets



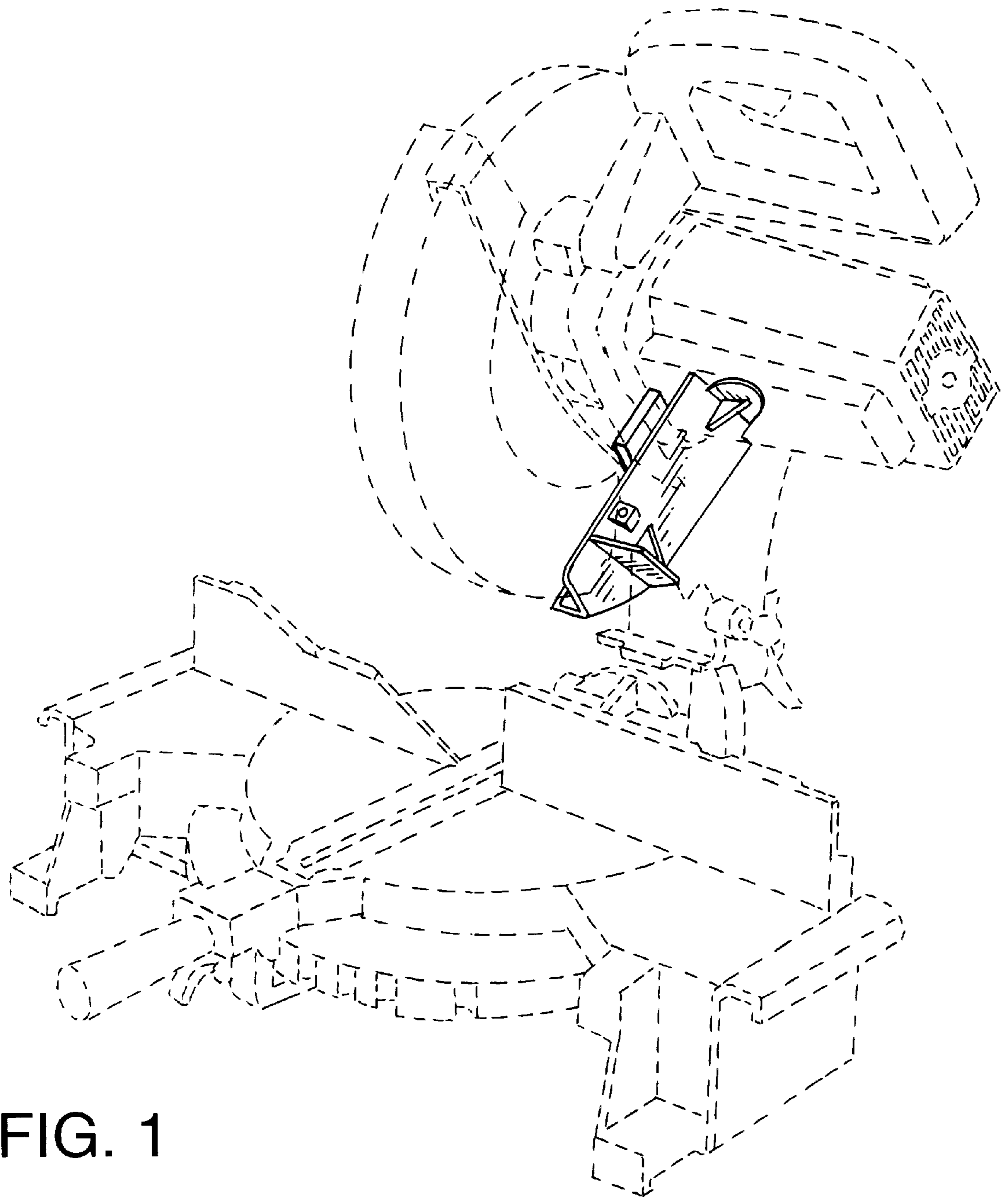


FIG. 1

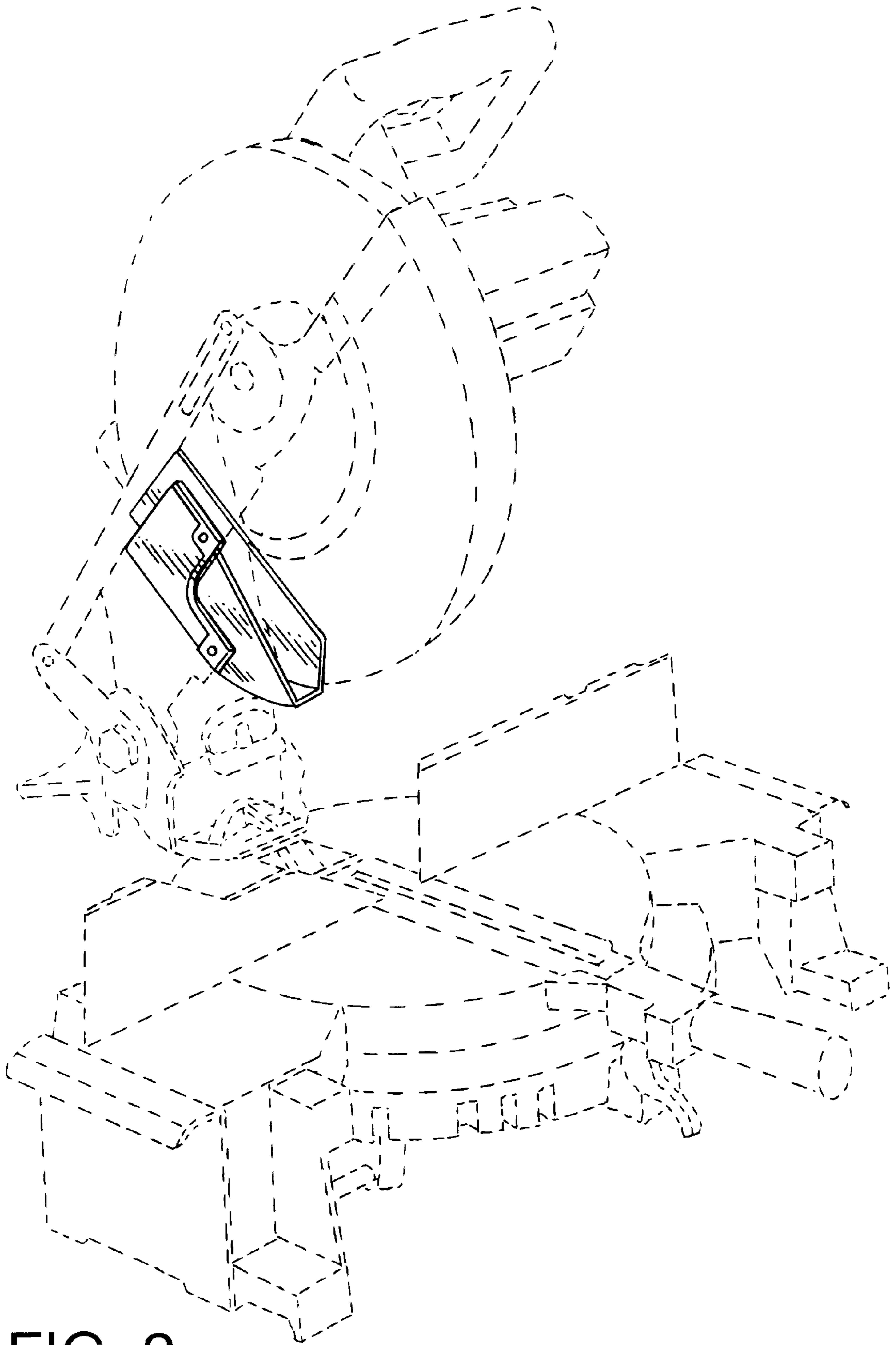


FIG. 2

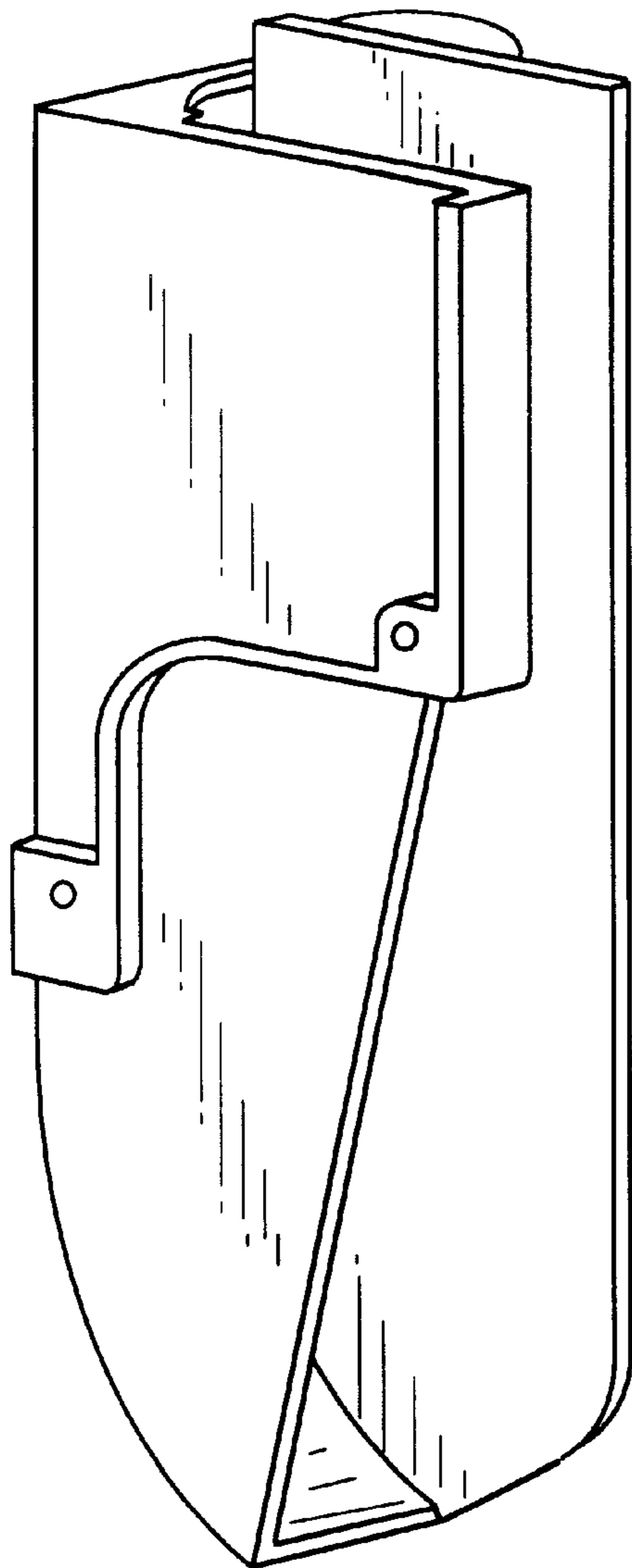


FIG. 3

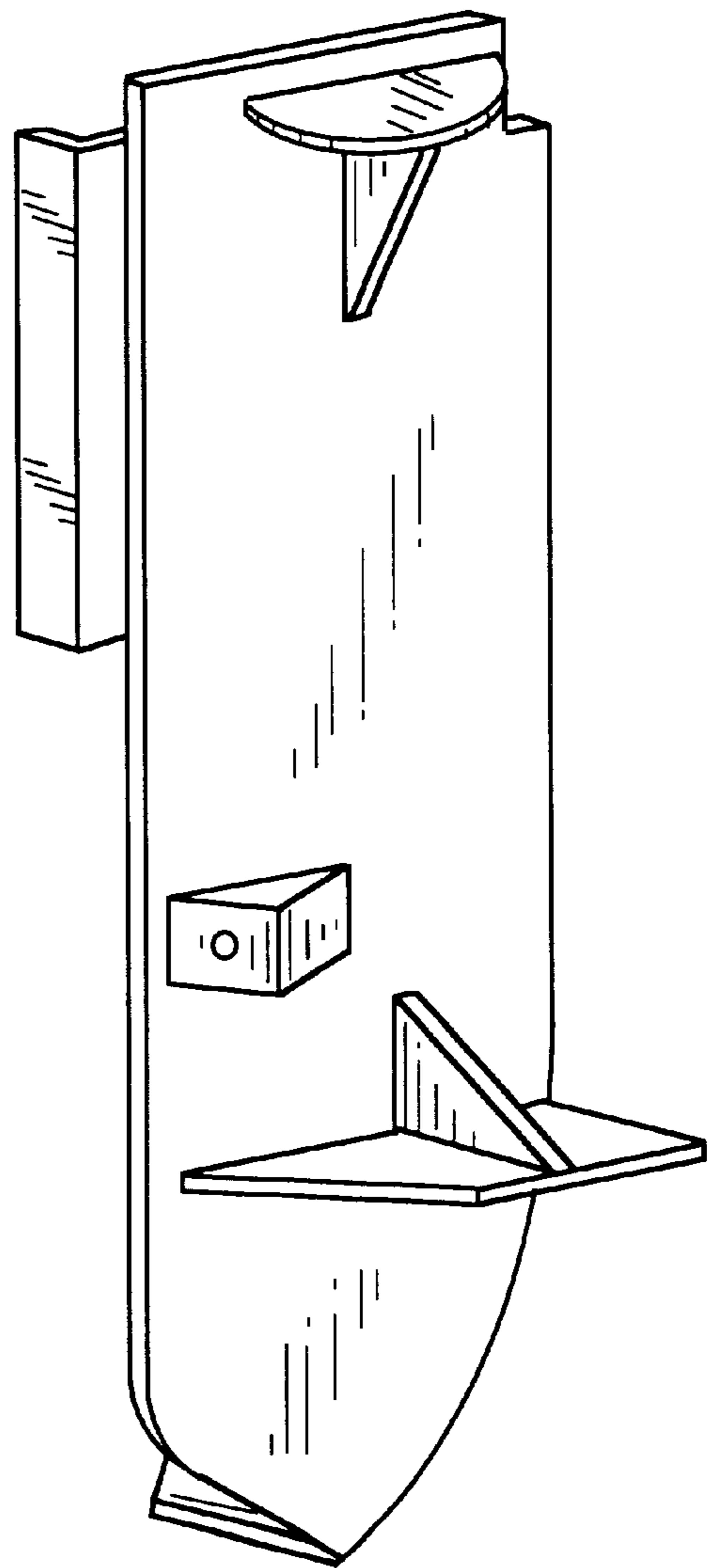


FIG. 4

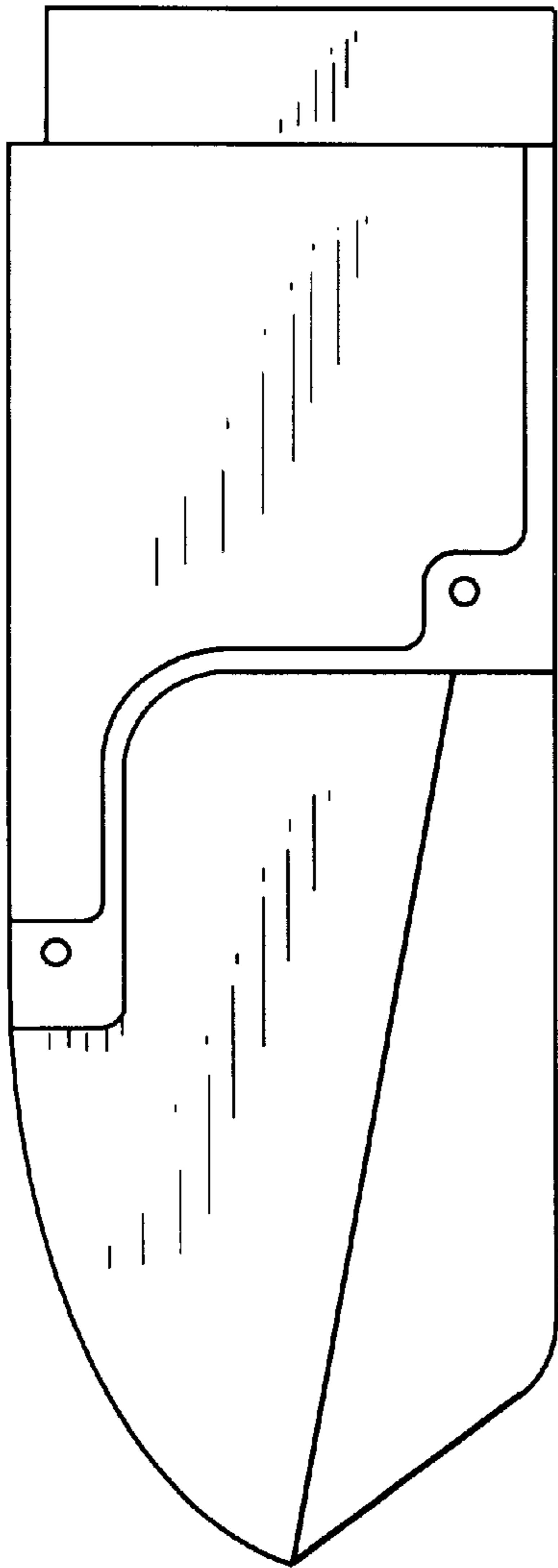


FIG. 5

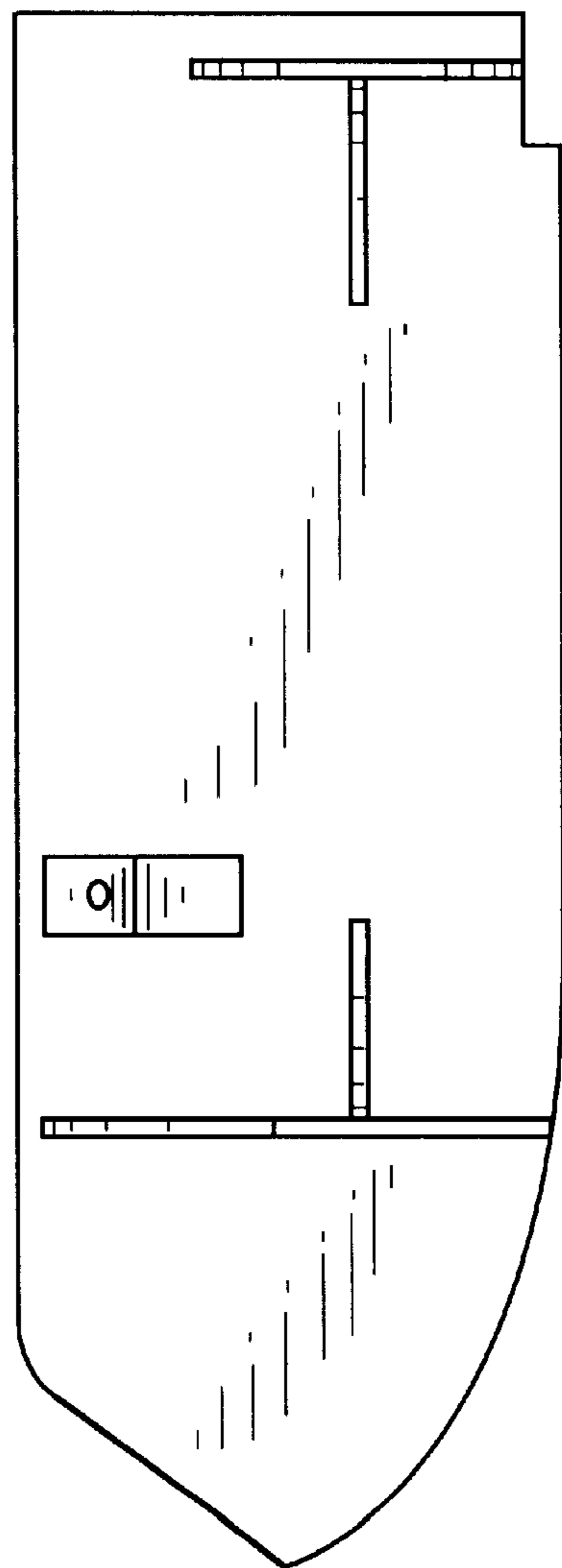


FIG. 6

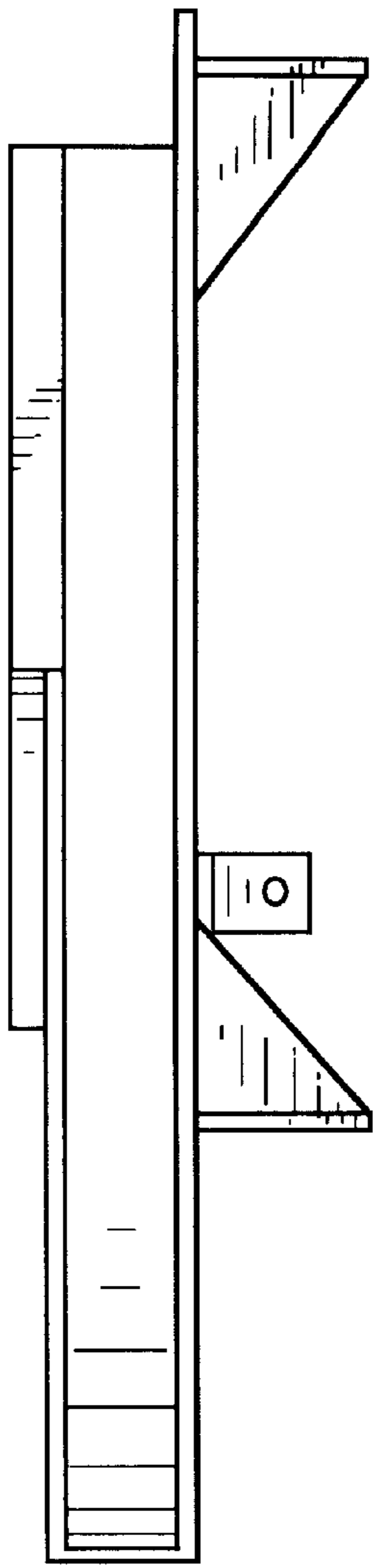


FIG. 7

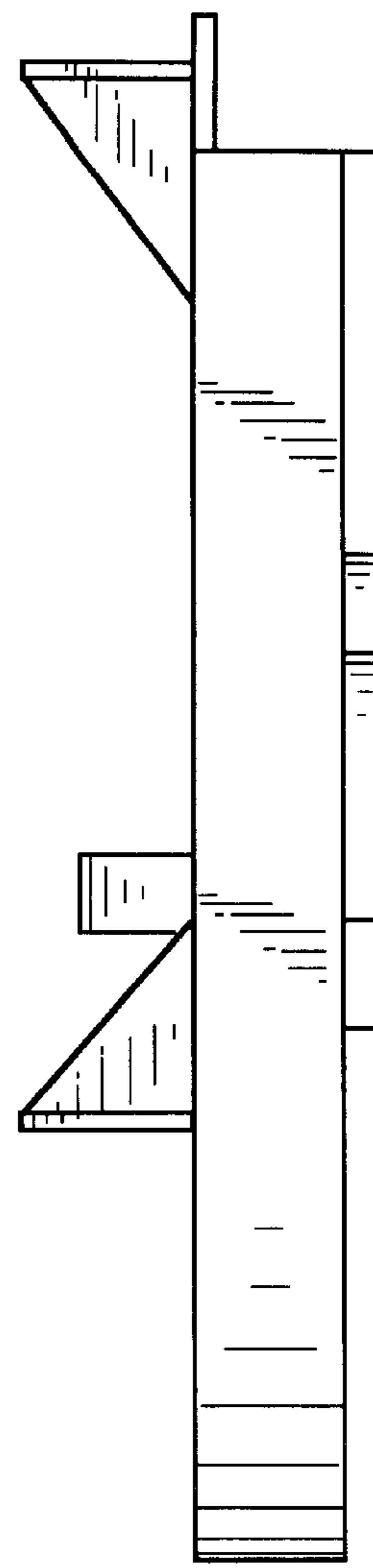


FIG. 8

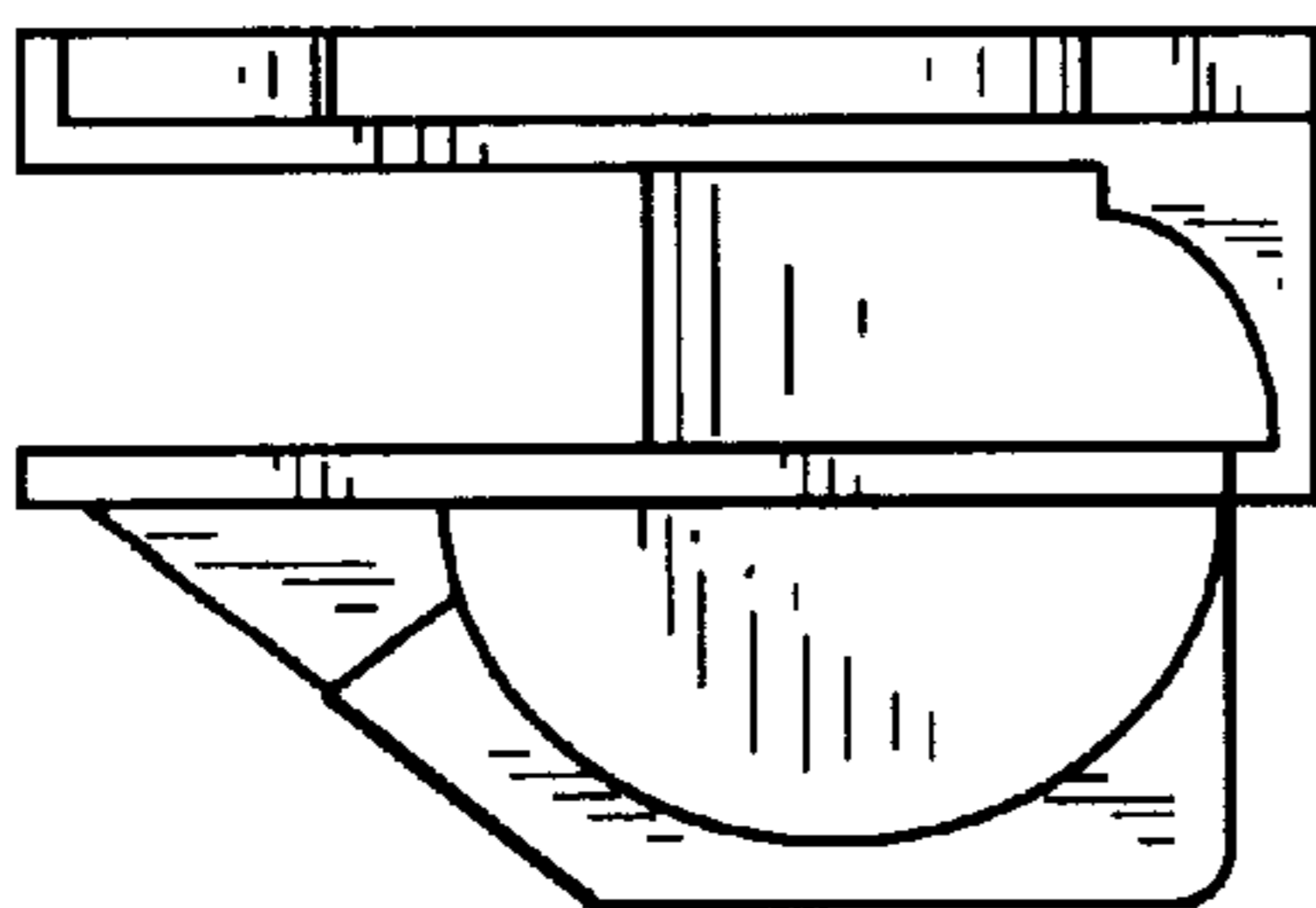


FIG. 9

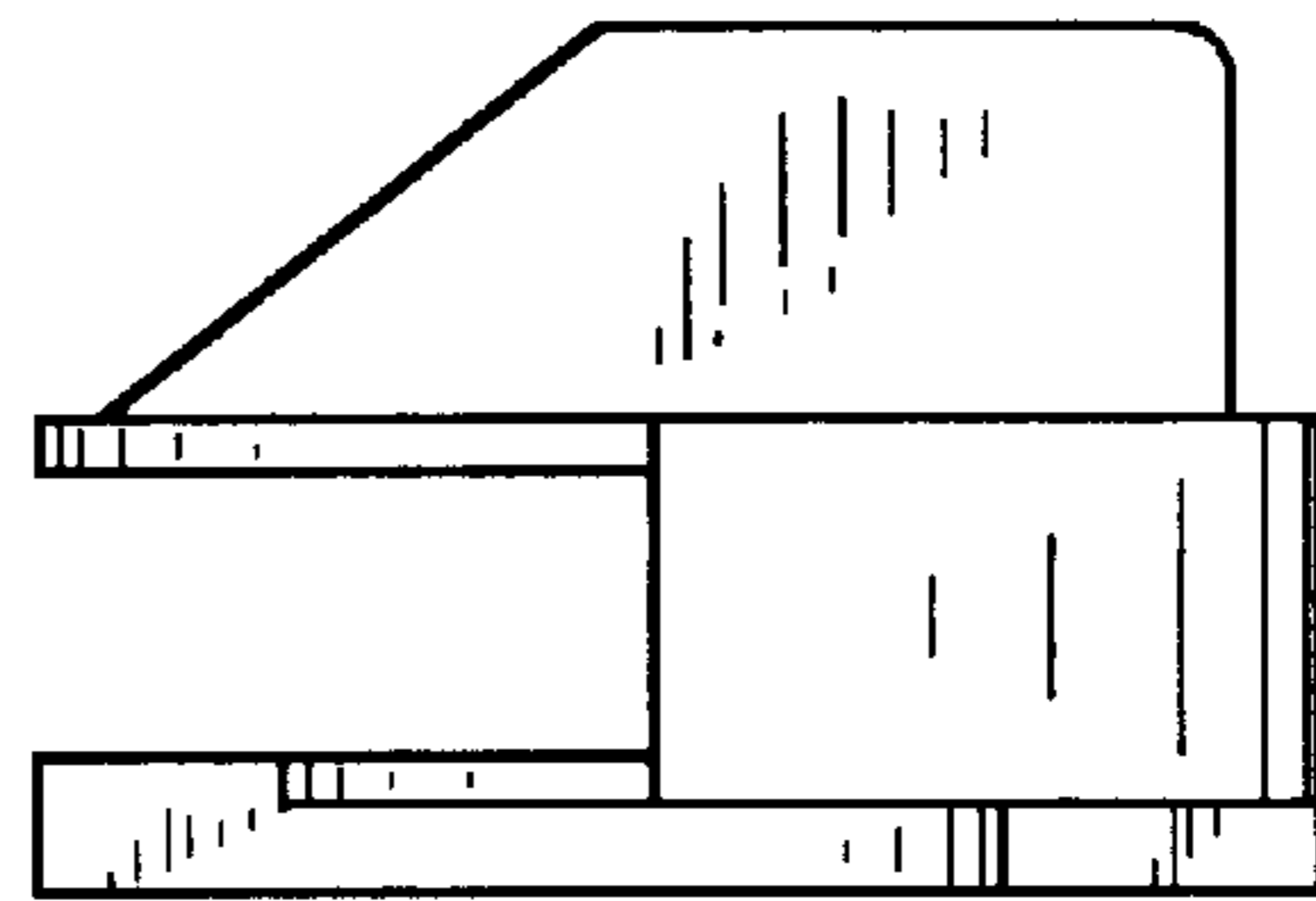


FIG. 10