



US00D435253S

United States Patent [19]

Oden, II et al.

[11] Patent Number: **Des. 435,253**

[45] Date of Patent: **** Dec. 19, 2000**

[54] **DOCKING MODULE FOR A PORTABLE PHONE**

[75] Inventors: **Claude M. Oden, II**, Chula Vista, Calif.; **Mark W. Foohey**, Austin, Tex.; **Julia Heard**, Austin, Tex.; **Kit R. Morris**, Austin, Tex.

[73] Assignee: **Qualcomm, Incorporated**, San Diego, Calif.

[**] Term: **14 Years**

[21] Appl. No.: **29/098,713**

[22] Filed: **Jan. 5, 1999**

[51] **LOC (7) Cl.** **14-03**

[52] **U.S. Cl.** **D14/253; D13/108**

[58] **Field of Search** D14/137, 138, D14/148, 147, 149-151, 140-142, 240, 241, 251, 253; 361/736; 379/433-436, 419, 420, 428, 440, 454, 455, 446, 447; D13/107, 108; 320/110, 113, 114, 115

[56] **References Cited**

U.S. PATENT DOCUMENTS

- D. 204,881 5/1966 Cook D13/108
- D. 275,482 9/1984 Coons et al. D14/253

- D. 277,662 2/1985 Huntington et al. D13/107
- D. 301,456 6/1989 Siddoway D13/107
- D. 324,370 3/1992 Lay et al. D13/108
- D. 345,728 4/1994 Tyneski et al. D13/108
- D. 368,892 4/1996 Tanaka D13/108
- D. 369,344 4/1996 Lindeman et al. D13/108
- D. 395,280 6/1998 Phelps D13/108
- D. 413,097 8/1999 Chang D13/107
- 5,132,877 7/1992 Branan et al. 361/736

Primary Examiner—Jeffrey Asch
Attorney, Agent, or Firm—Philip Wadsworth; Charles D. Brown

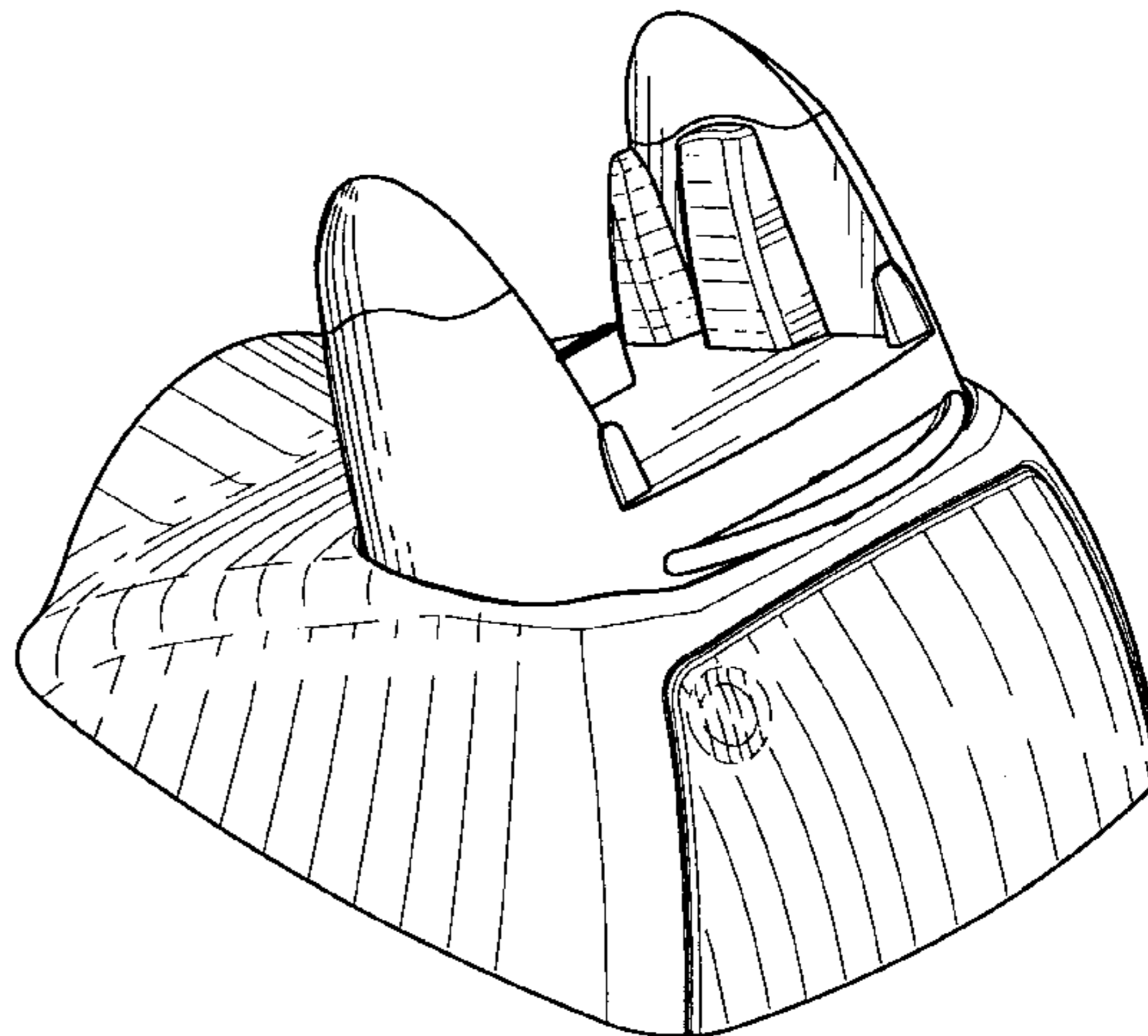
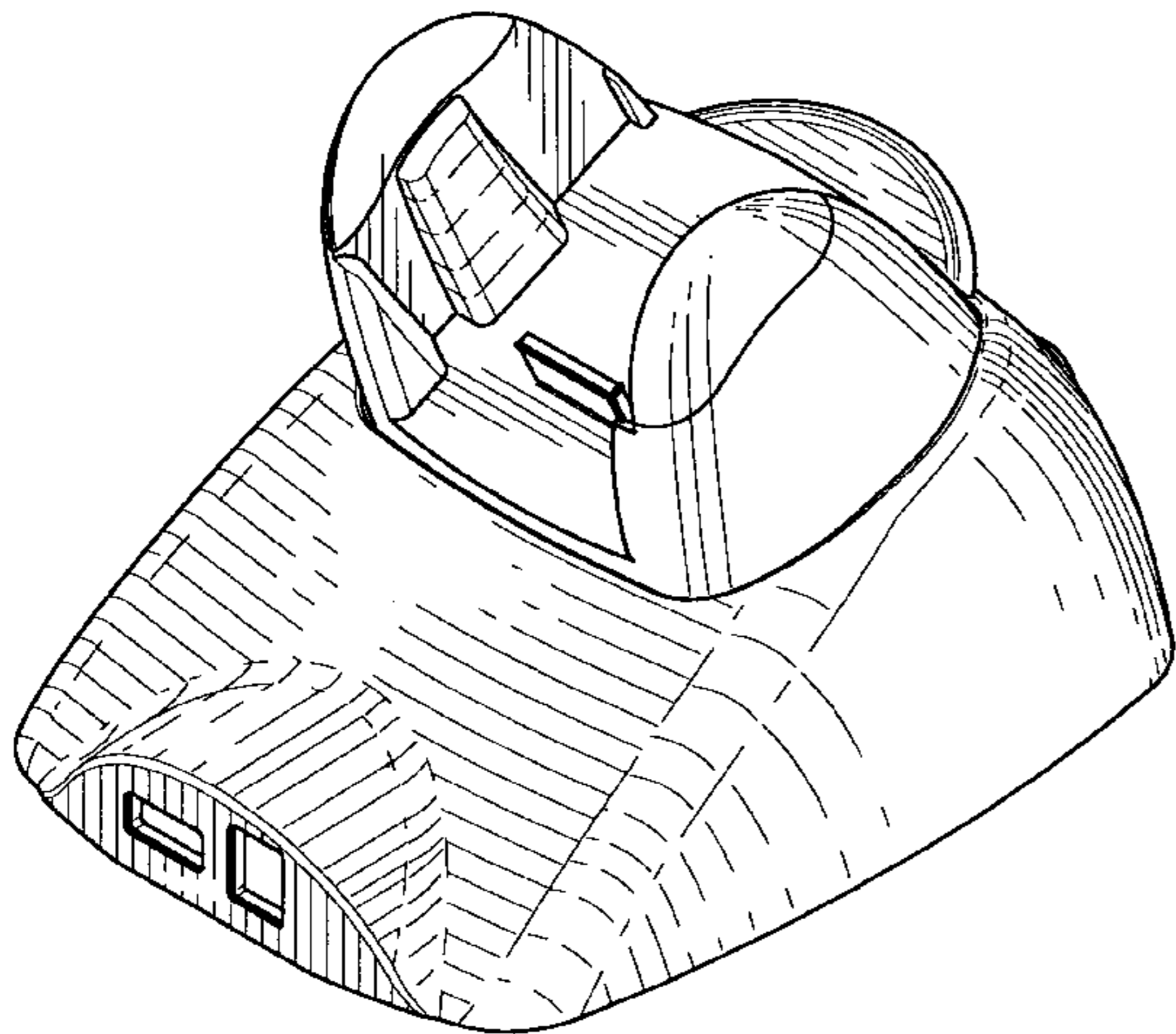
[57] **CLAIM**

The ornamental design for a docking module for a portable phone, as shown and described.

DESCRIPTION

FIG. 1 is a rear, top and left side perspective view of the docking module showing our new design.
FIG. 2 is a front, top and left side perspective view thereof.
FIG. 3 is a top side plan view thereof.
FIG. 4 is a front side elevational view thereof.
FIG. 5 is a left side elevational view thereof.
FIG. 6 is a right side elevational view thereof.
FIG. 7 is a bottom side plan view thereof; and,
FIG. 8 is a rear side elevational view thereof.

1 Claim, 4 Drawing Sheets



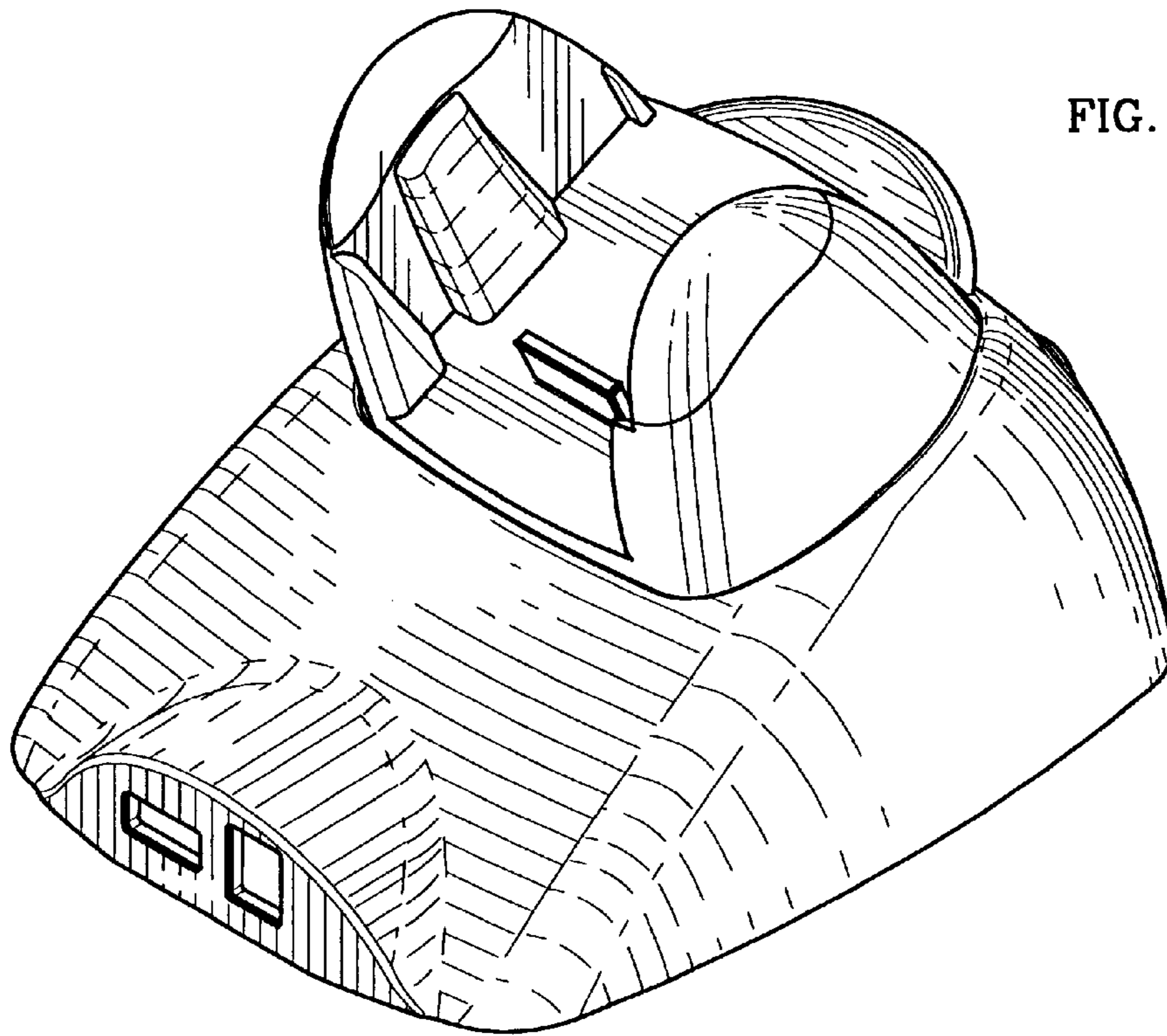


FIG. 1

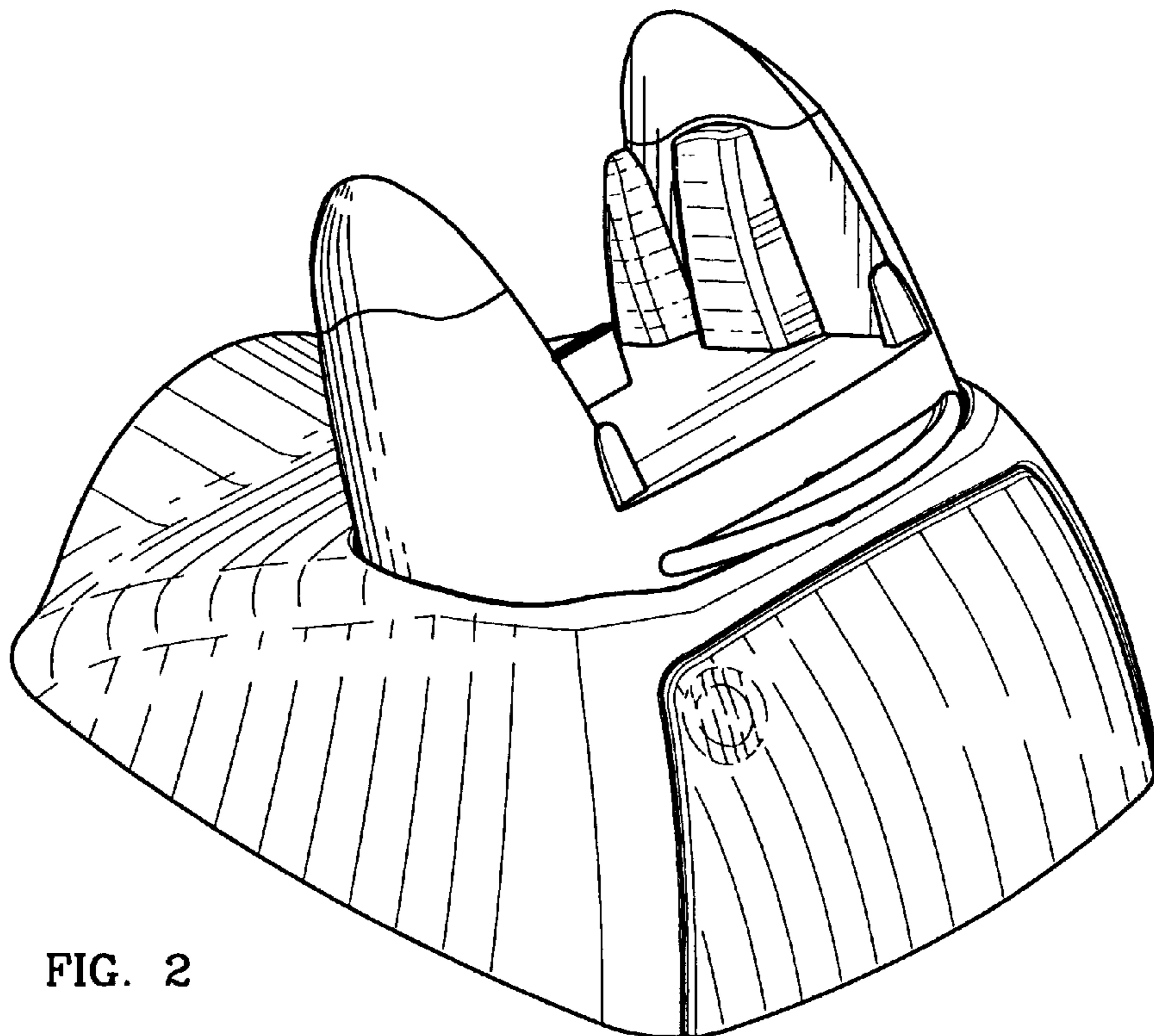


FIG. 2

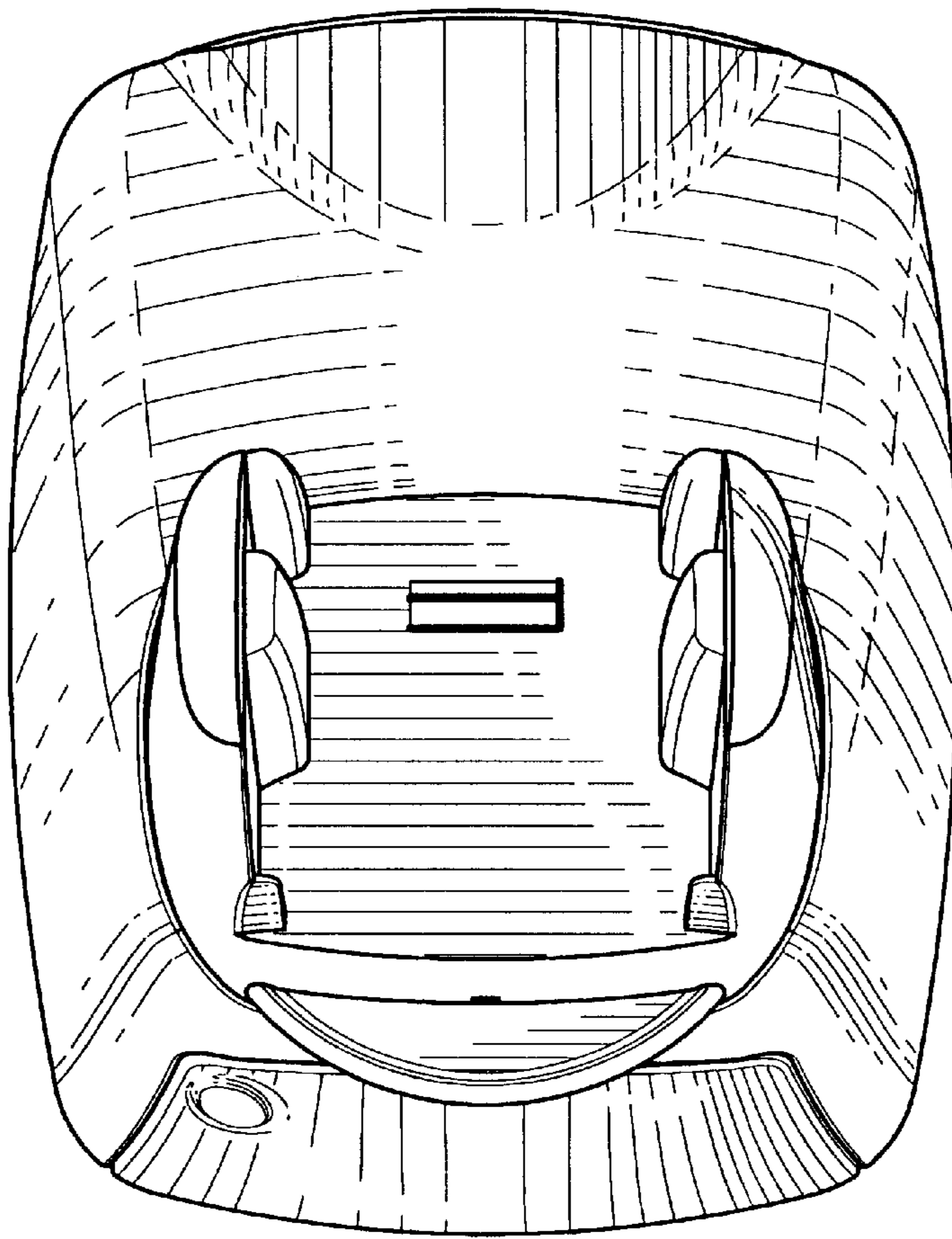


FIG. 3

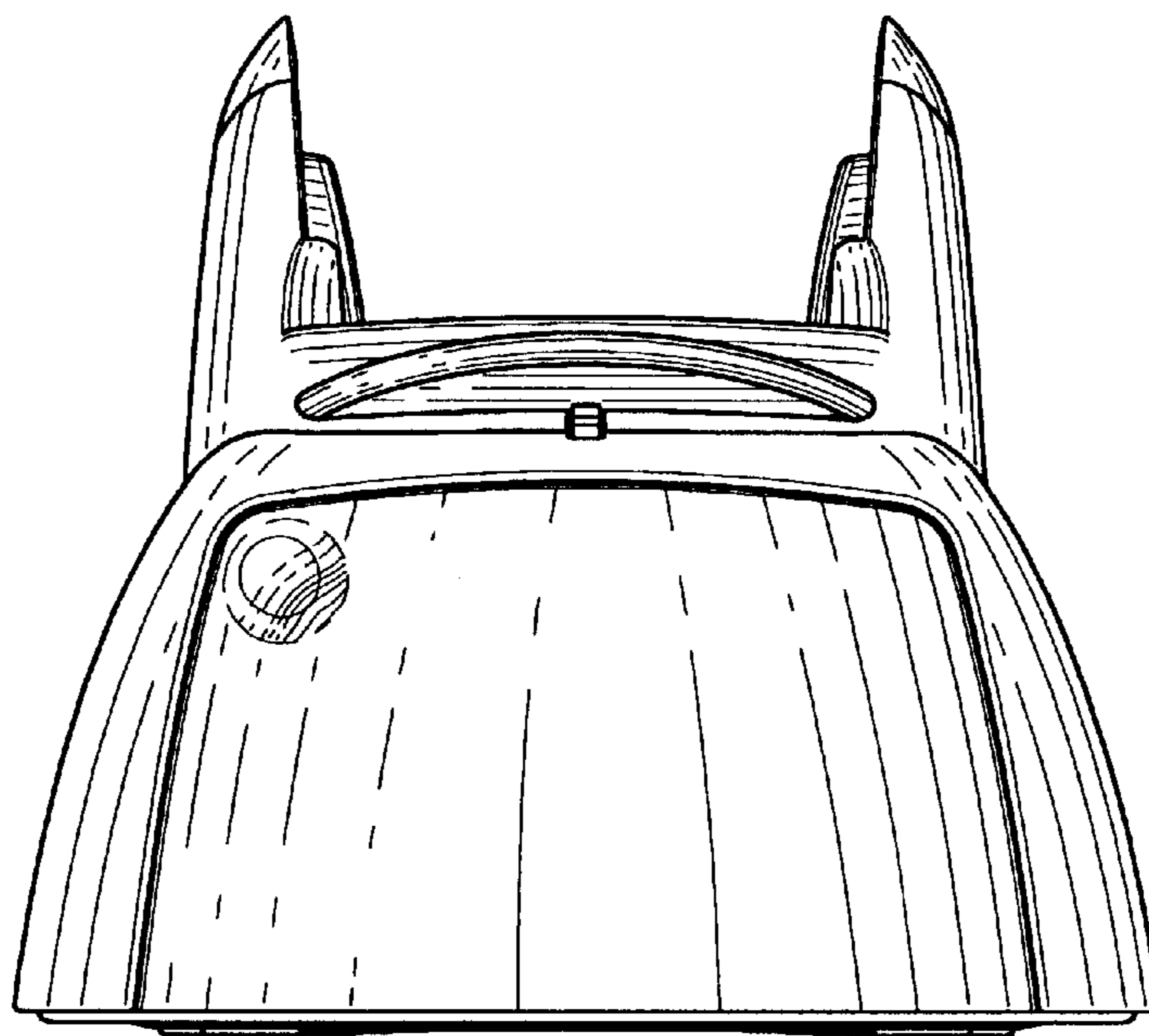


FIG. 4

FIG. 5

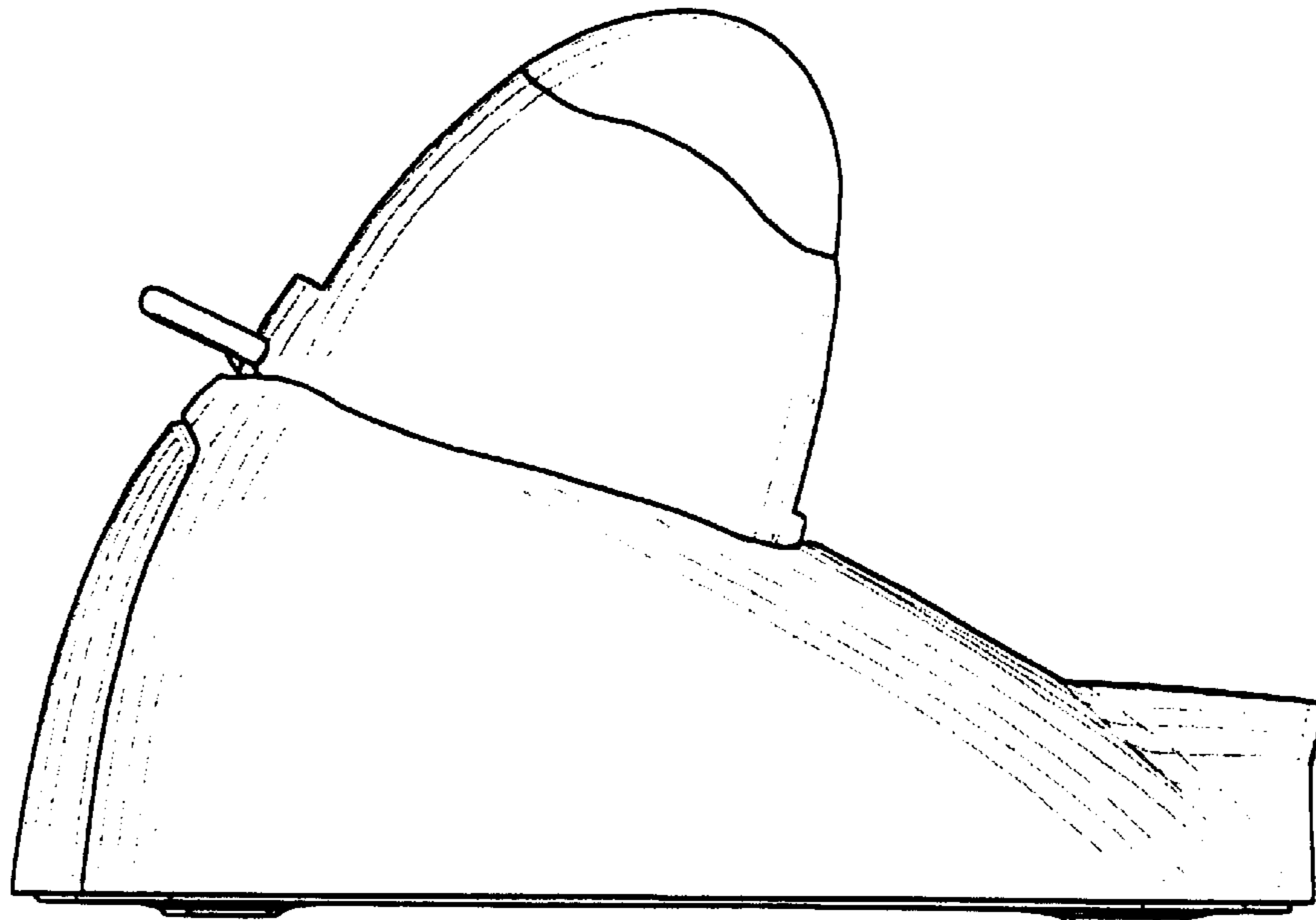
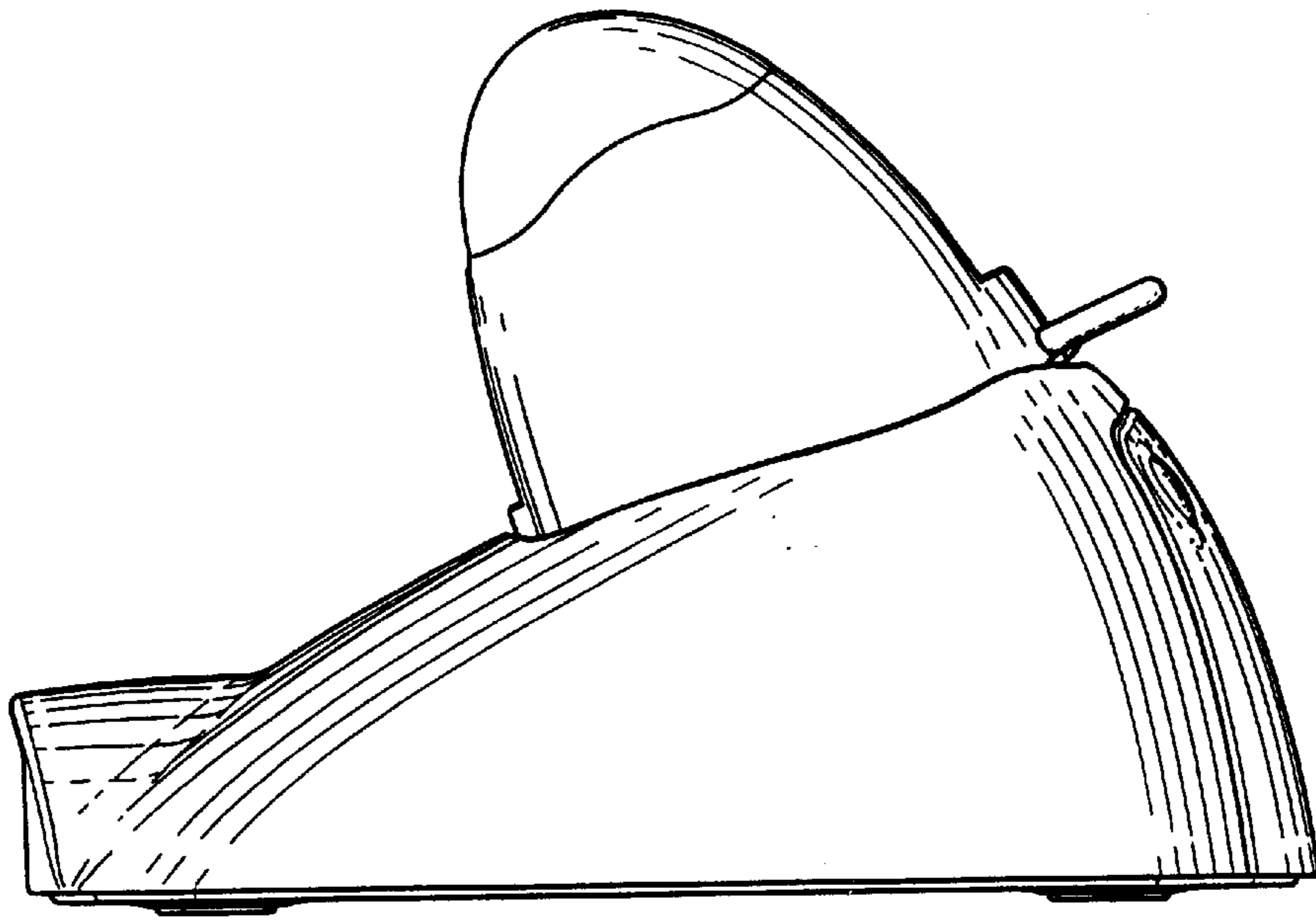


FIG. 6

FIG. 7

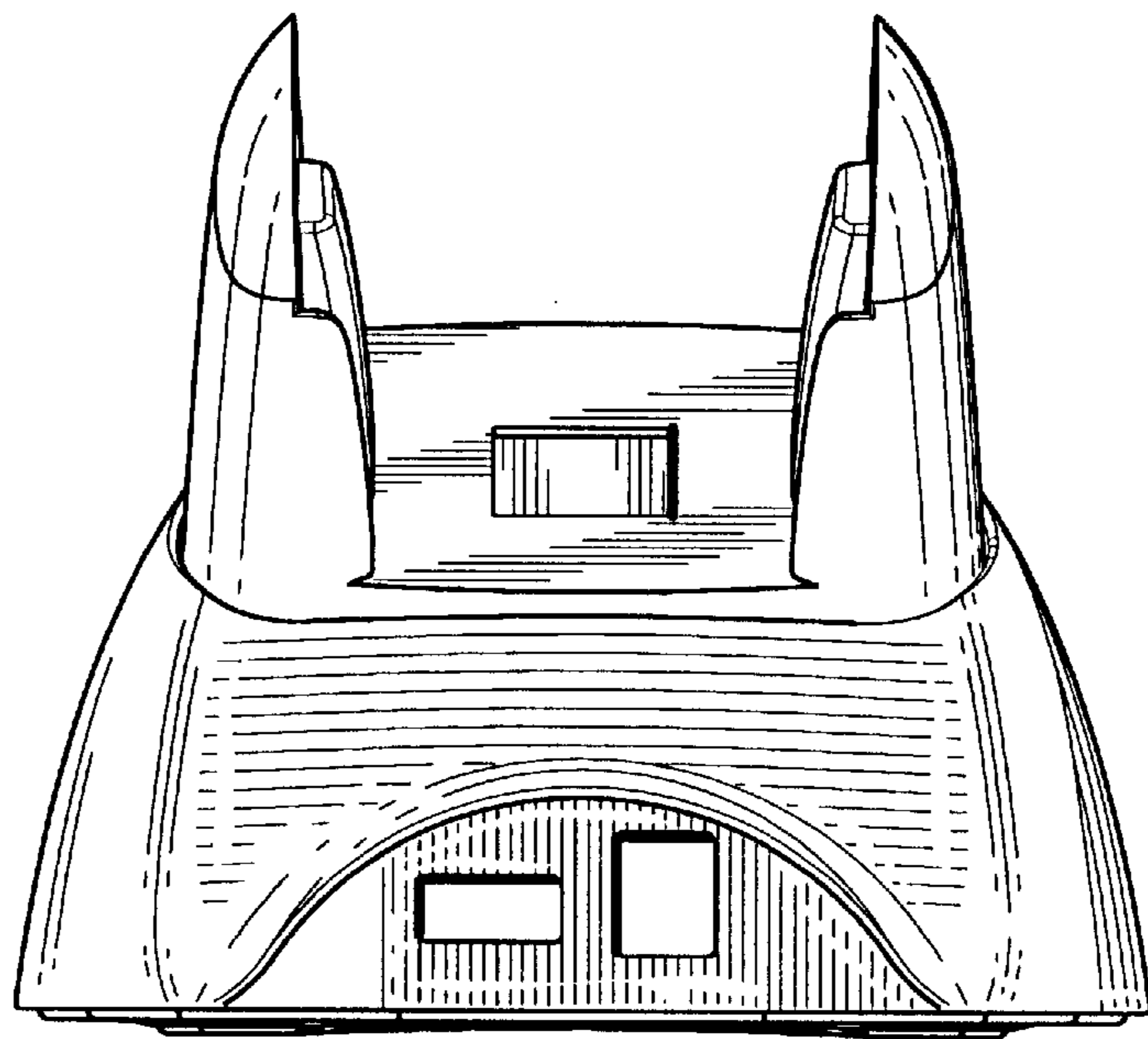
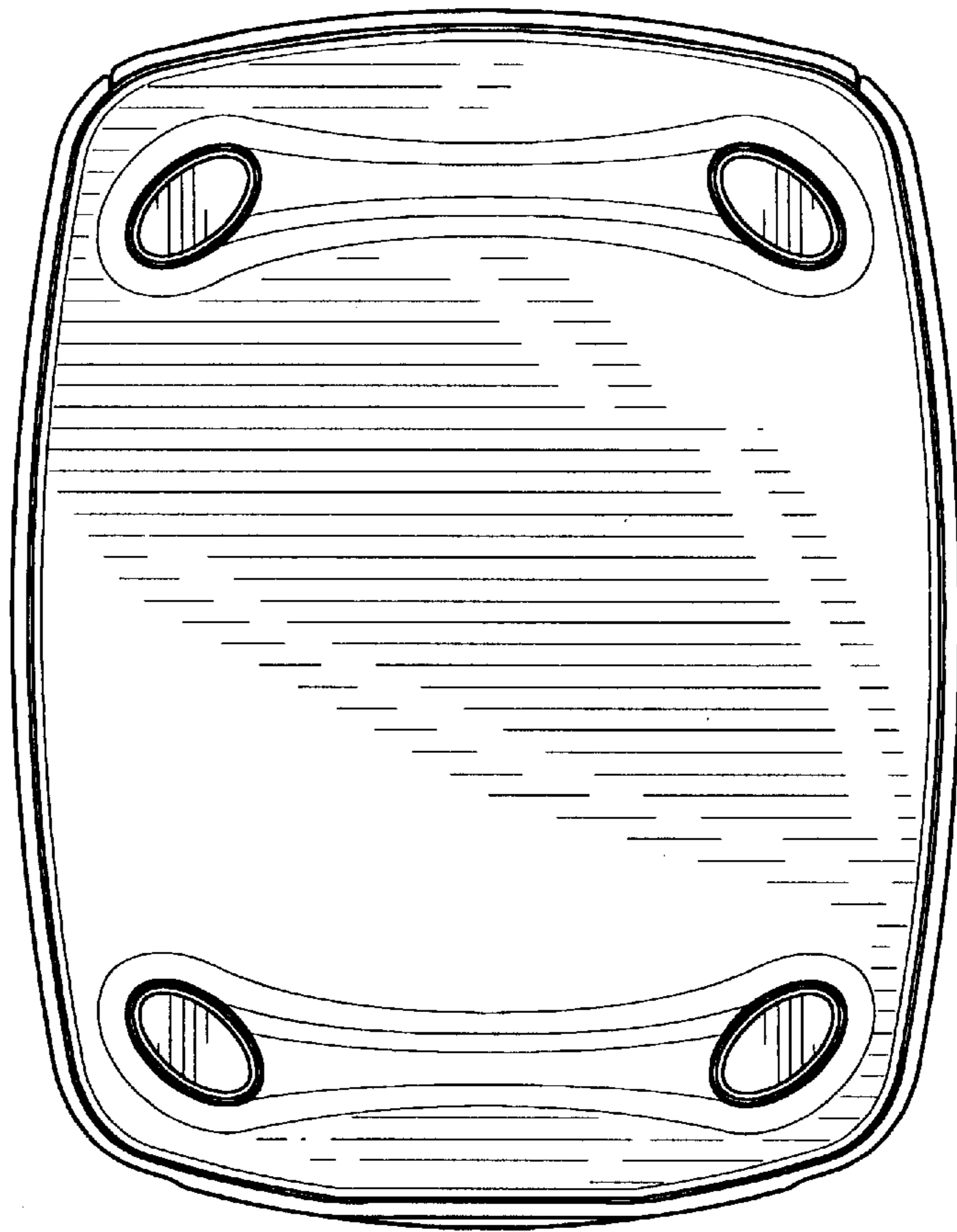


FIG. 8