



US00D435252S

United States Patent [19]

Shindo et al.

[11] **Patent Number: Des. 435,252**

[45] **Date of Patent: ** Dec. 19, 2000**

[54] **WIRELESS TELEPHONE**

[75] Inventors: **Koji Shindo; Jun Komiyama**, both of Tokyo, Japan

[73] Assignee: **Sony Corporation**, Japan

[**] Term: **14 Years**

[21] Appl. No.: **29/074,677**

[22] Filed: **Jun. 30, 1997**

[51] **LOC (7) Cl.** **14-03**

[52] **U.S. Cl.** **D14/248**

[58] **Field of Search** D14/137, 138, D14/140, 142, 147, 148, 247, 248, 240, 249, 218; 79/419, 420, 428, 440, 433, 434; 455/550-575, 90

[56] **References Cited**

U.S. PATENT DOCUMENTS

D. 363,716	10/1995	Siddoway et al.	D14/138
D. 382,871	8/1997	Nagai et al.	D14/138
D. 392,967	3/1998	Mason	D14/138
D. 393,470	4/1998	Nagele et al.	D14/249
D. 395,049	6/1998	Mason	D14/247
D. 398,924	9/1998	Shindo	D14/138
D. 400,203	10/1998	Kolinen	D14/138

D. 402,664	12/1998	Phillips et al.	D14/247
D. 405,782	2/1999	Harris et al.	D14/138
D. 405,784	2/1999	Phillips et al.	D14/138
D. 409,602	5/1999	Chan	D14/147
D. 416,563	11/1999	Kolinen	D14/248
D. 421,022	2/2000	Curtis	D14/248
D. 421,258	2/2000	Isonaga	D14/147
D. 421,987	3/2000	Komiyama	D14/147
D. 423,015	4/2000	Curtis et al.	D14/248

Primary Examiner—Jeffrey Asch
Attorney, Agent, or Firm—Rader, Fishman&Grauer

[57] **CLAIM**

The ornamental design for a wireless telephone, as shown and described.

DESCRIPTION

FIG. 1 is a perspective view of a front embodiment of a portion of a wireless telephone showing our new design; FIG. 2 is a front elevational view thereof; FIG. 3 is a perspective view of a second embodiment of a portion of a wireless telephone showing our new design; and, FIG. 4 is a front elevational view thereof. Portions in broken lines are for illustrative purposes only and form no part of claimed design.

1 Claim, 4 Drawing Sheets

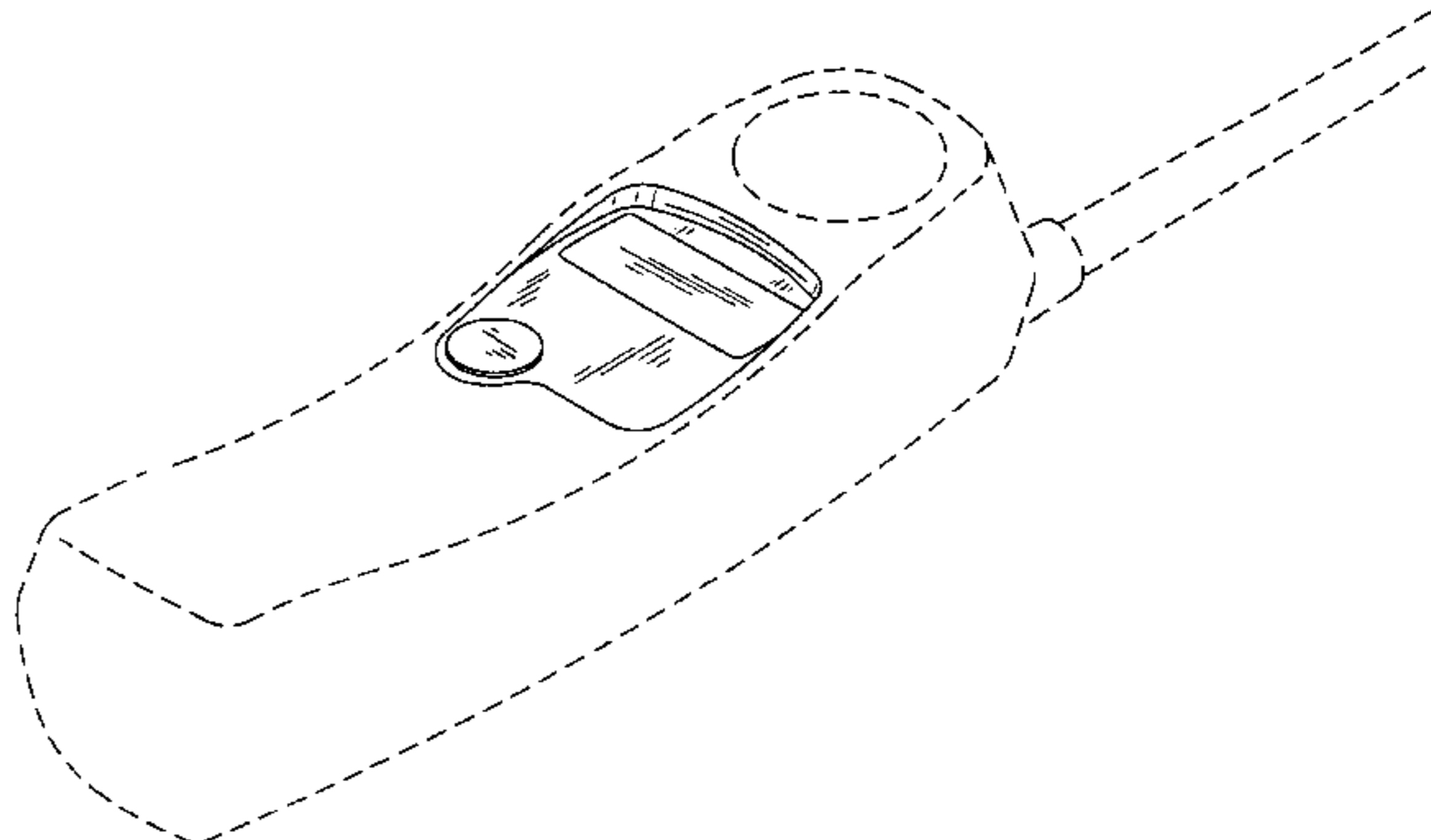
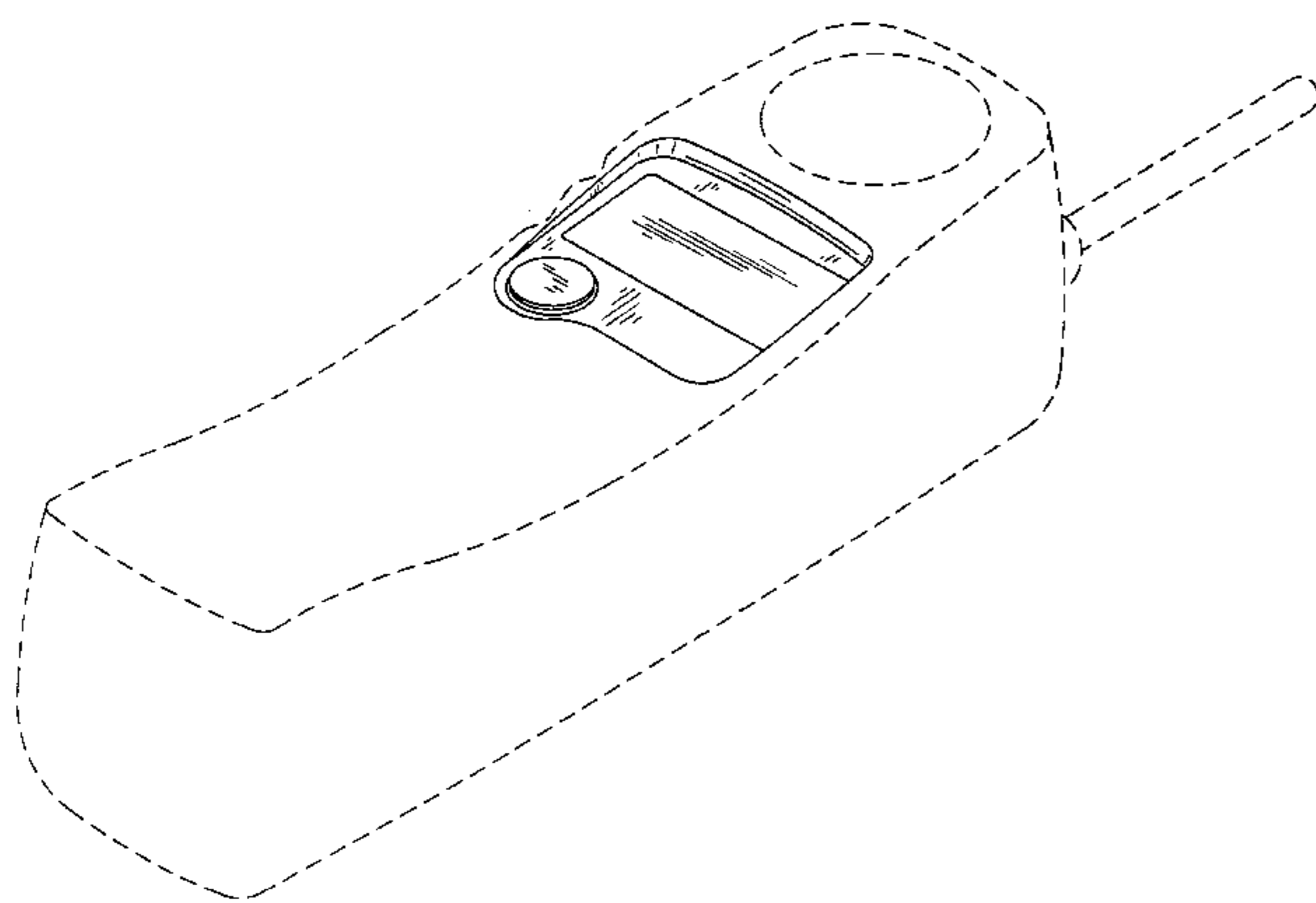


FIG. 1

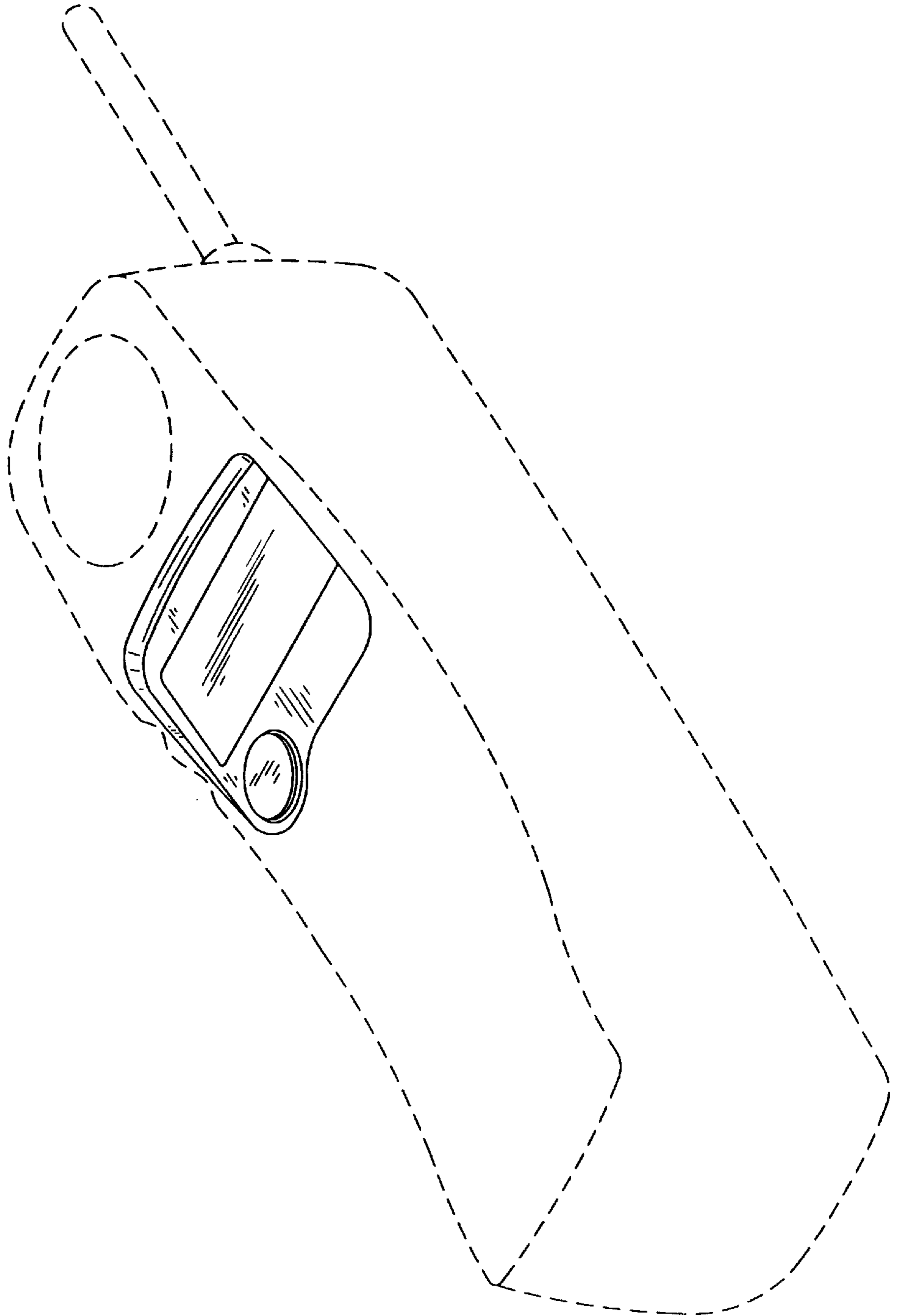


FIG. 2

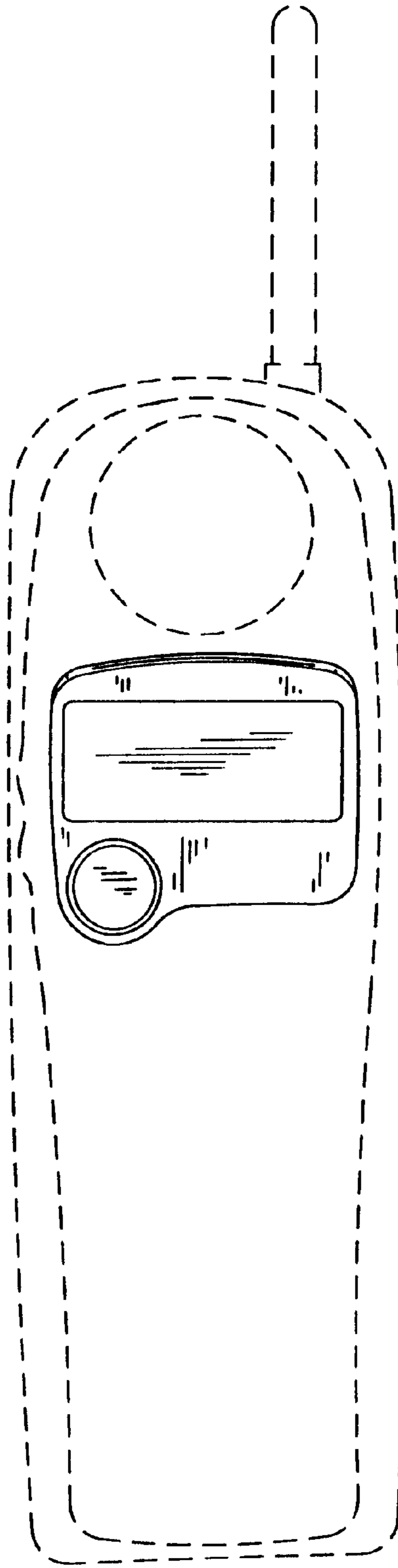


FIG. 3

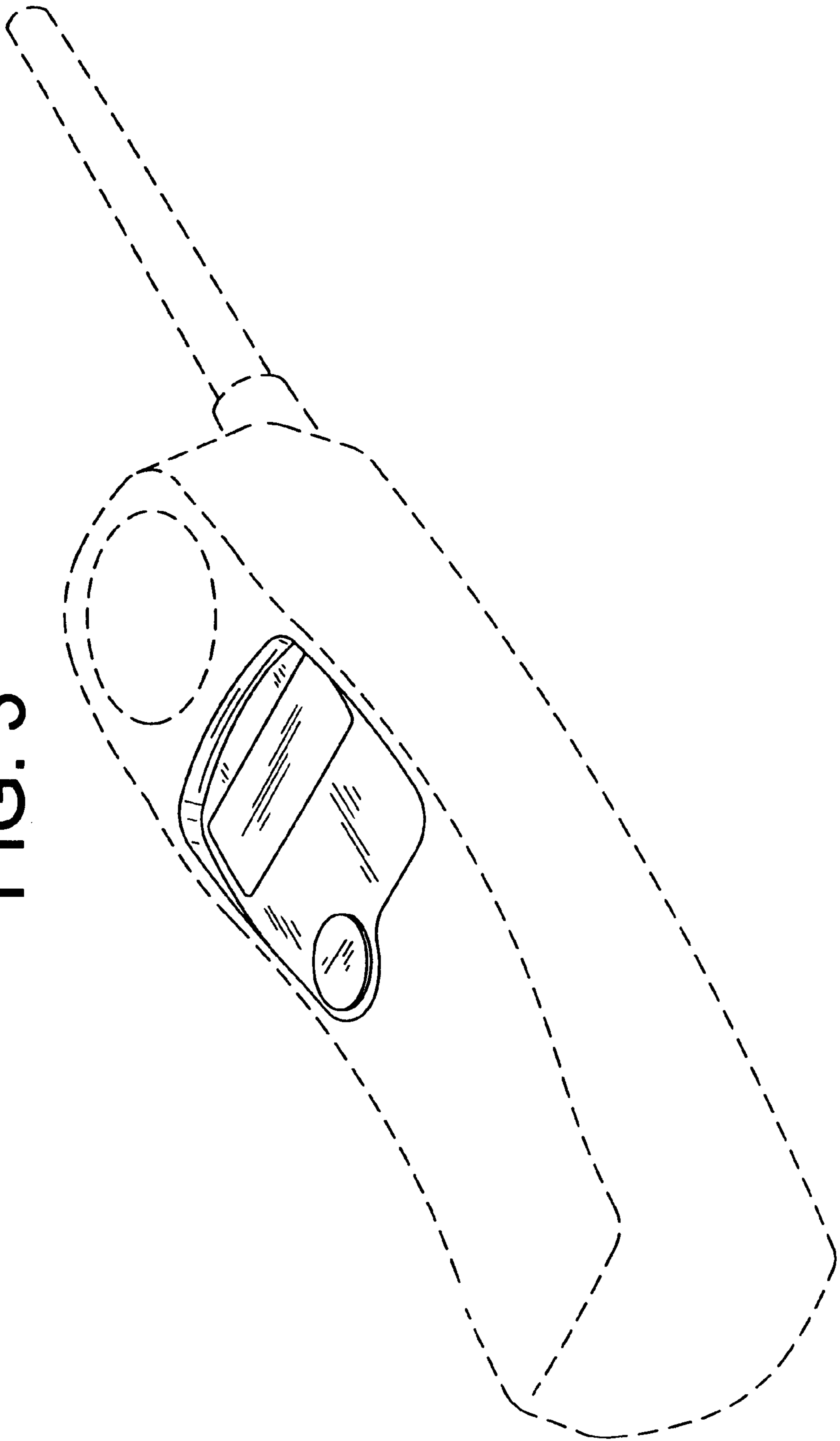


FIG. 4

