



US00D435251S

**United States Patent** [19]  
**Overton**

[11] **Patent Number: Des. 435,251**

[45] **Date of Patent: \*\* Dec. 19, 2000**

[54] **HORN ANTENNA**

[75] Inventor: **Steven R. Overton**, Seattle, Wash.

[73] Assignee: **WAVTrace, Inc.**, Bellevue, Wash.

[\*\*] Term: **14 Years**

[21] Appl. No.: **29/101,536**

[22] Filed: **Mar. 5, 1999**

[51] **LOC (7) Cl.** ..... **14-03**

[52] **U.S. Cl.** ..... **D14/230**

[58] **Field of Search** ..... D14/230-238;  
343/702, 833, 712, 872, 908, 878, 840,  
725, 870, 805, 726, 786, 823, 795, 713,  
708, 882, 714, 916

[56] **References Cited**

**U.S. PATENT DOCUMENTS**

D. 188,495	8/1960	Gould	.....	D14/230
2,255,042	9/1941	Barrow	.....	343/786
5,459,471	10/1995	Thomas	.....	343/786

*Primary Examiner*—Louis S. Zarfes

*Assistant Examiner*—G. Andoll

*Attorney, Agent, or Firm*—Fulbright & Jaworski L.L.P.

[57] **CLAIM**

I claim the ornamental design for a horn antenna, as shown and described.

**DESCRIPTION**

FIG. 1 is an elevation view from the front of my design for a horn antenna.

FIG. 2 is an elevation view from the right side of my design for a horn antenna. The left side of my design for a horn antenna is substantially a mirror image of the right side shown.

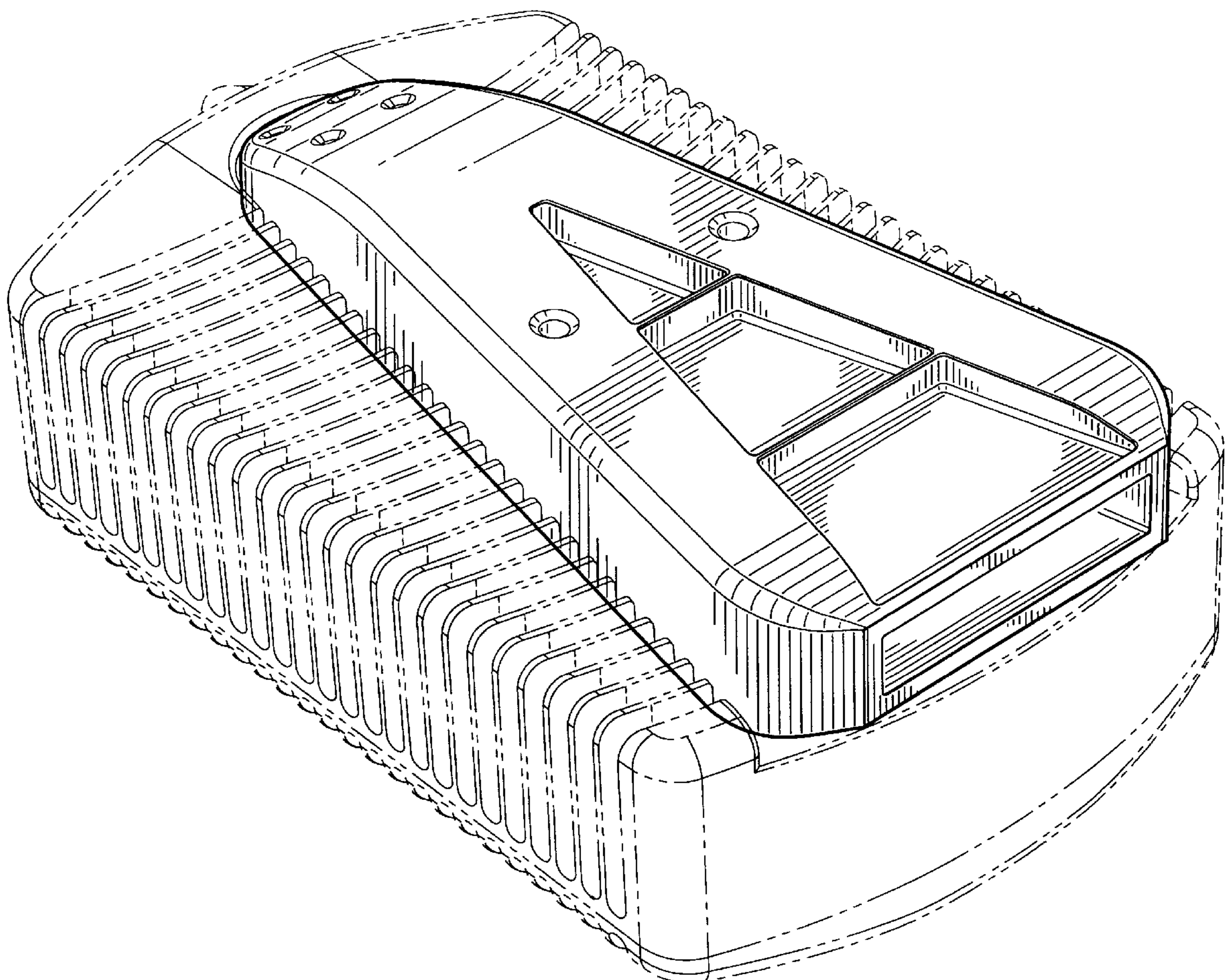
FIG. 3 is an elevation view from the back of my design for a horn antenna; and,

FIG. 4 is an isometric view from the front showing the front, bottom, and left side of my design for a horn antenna.

It should be understood that the labels used herein for describing orientation (e.g., front, back, top, bottom, right side, and left side) are merely for reference, and the design may be disposed in any manner and still be within the scope of the present invention.

Additionally, the broken line showing of a housing for a transceiver in FIG. 4 is environmental only and forms no part of the claimed design.

**1 Claim, 2 Drawing Sheets**



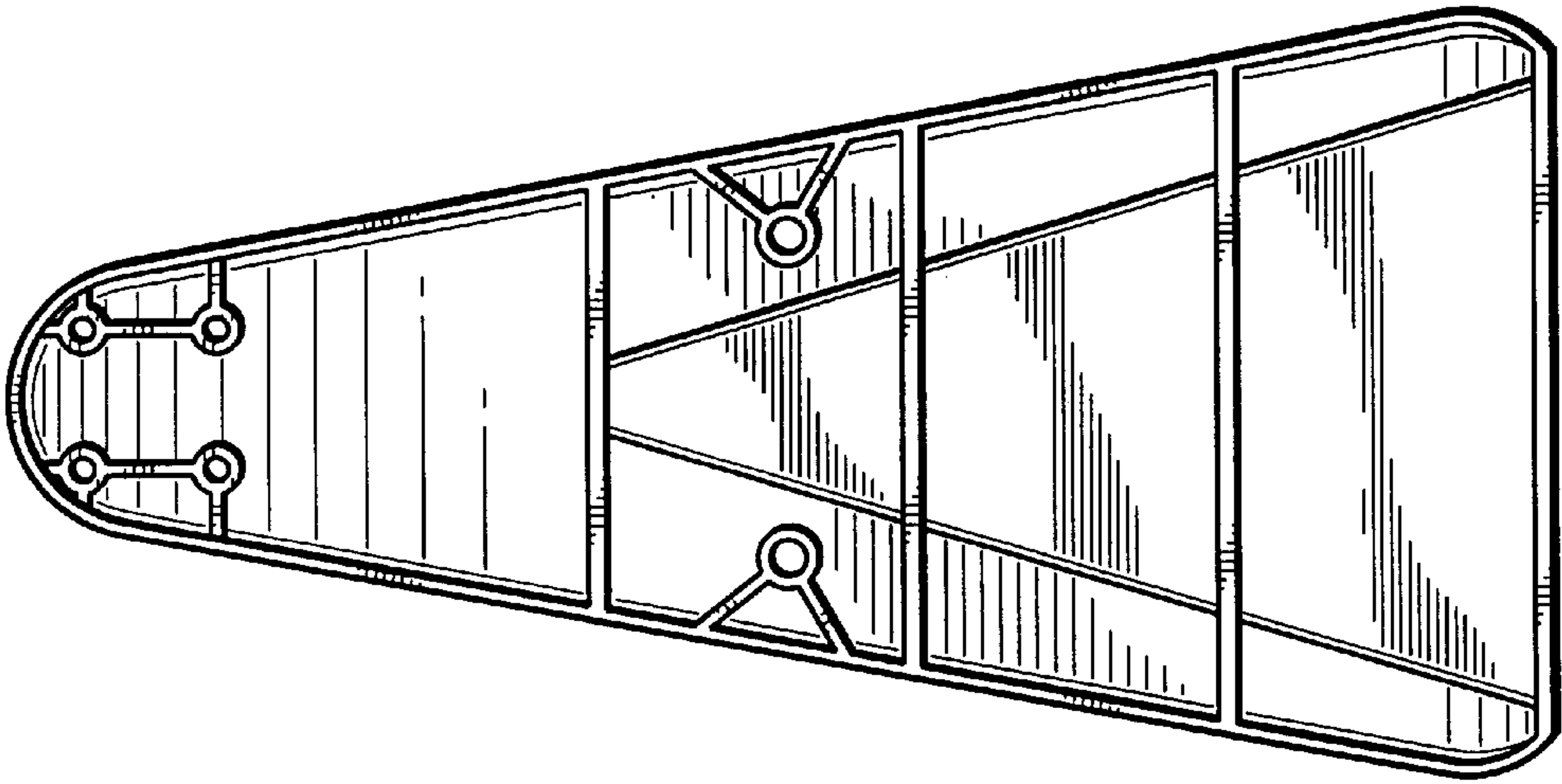


FIG. 3

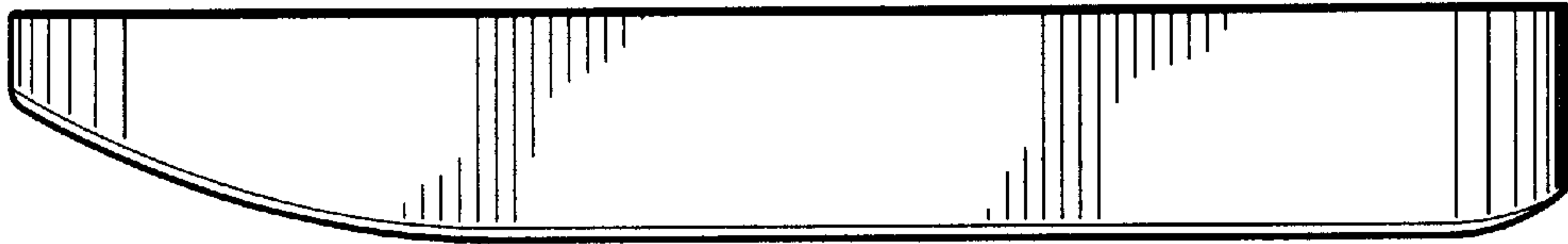


FIG. 2

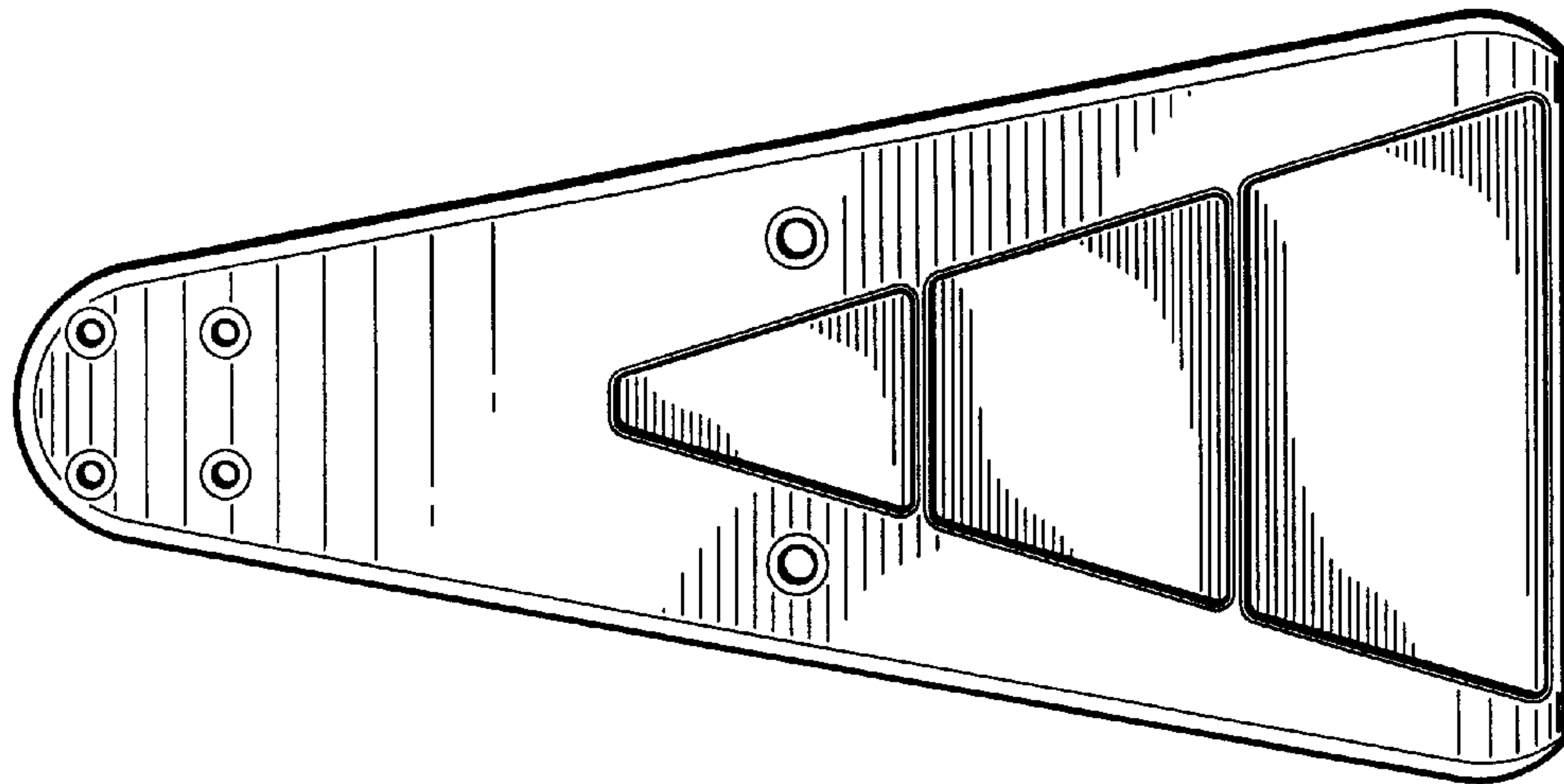


FIG. 1



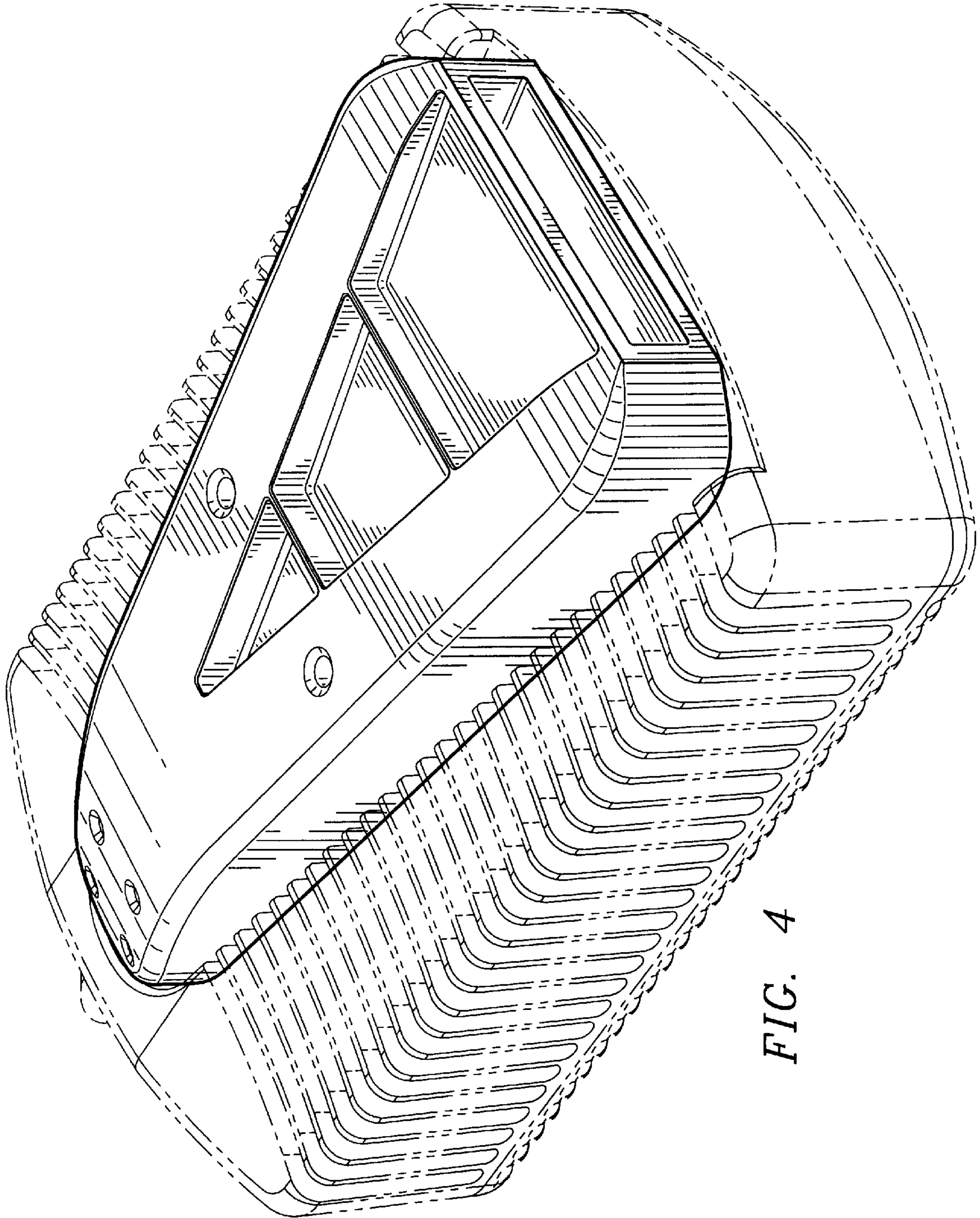


FIG. 4