



US00D435250S

# United States Patent [19]

[11] Patent Number: **Des. 435,250**

Mackie et al.

[45] Date of Patent: **\*\* Dec. 19, 2000**

[54] MIXER

D. 325,737	4/1992	Ito et al.	.....	D14/217
D. 326,454	5/1992	Ito et al.	.....	D14/162
D. 340,931	11/1993	Ito et al.	.....	D14/217
5,444,789	8/1995	Zampini et al.	.....	381/119

[75] Inventors: **Greg C. Mackie**, Kirkland; **Charles T. Jensen**, Monroe, both of Wash.

[73] Assignee: **Mackie Designs, Inc.**, Woodinville, Wash.

*Primary Examiner*—Lucy Lieberman  
*Attorney, Agent, or Firm*—Weiss, Jensen, Ellis & Howard

[\*\*] Term: **14 Years**

### [57] CLAIM

[21] Appl. No.: **29/045,447**

The ornamental design for a mixer, as shown and described.

[22] Filed: **Oct. 19, 1995**

### DESCRIPTION

[51] LOC (7) Cl. .... **14-01**

FIG. 1 is a top plan view showing the new design;

[52] U.S. Cl. .... **D14/217**

FIG. 2 is a rear elevation thereof;

[58] Field of Search ..... D14/217, 124,  
D14/161, 162, 167, 239, 260; 381/28, 119,  
103; 379/202; 358/335

FIG. 3 is a front elevation thereof;

FIG. 4 is a bottom plan view thereof;

FIG. 5 is a left side elevation of the mixer, the right side of the mixer is a mirror image thereto except for the appearance of the buttons and control knobs that protrude from the top and rear of the mixer; and,

FIG. 6 is a perspective view thereof.

The indicia on the top of the mixer has been omitted in FIG. 3 for ease of illustration.

### [56] References Cited

#### U.S. PATENT DOCUMENTS

D. 325,204	4/1992	Ito et al.	.....	D14/162
D. 325,383	4/1992	Ito et al.	.....	D14/217
D. 325,580	4/1992	Ito et al.	.....	D14/217

**1 Claim, 4 Drawing Sheets**

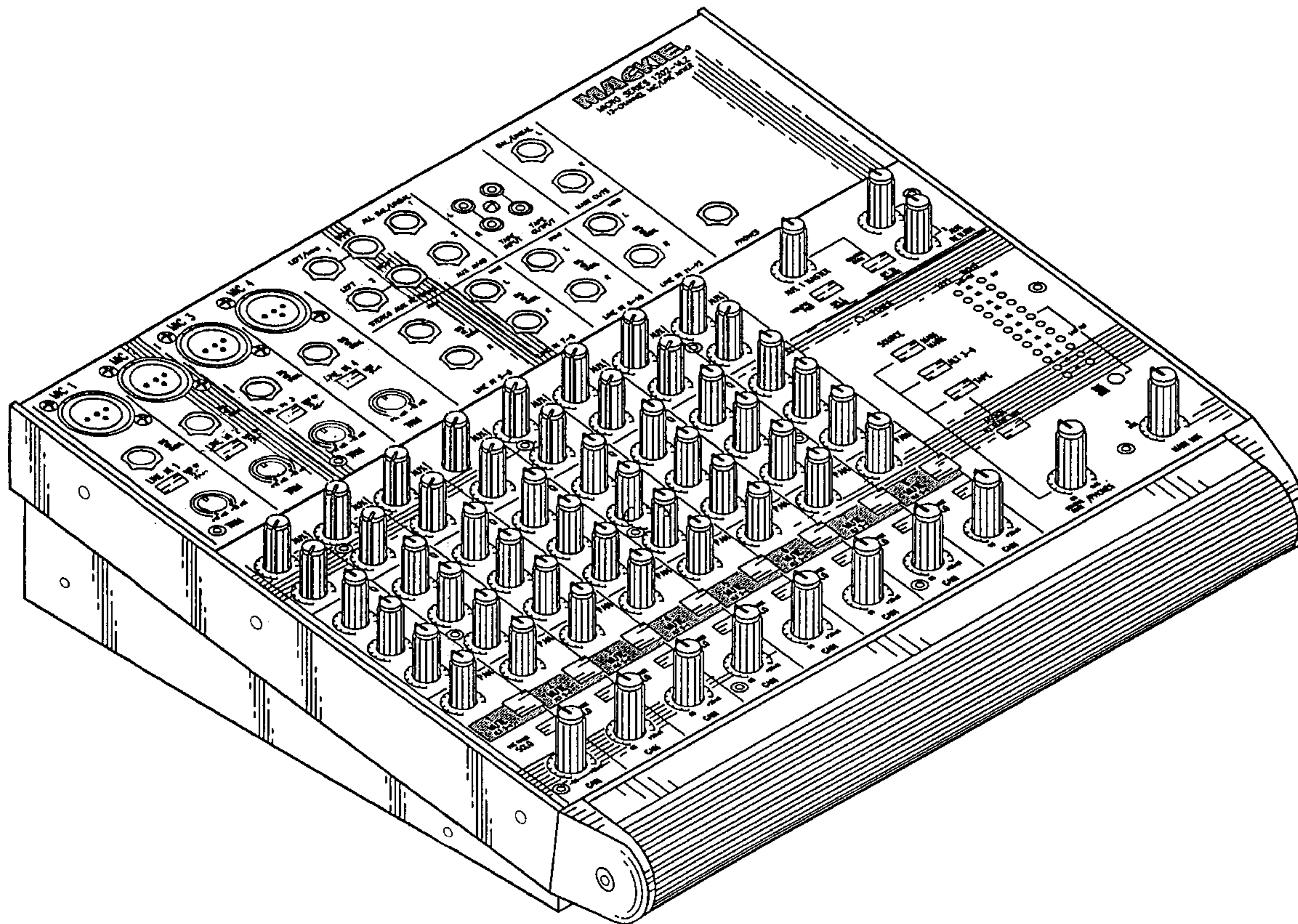




FIG. 1

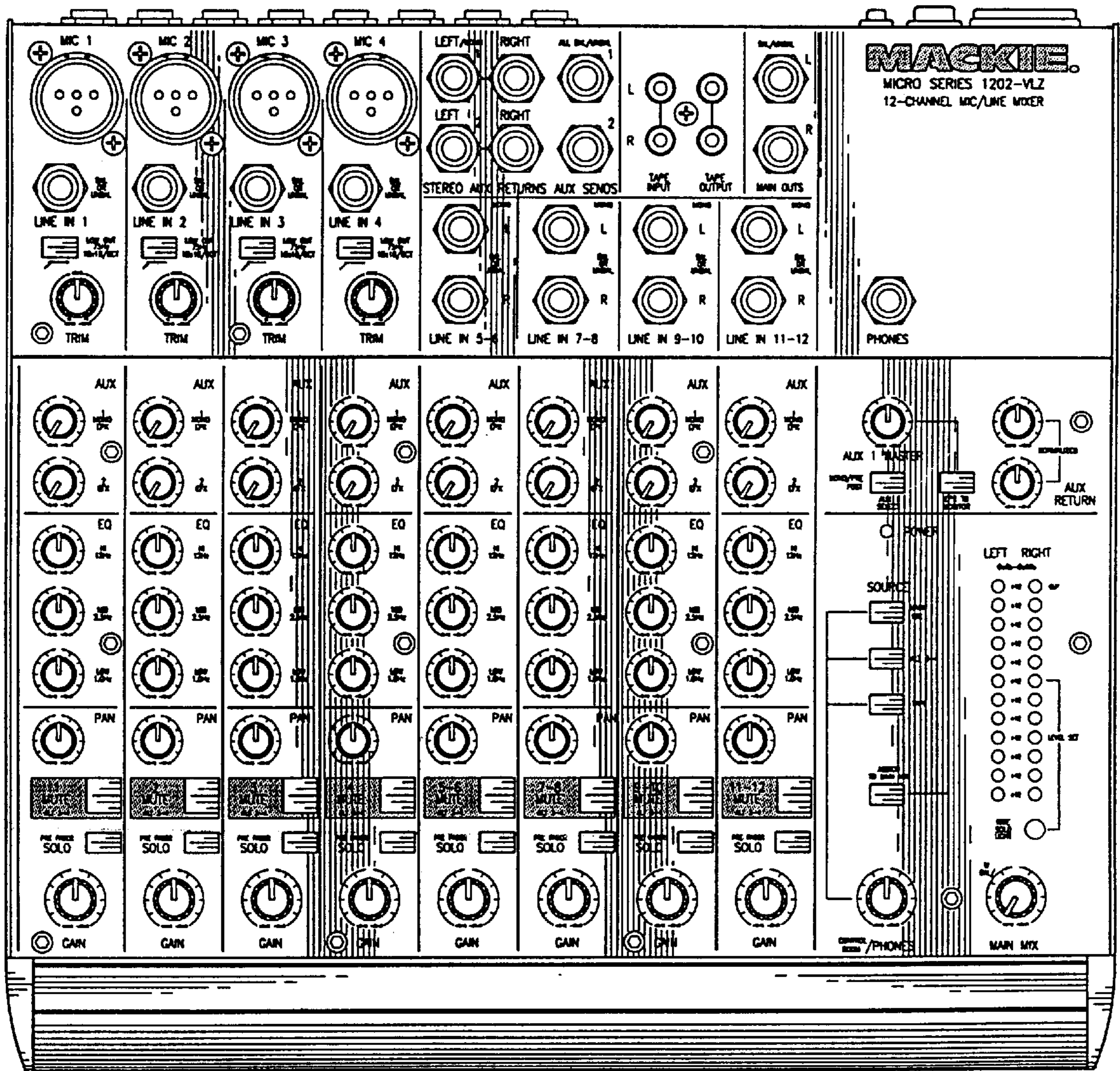


FIG. 2

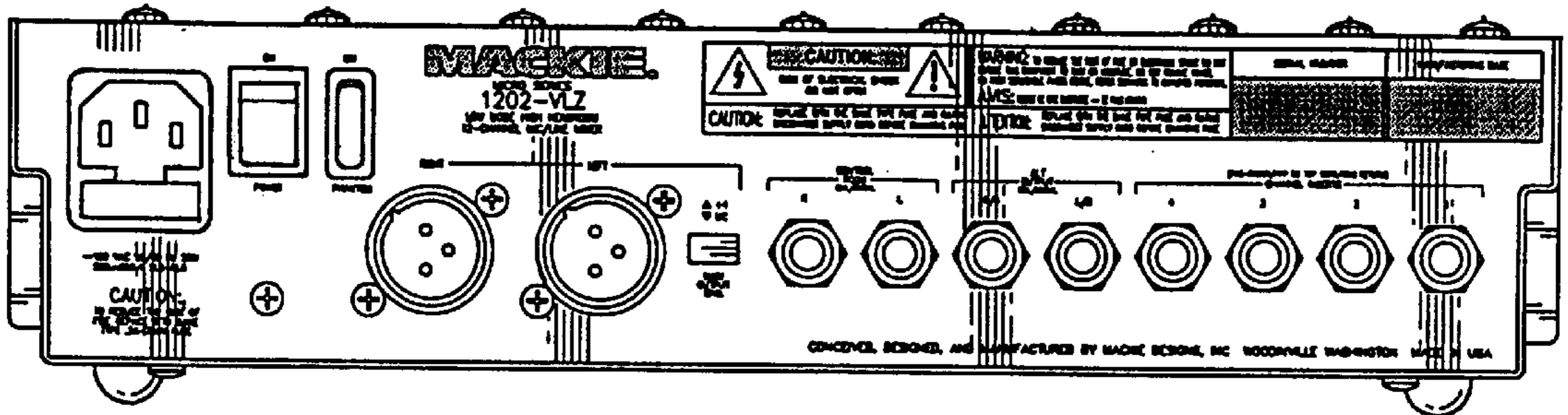


FIG. 3

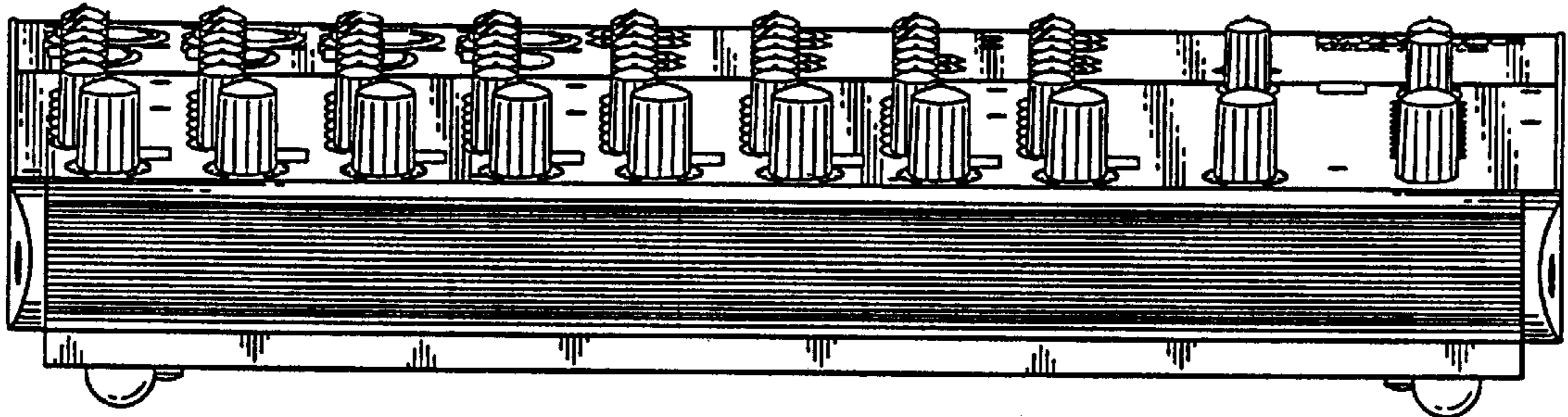


FIG. 5

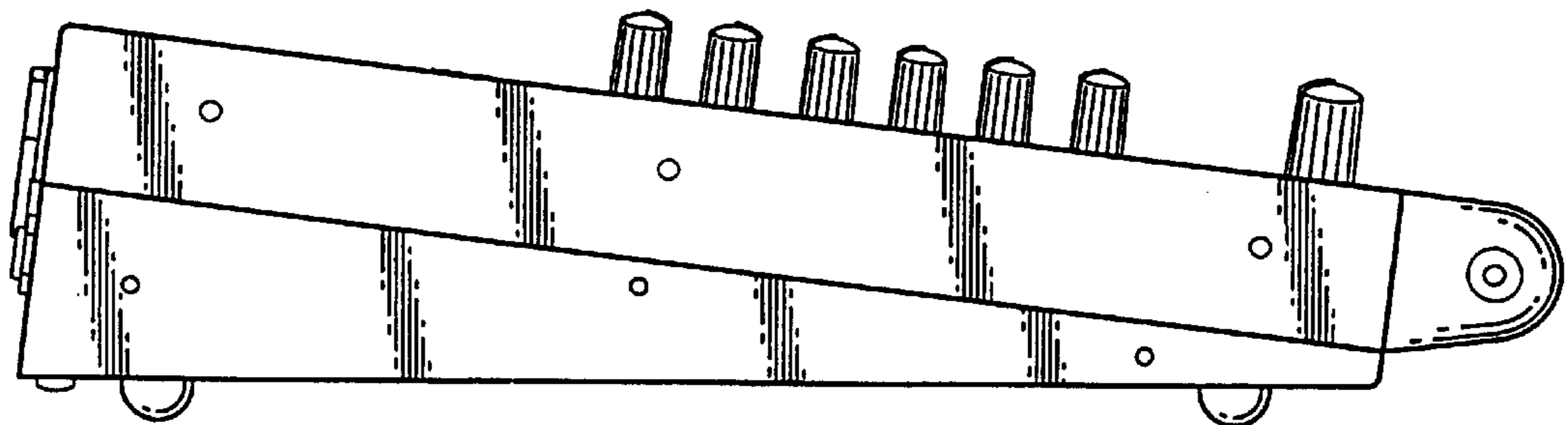
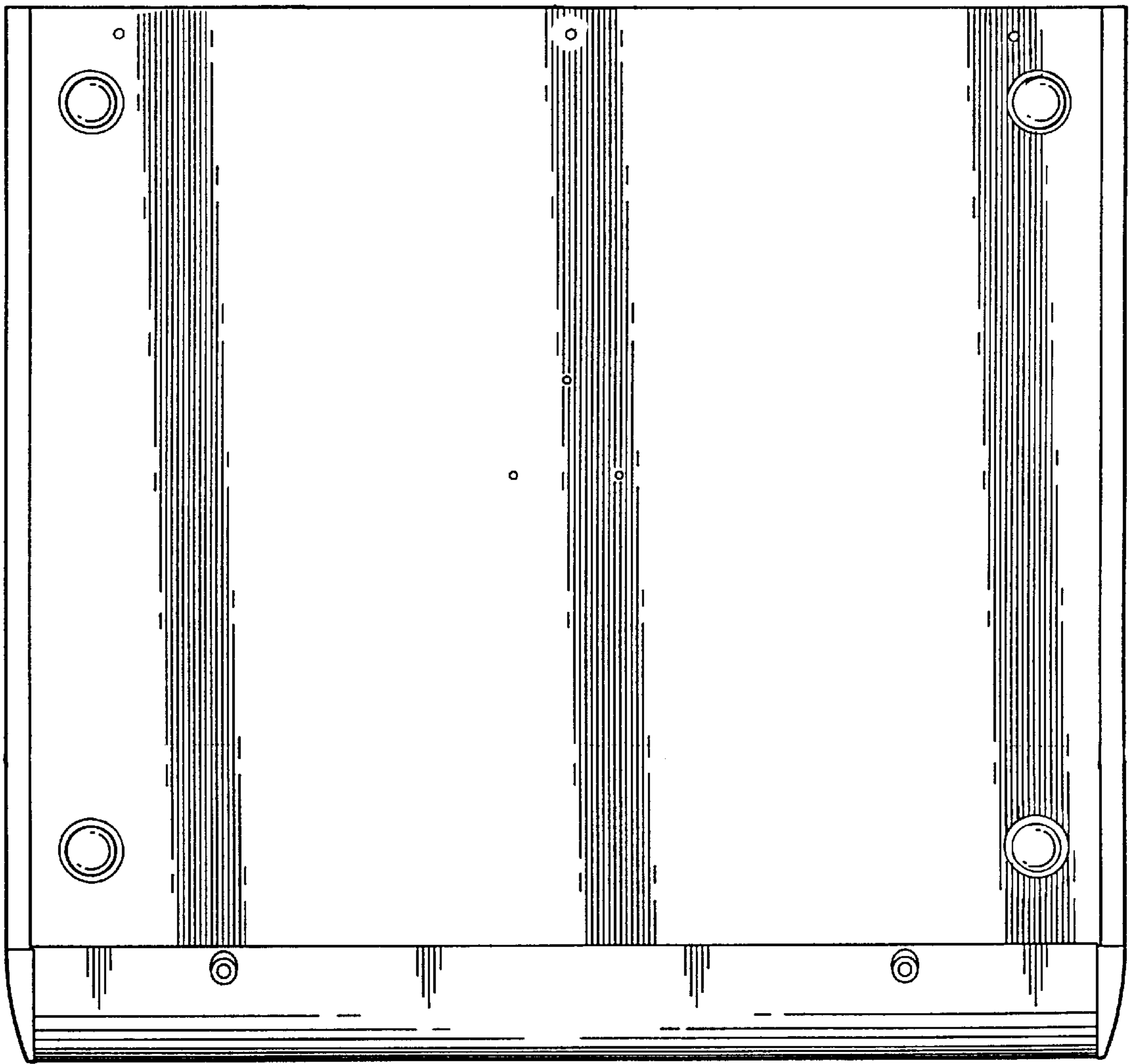


FIG. 4





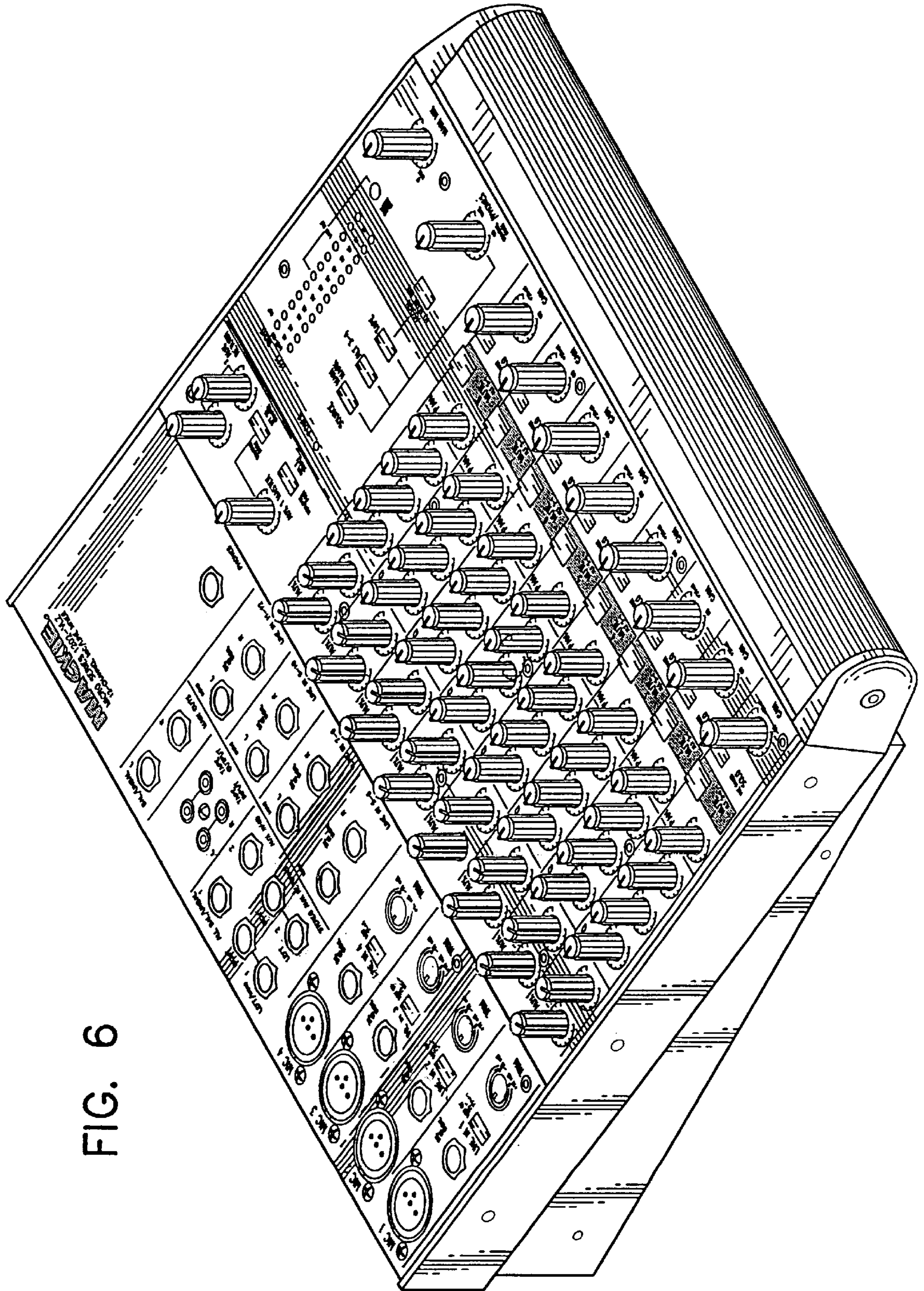


FIG. 6