



US00D435249S

# United States Patent [19] Yasutomi

[11] **Patent Number: Des. 435,249**

[45] **Date of Patent: \*\* Dec. 19, 2000**

[54] **HEADPHONE**

[75] Inventor: **Hiroshi Yasutomi**, Tokyo, Japan

[73] Assignee: **Sony Corporation**, Japan

[\*\*] Term: **14 Years**

[21] Appl. No.: **29/082,907**

[22] Filed: **Jan. 30, 1998**

[51] **LOC (7) Cl.** ..... **14-01**

[52] **U.S. Cl.** ..... **D14/205**

[58] **Field of Search** ..... D14/192, 205,  
D14/206, 223, 224, 249; 181/129, 130,  
137; 379/430, 431, 444

[56] **References Cited**

**U.S. PATENT DOCUMENTS**

D. 246,242	11/1977	Bellini	.....	D14/205
D. 254,183	2/1980	Doodson	.....	D14/205
D. 358,390	5/1995	Hayashi	.....	D14/205
D. 376,598	12/1996	Hayashi	.....	D14/205 X
D. 381,987	8/1997	Tsuge	.....	D14/205
3,073,410	1/1963	Gongoll et al.	.....	181/129
5,406,037	4/1995	Nageno et al.	.....	181/129

**OTHER PUBLICATIONS**

Sony Catalog 87, pp. 257, Nov. 1997.

*Primary Examiner*—Nanda Bondade

*Attorney, Agent, or Firm*—Rader, Fishman&Grauer

[57] **CLAIM**

The ornamental design for a headphone, as shown and described.

**DESCRIPTION**

FIG. 1 is a perspective view of a first embodiment of a headphone showing my new design;

FIG. 2 is a top plan view thereof;

FIG. 3 is a left side elevational view thereof, a right side elevational view being a mirror image;

FIG. 4 is a front elevational view thereof;

FIG. 5 is a bottom plan view thereof;

FIG. 6 is a rear elevational view thereof;

FIG. 7 is a perspective view of a second embodiment of a headphone showing my new design;

FIG. 8 is a top plan view thereof;

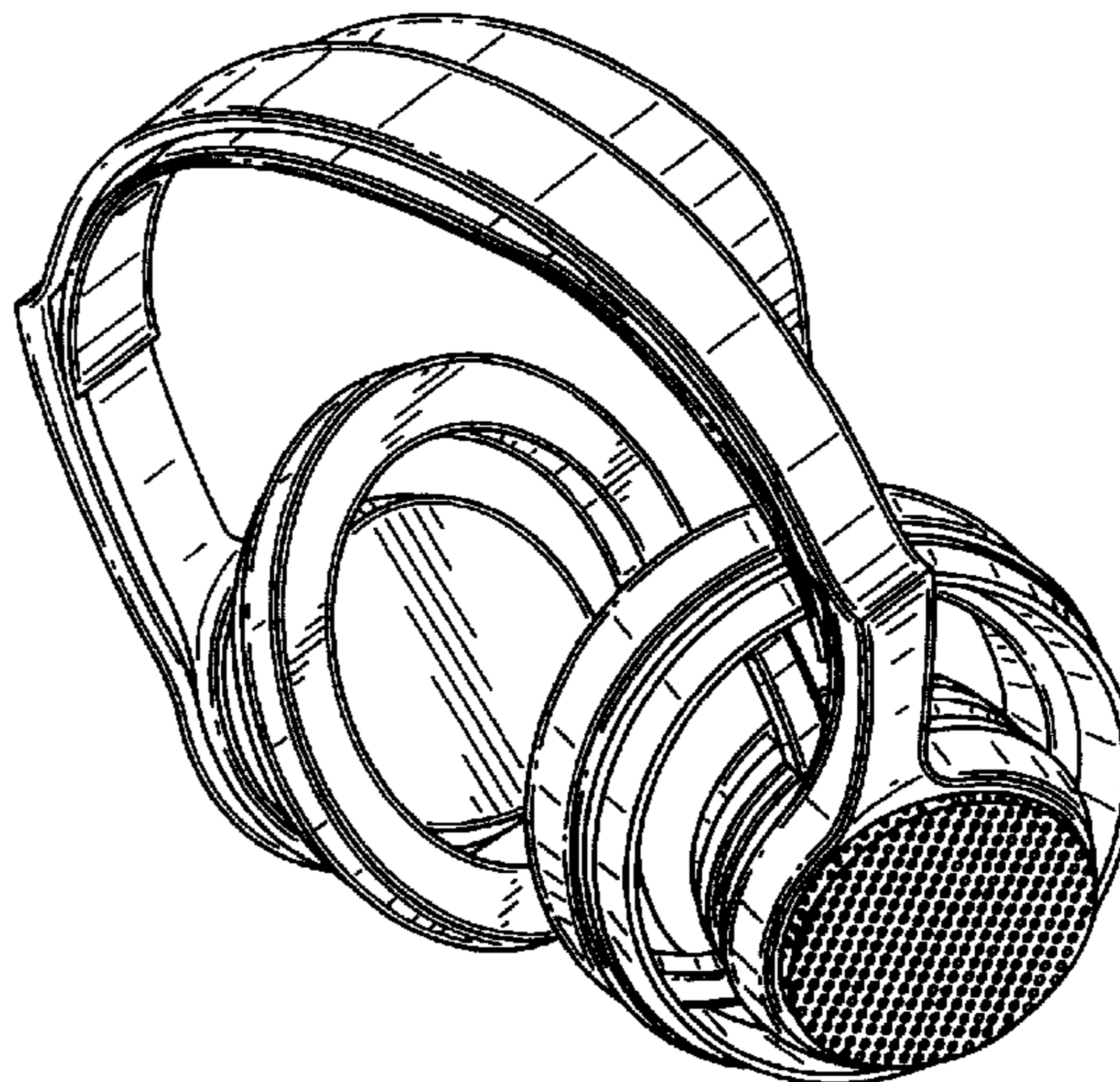
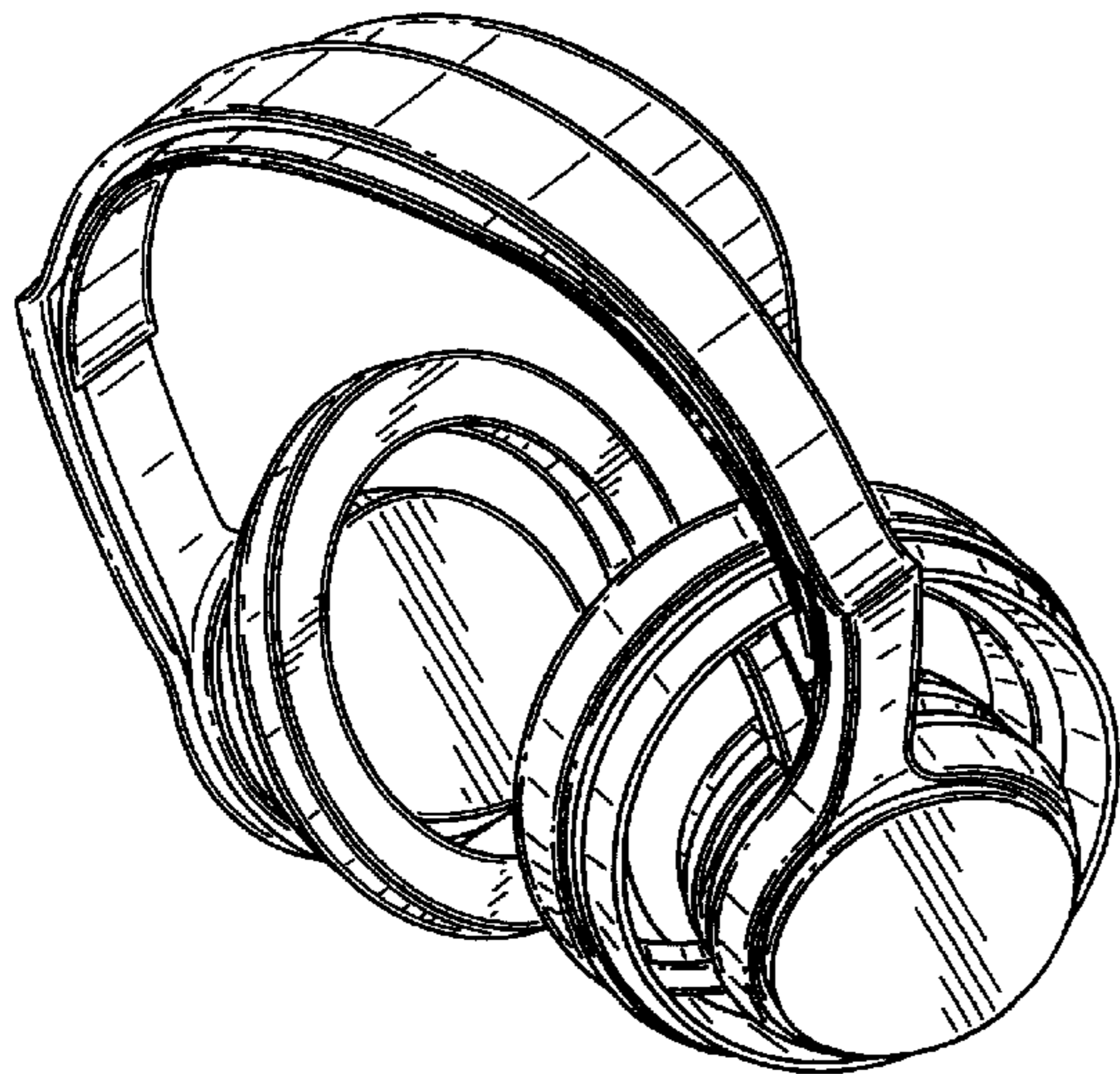
FIG. 9 is a left side elevational view thereof, a right side elevational view thereof being a mirror image;

FIG. 10 is a front elevational view thereof;

FIG. 11 is a bottom plan view thereof; and,

FIG. 12 is a rear elevational view thereof.

**1 Claim, 8 Drawing Sheets**



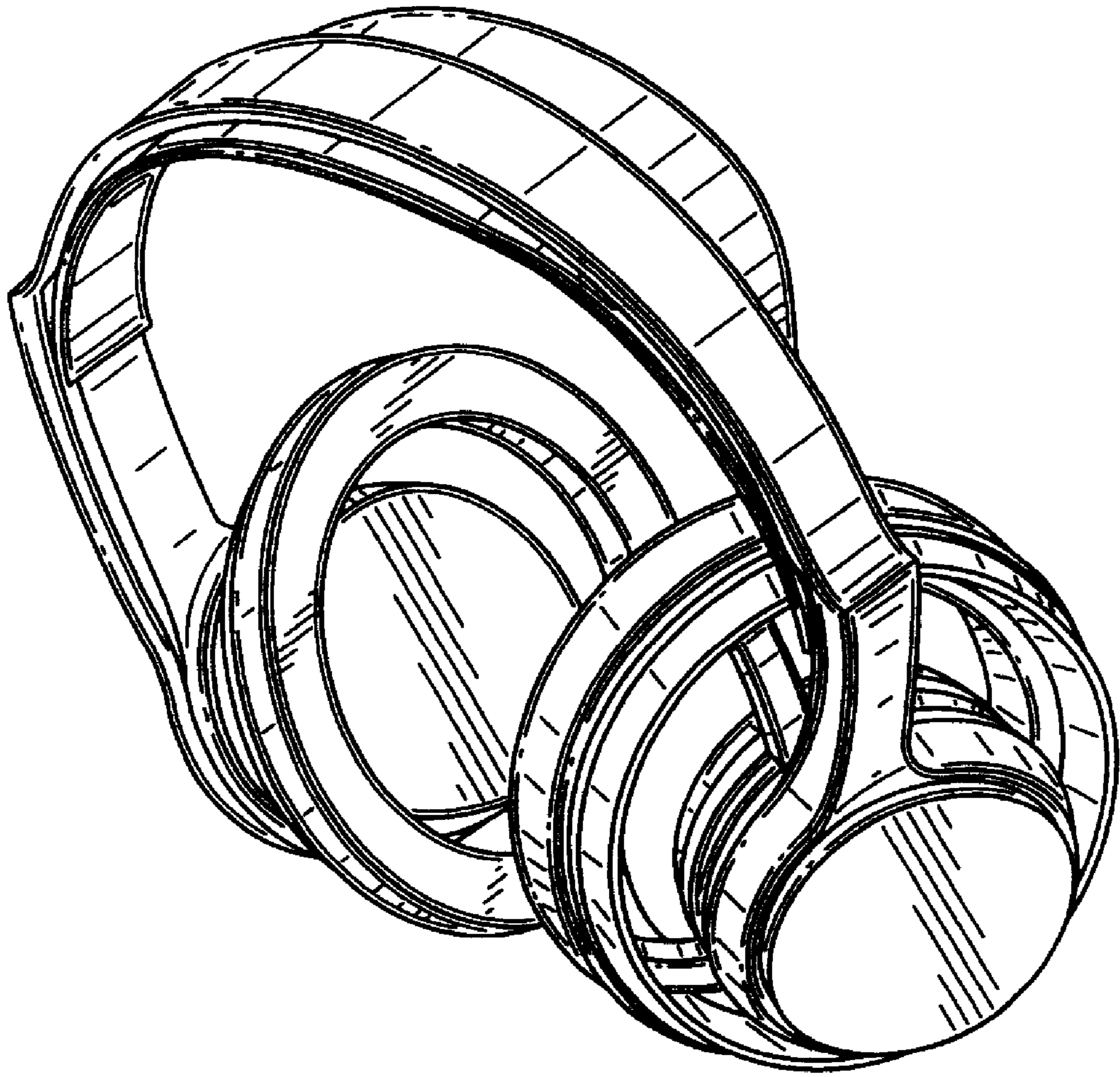


FIG. 1

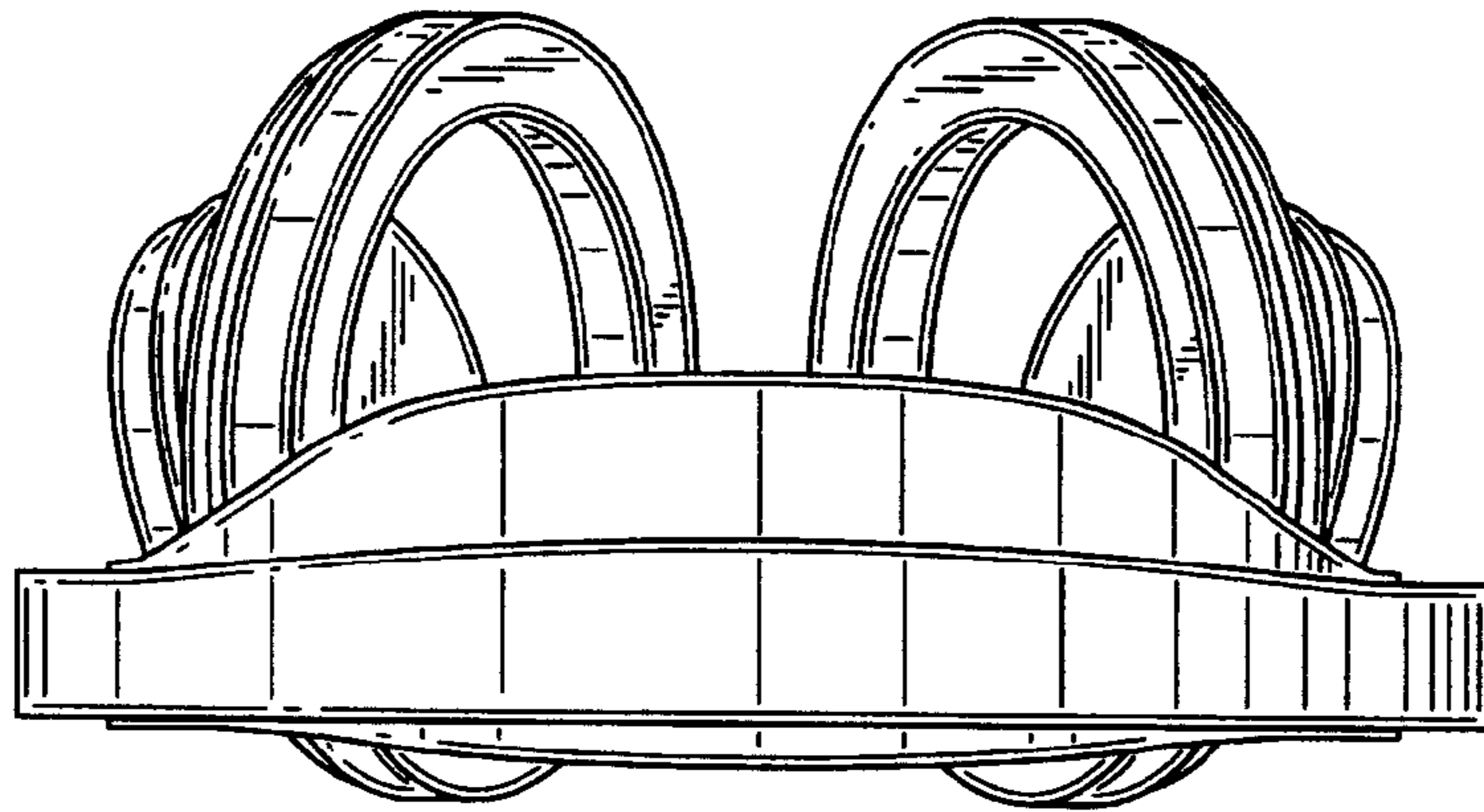


FIG. 2

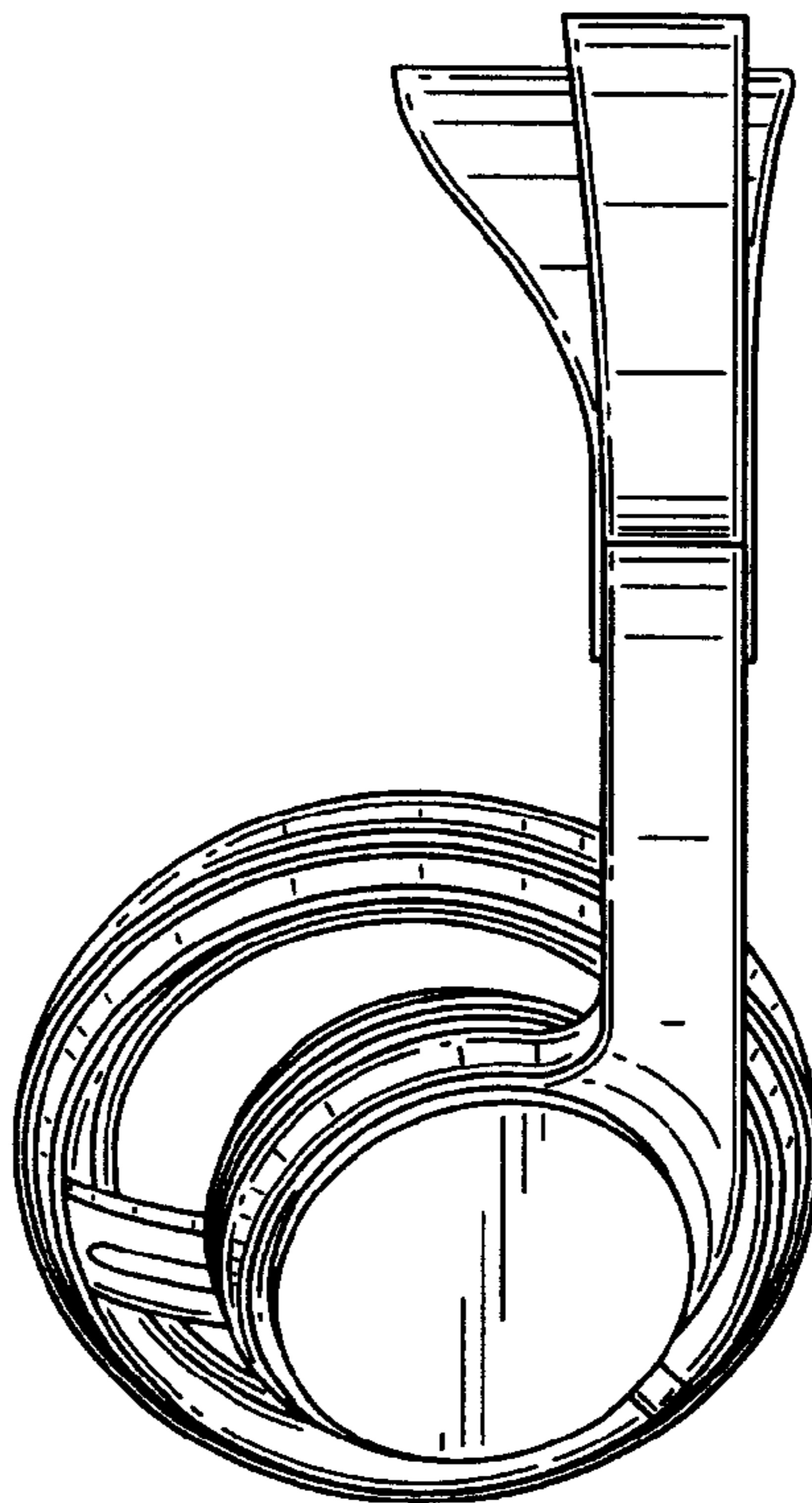


FIG. 3





FIG. 4

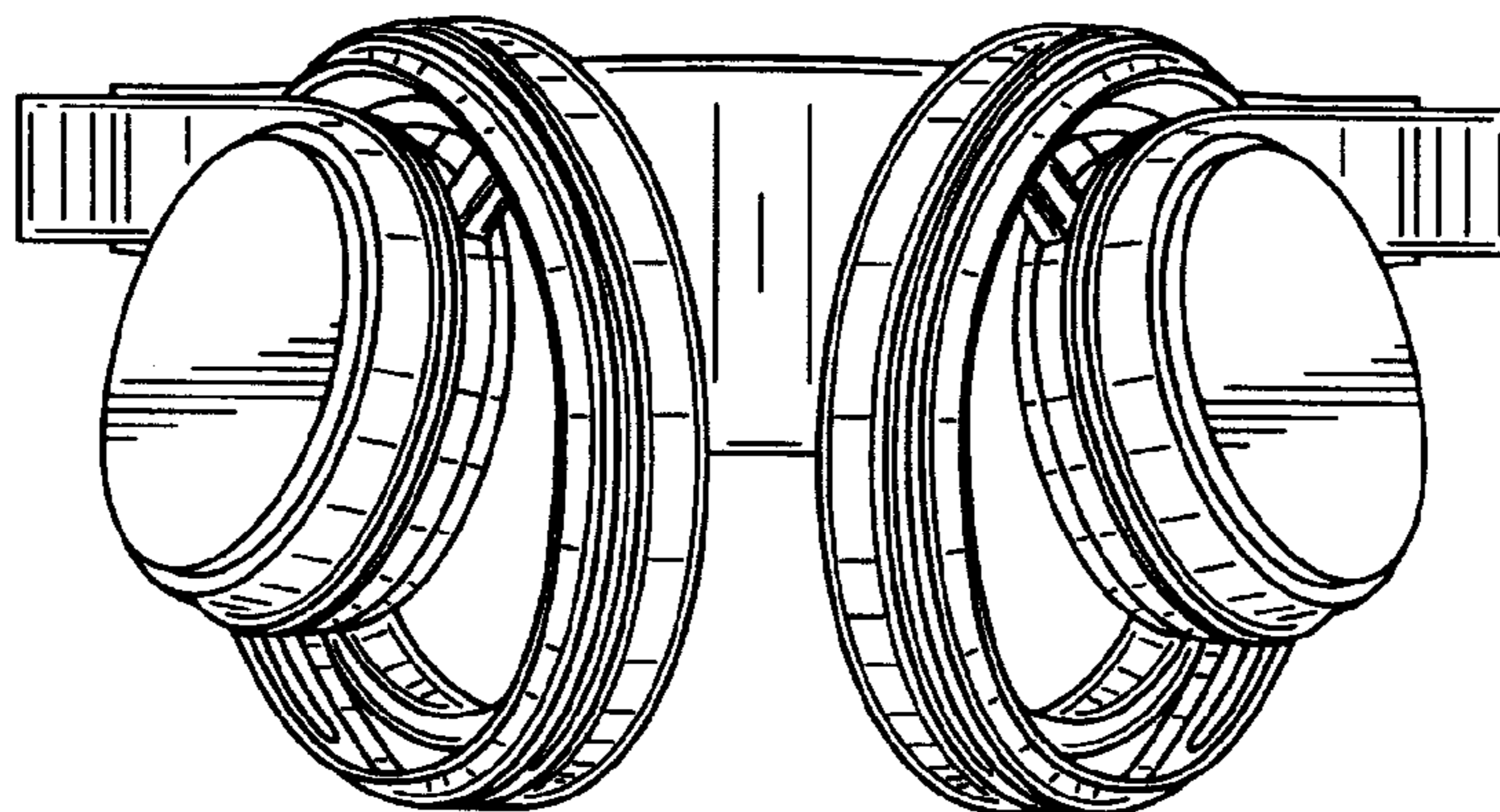


FIG. 5



FIG. 6

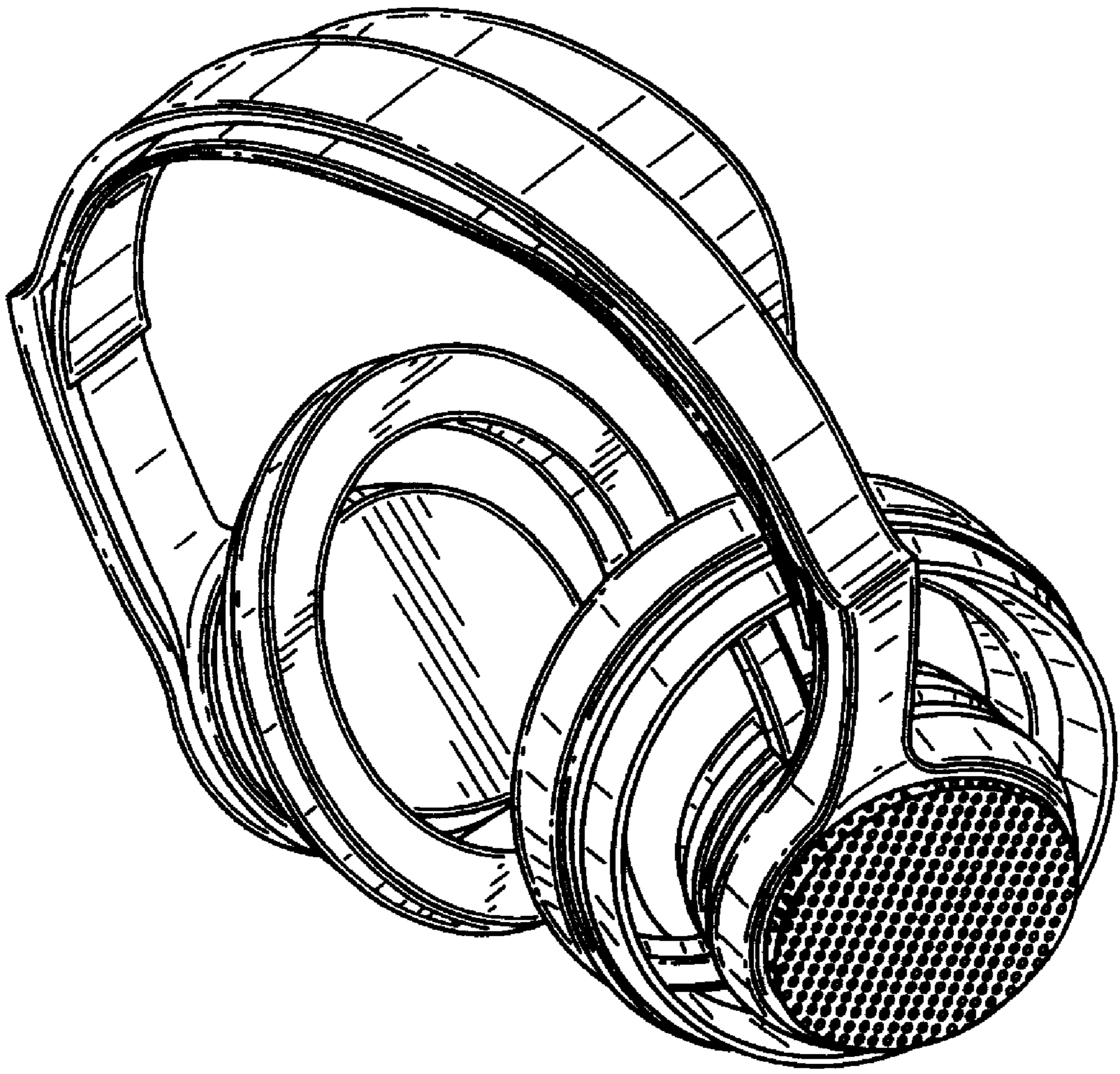


FIG. 7

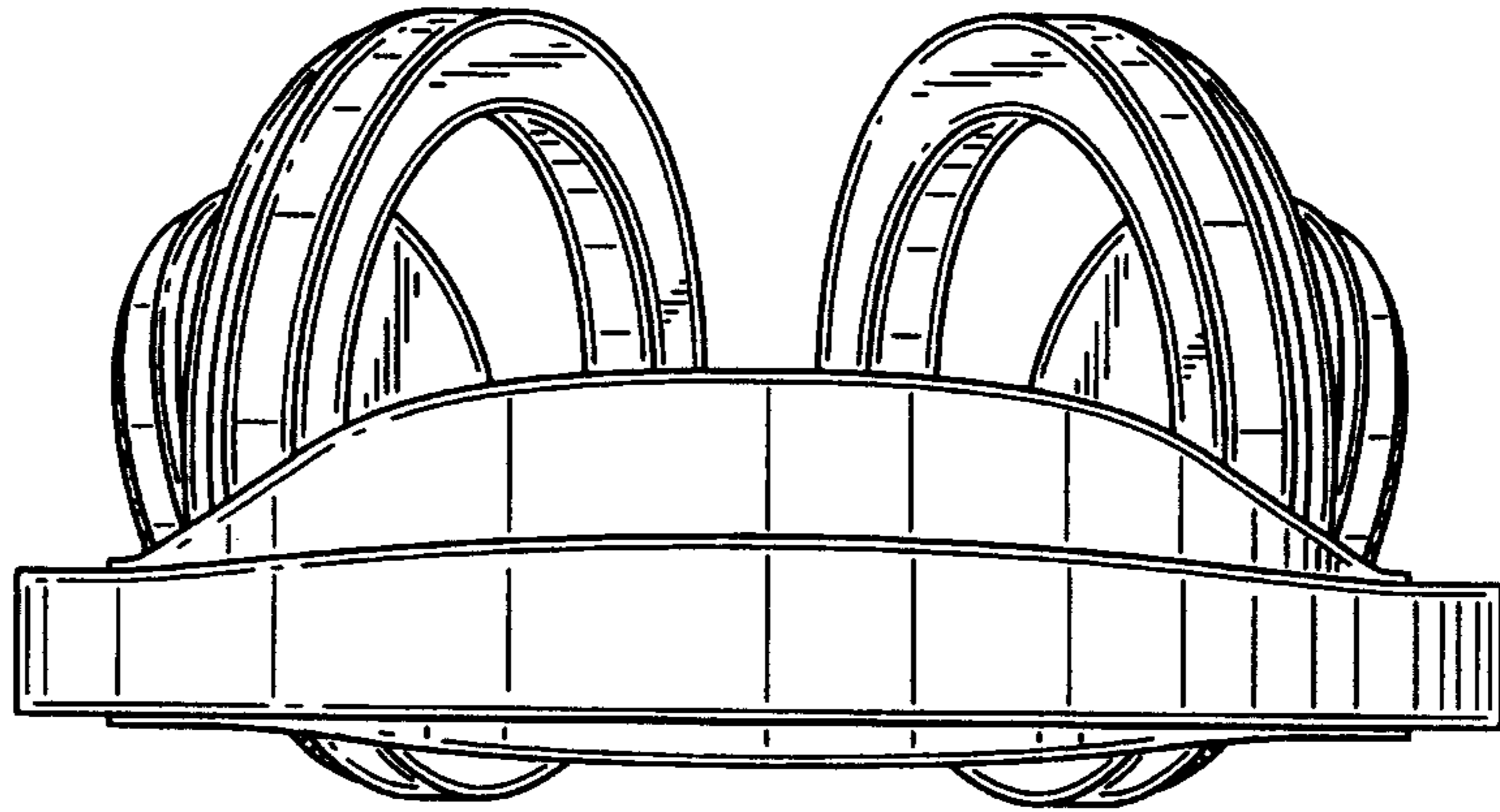


FIG. 8

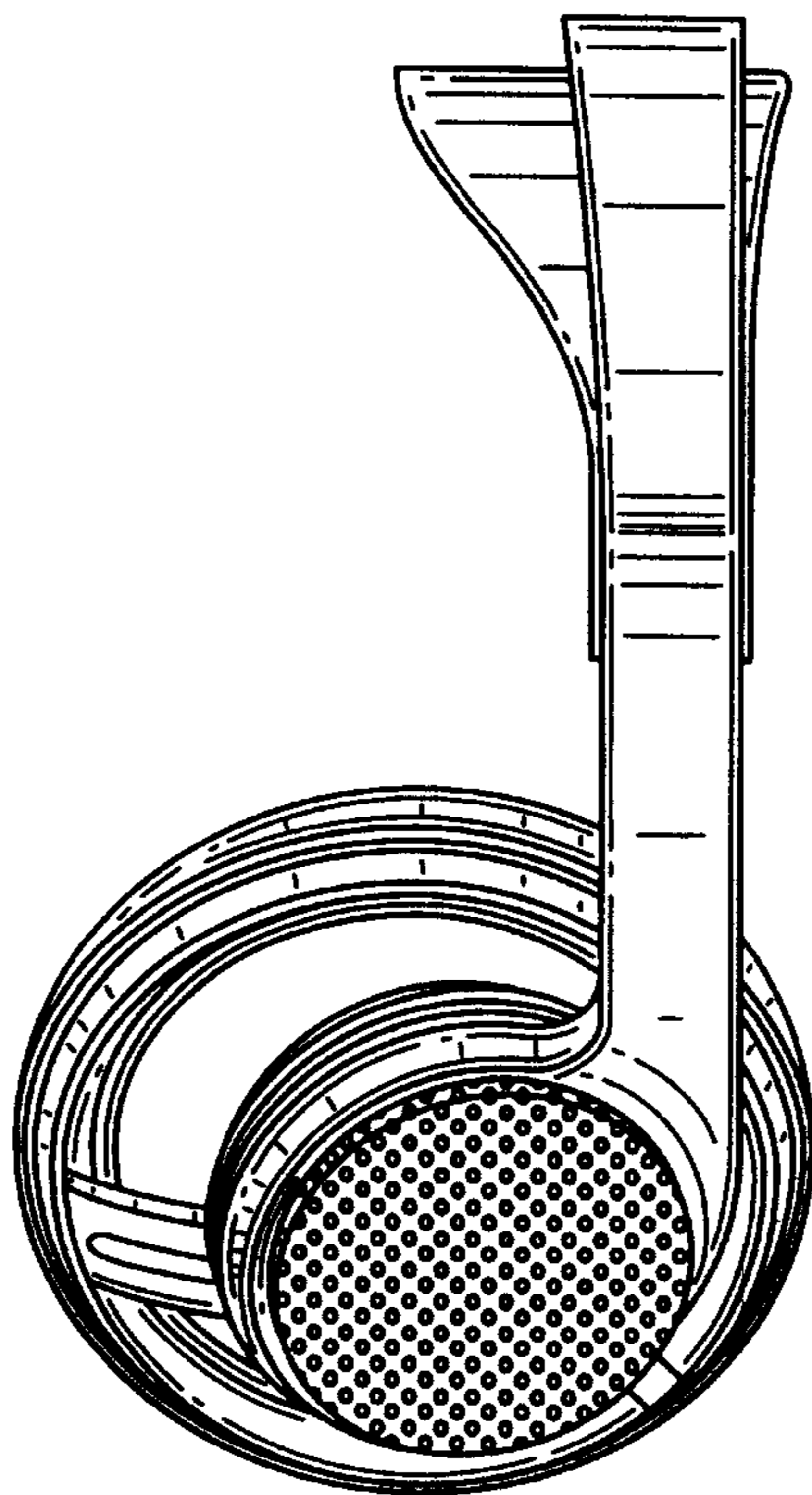


FIG. 9





FIG. 10

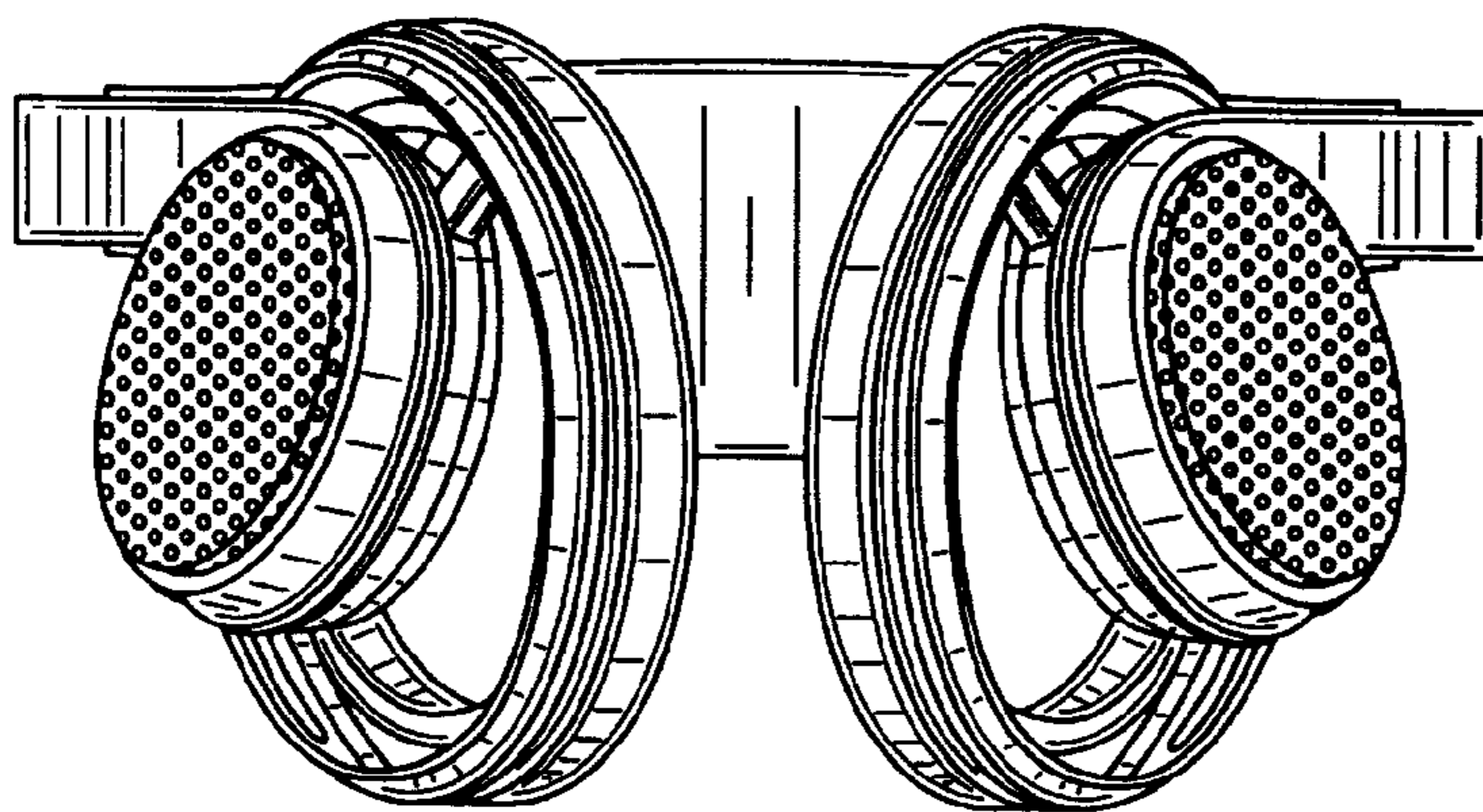


FIG. 11





FIG. 12