



US00D435246S

# United States Patent [19]

De brey et al.

[11] Patent Number: Des. 435,246

[45] Date of Patent: \*\* Dec. 19, 2000

[54] SURFACE MOUNT BOX

[75] Inventors: Robert J. De brey, Edina; Nhep Ponharith, Burnsville, both of Minn.

[73] Assignee: ADC Telecommunications, Inc., Minnetonka, Minn.

[\*\*] Term: 14 Years

[21] Appl. No.: 29/103,338

[22] Filed: Apr. 13, 1999

[51] LOC (7) Cl. .... 13-03

[52] U.S. Cl. .... D13/152

[58] Field of Search ..... D13/152, 184, D13/156; D8/353; 220/3.2, 3.3, 3.5, 3.8, 241; 174/48, 53, 55, 58, 66, 67

[56] **References Cited**

**U.S. PATENT DOCUMENTS**

D. 348,825	7/1994	Below .	
D. 406,047	2/1999	Scherer et al. .	
5,486,650	1/1996	Yetter .....	174/53
5,682,017	10/1997	Marrotte .....	174/53
5,942,724	8/1999	Russo et al. ....	174/48
5,998,732	12/1999	Caveney et al. ....	174/48

**OTHER PUBLICATIONS**

MOD-TAP Product and Applications Guide pages—front cover page, binding, pp. C through C-15, and back cover page, dated 1997.

Anixter Structured Cabling Solutions Catalog pages—front cover page, pp. 1-81 through 1-87, and back cover page, dated 1996.

Superior Modular Products catalog pages—front cover page, pp. 21-33, Visio Network Equipment advertisement page, and back cover page.

Hubbell Premise Wiring Full Line Catalog 2200 pages—front cover page, pp. 40-57, two information pages, and back cover page.

The Siemon Company Catalog pages—front cover page, pp. 1-20 through 1-21, and back cover page, dated 1997.

Lucent Technologies SYSTIMAX® Product Guide pages—front cover page, pp. 6-9 through 6-19, and back cover page, dated Jan. 1998.

Panduit Communications Products Catalog, front cover page and pp. B1-B30, dated 1998.

ADC Telecommunications brochure entitled “Enterprise™ 5000E Multimedia Outlets,” 12 pages, dated Oct. 1998.

*Primary Examiner*—Joel Sincavage

*Attorney, Agent, or Firm*—Merchant & Gould P.C.

[57] **CLAIM**

The ornamental design for a surface mount box, as shown and described.

**DESCRIPTION**

FIG. 1 is a perspective view of a surface mount box showing our new design;

FIG. 2 is a front elevational view thereof;

FIG. 3 is a back elevational view thereof;

FIG. 4 is a right elevational side view thereof;

FIG. 5 is a left elevational side view thereof;

FIG. 6 is a top plan view thereof;

FIG. 7 is a bottom plan view thereof;

FIG. 8 is a perspective view of a second embodiment of a surface mount box showing our new design;

FIG. 9 is a front elevational view of the second embodiment;

FIG. 10 is a back elevational view of the second embodiment;

FIG. 11 is a right elevational side view of the second embodiment;

FIG. 12 is a left elevational side view of the second embodiment;

FIG. 13 is a top plan view of the second embodiment; and,

FIG. 14 is a bottom plan view of the second embodiment.

The rear internal portions shown in broken lines are not visible from the front, and are not part of our design.

**1 Claim, 2 Drawing Sheets**

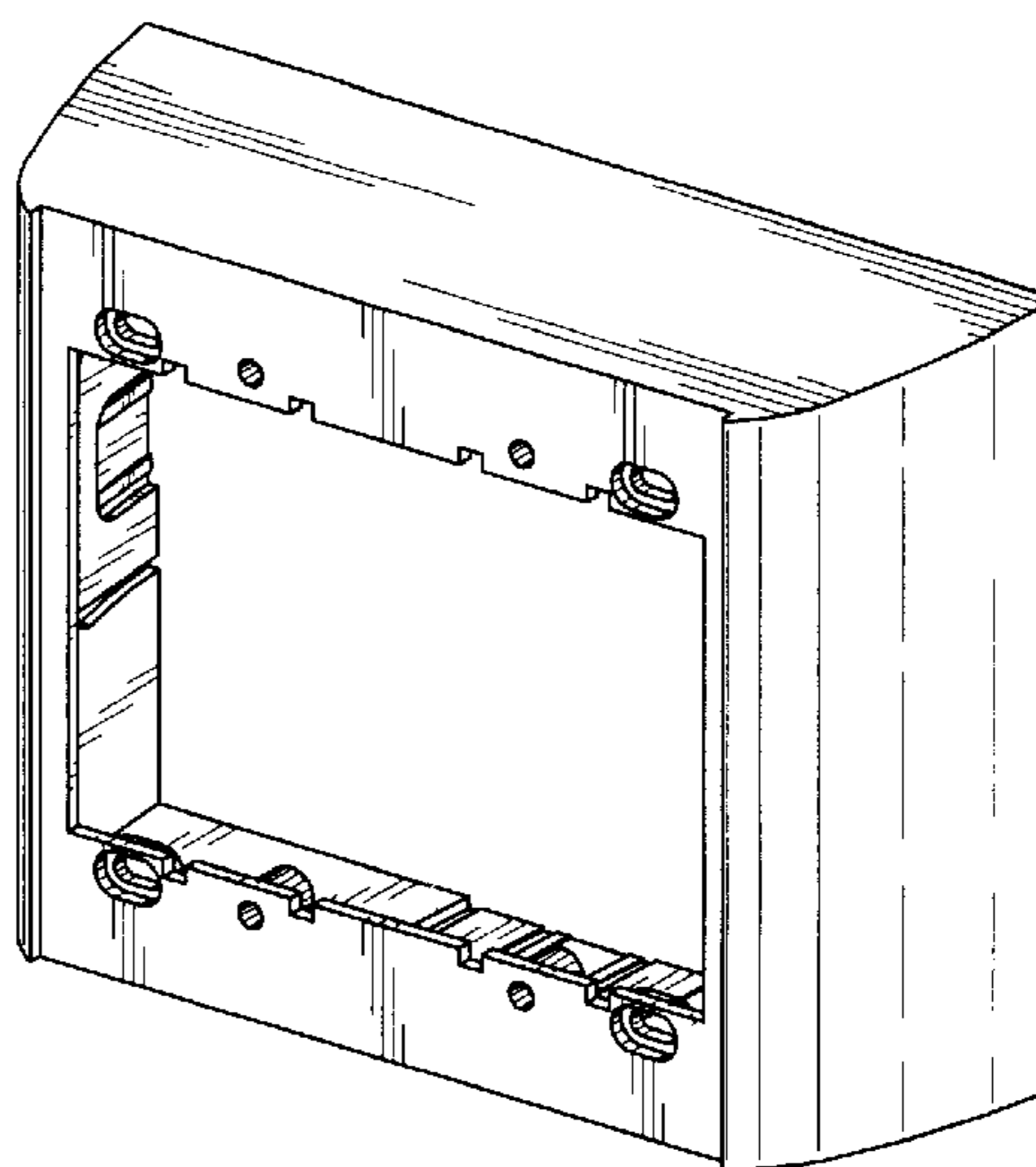
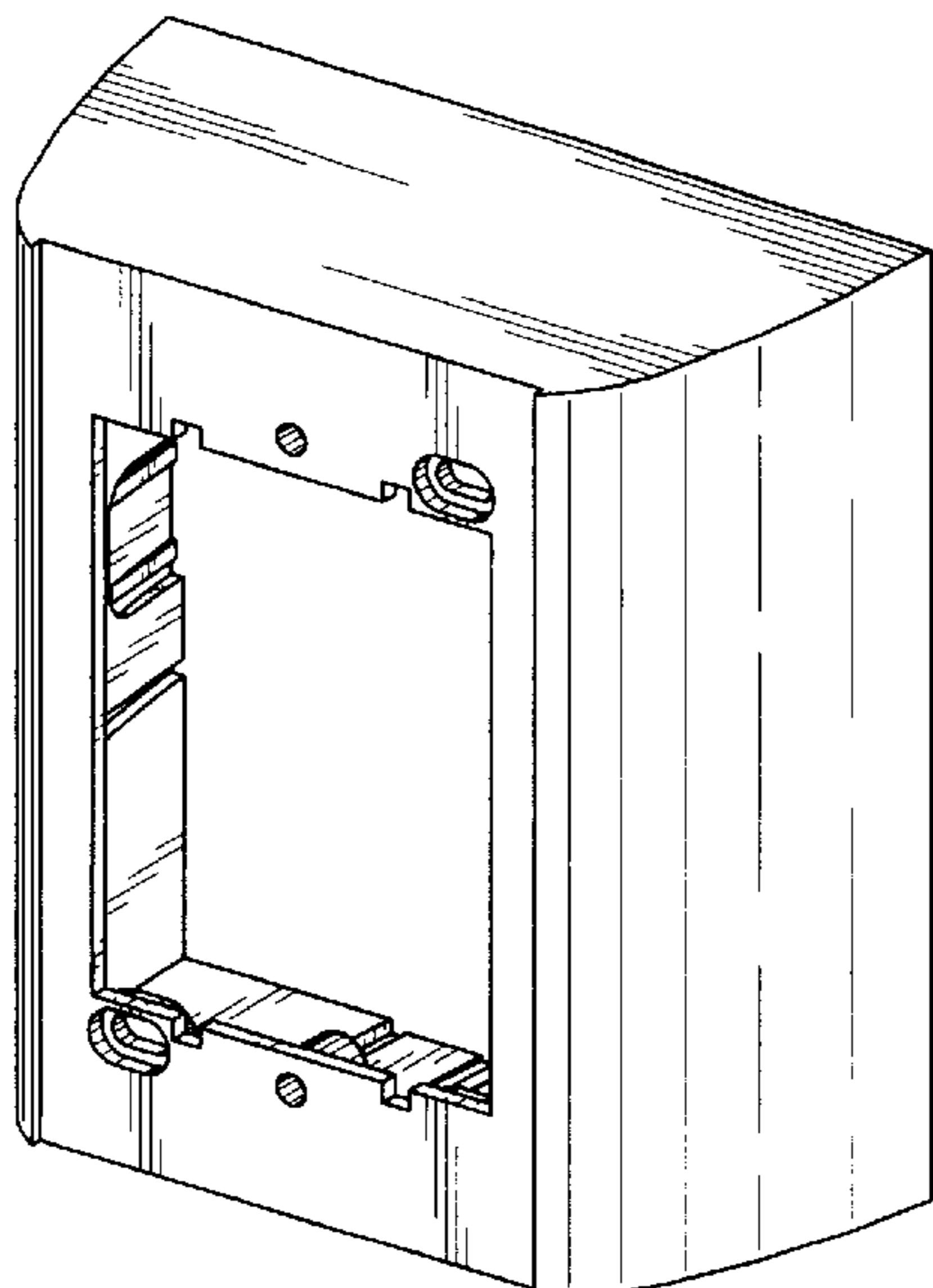


FIG. 1

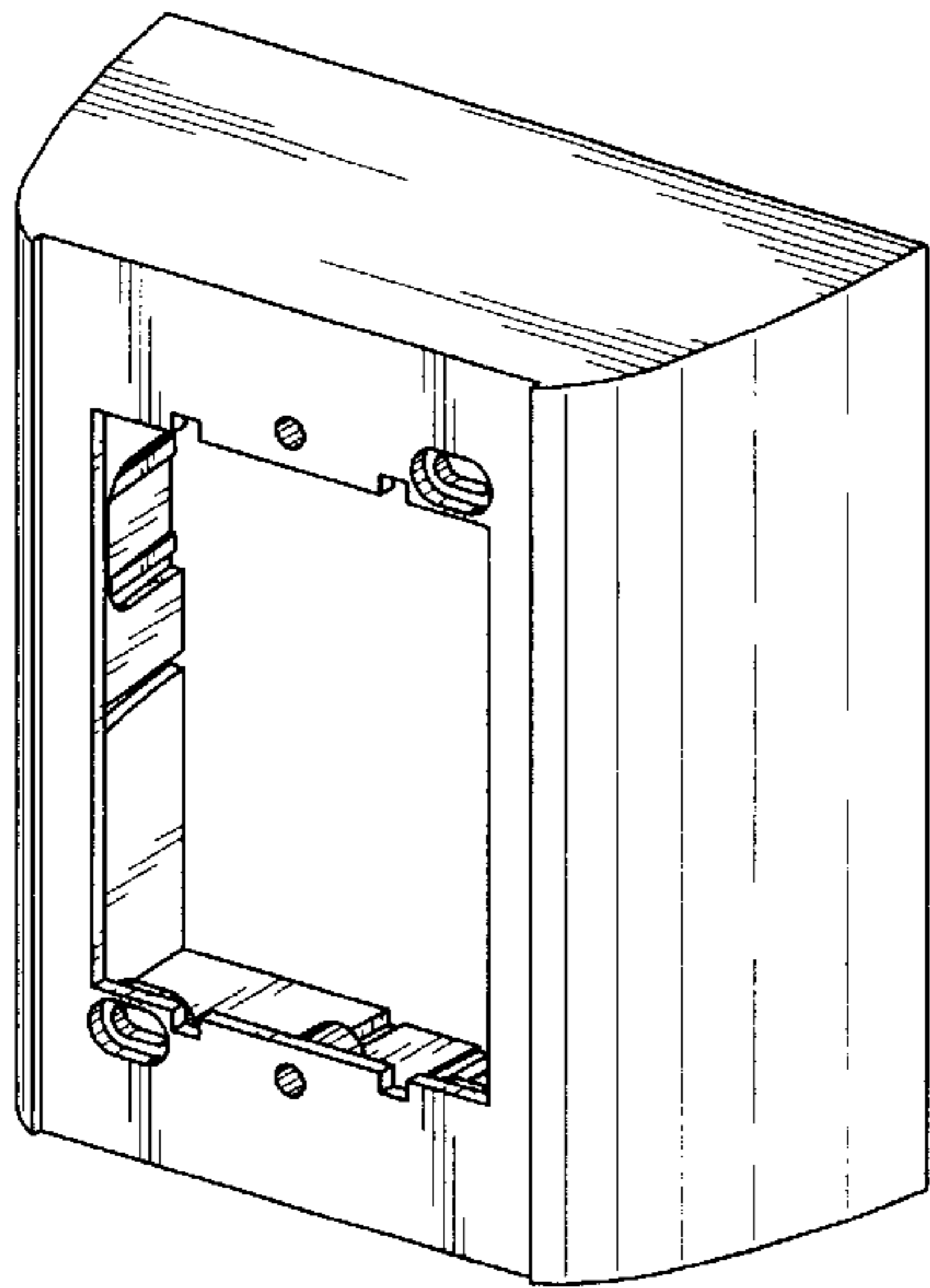


FIG. 3

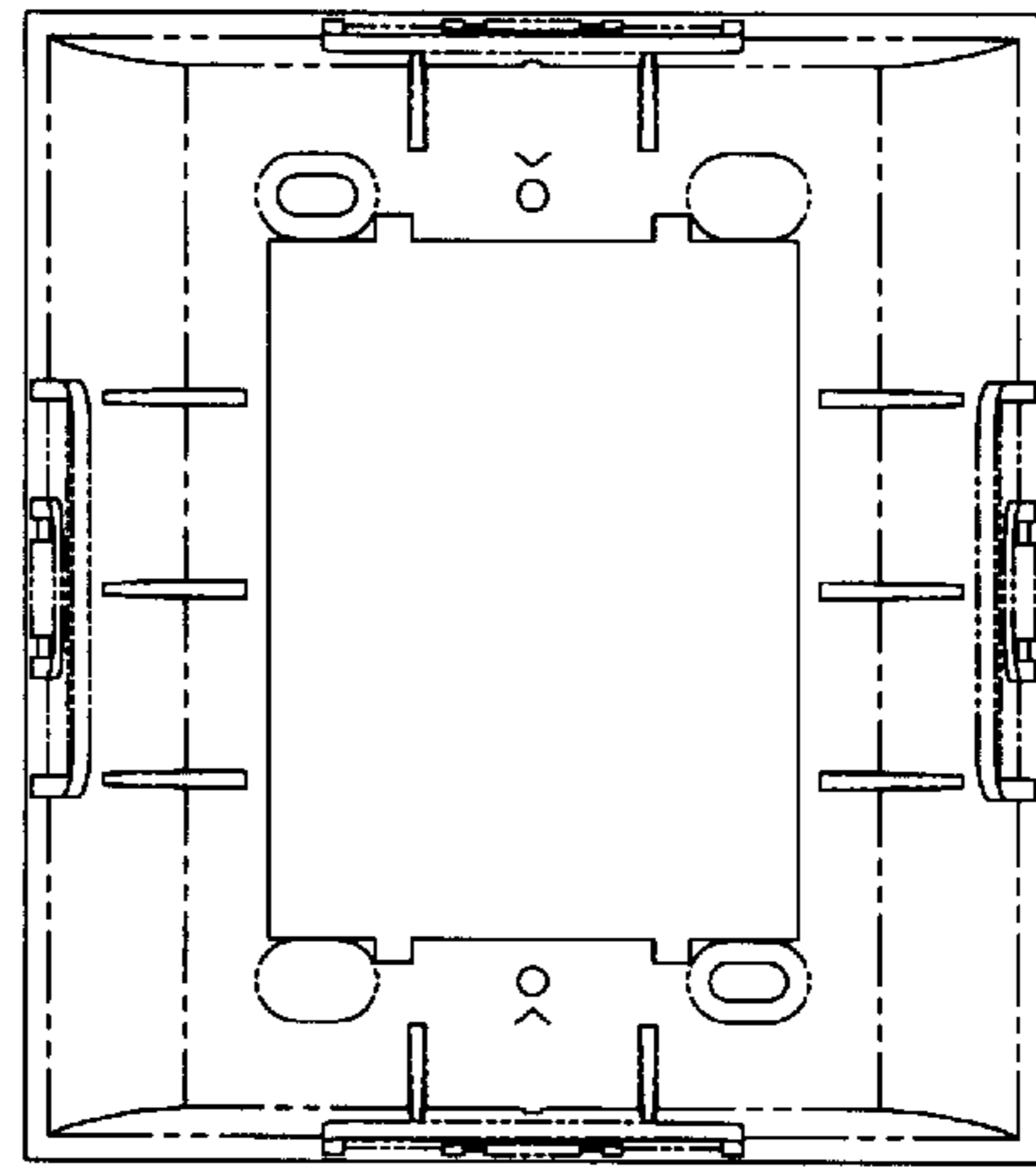


FIG. 6

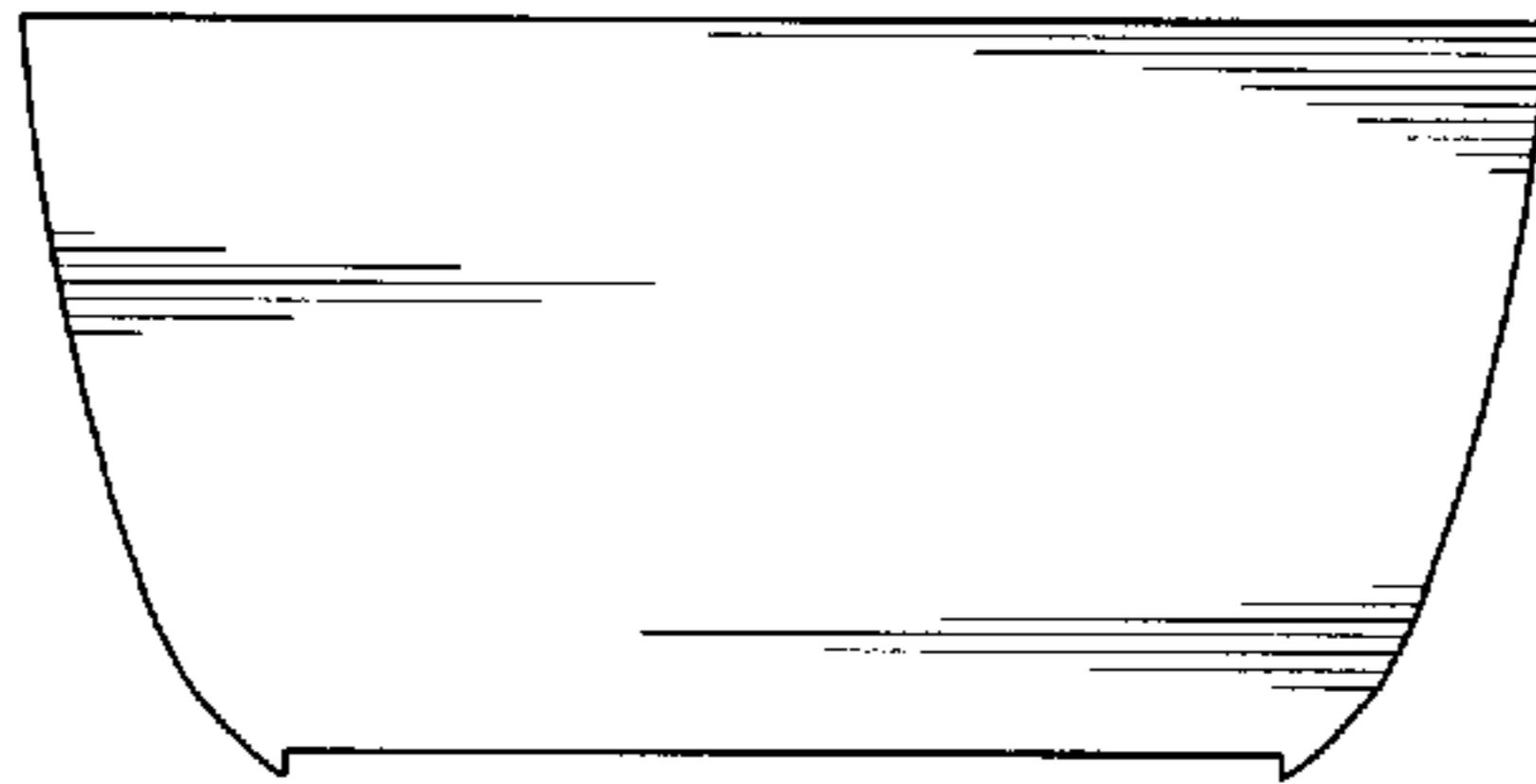


FIG. 5

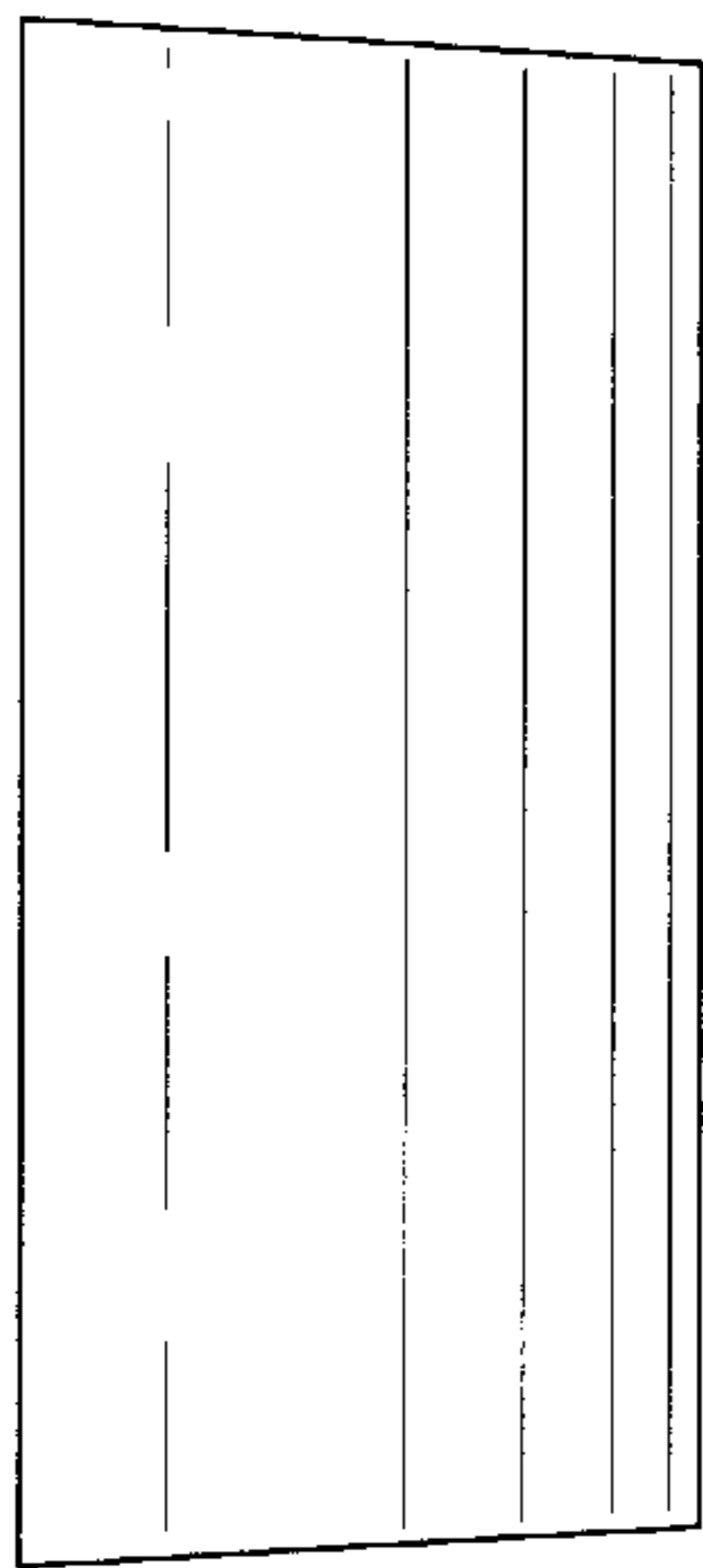


FIG. 2

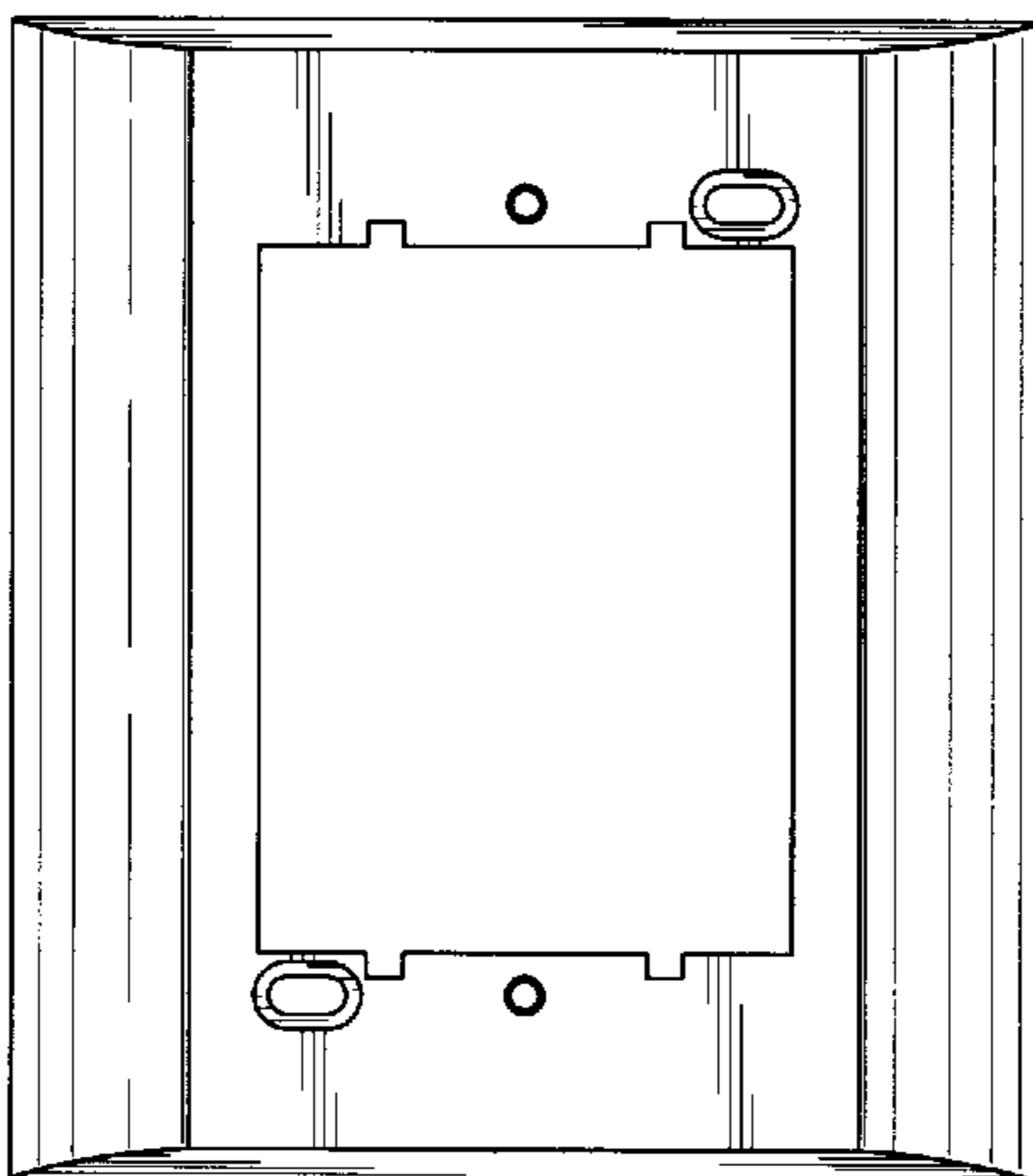


FIG. 4

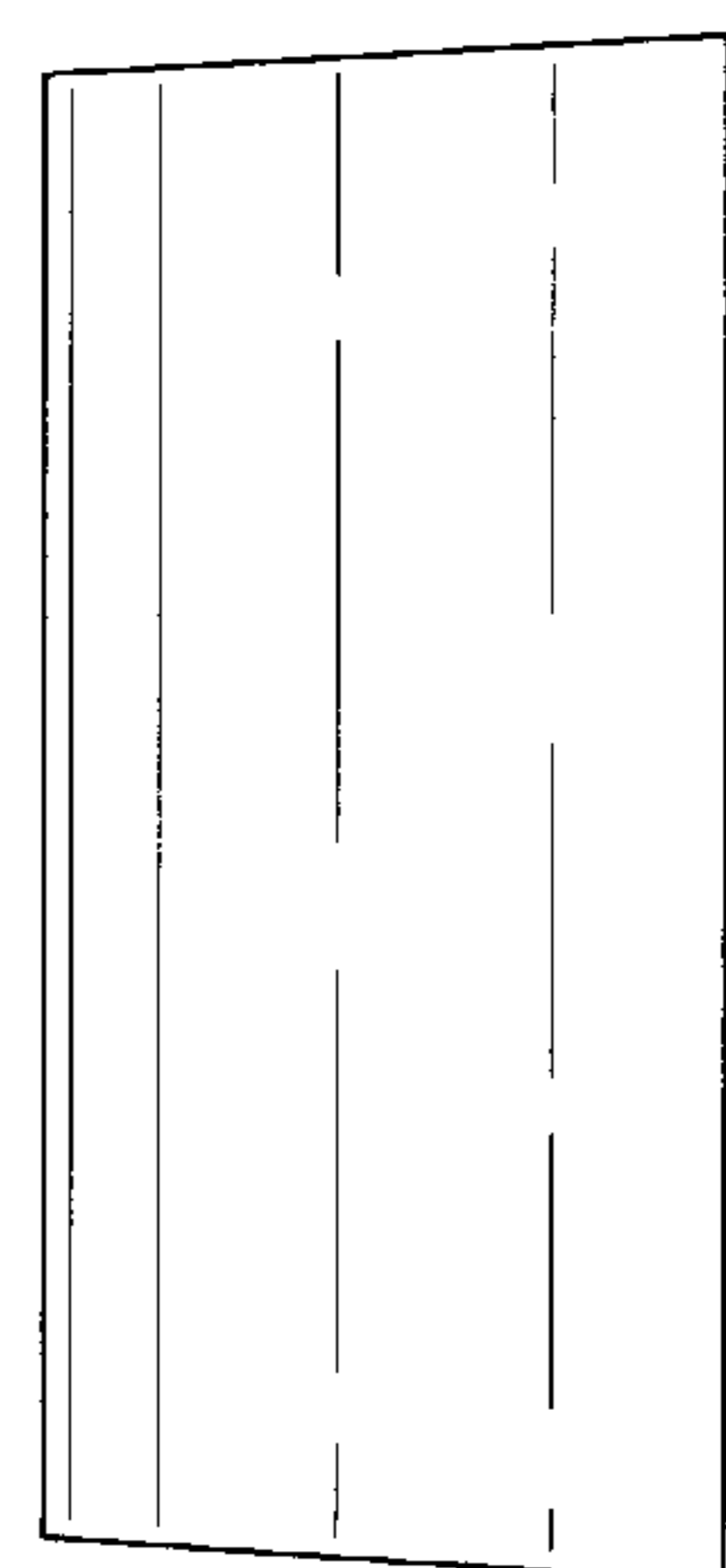


FIG. 7

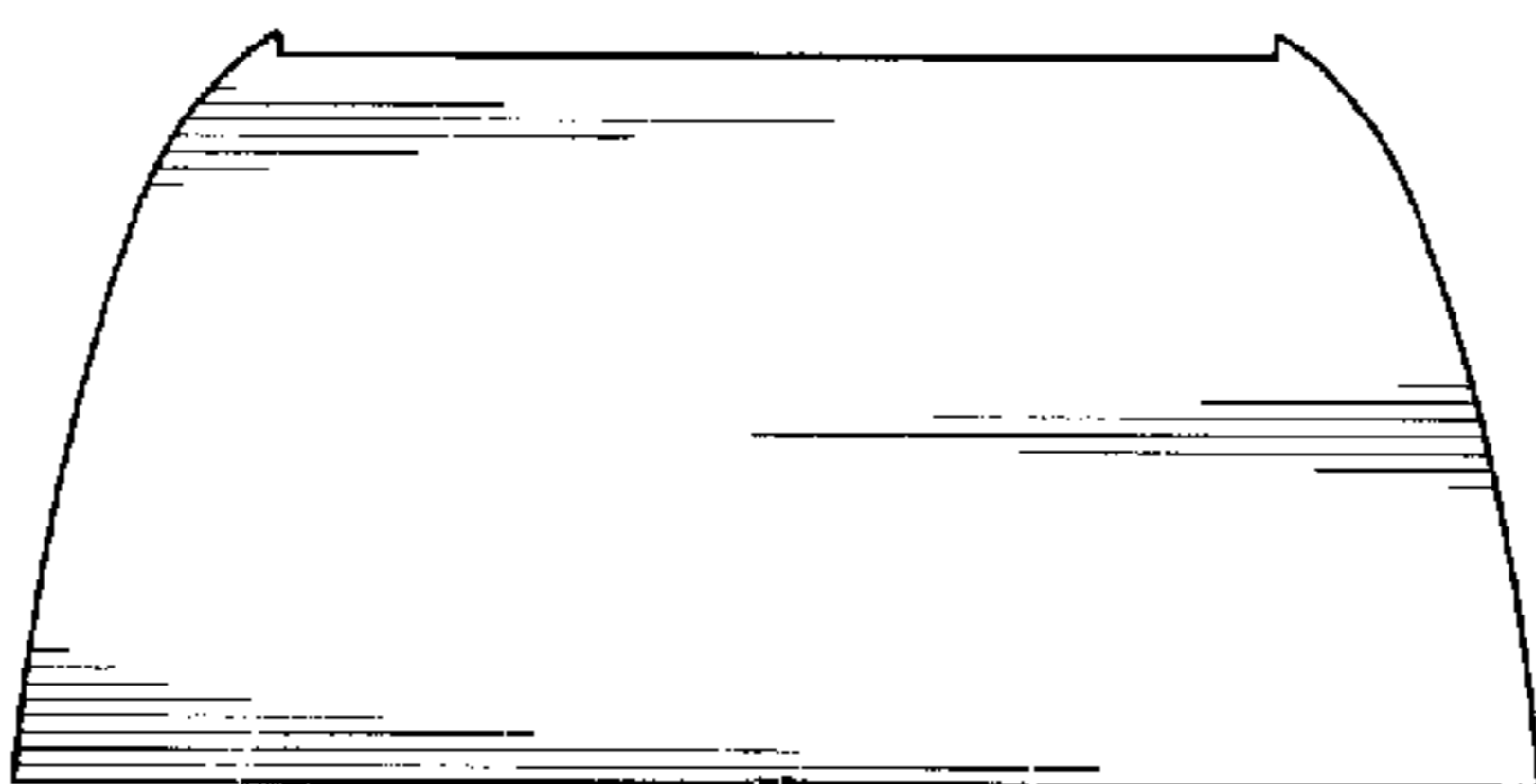


FIG. 8

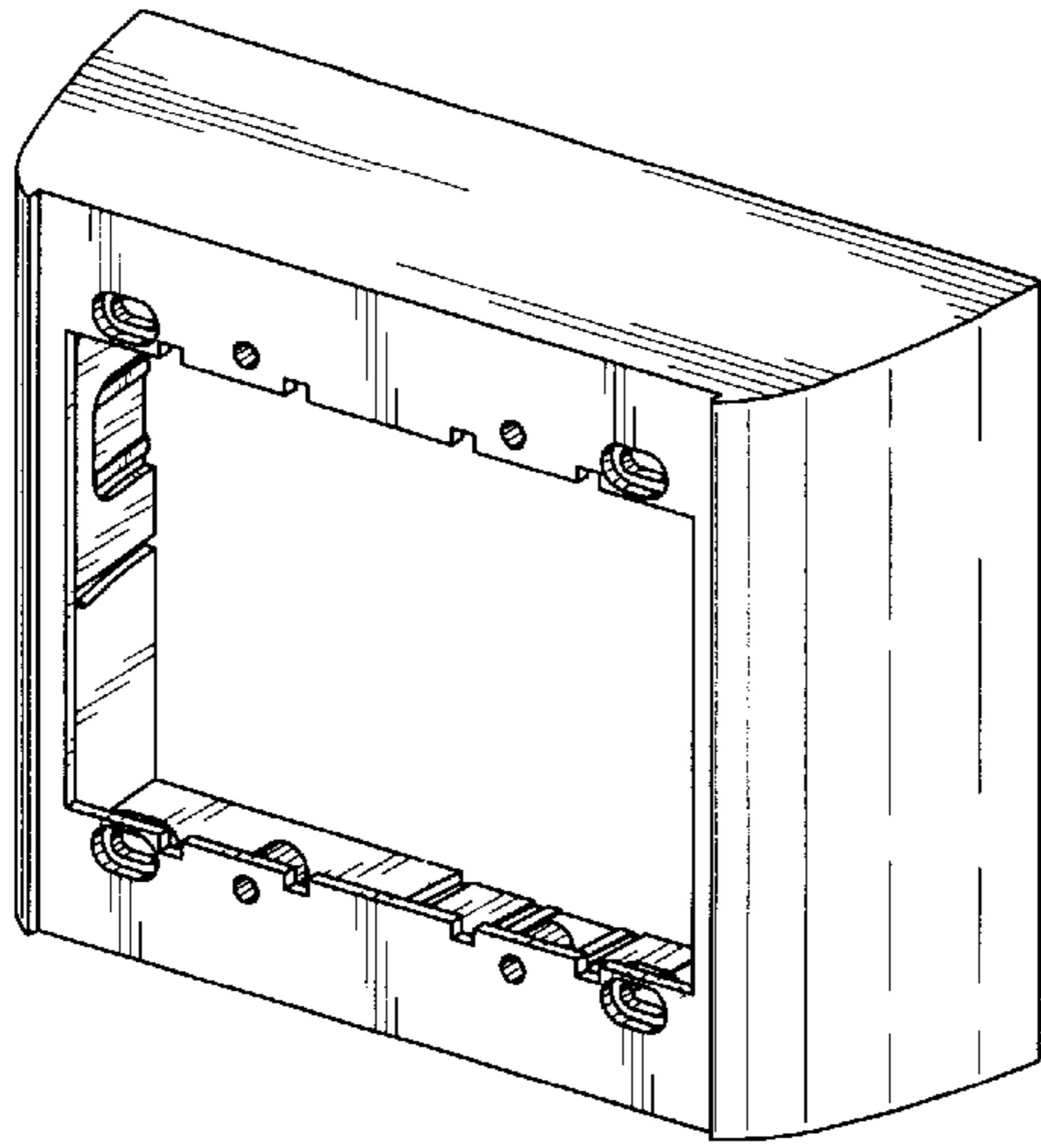


FIG. 10

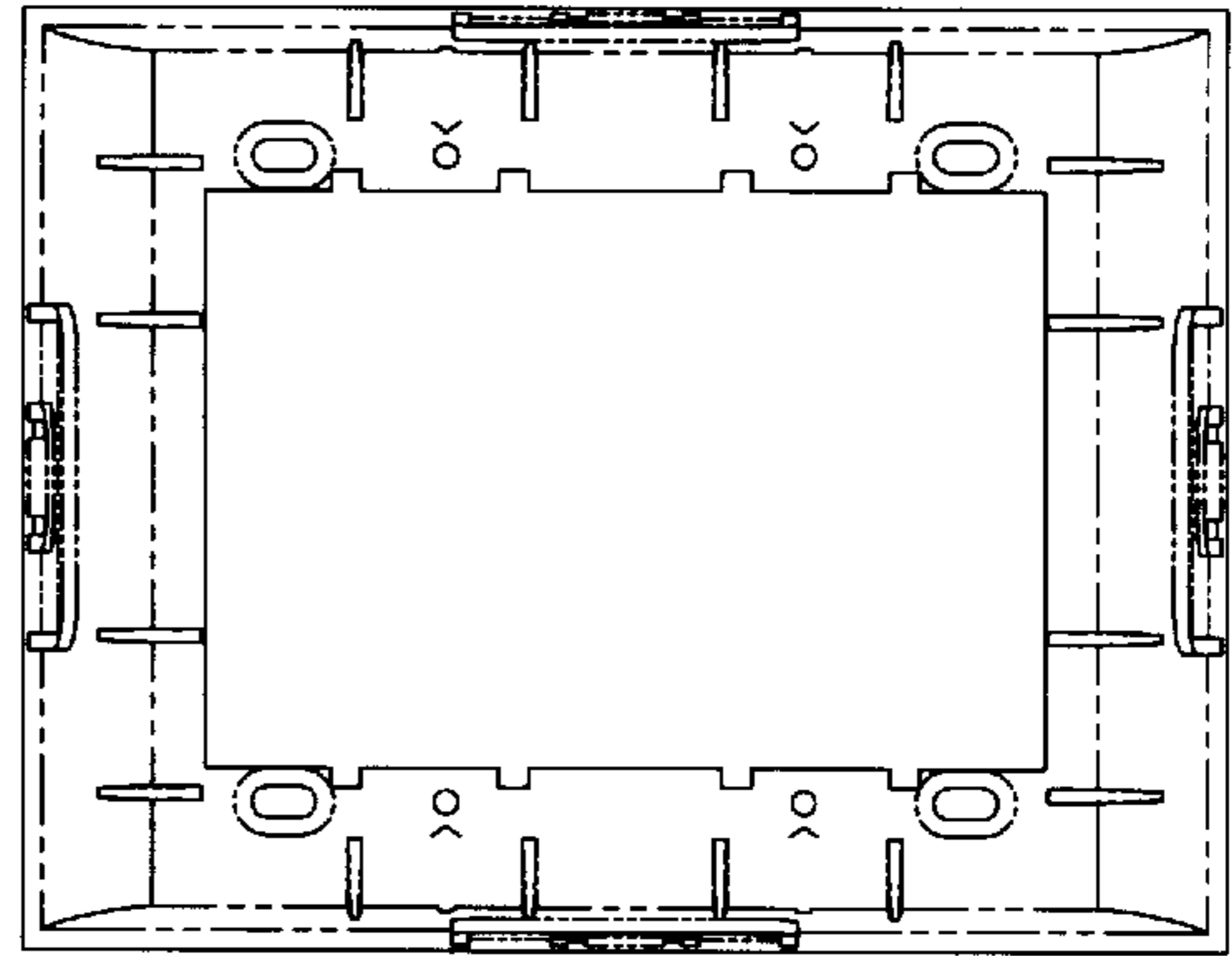


FIG. 13

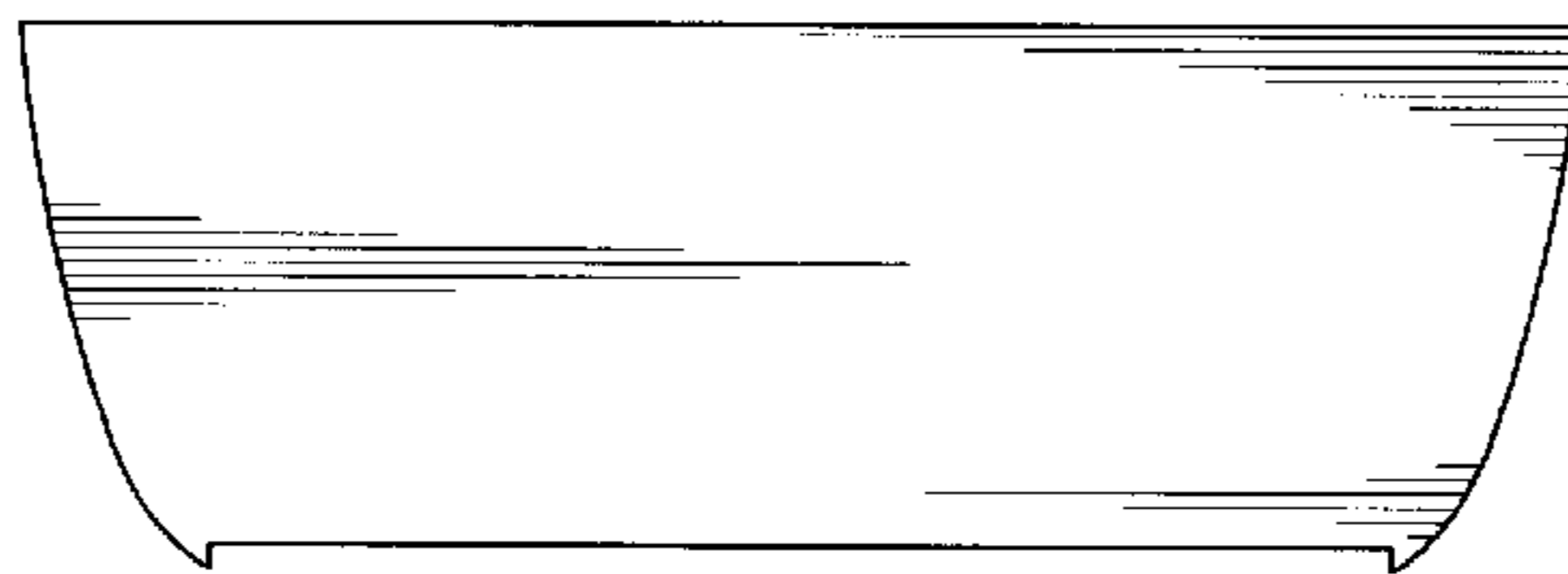


FIG. 12

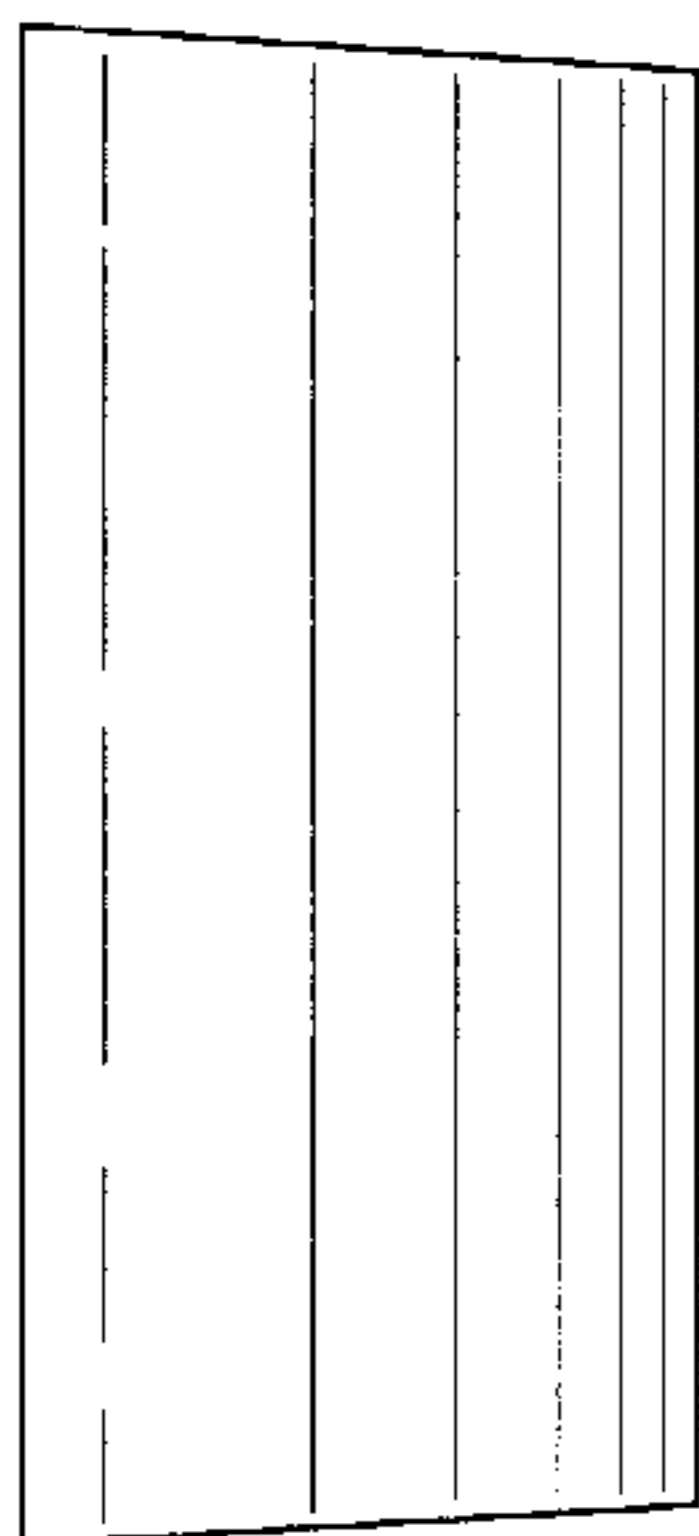


FIG. 9

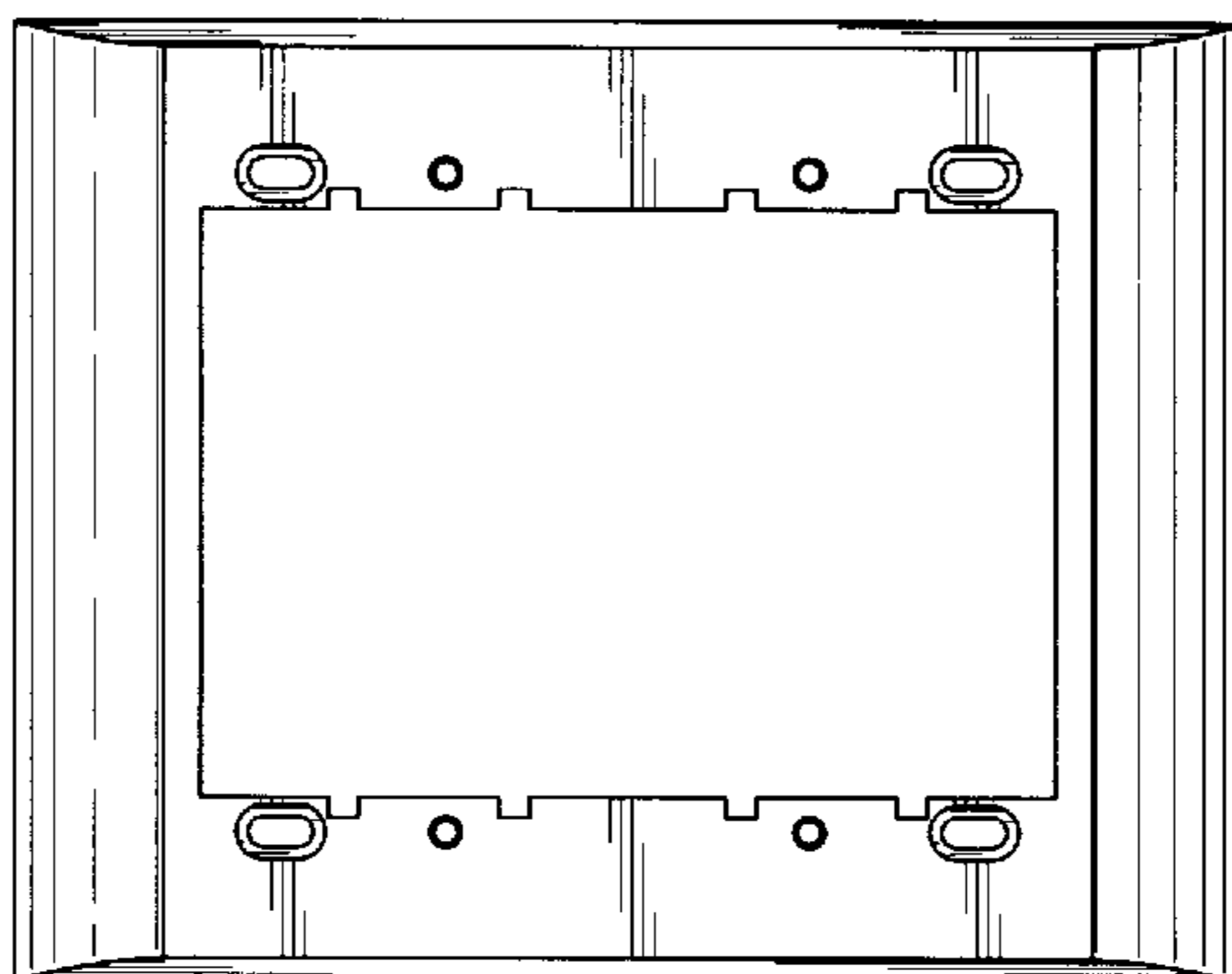


FIG. 11

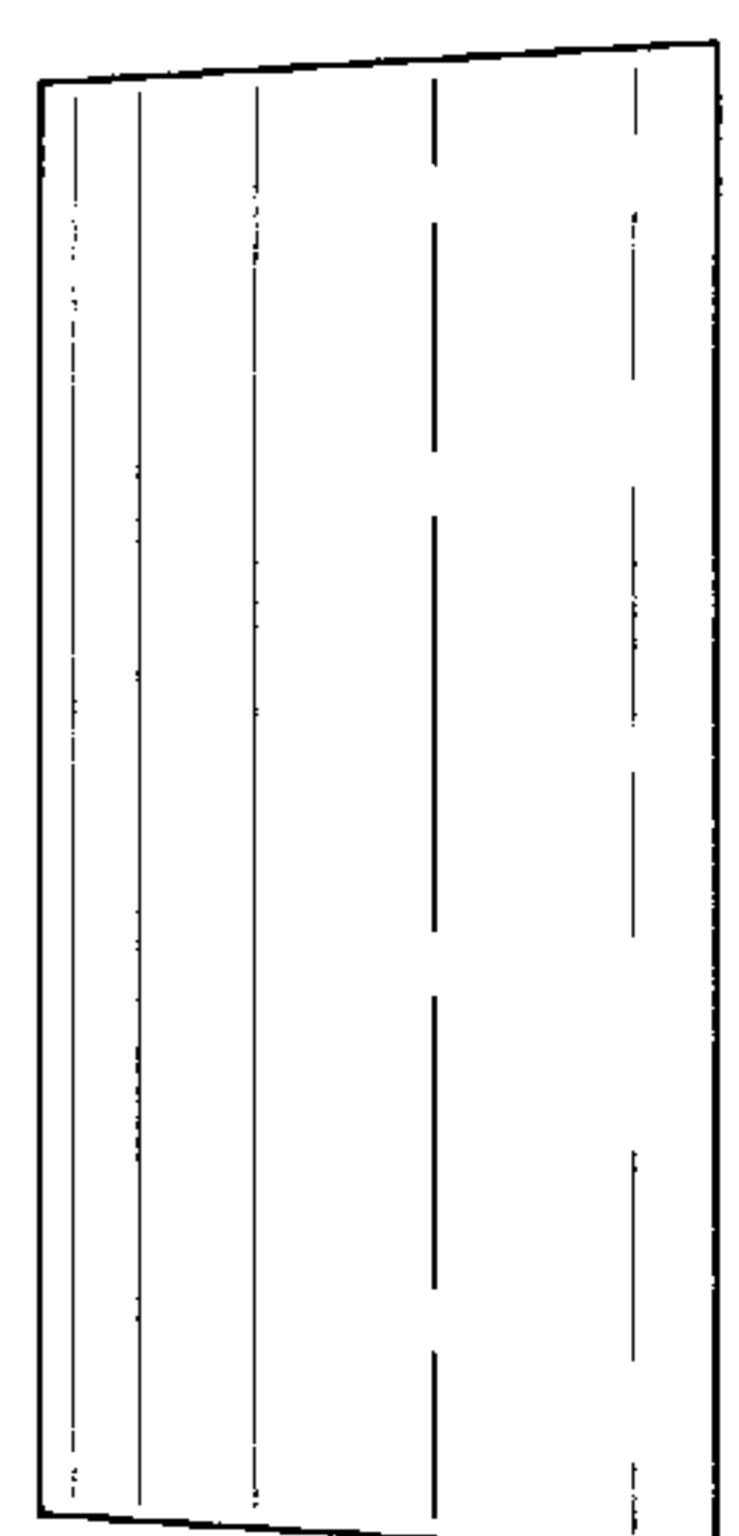


FIG. 14

