



US00D435245S

United States Patent [19] Hwang

[11] **Patent Number: Des. 435,245**

[45] **Date of Patent: ** Dec. 19, 2000**

[54] **CABLE CONNECTOR**

[75] Inventor: **Jenq-Yih Hwang**, Irvine, Calif.

[73] Assignee: **Hon Hai Precision Ind. Co., Ltd.**,
Taipei Hsien, Taiwan

[**] Term: **14 Years**

[21] Appl. No.: **29/123,564**

[22] Filed: **May 17, 2000**

[51] **LOC (7) Cl.** **13-03**

[52] **U.S. Cl.** **D13/147**

[58] **Field of Search** D13/146, 147;
439/248, 354, 357, 545, 844, 557, 571,
576, 953, 680, 378, 381

[56] **References Cited**

U.S. PATENT DOCUMENTS

D. 366,241 1/1996 Eaton D13/147

4,998,892 3/1991 Shiley 439/381
5,279,507 1/1994 Kameyama 439/552
5,487,680 1/1996 Yamanashi 439/552
5,621,328 4/1997 Yamanashi 439/559 X

Primary Examiner—Joel Sincavage
Attorney, Agent, or Firm—Wei Te Chung

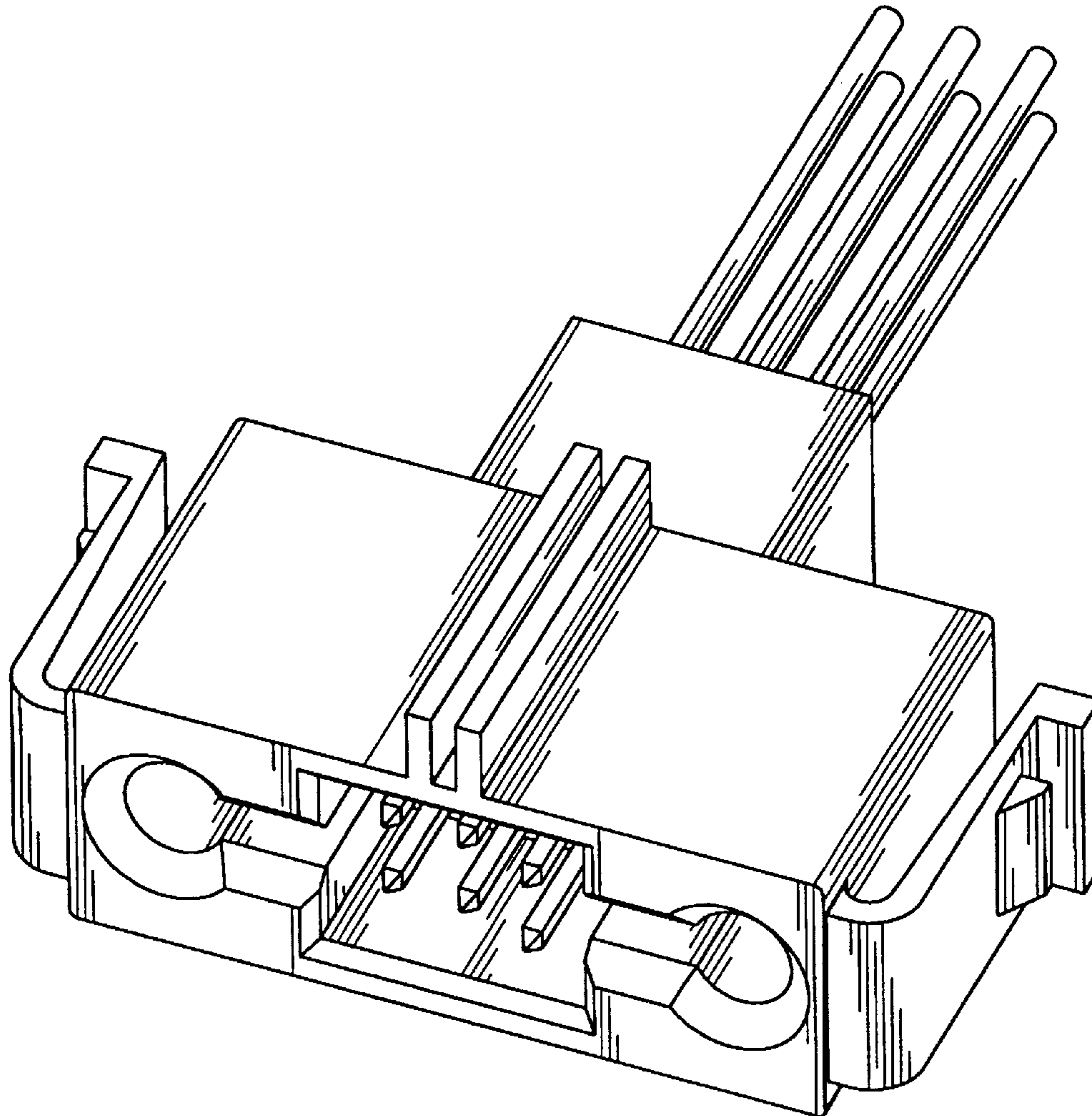
[57] **CLAIM**

The ornamental design for a cable connector, as shown.

DESCRIPTION

FIG. 1 is a front, top and right side perspective view of a cable connector showing my new design; FIG. 2 is a front elevational view thereof; FIG. 3 is a rear elevational view thereof; FIG. 4 is a left side elevational view thereof; FIG. 5 is a right side elevational view thereof; FIG. 6 is a top plan view thereof; and, FIG. 7 is a bottom plan view thereof.

1 Claim, 7 Drawing Sheets



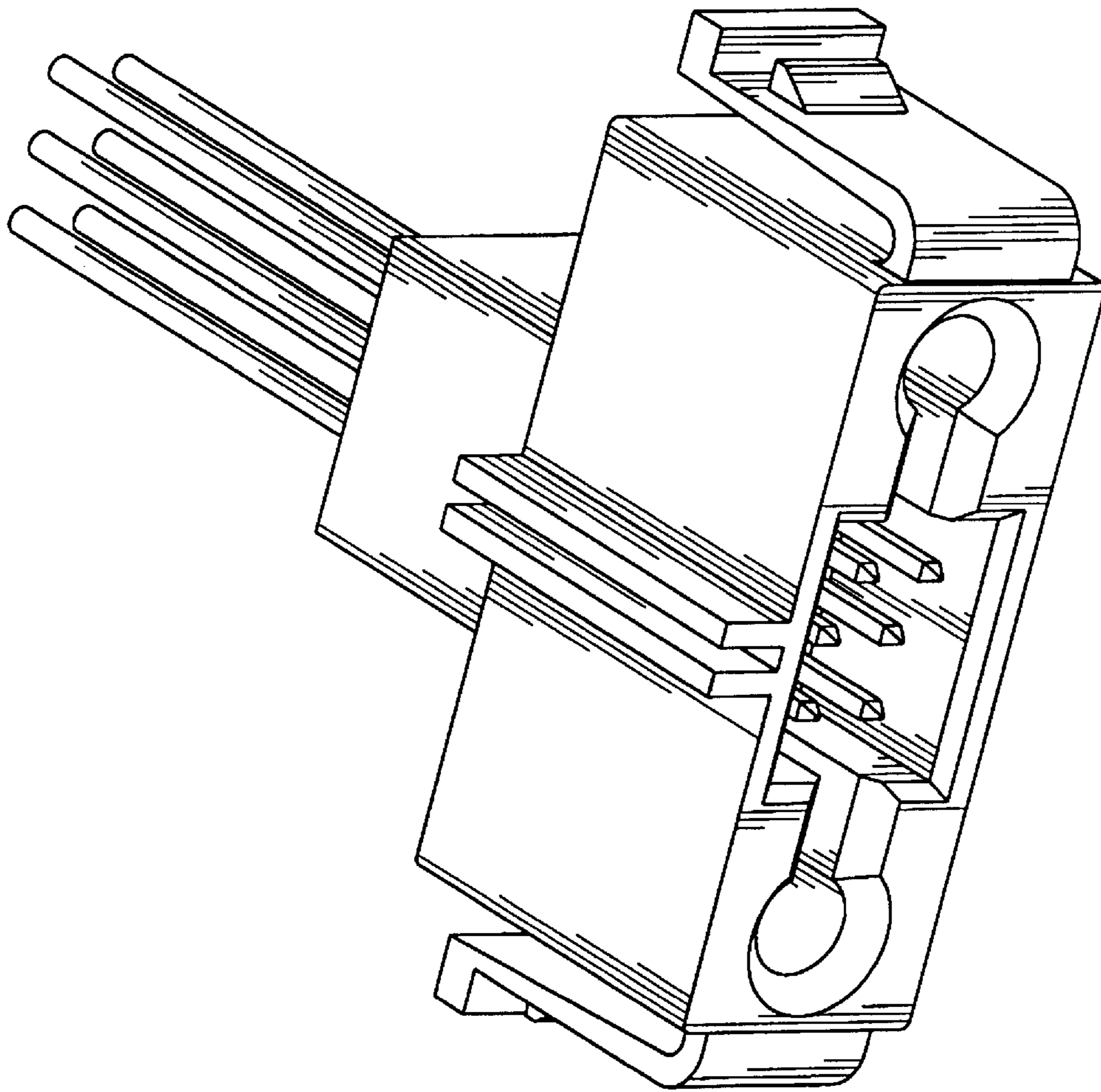


FIG.1

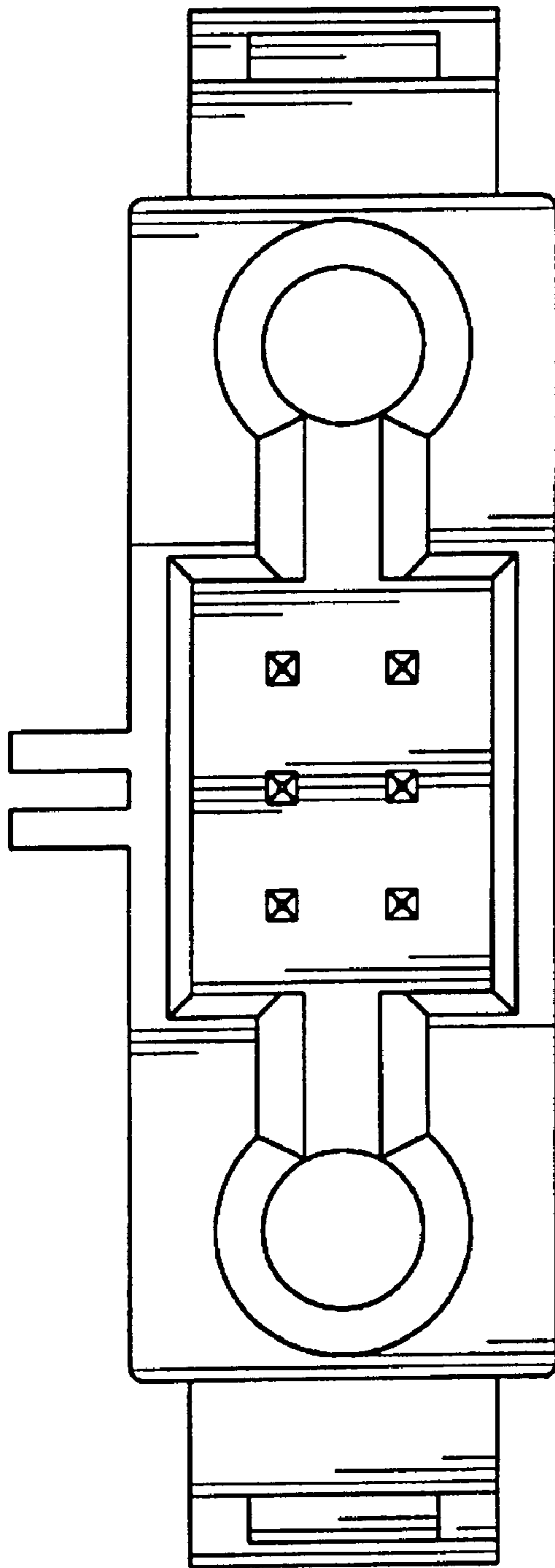


FIG. 2

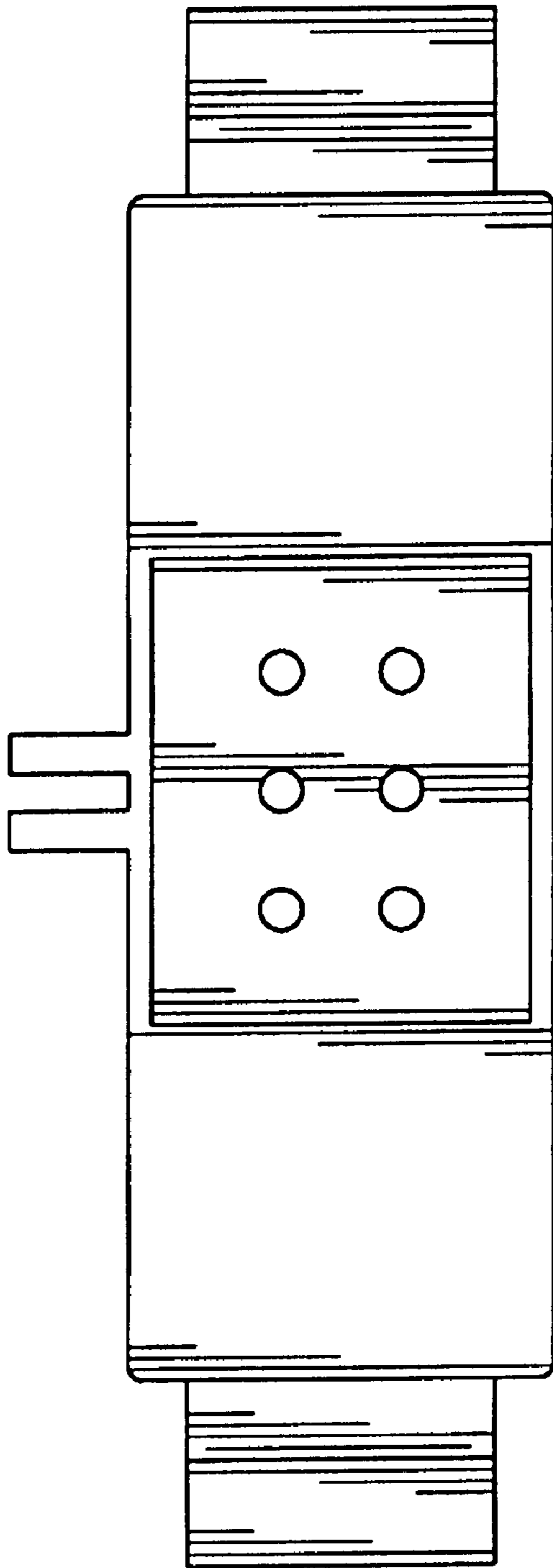


FIG. 3

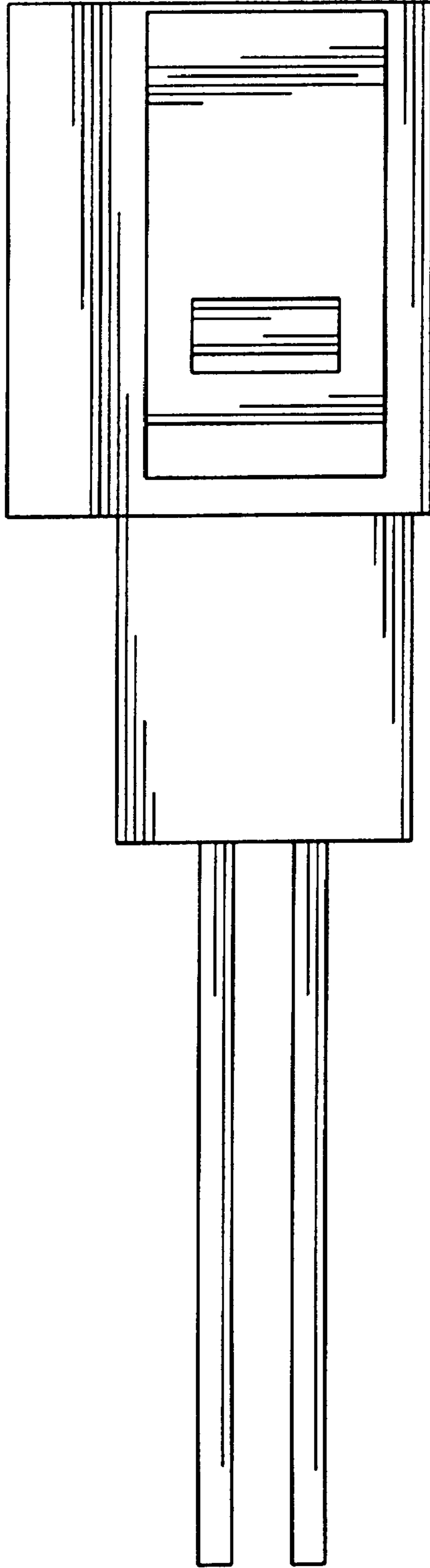


FIG.4

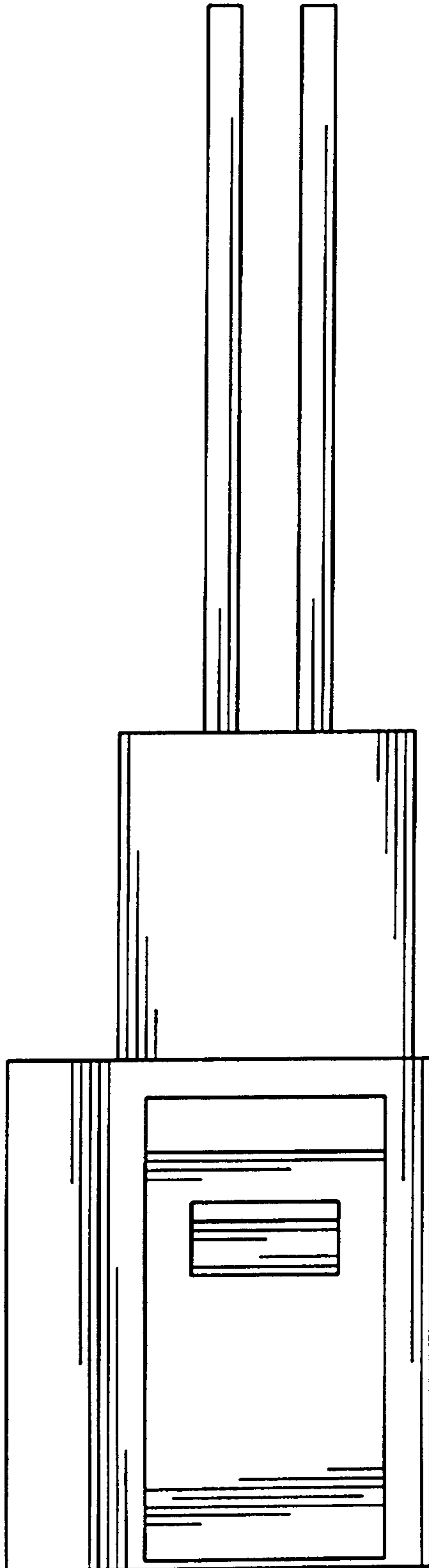


FIG. 5

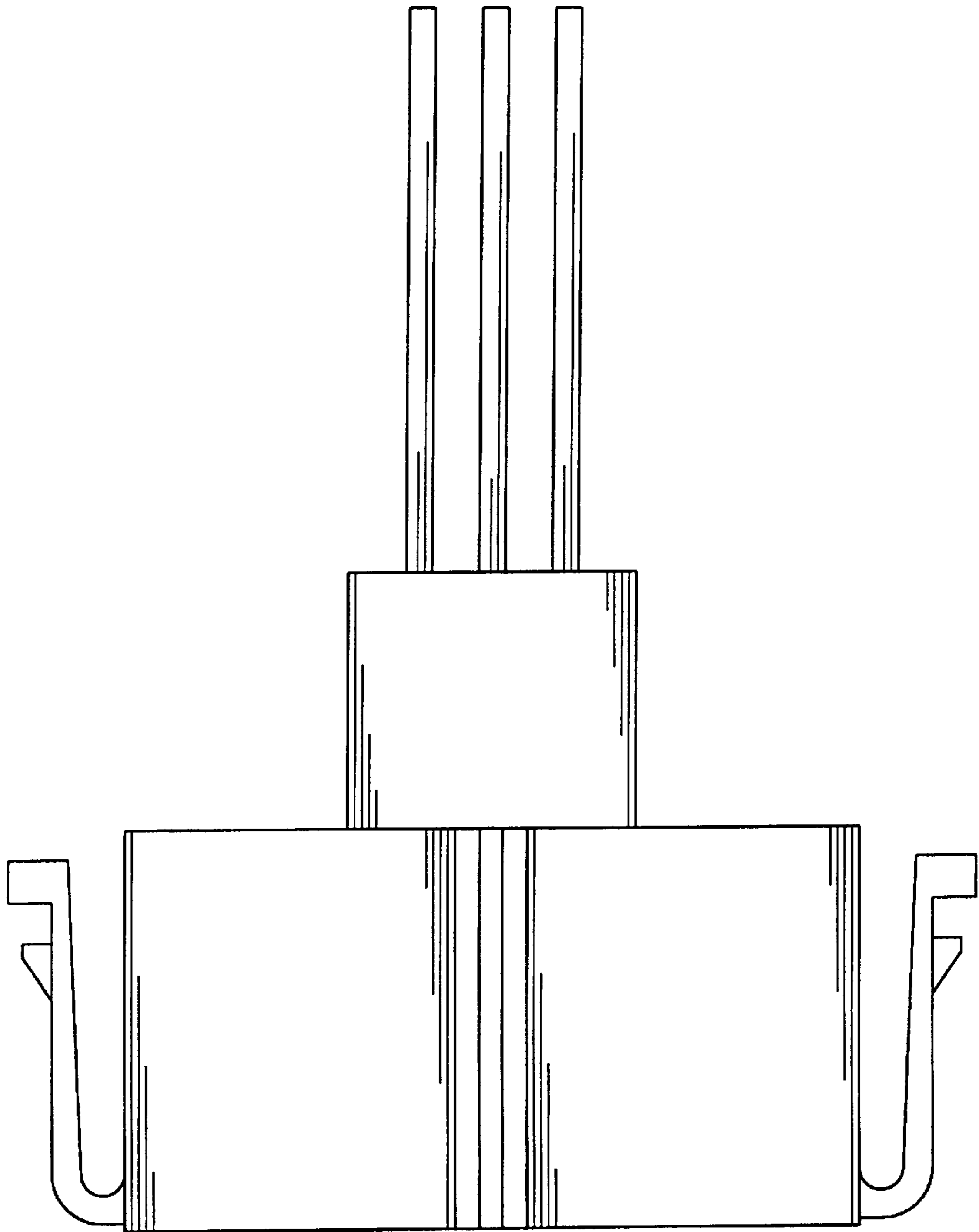


FIG. 6

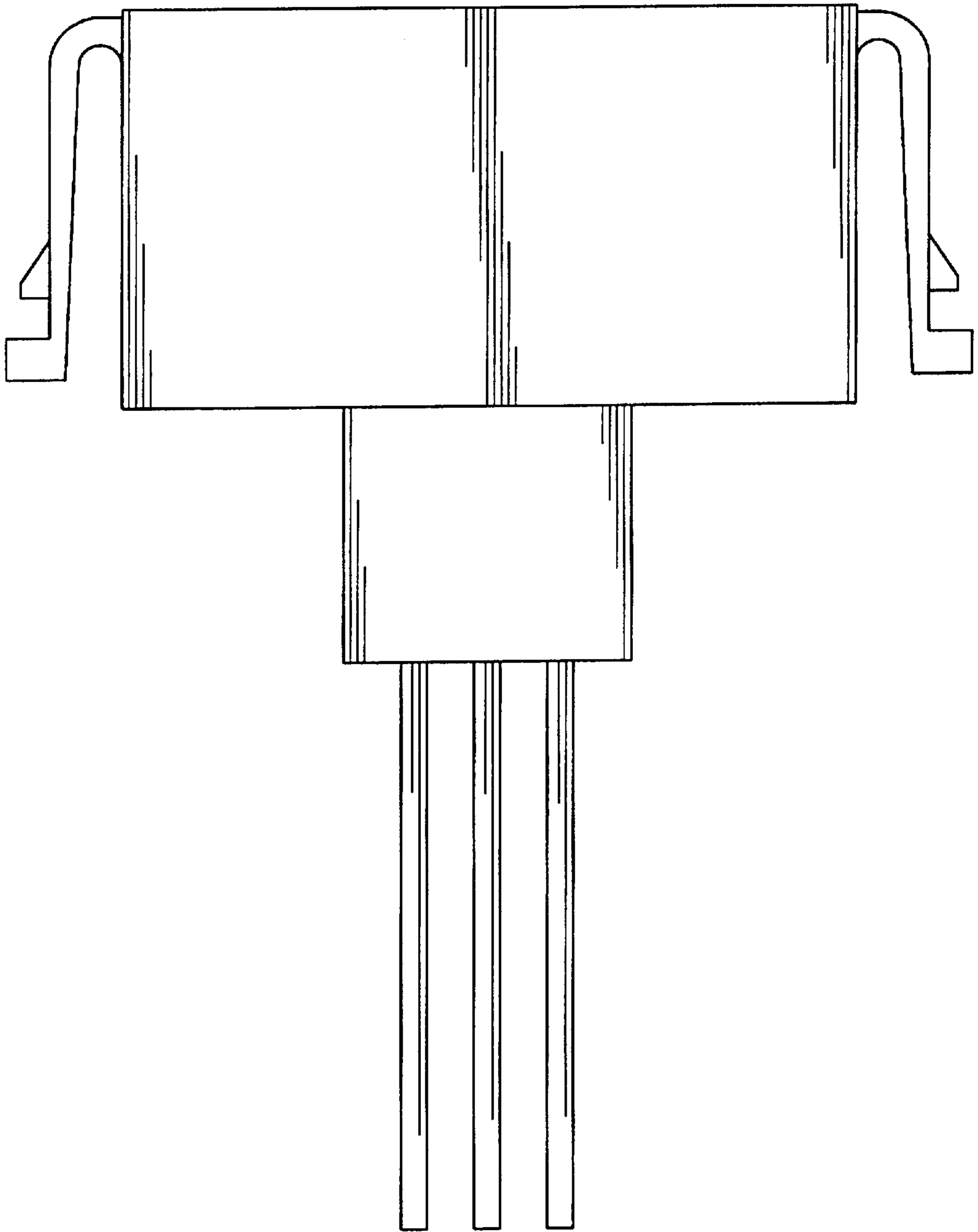


FIG. 7