



US00D435244S

**United States Patent** [19]  
**Lok**

[11] **Patent Number: Des. 435,244**

[45] **Date of Patent: \*\* Dec. 19, 2000**

[54] **ELECTRICAL CONNECTOR**

[75] Inventor: **Gordon Lok**, La Habra, Calif.

[73] Assignee: **Hon Hai Precision Ind. Co., Ltd.**,  
Taipei Hsien, Taiwan

[\*\*] Term: **14 Years**

[21] Appl. No.: **29/123,558**

[22] Filed: **May 17, 2000**

[51] **LOC (7) Cl.** ..... **13-03**

[52] **U.S. Cl.** ..... **D13/147**

[58] **Field of Search** ..... D13/146, 147;  
439/569, 607-610, 626, 629, 636, 78, 79

[56] **References Cited**

**U.S. PATENT DOCUMENTS**

- D. 351,137 10/1994 Sato ..... D13/147
- D. 411,982 7/1999 Huang ..... D13/147

- D. 422,561 4/2000 Wu et al. .... D13/147
- 5,800,204 9/1998 Niitsu ..... 439/495
- 5,941,725 8/1999 Brennan et al. .... 439/357
- 6,083,046 7/2000 Wu et al. .... 439/607

*Primary Examiner*—Joel Sincavage  
*Attorney, Agent, or Firm*—Wei Te Chung

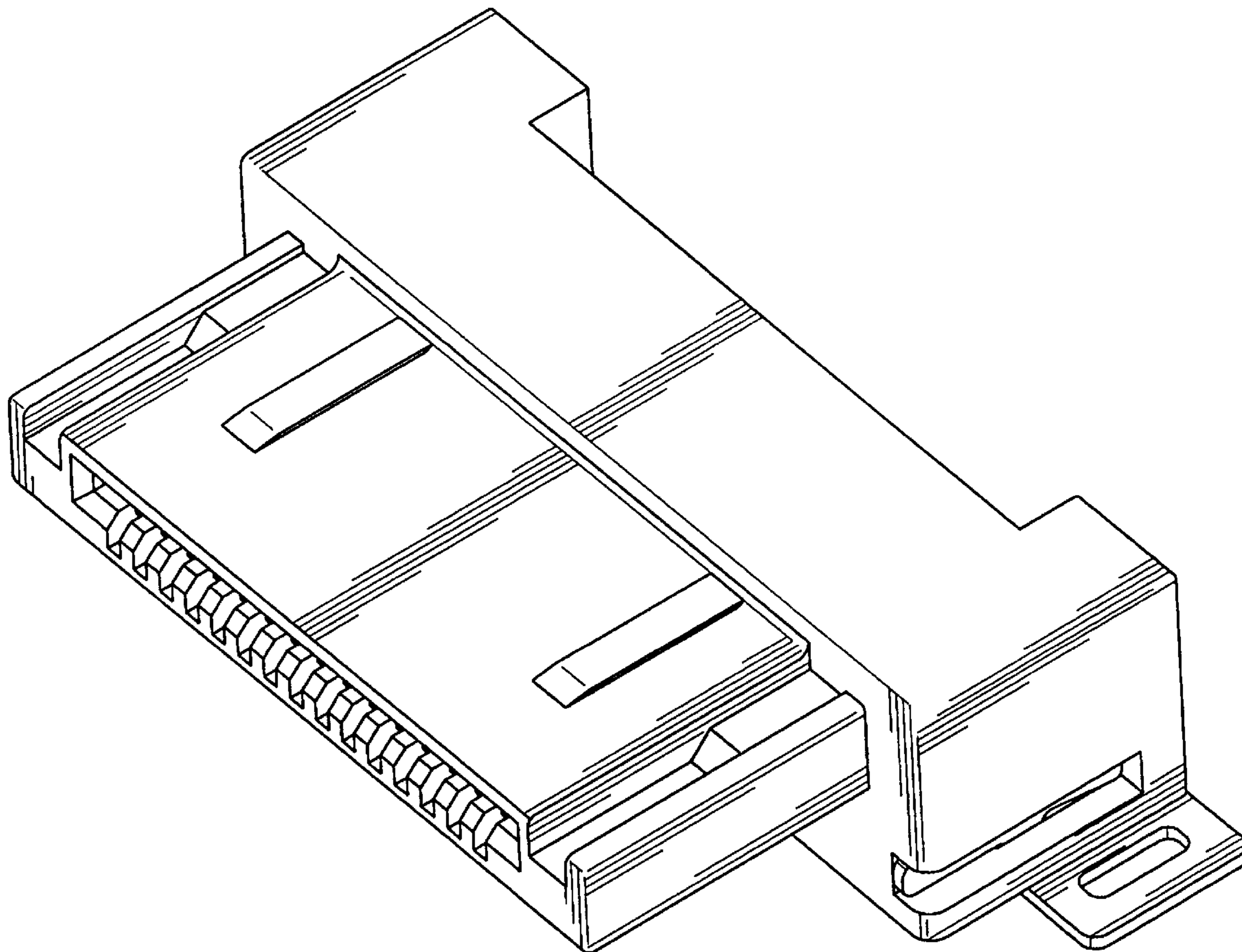
[57] **CLAIM**

The ornamental design for an electrical connector, as shown.

**DESCRIPTION**

FIG. 1 is a front, top and right side perspective view of an electrical connector showing my new design; FIG. 2 is a front elevational view thereof; FIG. 3 is a rear elevational view thereof; FIG. 4 is a left side elevational view thereof; FIG. 5 is a right side elevational view thereof; FIG. 6 is a top plan view thereof; and, FIG. 7 is a bottom plan view thereof.

**1 Claim, 7 Drawing Sheets**



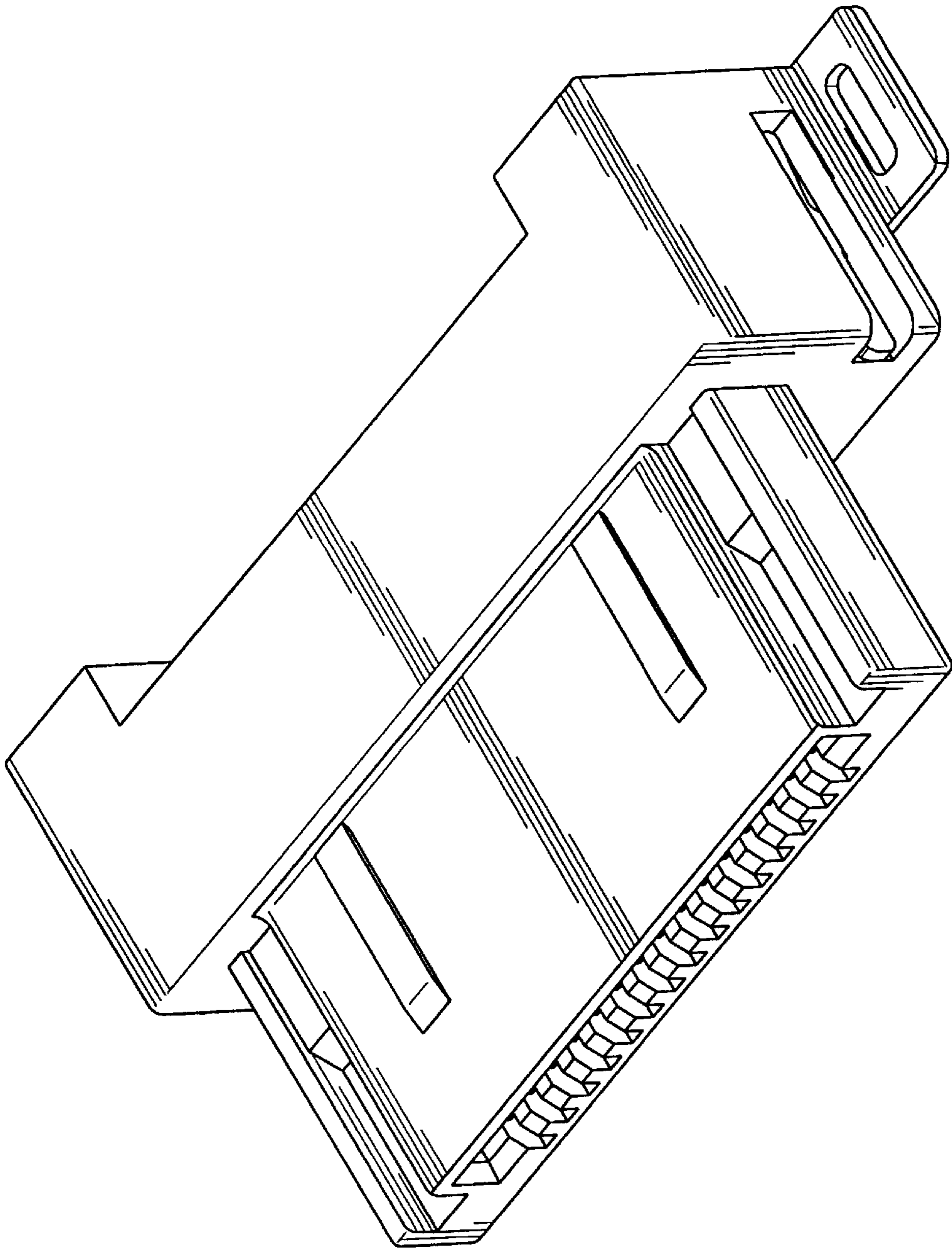


FIG. 1

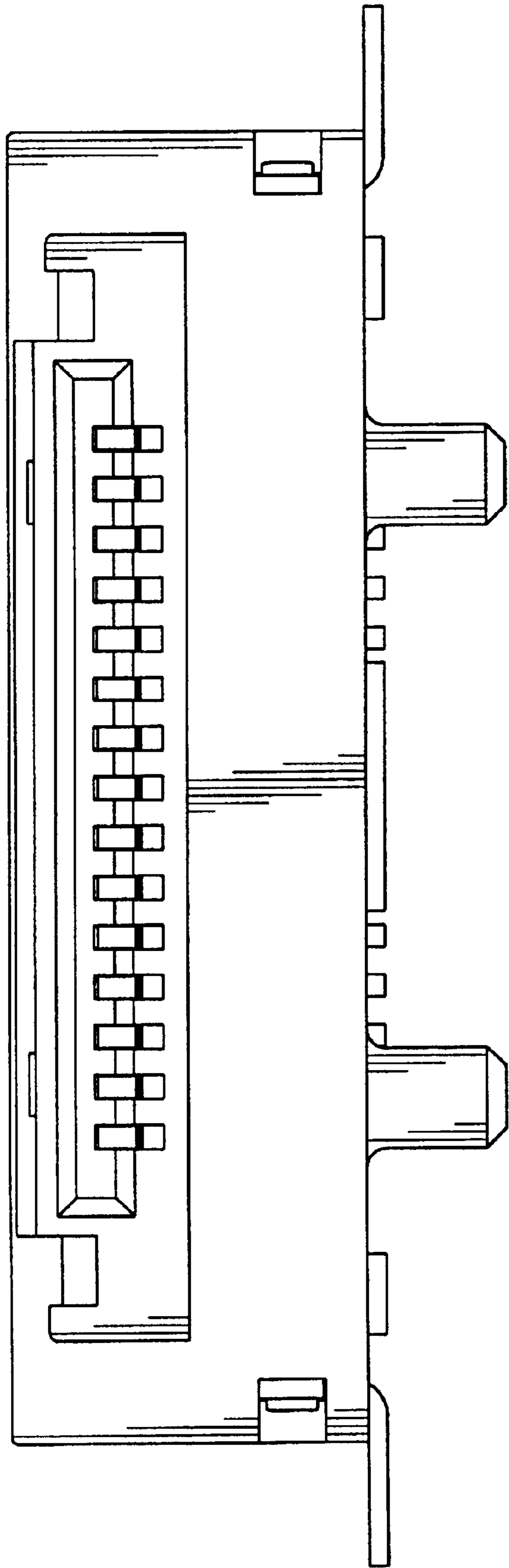


FIG. 2

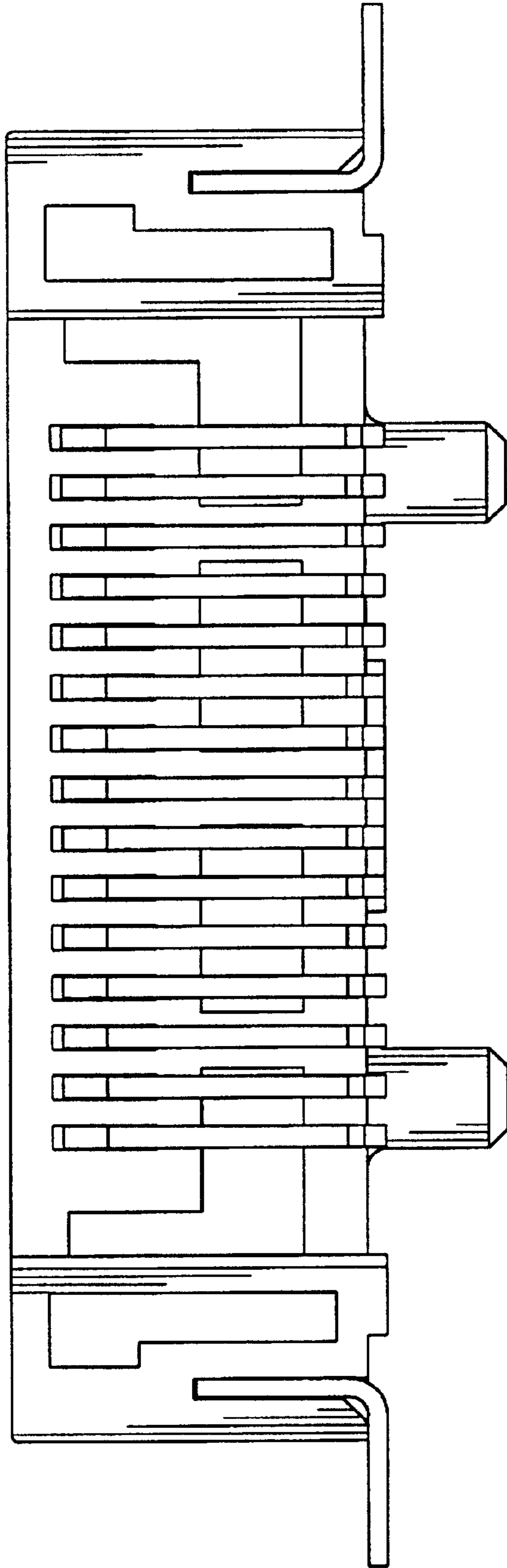


FIG. 3

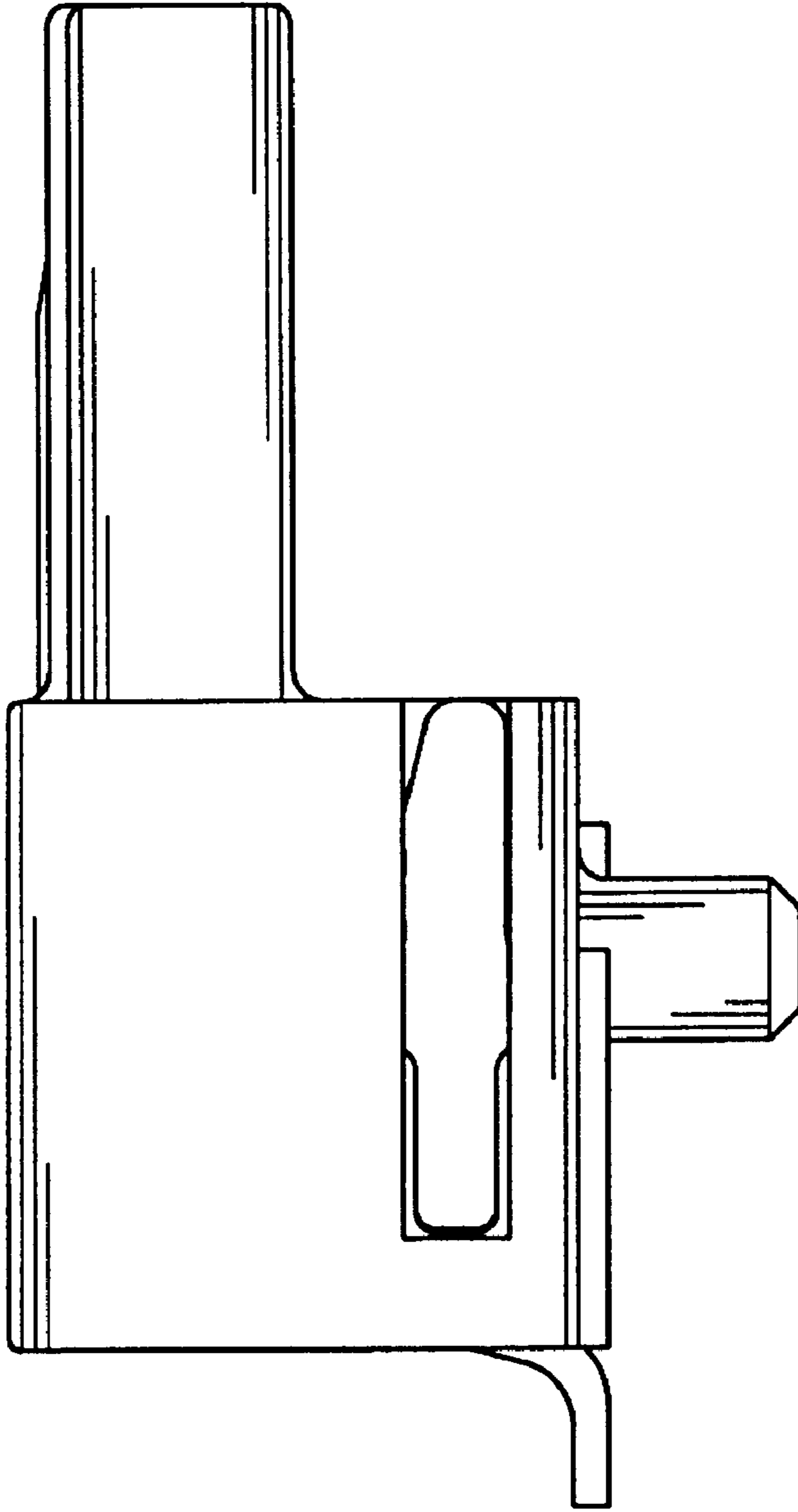


FIG. 4

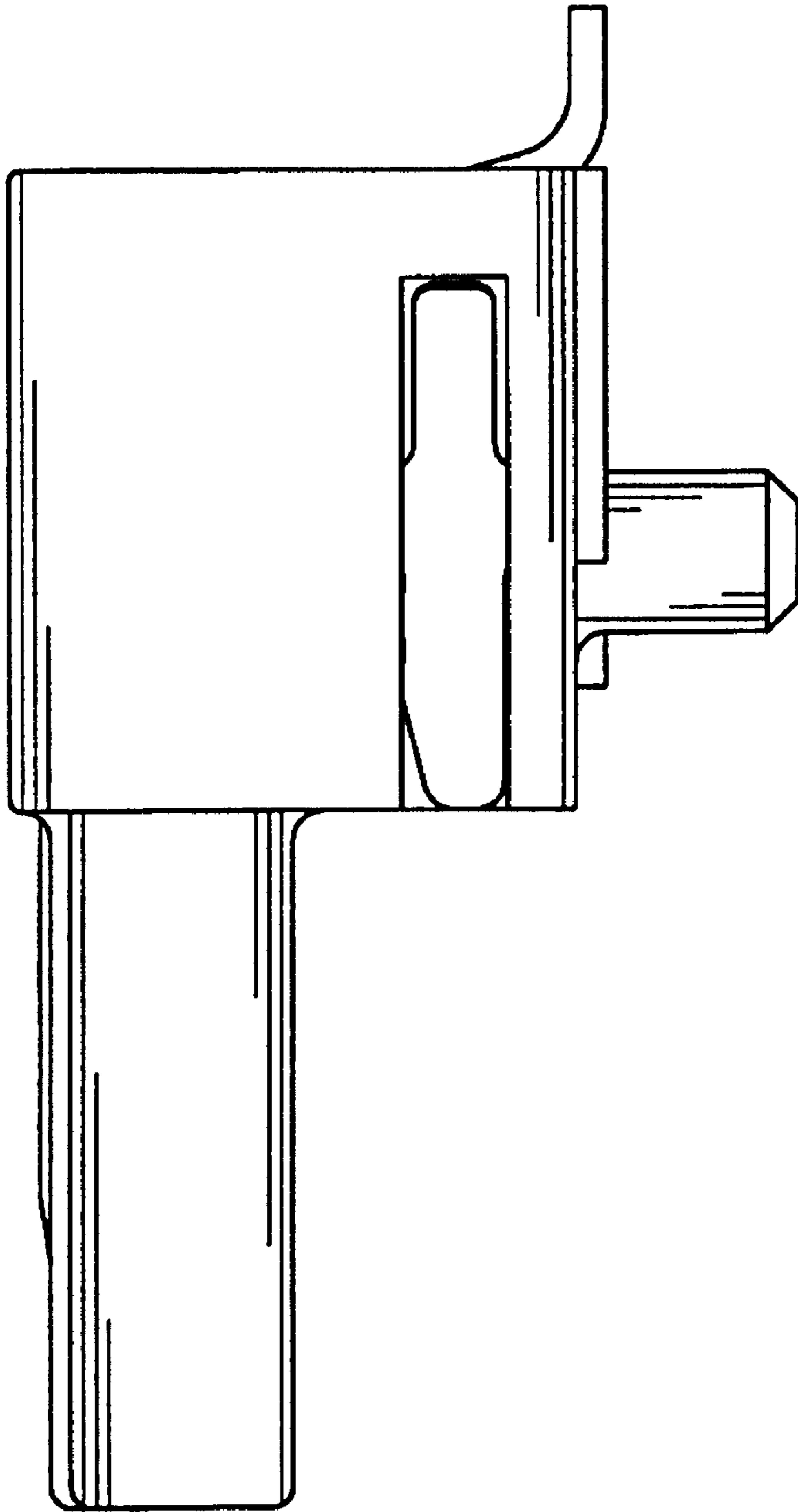


FIG. 5

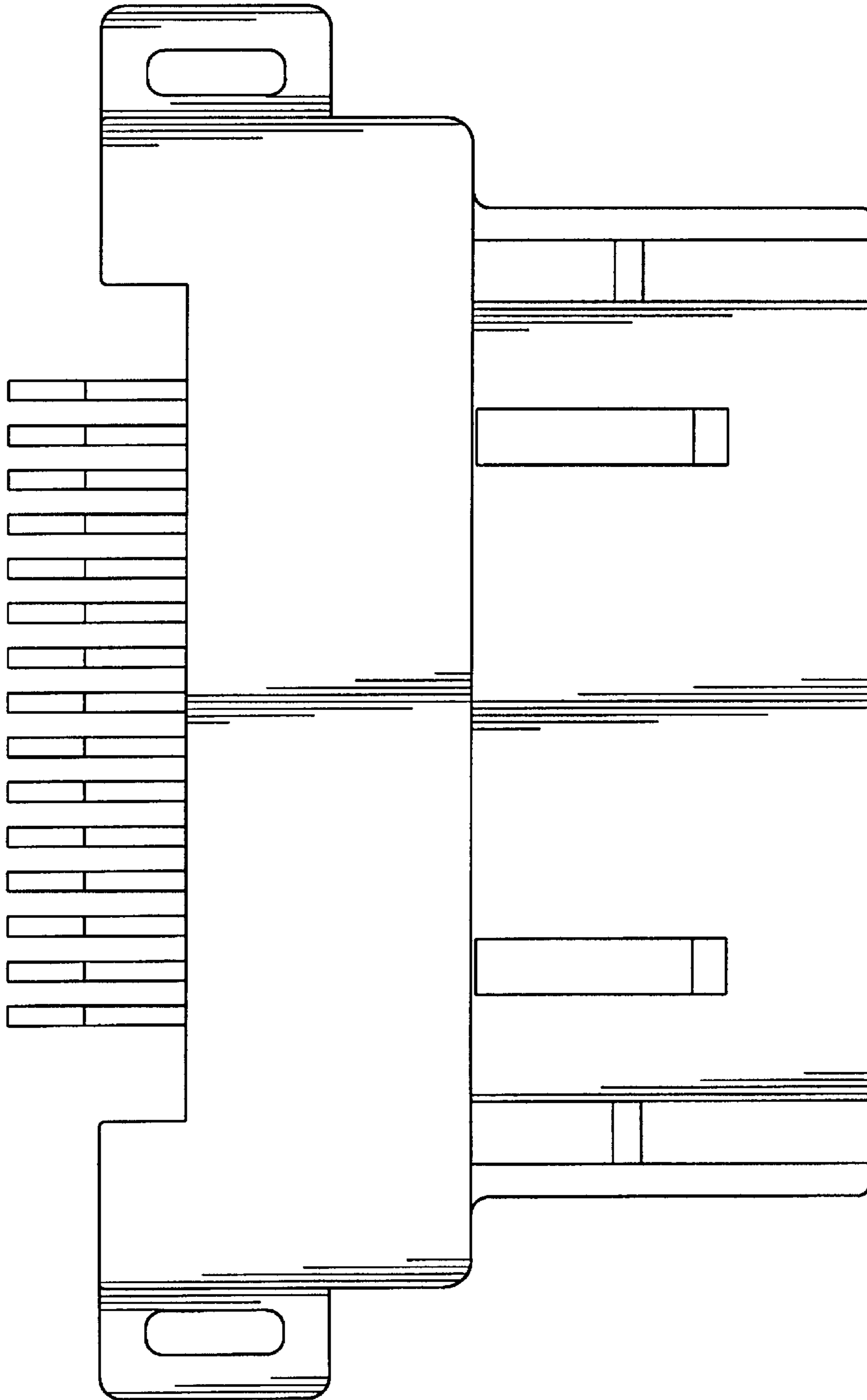


FIG. 6

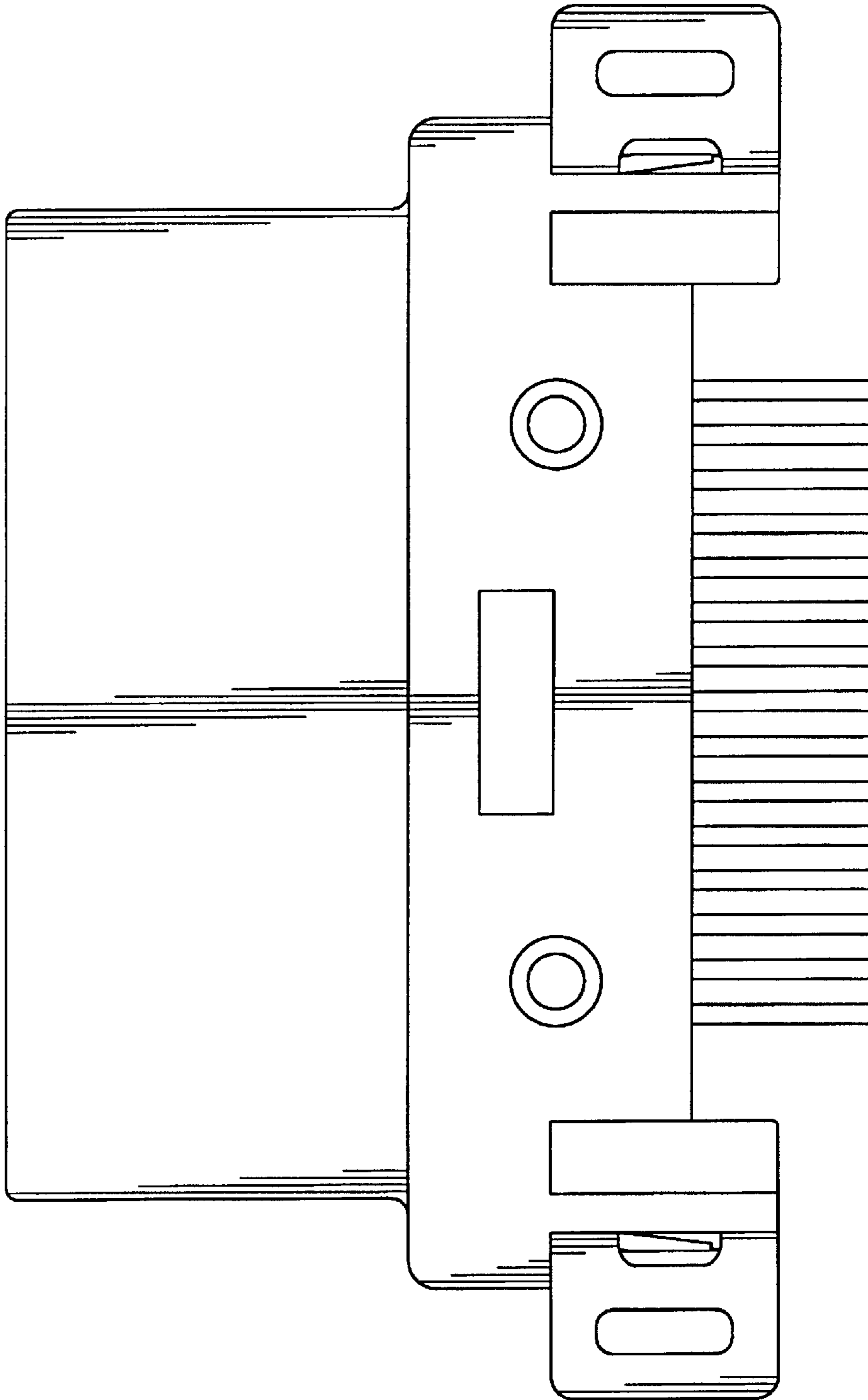


FIG. 7