



US00D435243S

United States Patent [19] Kuo

[11] **Patent Number: Des. 435,243**

[45] **Date of Patent: ** Dec. 19, 2000**

[54] **ELECTRICAL ADAPTER**

[75] Inventor: **Chin-Pao Kuo**, Tu-Chen, Taiwan

[73] Assignee: **Hon Hai Precision Ind. Co., Ltd.**,
Taipei Hsien, Taiwan

[**] Term: **14 Years**

[21] Appl. No.: **29/121,570**

[22] Filed: **Apr. 10, 2000**

[51] **LOC (7) Cl.** **13-03**

[52] **U.S. Cl.** **D13/147**

[58] **Field of Search** D13/146, 147;
439/300, 928.1, 638, 639, 654, 540.1, 541.5

[56] **References Cited**

U.S. PATENT DOCUMENTS

- D. 288,434 2/1987 Gemmell D13/147
- D. 333,460 2/1993 Huang D13/147

- D. 409,572 5/1999 Putten D13/147
- D. 411,513 6/1999 Wu et al. D13/147
- 5,269,704 12/1993 Ohashi 439/620
- 5,430,618 7/1995 Huang 361/818

Primary Examiner—Joel Sincavage
Attorney, Agent, or Firm—Wei Te Chung

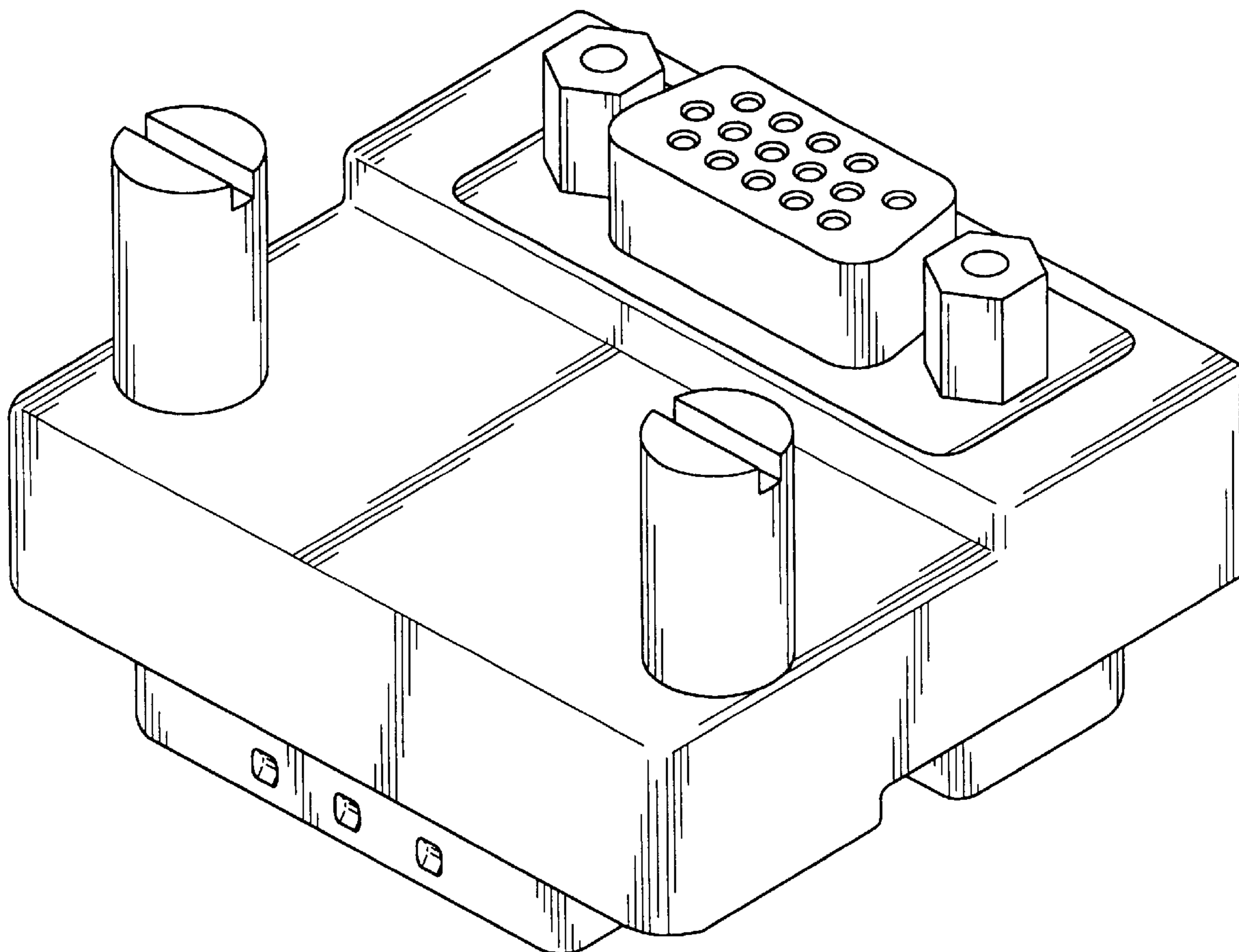
[57] **CLAIM**

The ornamental design for an electrical adapter, as shown.

DESCRIPTION

FIG. 1 is a front, top and right side perspective view of an electrical adapter showing my new design; FIG. 2 is a front elevational view thereof; FIG. 3 is a rear elevational view thereof; FIG. 4 is a left side elevational view thereof; FIG. 5 is a right side elevational view thereof; FIG. 6 is a top plan view thereof; and, FIG. 7 is a bottom plan view thereof.

1 Claim, 7 Drawing Sheets



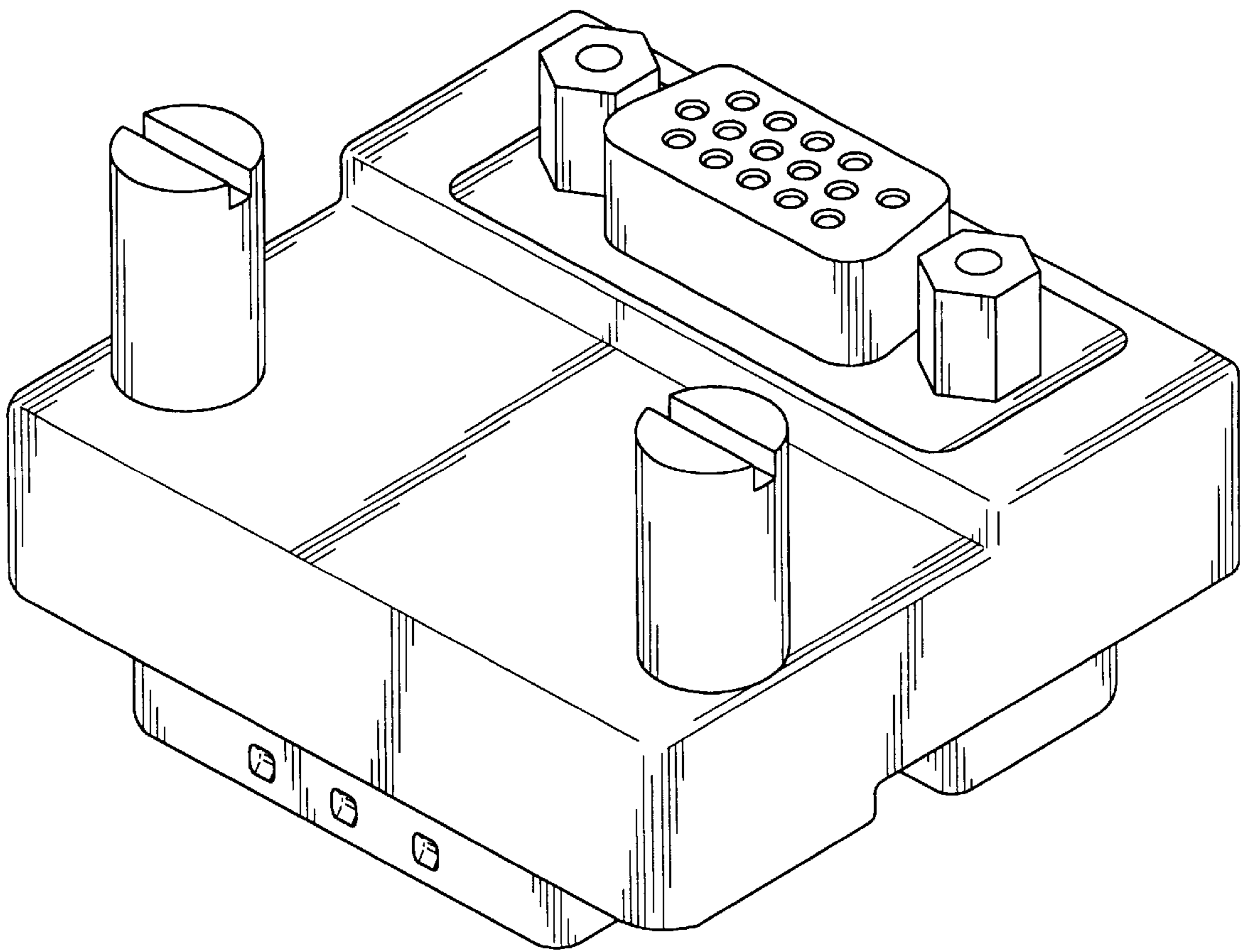


FIG. 1

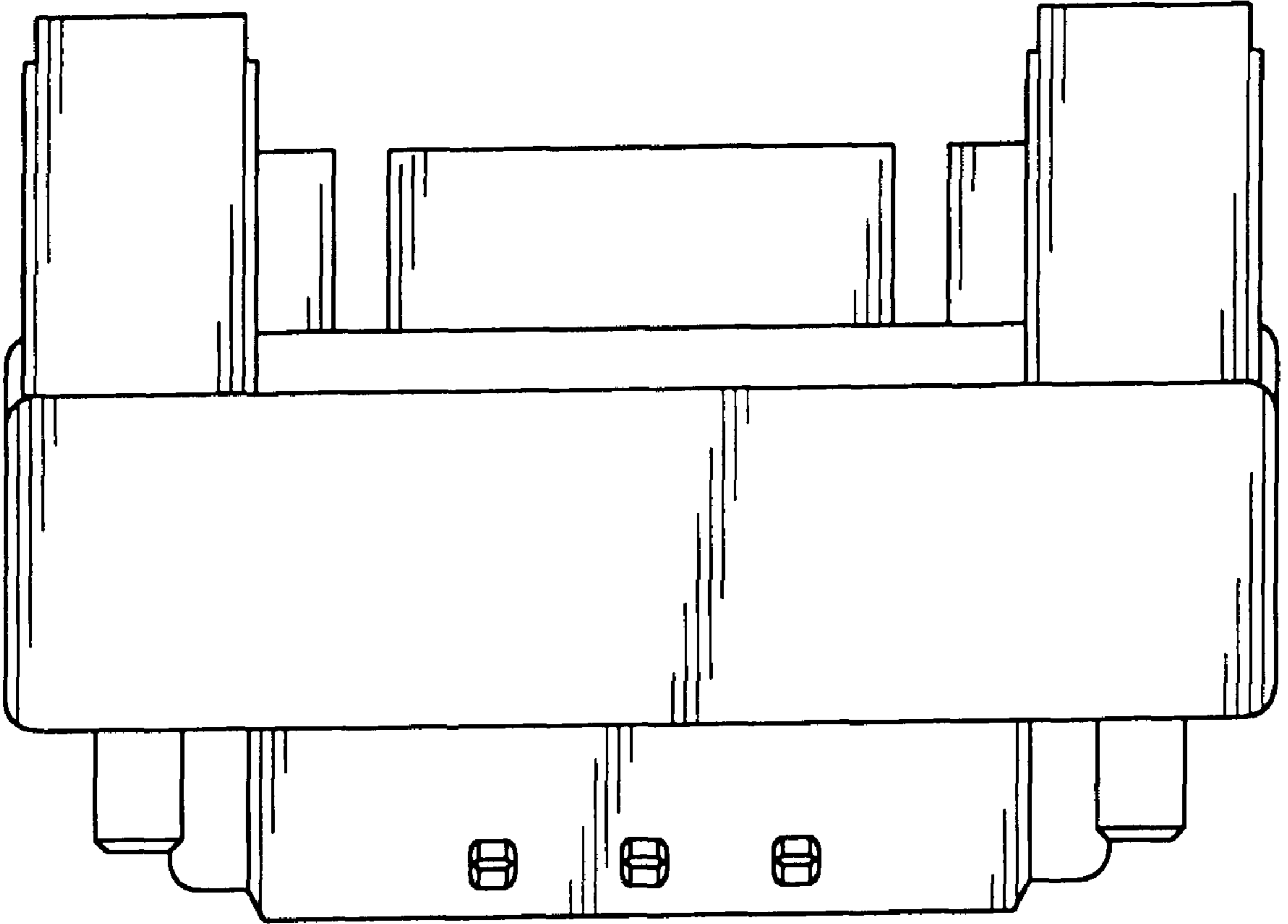


FIG. 2

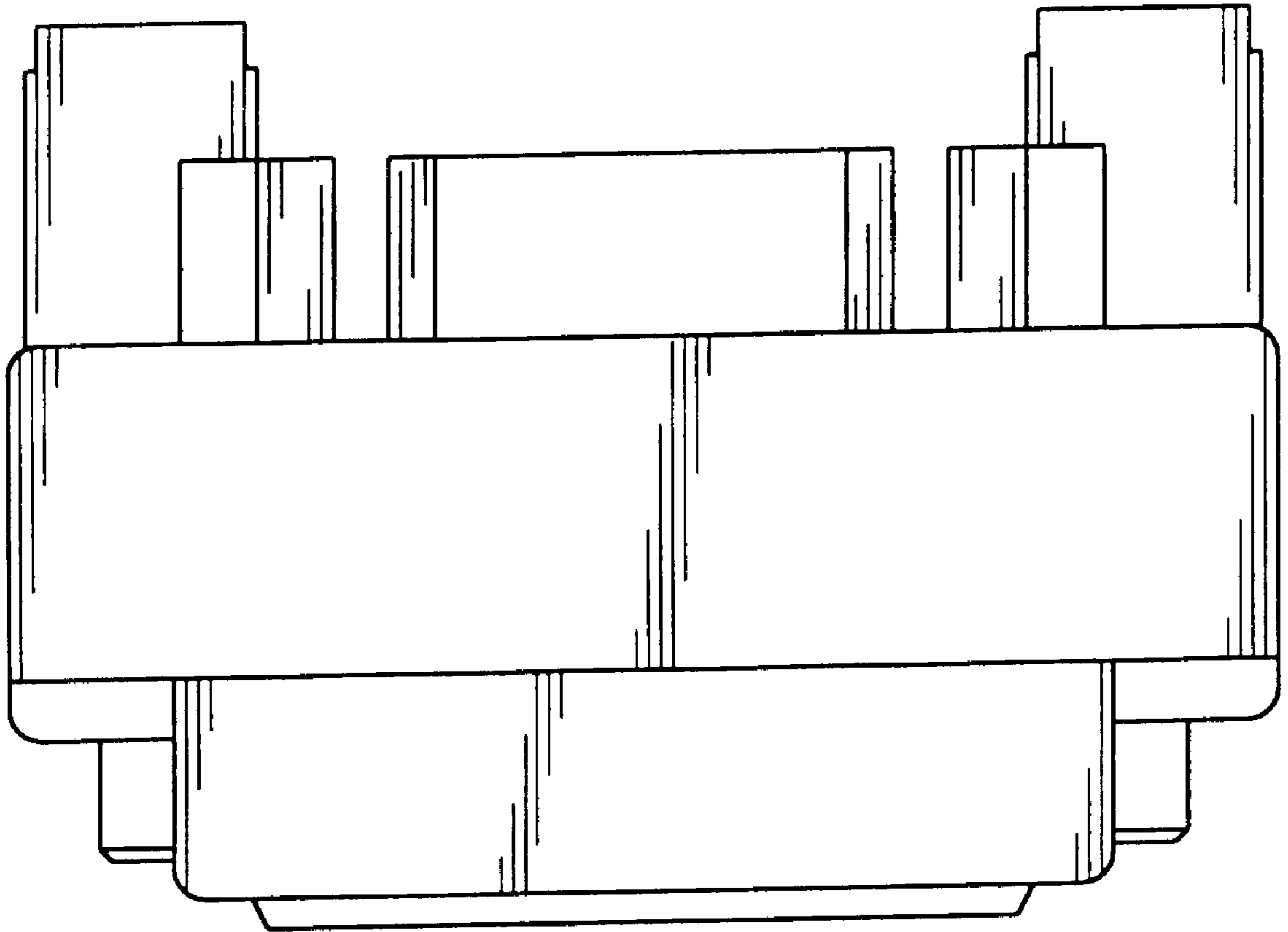


FIG. 3

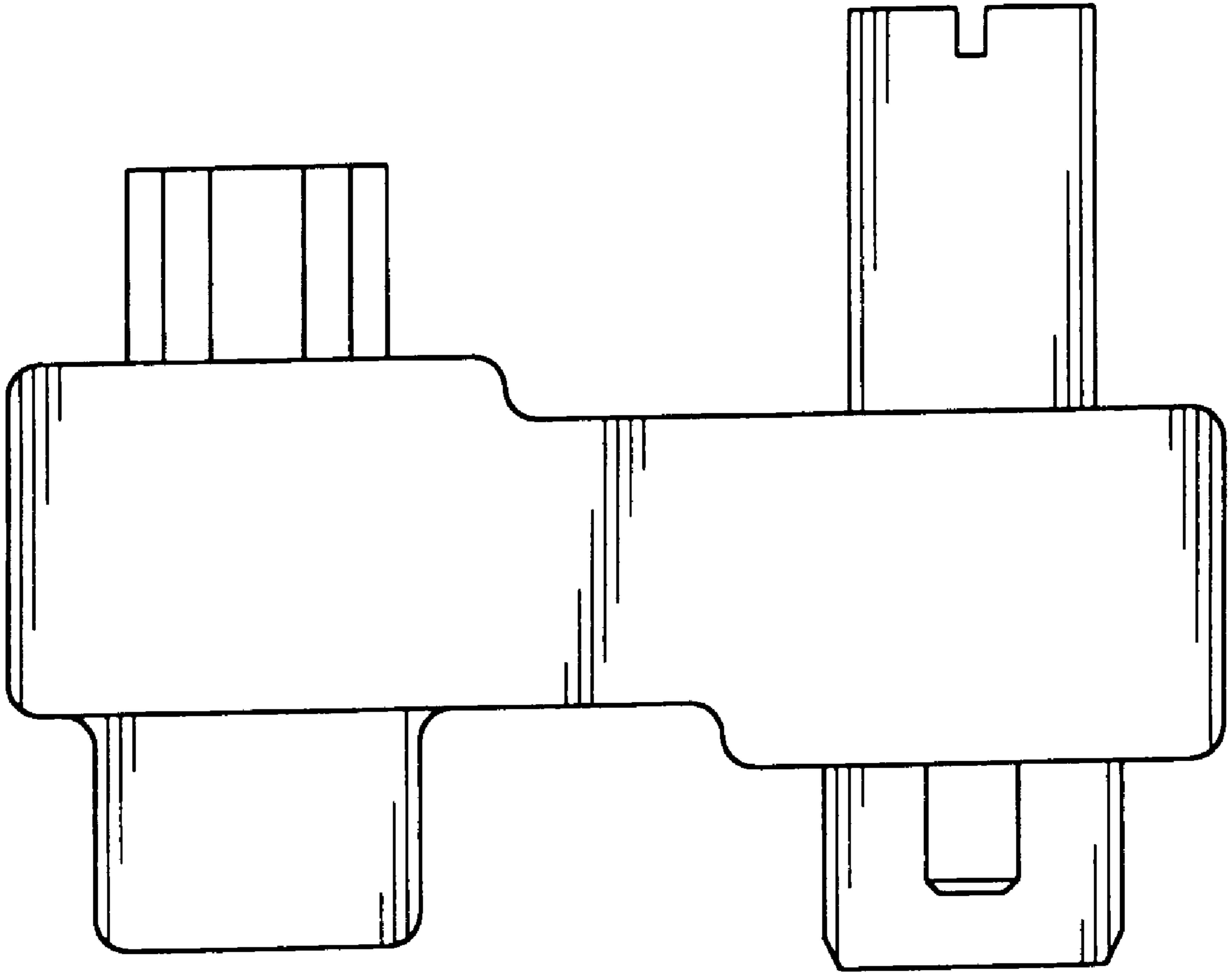


FIG. 4

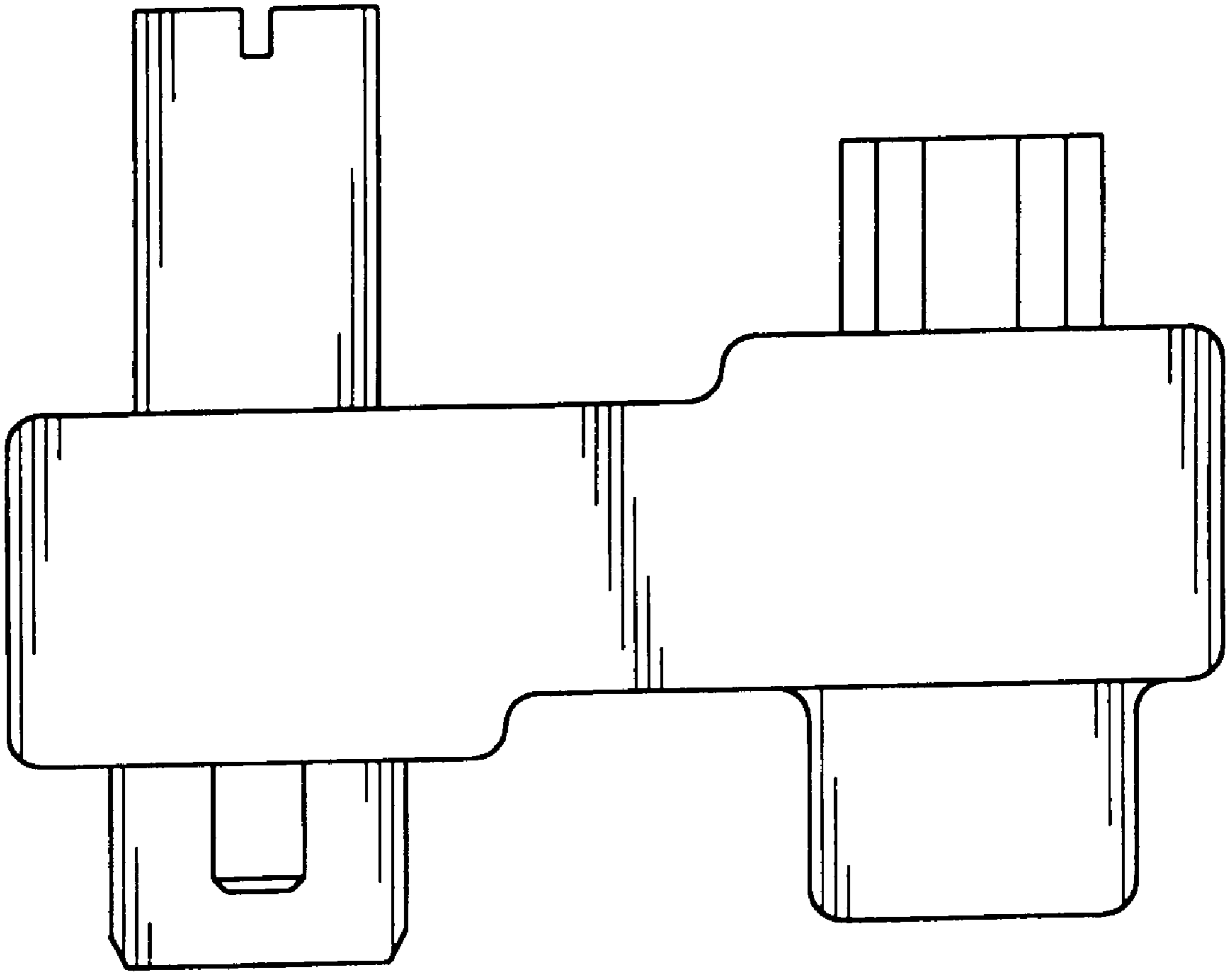


FIG. 5

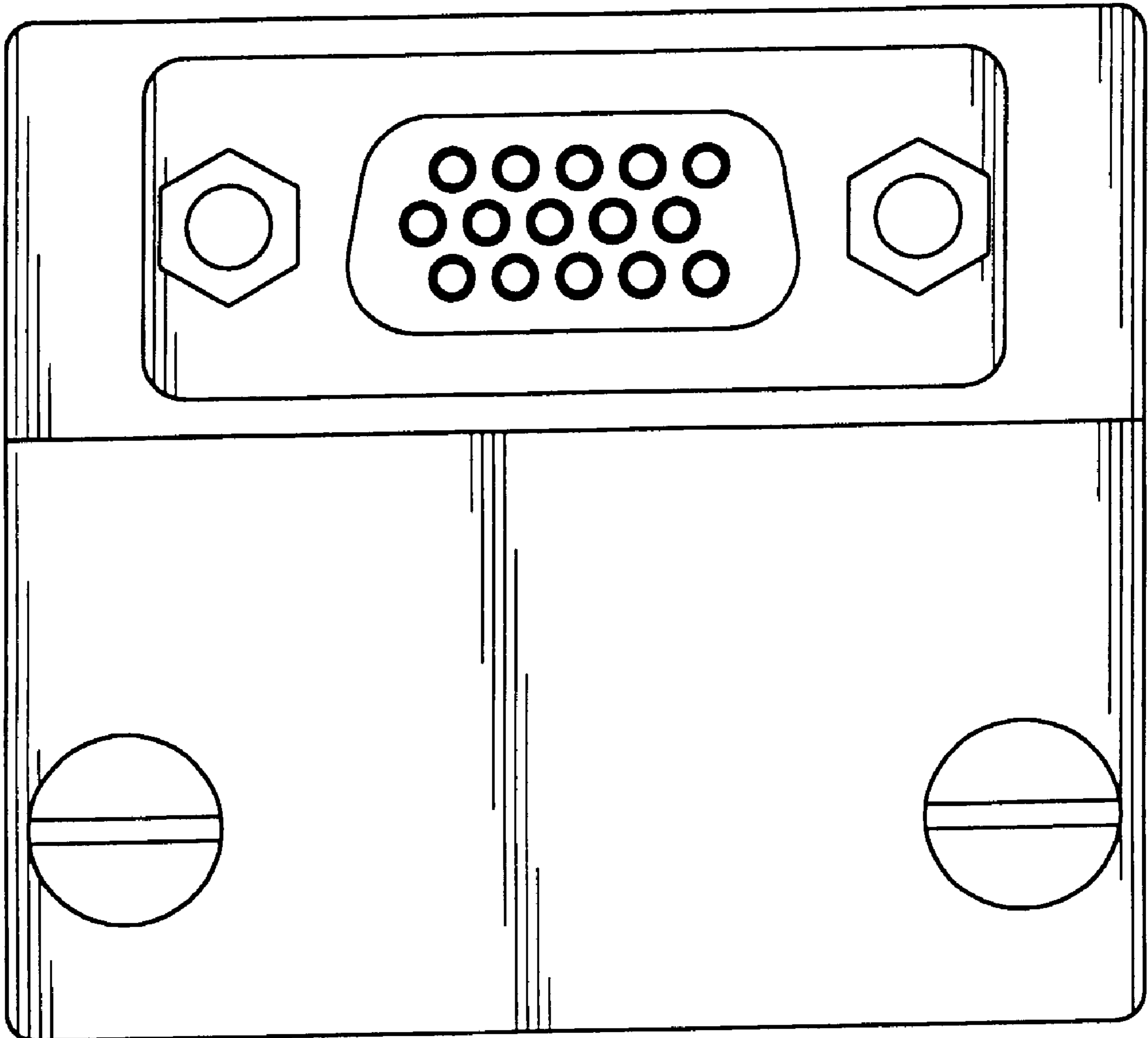


FIG. 6

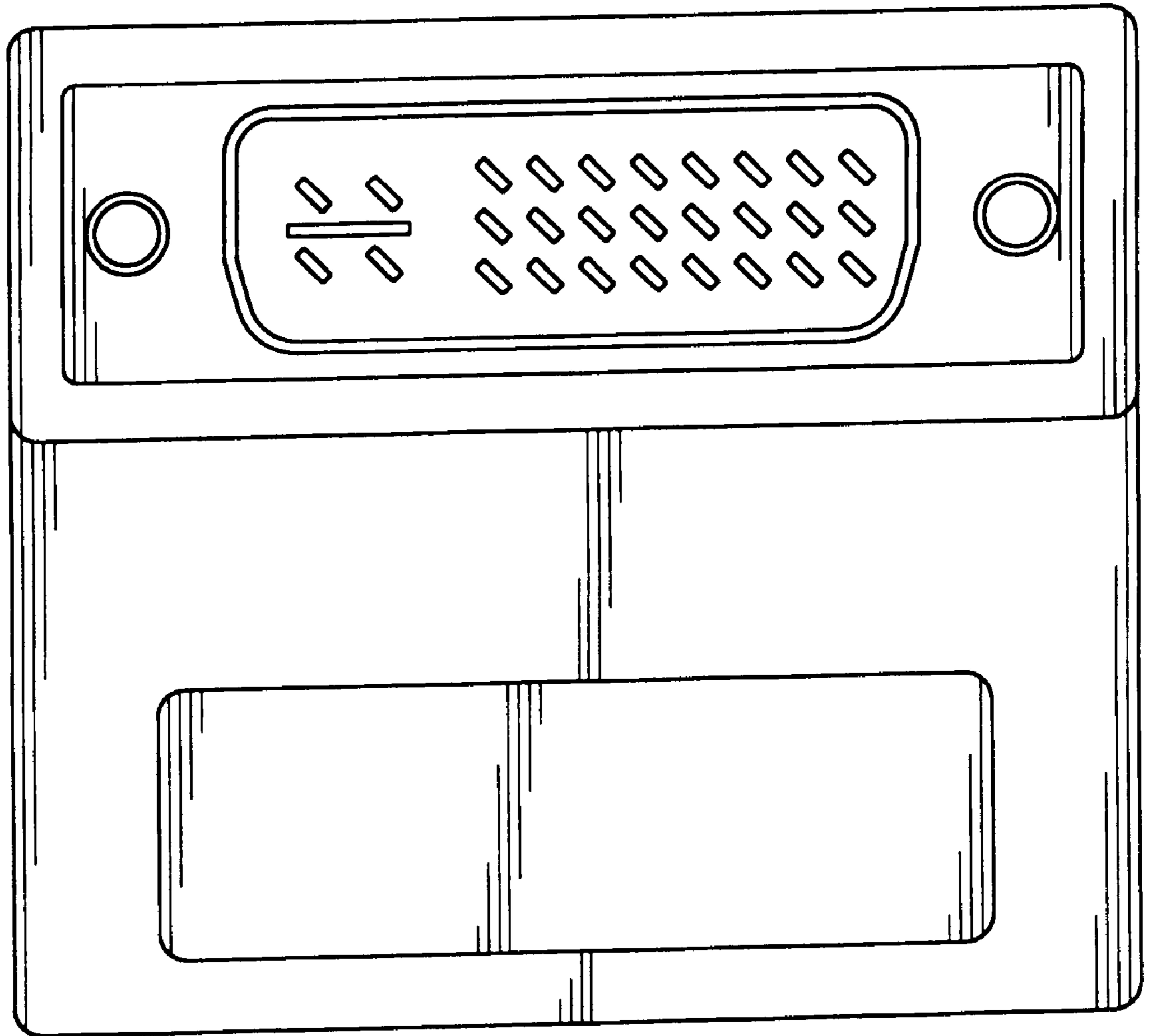


FIG. 7