



US00D435242S

United States Patent [19] Yoshida

[11] Patent Number: **Des. 435,242**

[45] Date of Patent: **** Dec. 19, 2000**

[54] **DC-AC INVERTER FOR AUTOMOBILE**

[75] Inventor: **Masahiro Yoshida**, Osaka, Japan

[73] Assignee: **New-Era Co., Ltd.**, Osaka, Japan

[**] Term: **14 Years**

[21] Appl. No.: **29/119,505**

[22] Filed: **Mar. 2, 2000**

[30] Foreign Application Priority Data

Dec. 3, 1999 [JP] Japan 11-33609

[51] **LOC (7) Cl.** **13-02**

[52] **U.S. Cl.** **D13/110**

[58] **Field of Search** D13/110, 123,
D13/144; 361/600; 307/10.1; 439/500

[56] References Cited

U.S. PATENT DOCUMENTS

- D. 202,468 10/1965 Tetz D13/123
- D. 327,050 6/1992 Zirinsky D13/110
- D. 379,085 5/1997 Mackay D13/110
- D. 408,787 4/1999 Seragnoli D13/144

- D. 410,624 6/1999 Loh D13/110
- 3,625,774 12/1971 Rodgers 439/500 X

Primary Examiner—Joel Sincavage

Attorney, Agent, or Firm—W. F. Fasse; W. G. Fasse

[57] CLAIM

The ornamental design for a DC-AC inverter for automobile, as shown and described.

DESCRIPTION

FIG. 1 is a front view of a DC-AC inverter for automobile showing my new design;

FIG. 2 is a rear view thereof;

FIG. 3 is a top plan view thereof;

FIG. 4 is a bottom plan view thereof;

FIG. 5 is a left side view thereof;

FIG. 6 is a right side view thereof;

FIG. 7 is a perspective view thereof; and,

FIG. 8 is a cross sectional view taken along line 8—8 of a top plan view thereof.

Throughout the drawings the cord is shown broken away to indicate indeterminate length.

1 Claim, 5 Drawing Sheets

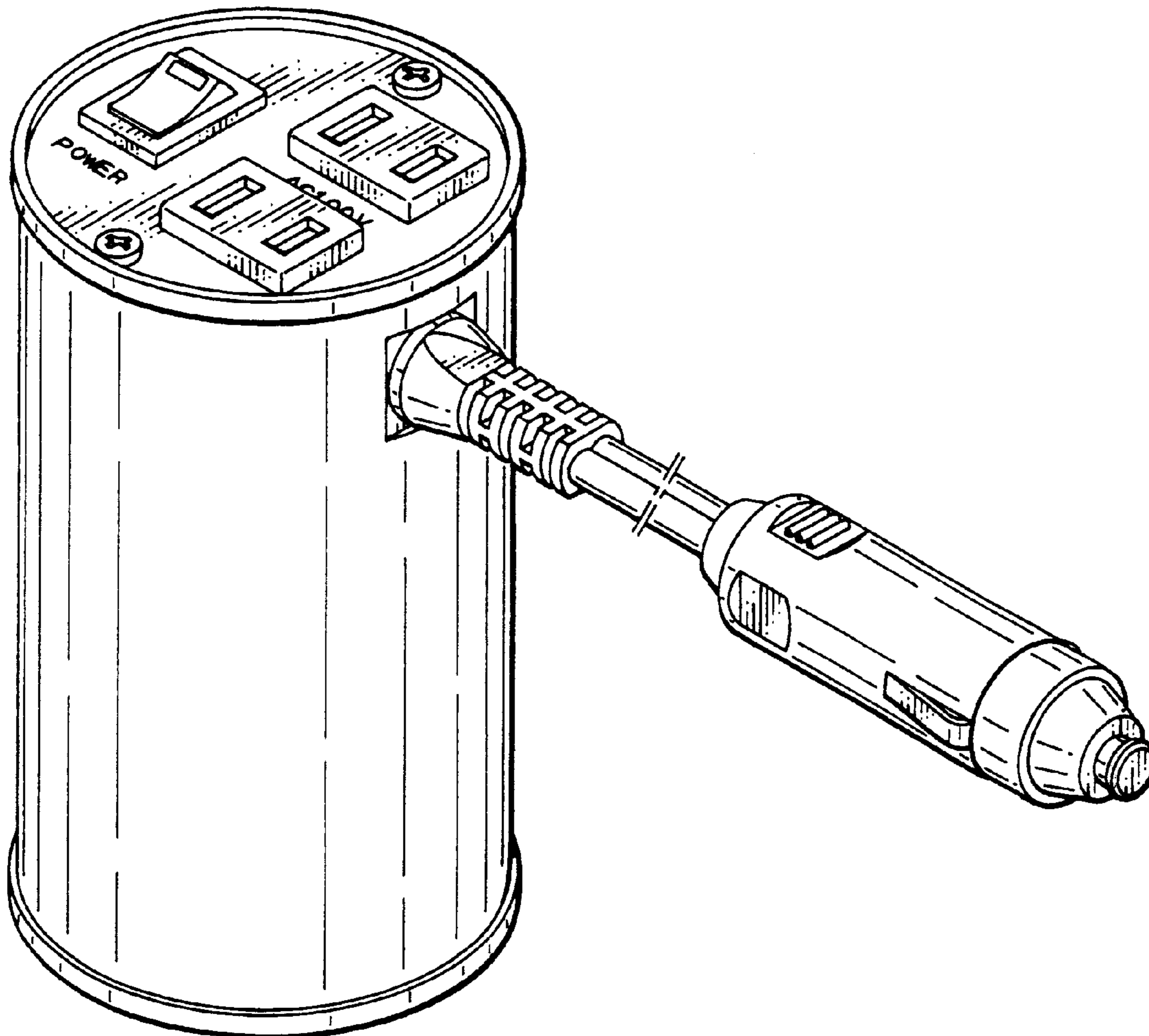


Fig. 1

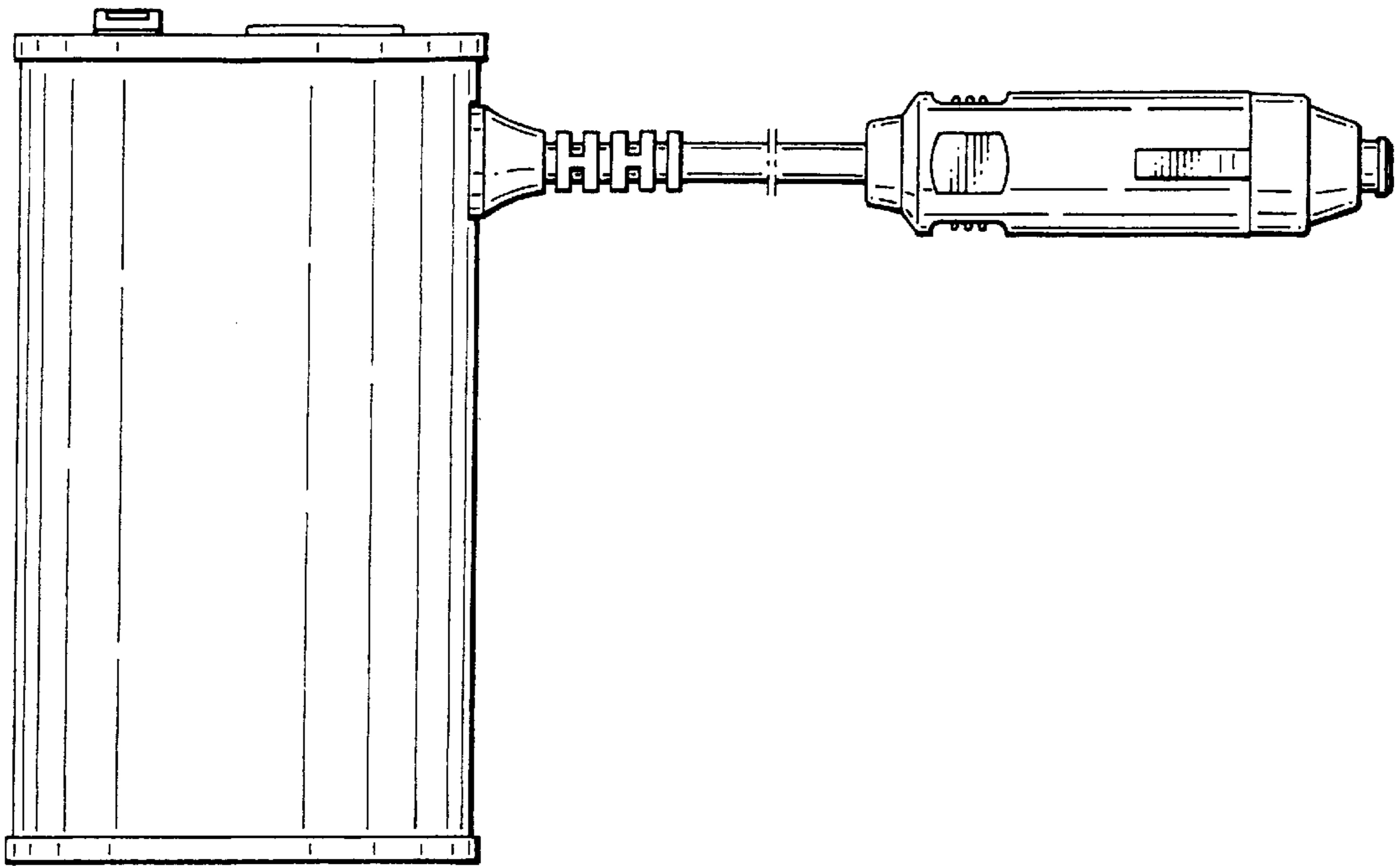


Fig. 2

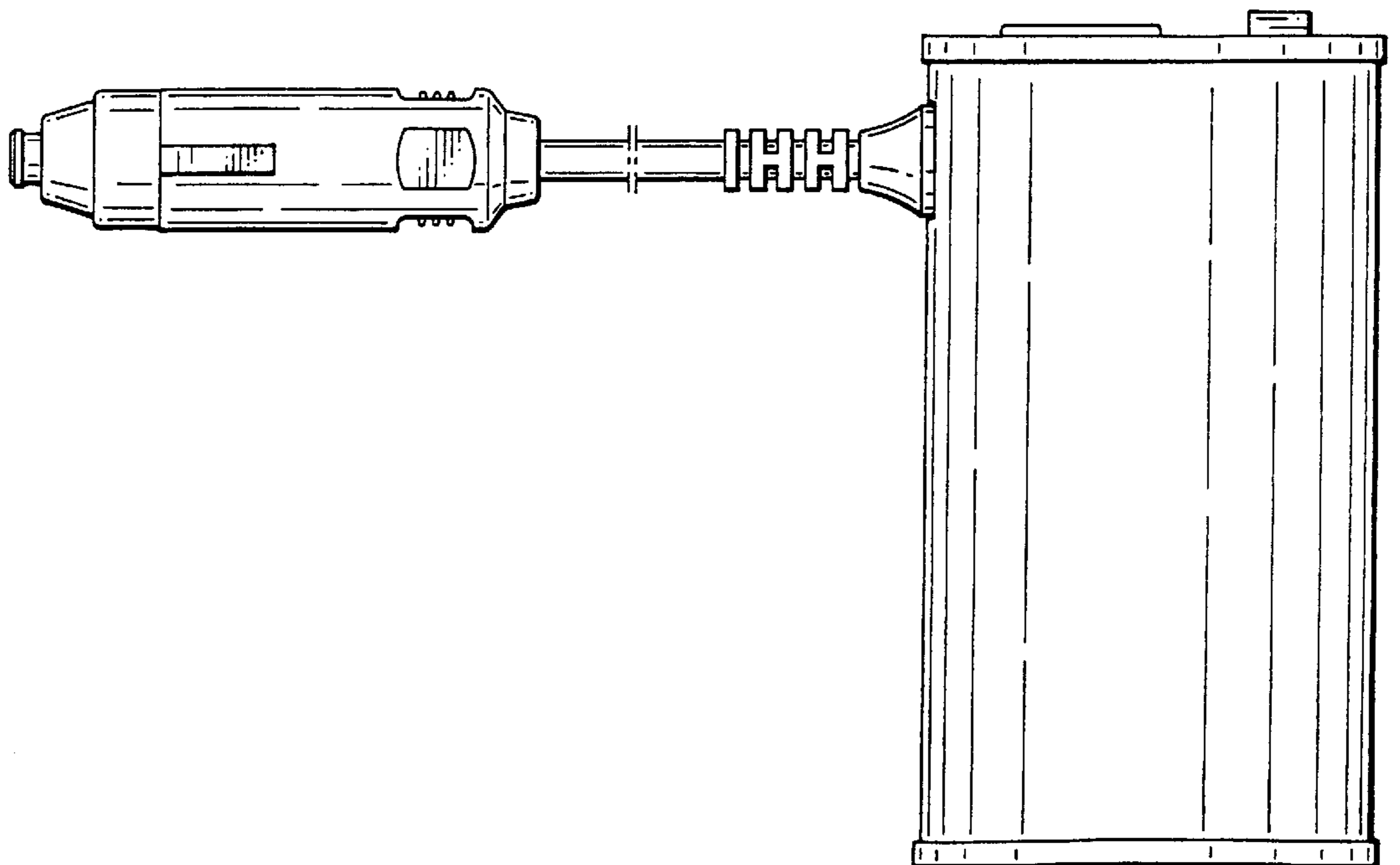


Fig. 3

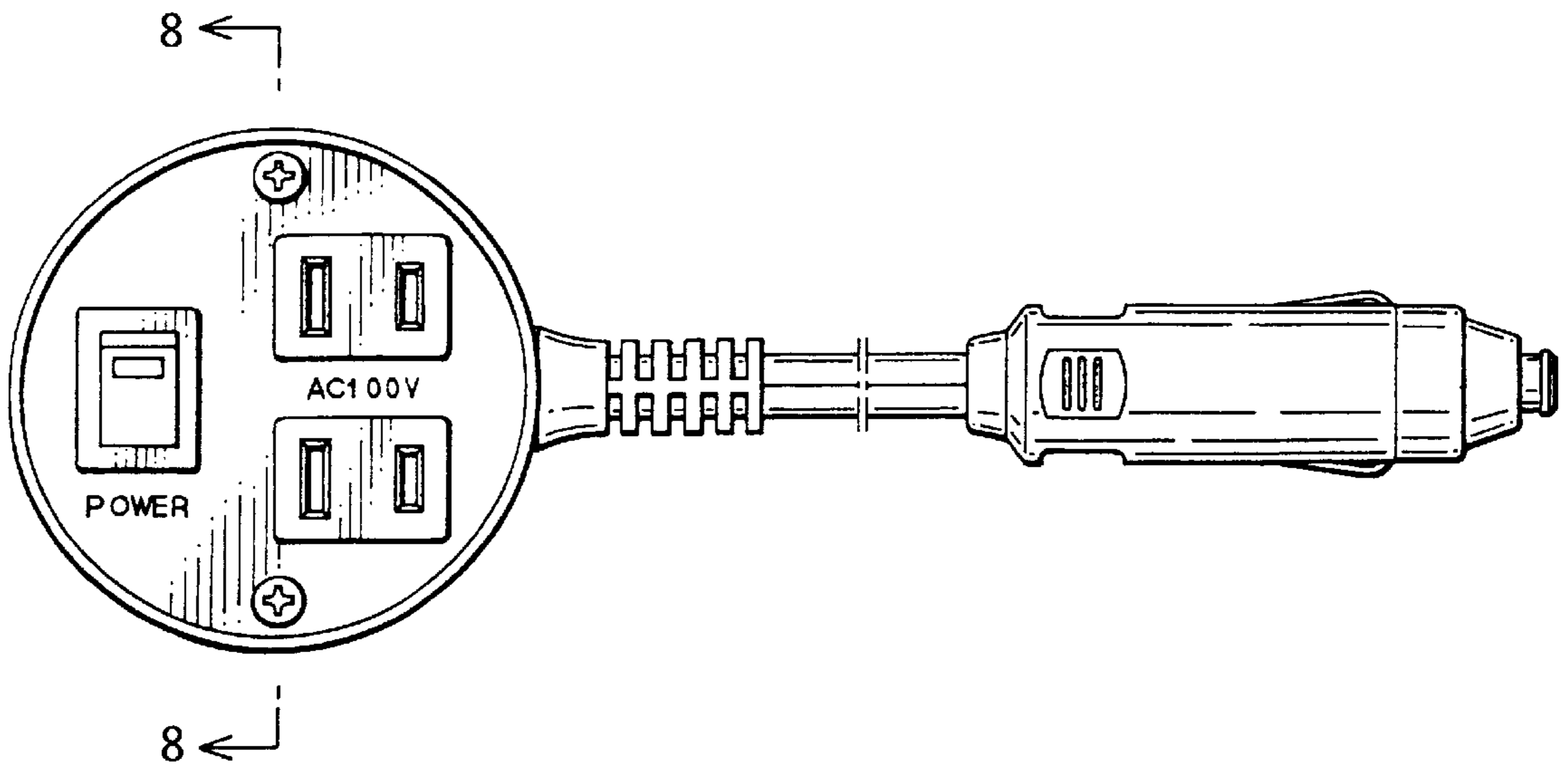


Fig. 4

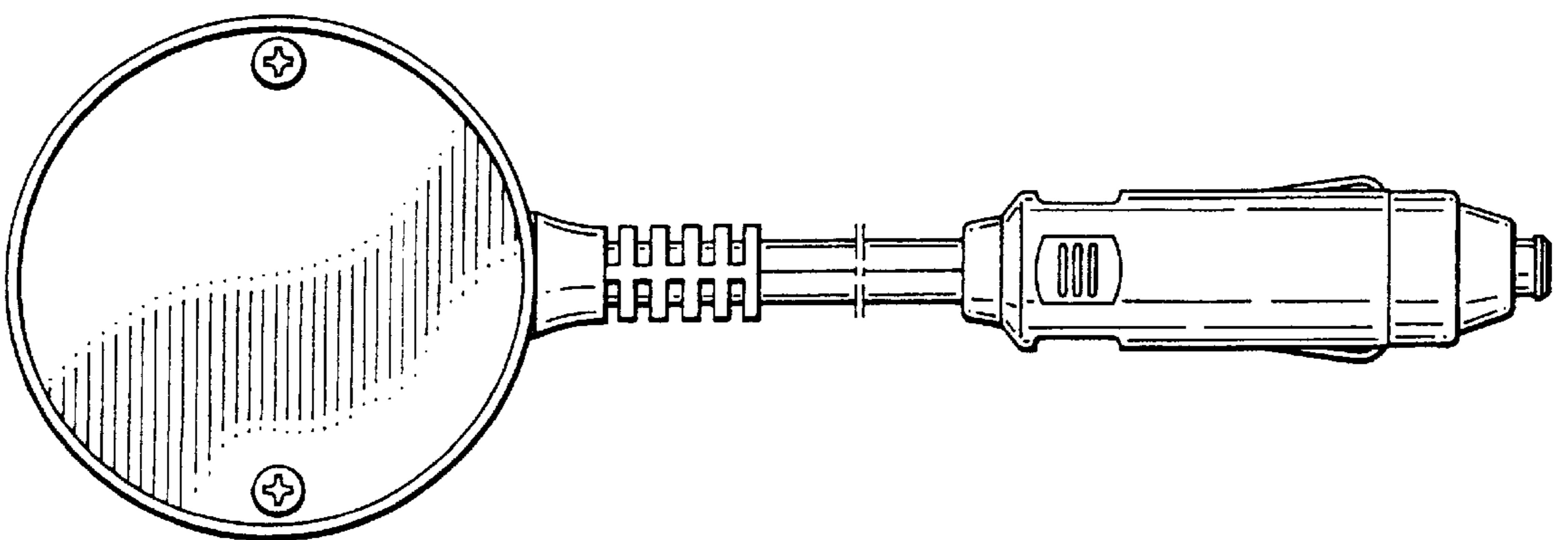


Fig. 5

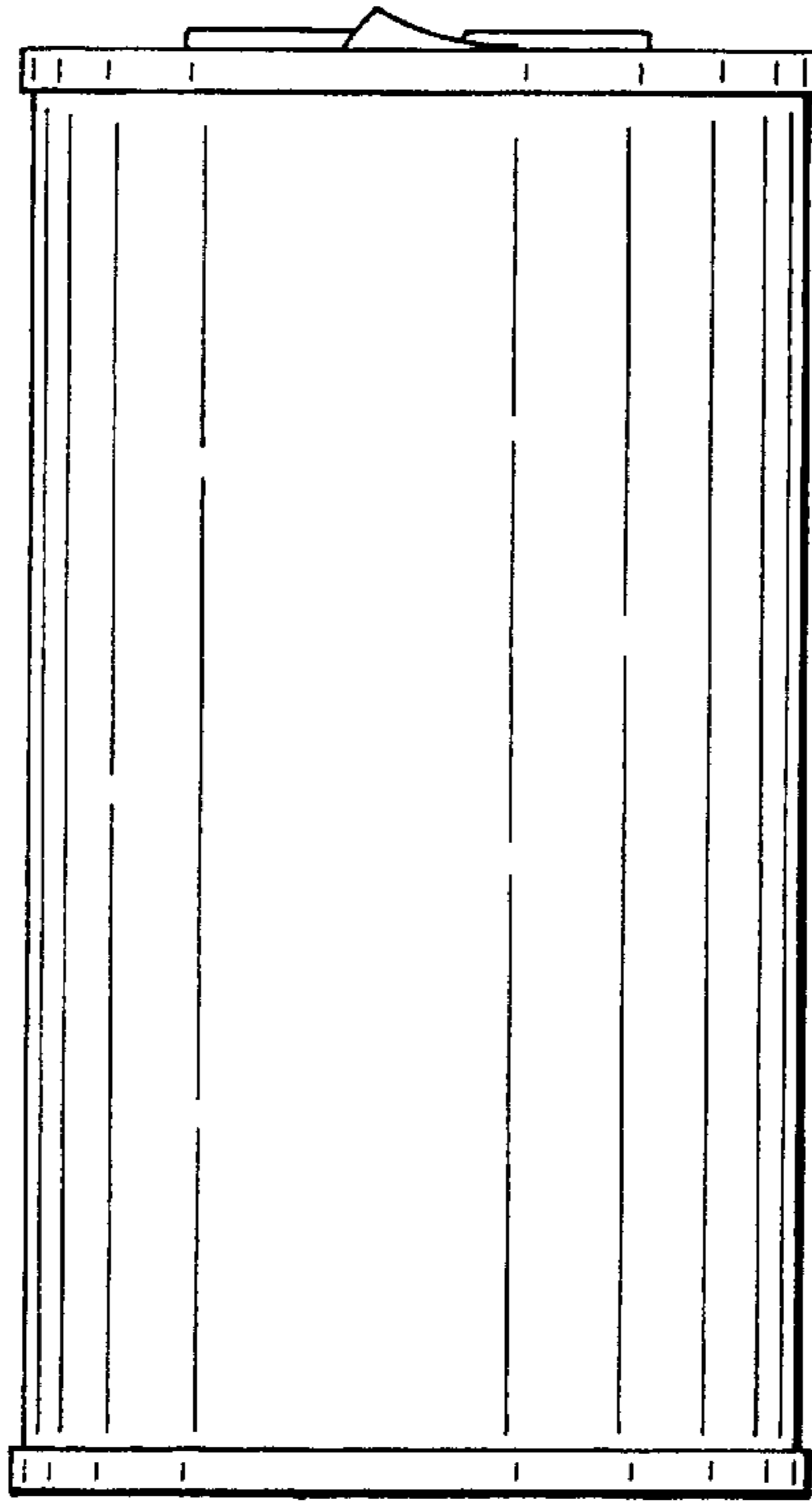


Fig. 6

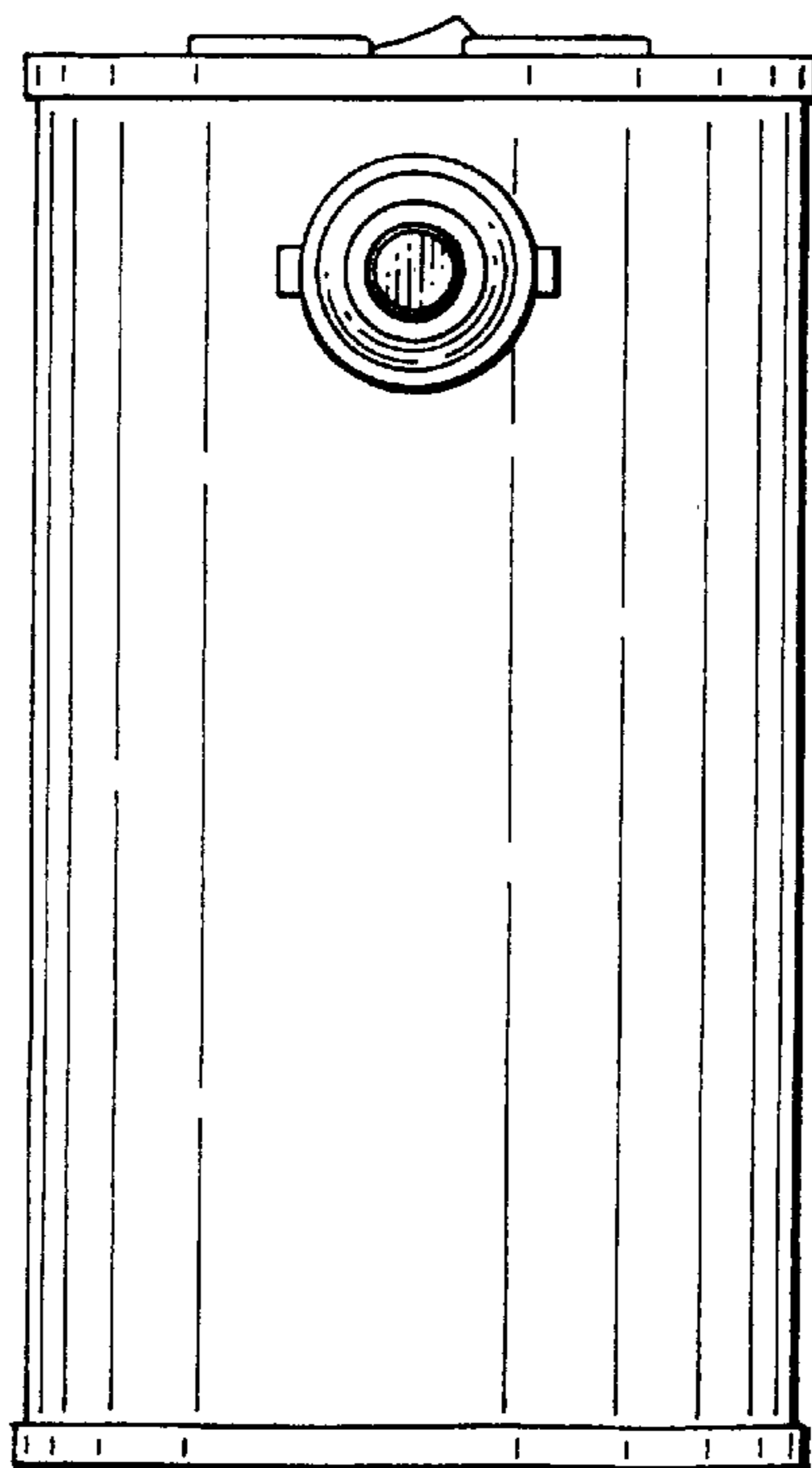


Fig. 7

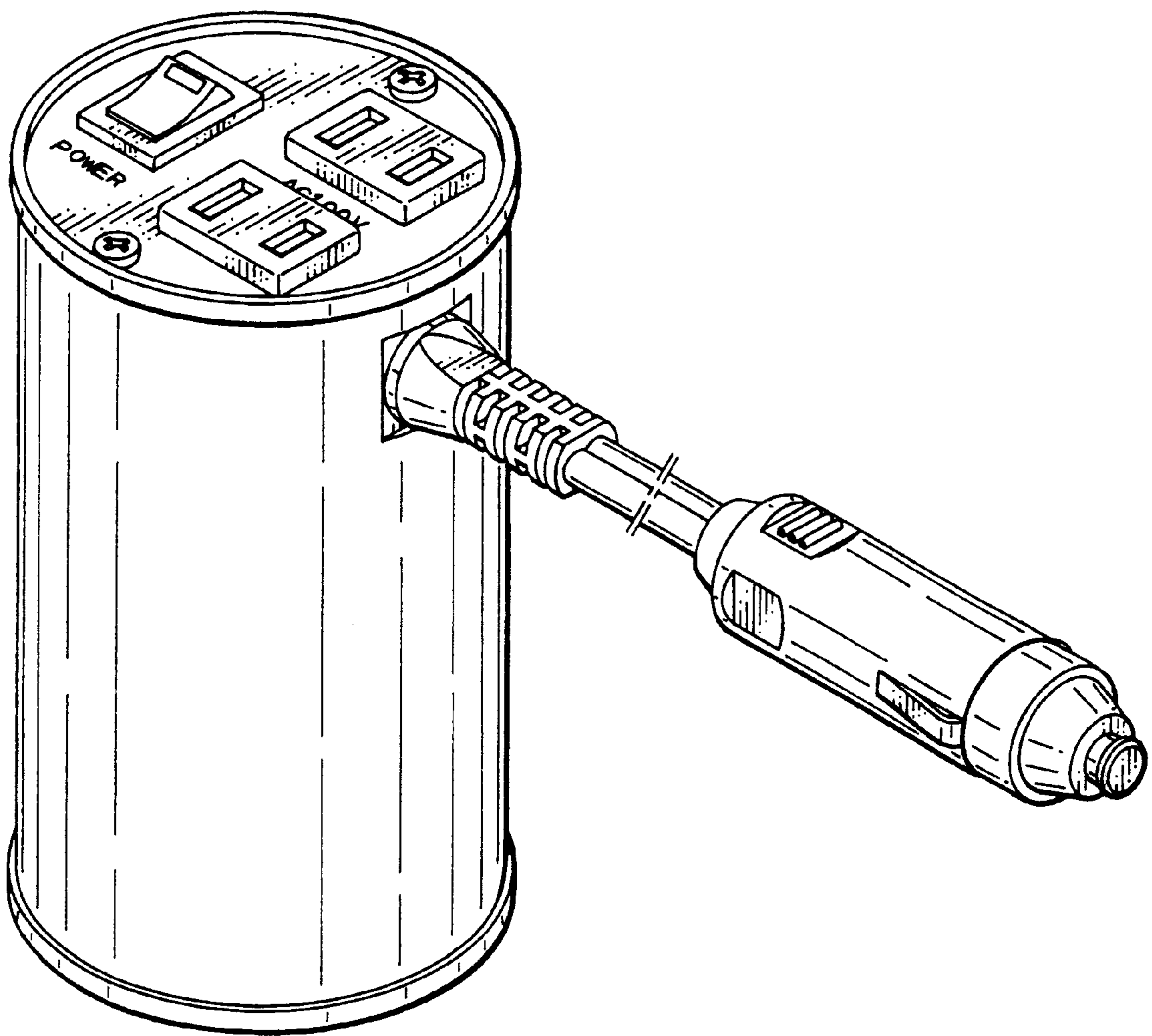


Fig. 8

