



US00D435236S

United States Patent [19]

Hanlon et al.

[11] **Patent Number: Des. 435,236**

[45] **Date of Patent: ** Dec. 19, 2000**

[54] **MOTORCYCLE SHOCK**

[75] Inventors: **Daniel L. Hanlon**, Burnsville; **David P. Hanlon**; **Jennie L. Hanlon**, both of Apple Valley; **Anthony N. Pink**, Prior Lake, all of Minn.

[73] Assignee: **Excelsior Henderson Motorcycle Company**, Belle Plaine, Minn.

[**] Term: **14 Years**

[21] Appl. No.: **29/091,350**

[22] Filed: **Jul. 28, 1998**

Related U.S. Application Data

[63] Continuation-in-part of application No. 29/074,382, Jul. 28, 1997, abandoned.

[51] **LOC (7) Cl.** **12-16**

[52] **U.S. Cl.** **D12/159**

[58] **Field of Search** D12/159, 110; 267/34, 136, 195, 64.28, 67, 68

[56] References Cited

U.S. PATENT DOCUMENTS

D. 262,959 2/1982 Cowan D12/159

D. 277,952	3/1985	Nakano	D12/159
D. 330,529	10/1992	Yun	D12/159
D. 330,530	10/1992	Yun	D12/159
D. 346,781	5/1994	Homme	D12/159
D. 398,269	9/1998	Sennuck et al.	D12/159
D. 416,215	11/1999	Hanlon et al.	D12/110
4,545,601	10/1985	Muller	267/67

Primary Examiner—Melody N. Brown
Attorney, Agent, or Firm—Fogg, Slifer & Polglaze, P.A.;
Russell D. Slifer

[57] CLAIM

The ornamental design for a motorcycle shock, as shown.

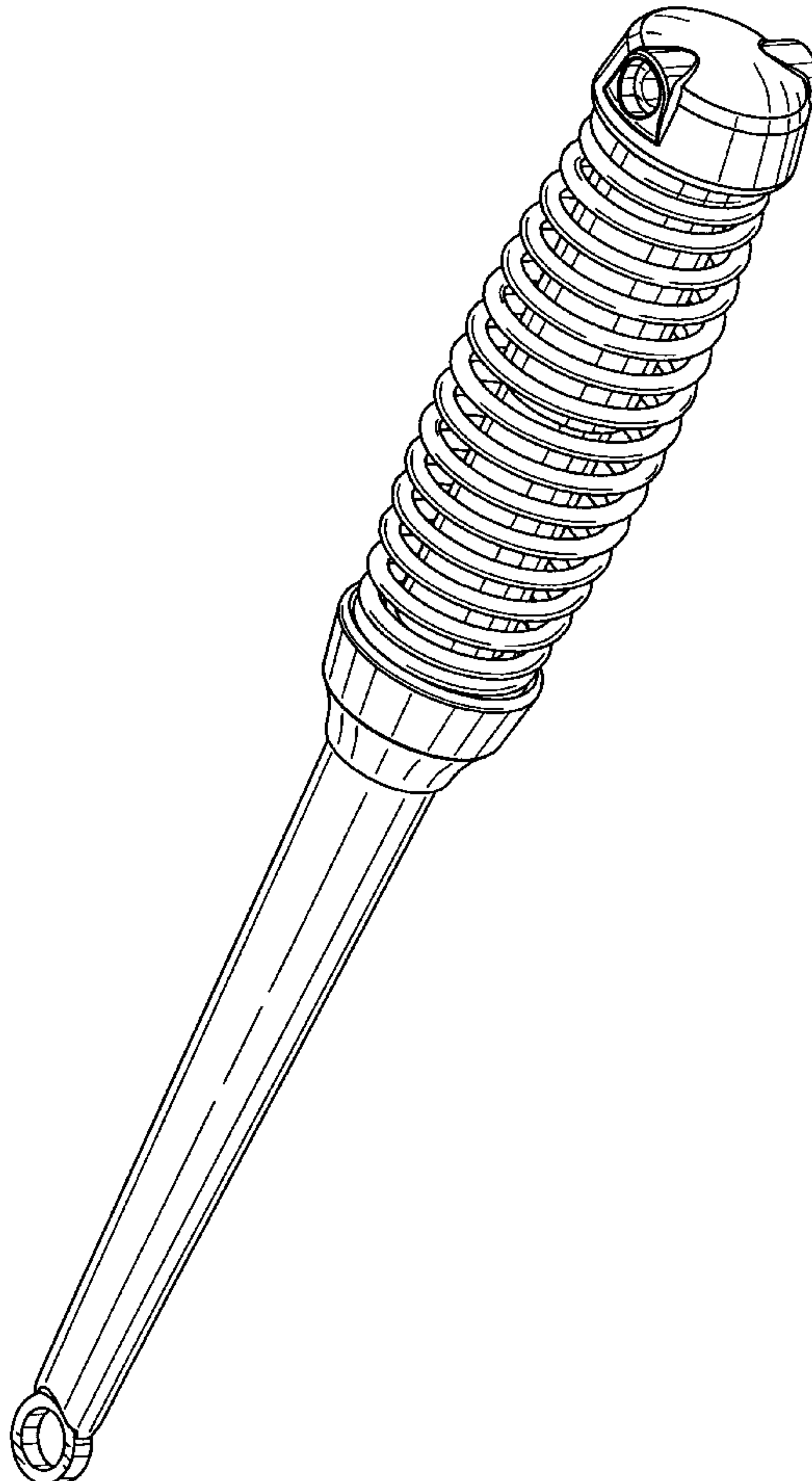
DESCRIPTION

FIG. 1 is a top perspective view of a motorcycle shock incorporating a design according to the invention.

FIG. 2 is a left side view of the motorcycle shock of FIG. 1. FIG. 3 is a right side view of the motorcycle shock of FIG. 1.

FIG. 4 is a front view of the motorcycle shock of FIG. 1. FIG. 5 is a top view of the motorcycle shock of FIG. 1; and, FIG. 6 is a bottom view of the motorcycle shock of FIG. 1.

1 Claim, 3 Drawing Sheets



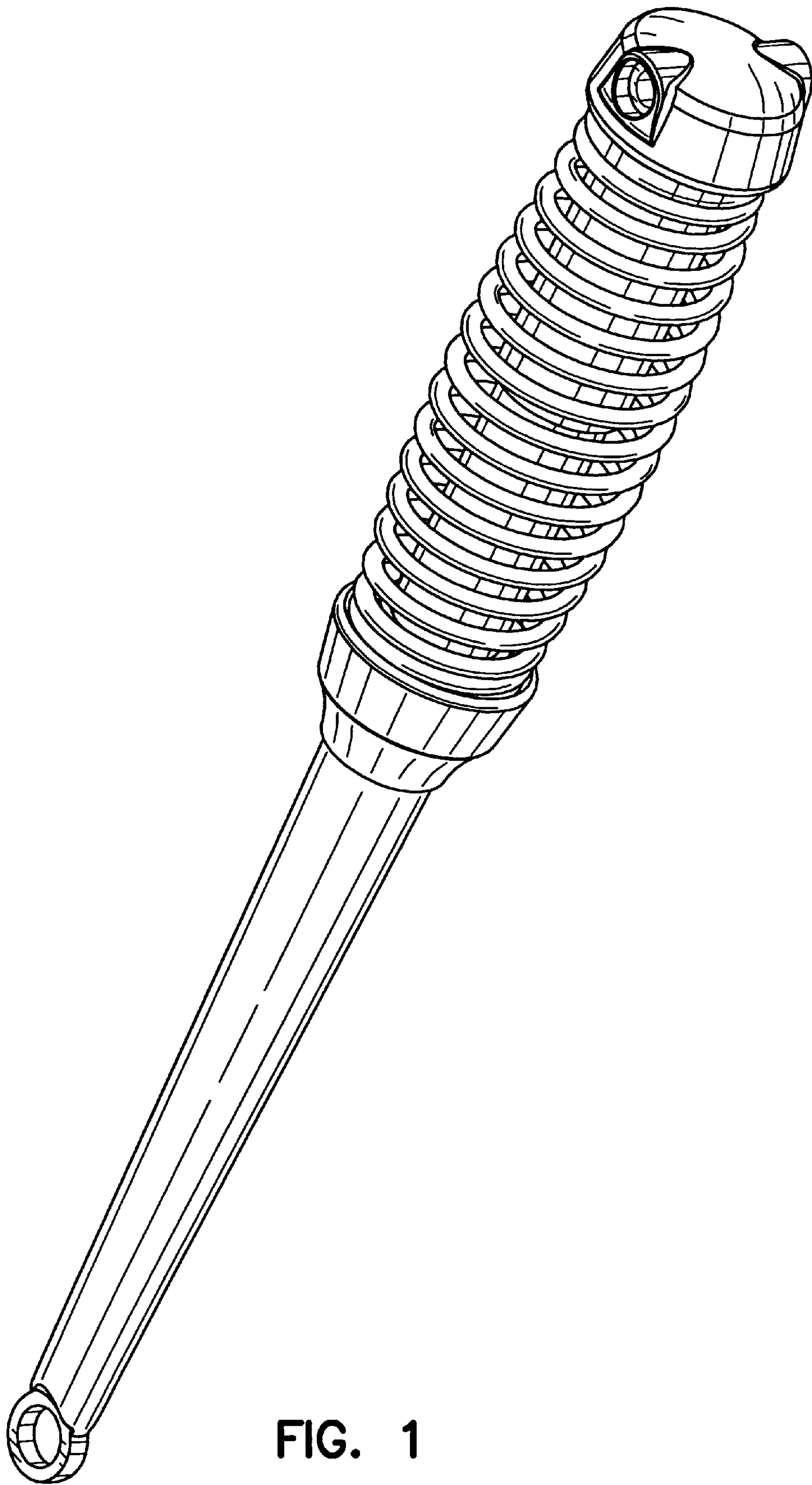


FIG. 1

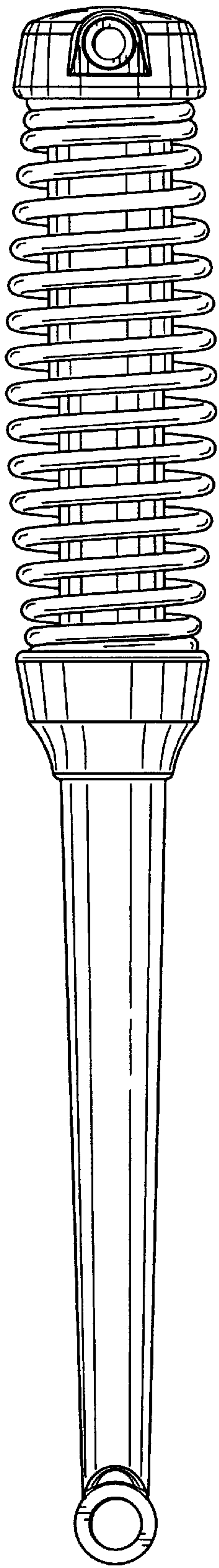


FIG. 2

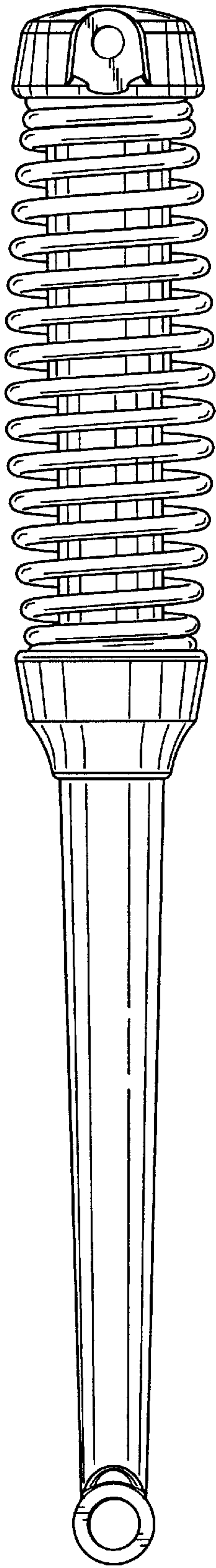


FIG. 3

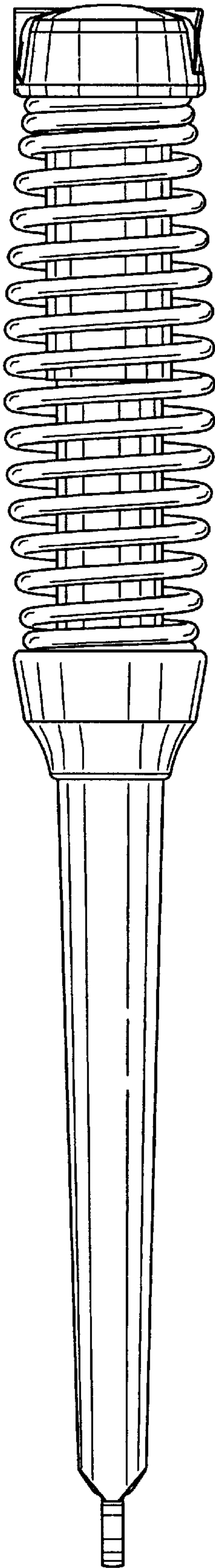


FIG. 4

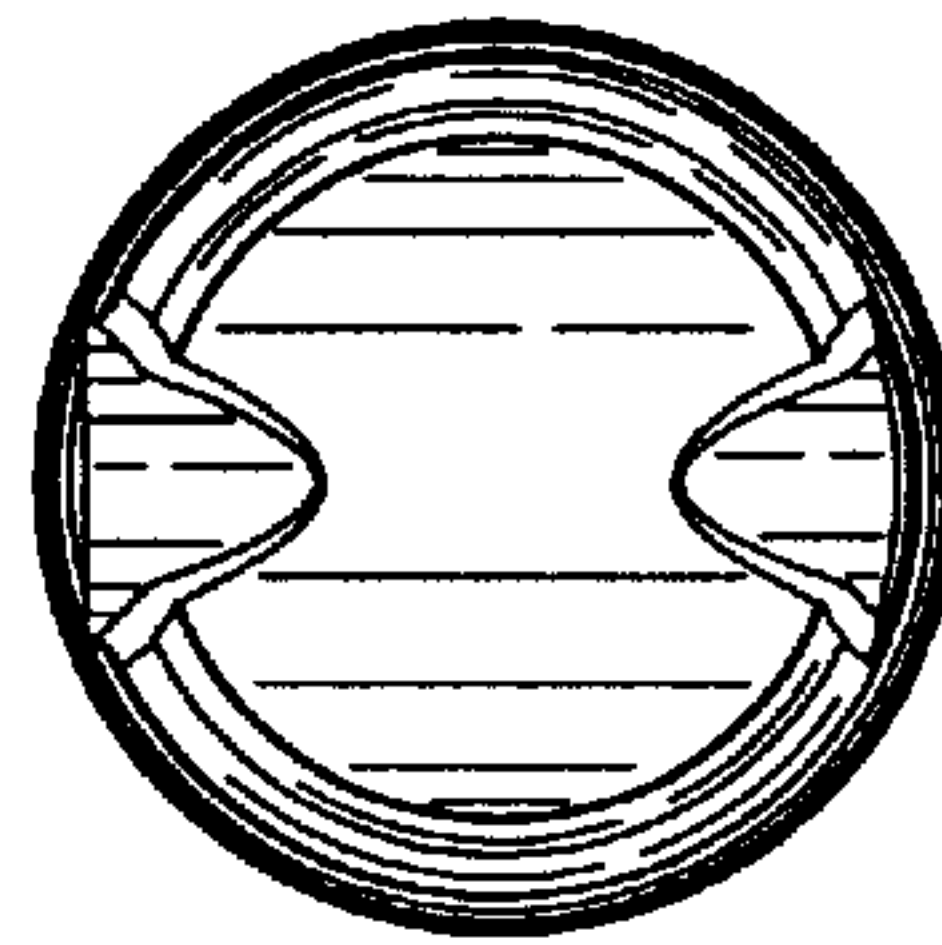


FIG. 5

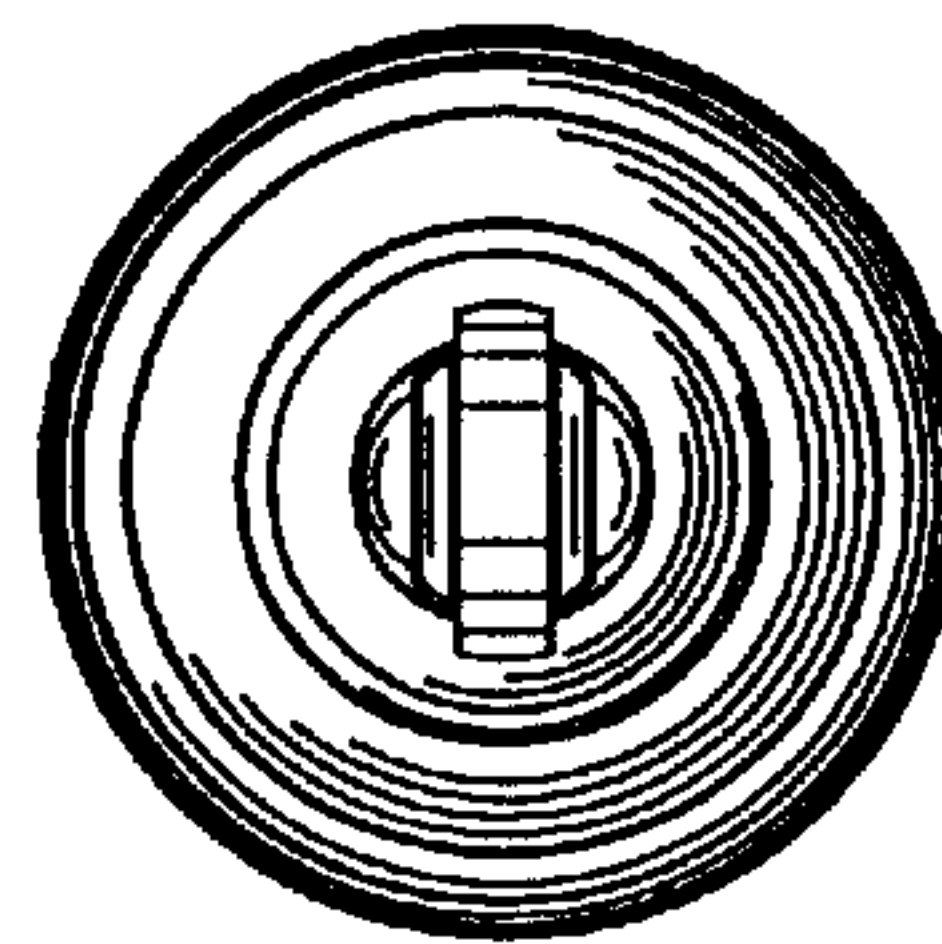


FIG. 6