



US00D435233S

**United States Patent** [19]  
**Fountoulakis**

[11] **Patent Number: Des. 435,233**

[45] **Date of Patent: \*\* Dec. 19, 2000**

[54] **MILITARY CLUTCH**

4,507,344 3/1985 Baughman ..... 24/103  
5,337,584 8/1994 Angeli ..... 24/103

[75] Inventor: **Marcos Fountoulakis, Johnston, R.I.**

[73] Assignee: **Dama Jewelry Technology, Inc., R.I.**

[\*\*] Term: **14 Years**

*Primary Examiner*—Louis S. Zarfaz  
*Assistant Examiner*—Catherine R. Oliver  
*Attorney, Agent, or Firm*—Salter & Michaelson

[21] Appl. No.: **29/119,364**

[22] Filed: **Feb. 28, 2000**

[57] **CLAIM**

The ornamental design for a military clutch, as shown and described.

[51] **LOC (7) Cl.** ..... **02-07**

[52] **U.S. Cl.** ..... **D11/200**

[58] **Field of Search** ..... D11/200–220,  
D11/231, 222, 95; 63/1.1, 1.17, 20; 24/105,  
113 R, 108, 13, 103; 411/918, 955

**DESCRIPTION**

FIG. 1 is a perspective view of a military clutch showing my new design;  
FIG. 2 is a front elevational view thereof;  
FIG. 3 is a rear elevational view thereof;  
FIG. 4 is a side elevational view thereof;  
FIG. 5 is an elevational view of the opposite side thereof;  
FIG. 6 is a top plan view thereof; and,  
FIG. 7 is a bottom plan view thereof.

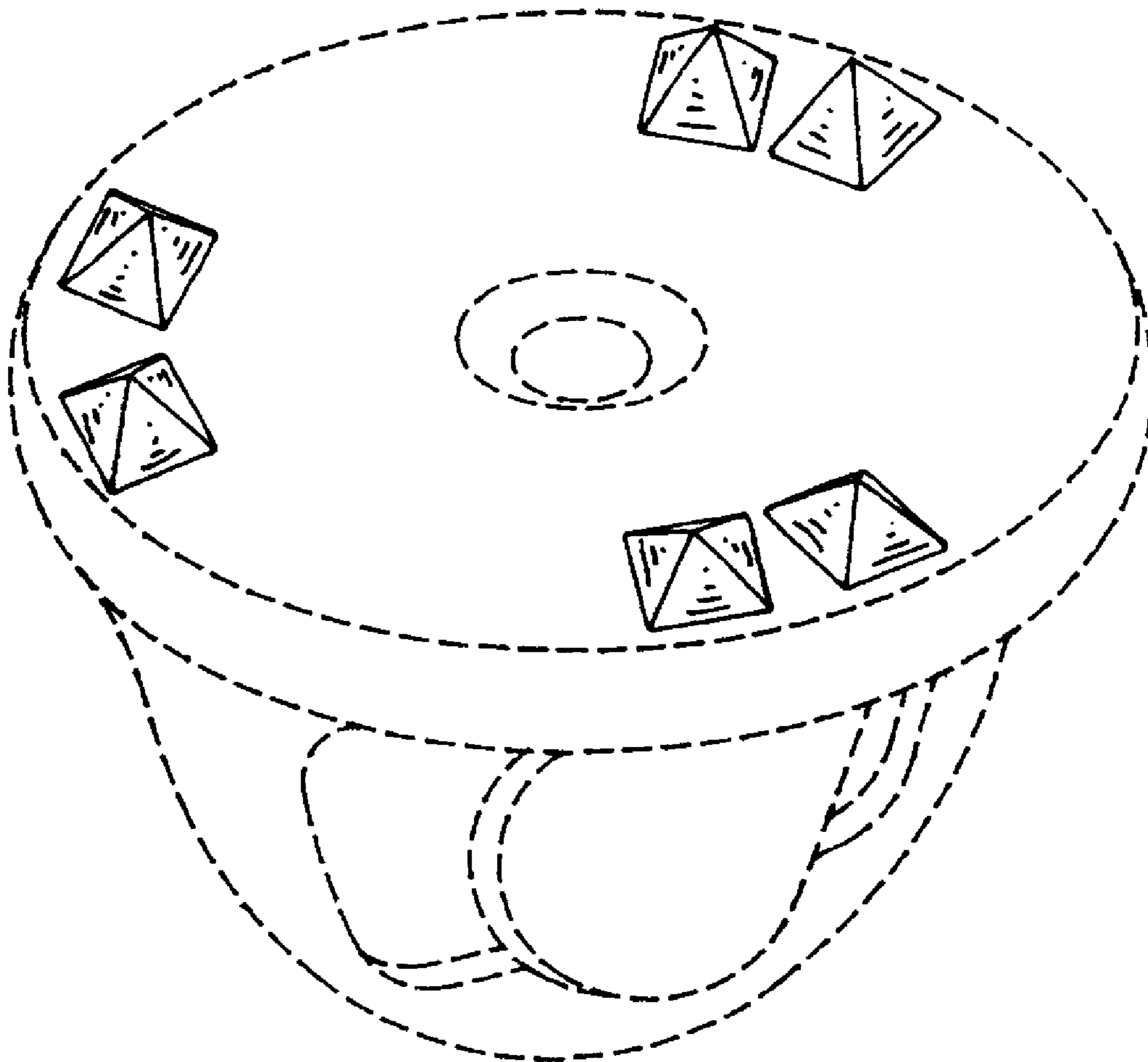
[56] **References Cited**

**U.S. PATENT DOCUMENTS**

920,380 5/1909 Noelle ..... D11/95  
1,318,082 10/1919 Jacoby ..... 24/105  
3,088,295 5/1963 Haines ..... 63/20  
3,357,063 12/1967 Eiben ..... 24/105

The portions in the drawings shown in broken lines are for information only and form no part of the instant design.

**1 Claim, 3 Drawing Sheets**



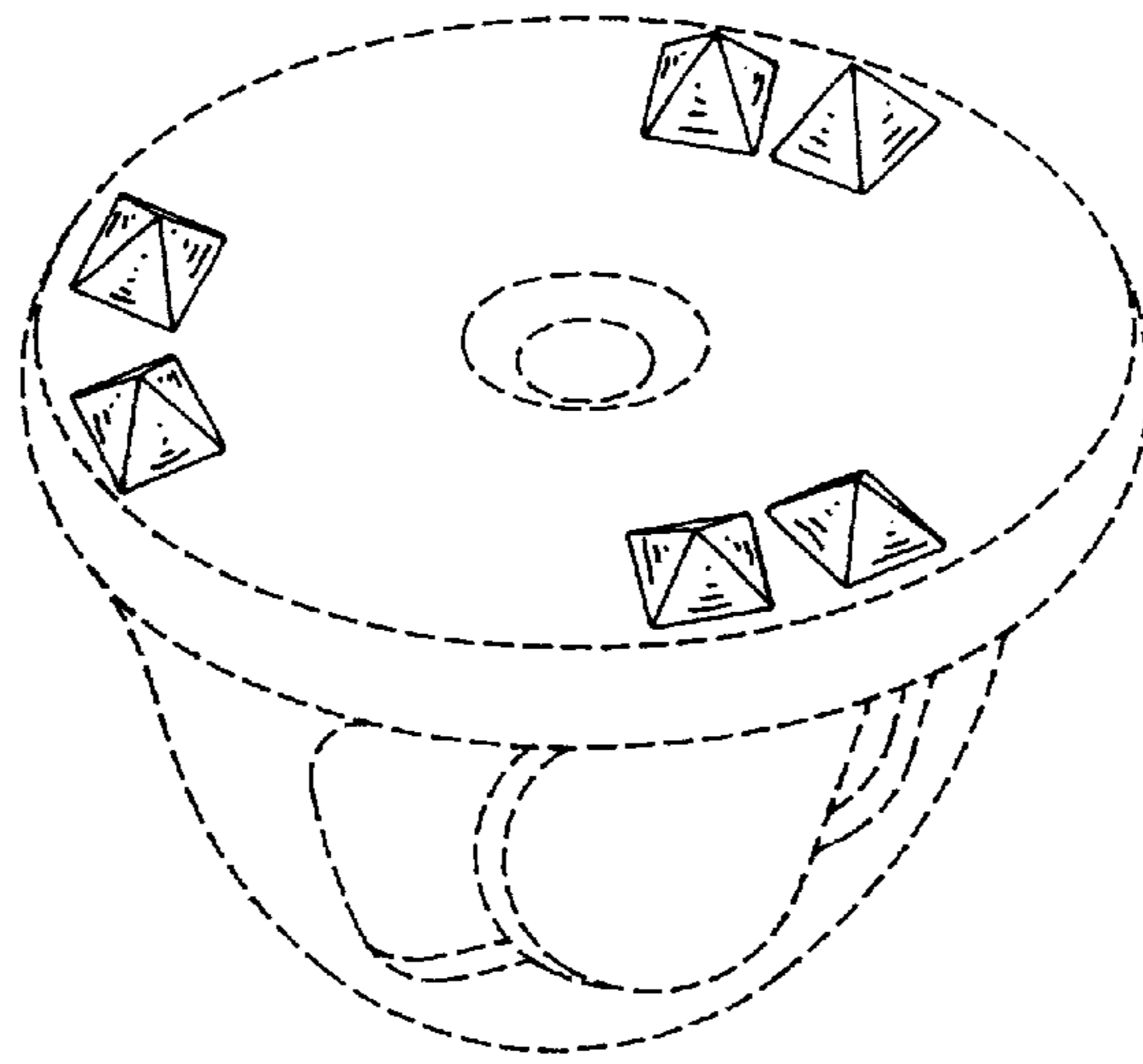


FIG. 1

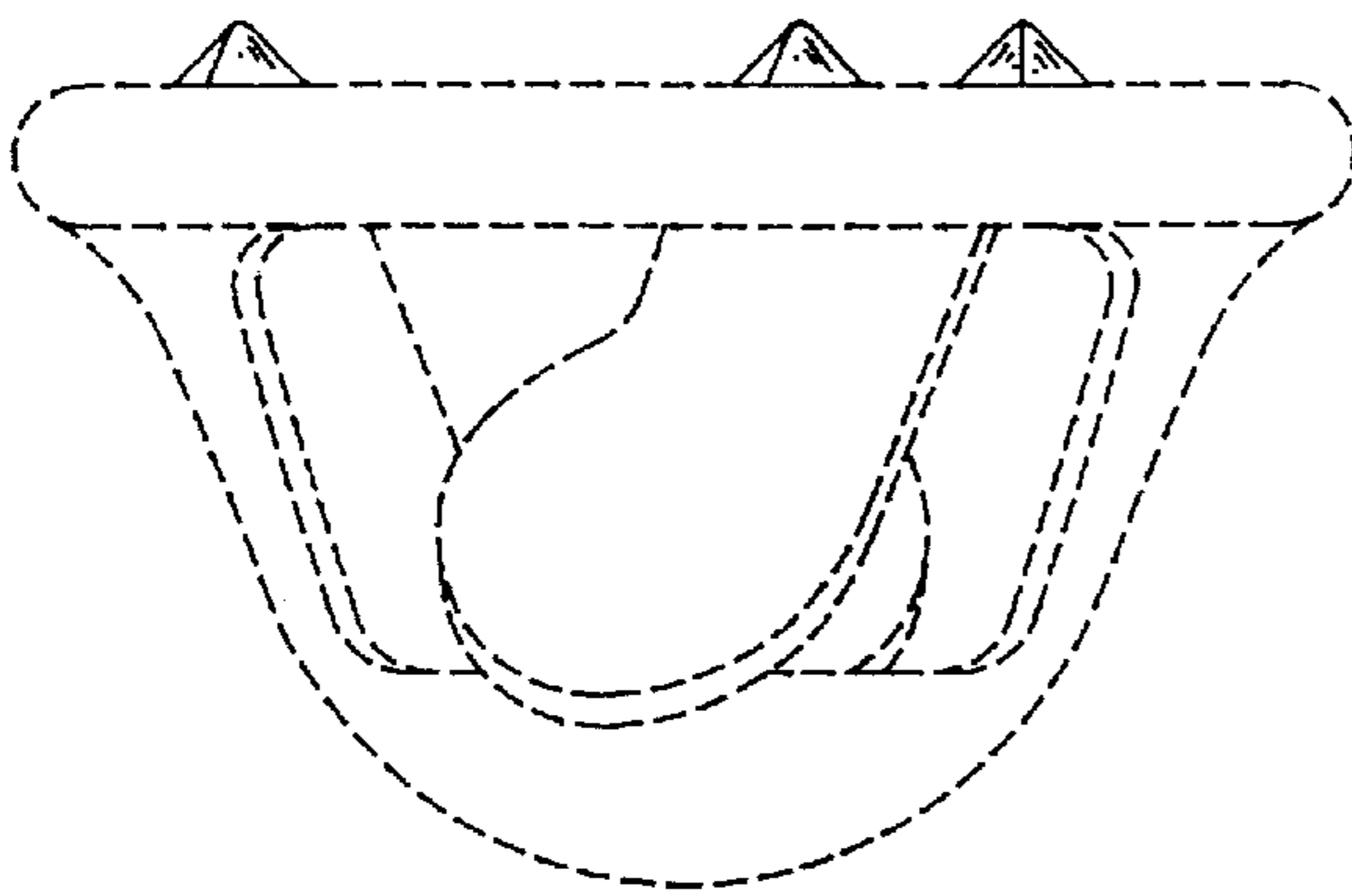


FIG. 2

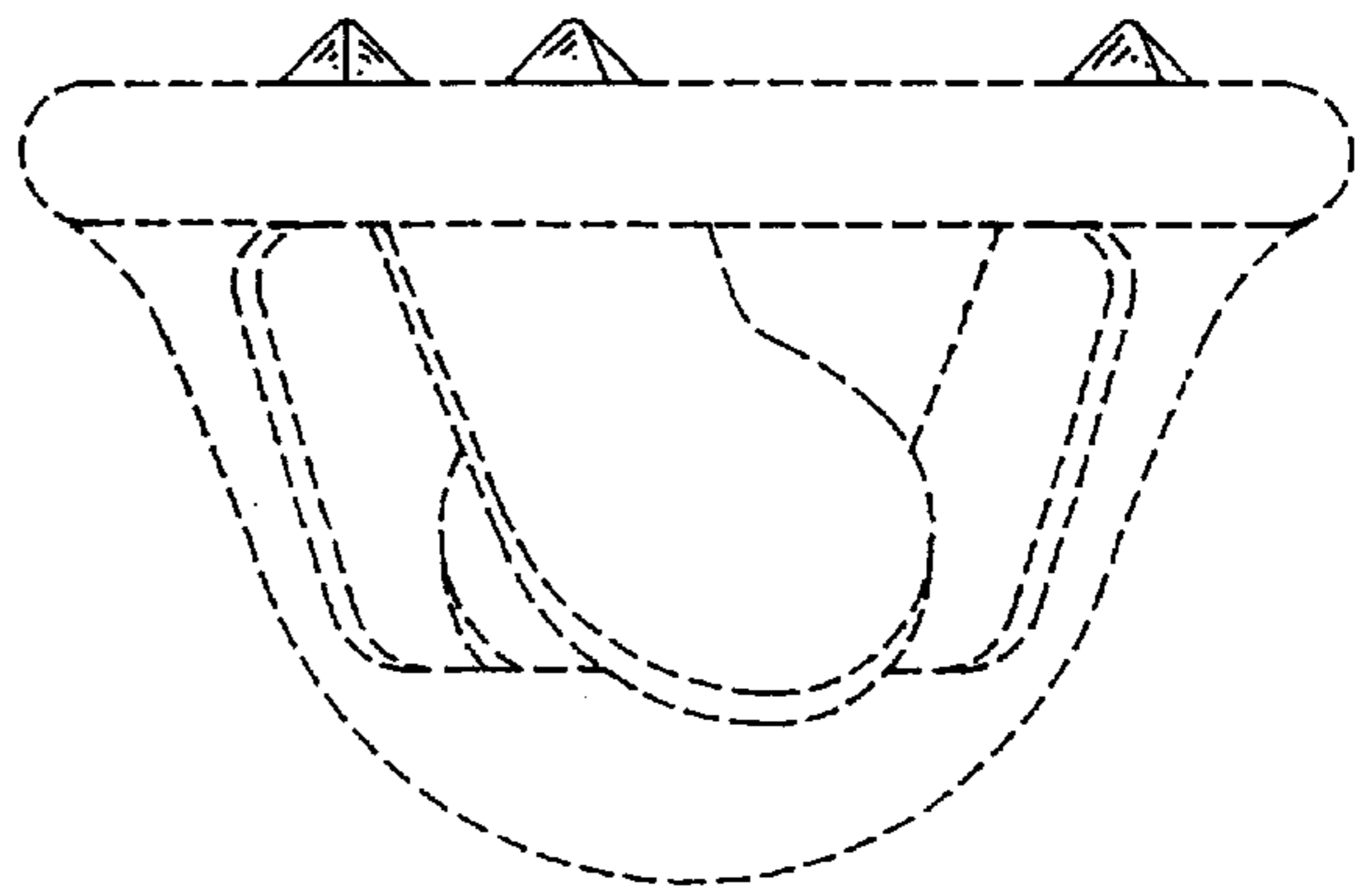


FIG. 3

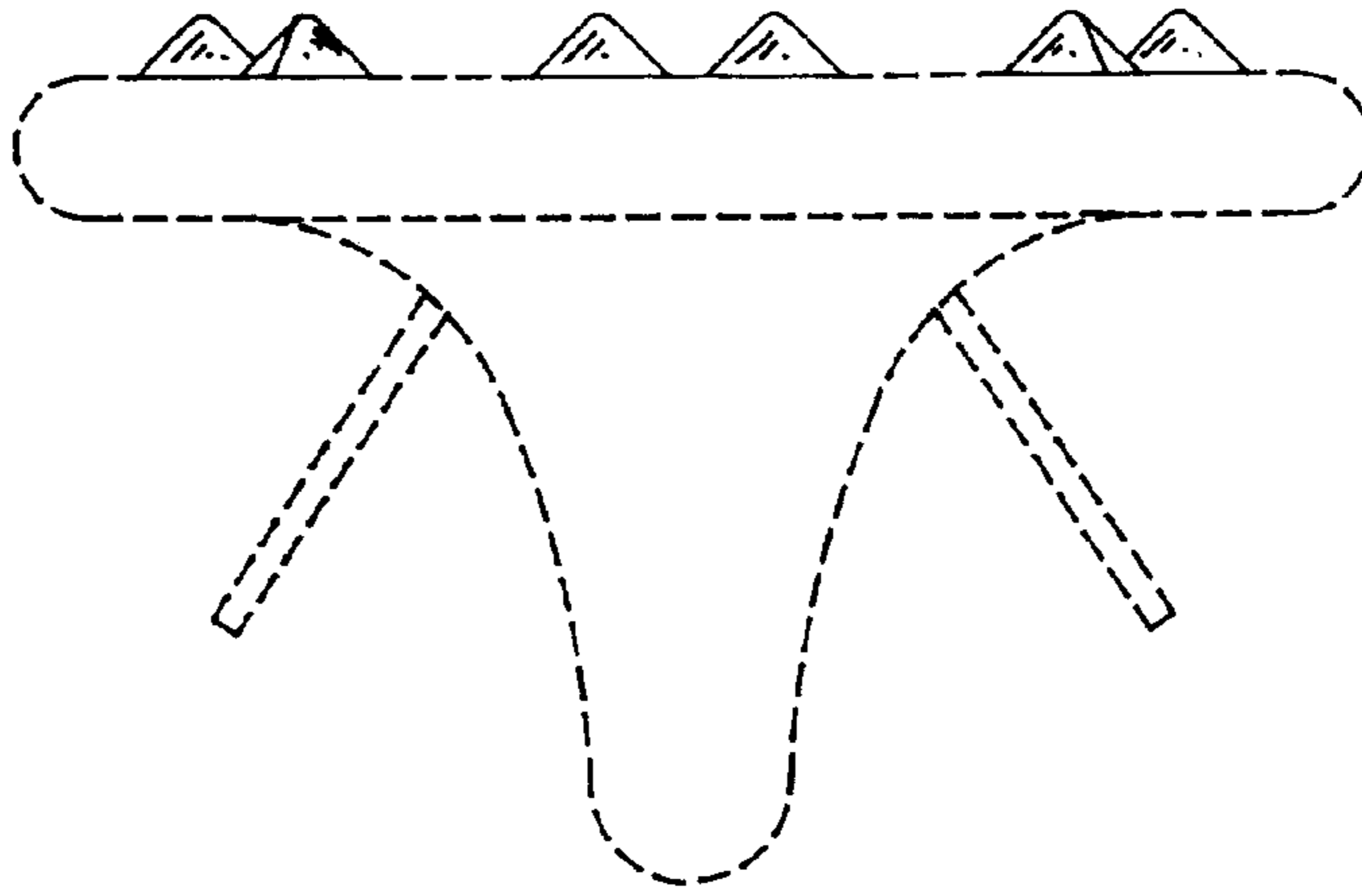


FIG. 4

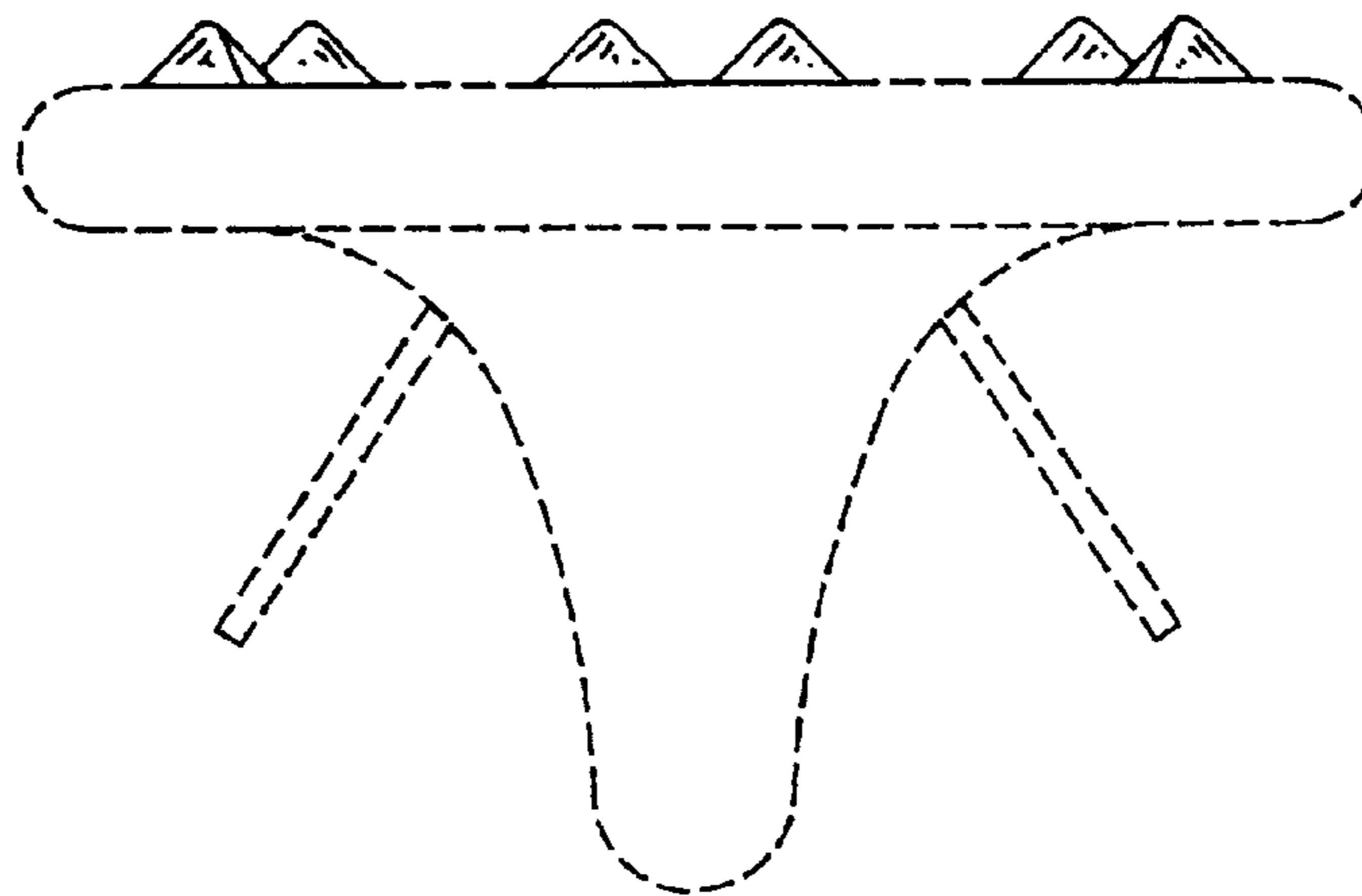


FIG. 5

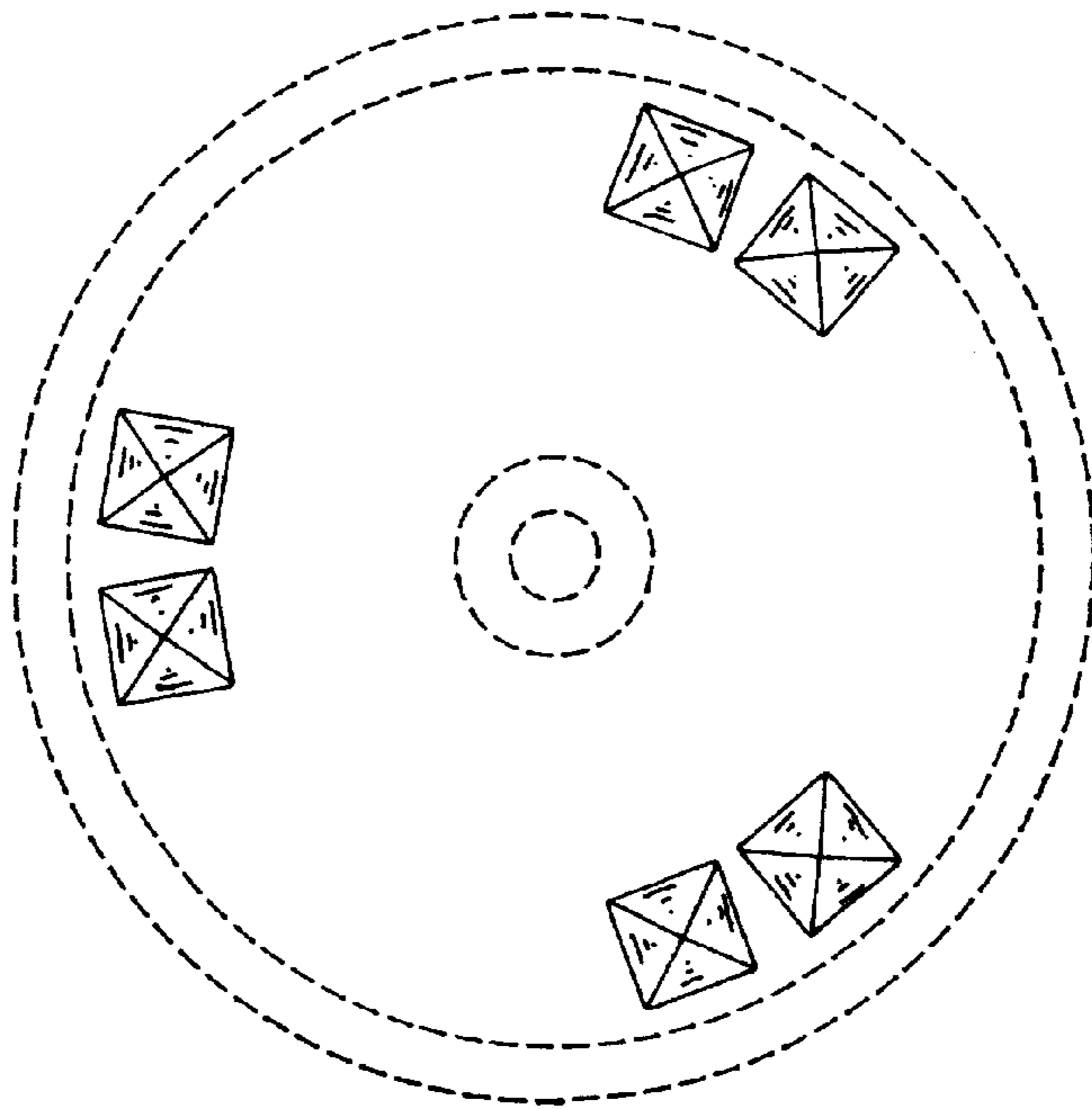


FIG. 6

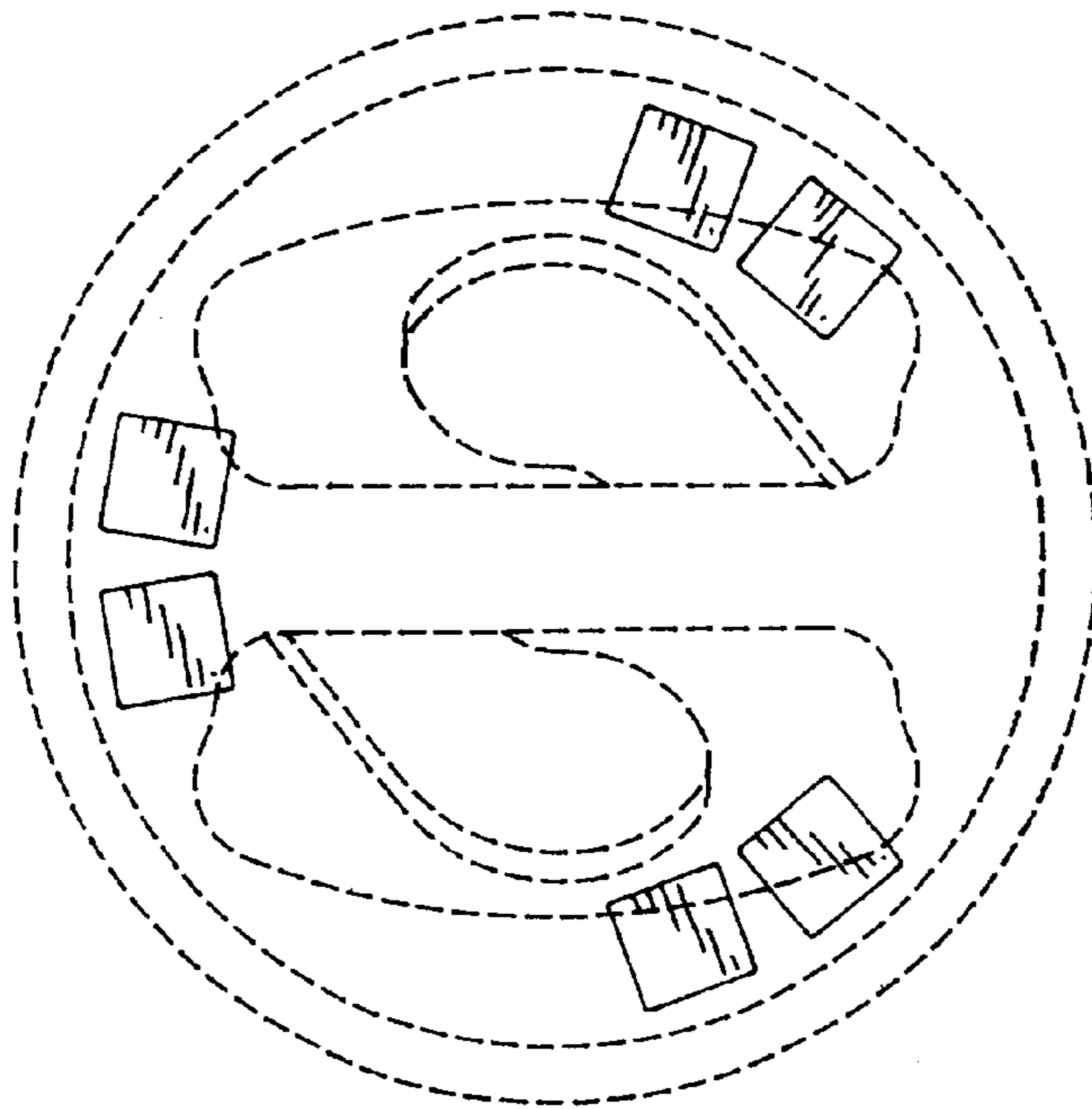


FIG. 7



US00D435233C1

(12) **REEXAMINATION CERTIFICATE** (4822nd)

**United States Patent**

**Fountoulakis**

(10) **Number: US D435,233 C1**

(45) **Certificate Issued: Jul. 22, 2003**

(54) **MILITARY CLUTCH**

(75) **Inventor: Marcos Fountoulakis, Johnston, RI (US)**

(73) **Assignee: Dama Jewelry Technology, Inc., Johnston, RI (US)**

**Reexamination Request:**

No. 90/006,335, Jul. 24, 2002

**Reexamination Certificate for:**

Patent No.: **Des. 435,233**  
Issued: **Dec. 19, 2000**  
Appl. No.: **29/119,364**  
Filed: **Feb. 28, 2000**

(51) **LOC (7) Cl. .... 02-07**

(52) **U.S. Cl. .... D11/200**

(58) **Field of Search** ..... D11/200-220,  
D11/231, 222, 95; 24/100, 103, 105, 90.5,  
113 R, 104, 90.1; 63/20

(56) **References Cited**

**U.S. PATENT DOCUMENTS**

2,551,196 A \* 5/1951 Ballou, Jr.

**OTHER PUBLICATIONS**

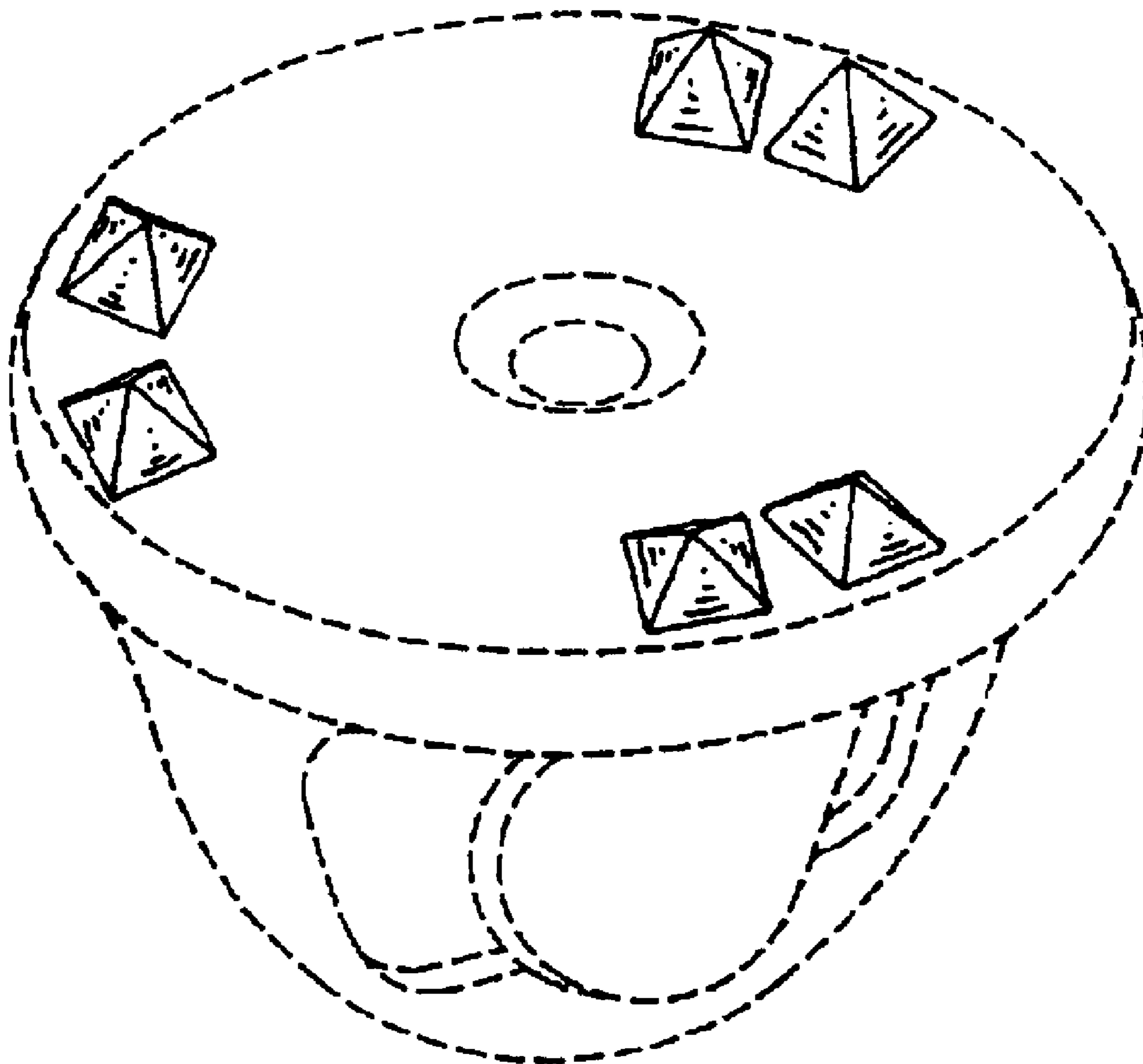
American Jewelry Manufacturer Magazine—May 1966—  
Advertisement on p. 1.\*

American Jewelry Manufacturer Magazine—Jul. 1968—  
Advertisement on p. 1.\*

American Jewelry Manufacturer Magazine—Aug. 1968—  
Advertisement on p. 1.\*

\* cited by examiner

*Primary Examiner*—Stella M. Reid



**1**  
**REEXAMINATION CERTIFICATE**  
**ISSUED UNDER 35 U.S.C. 307**  
**THE PATENT IS HEREBY**  
**AMENDED AS INDICATED**  
**BELOW.**

**2**  
AS A RESULT OF REEXAMINATION, IT HAS BEEN  
DETERMINED THAT:  
  
5 The single design claim is cancelled.  
  
\* \* \* \* \*