



US00D435230S

United States Patent [19] Spiegel

[11] Patent Number: Des. 435,230

[45] Date of Patent: ** Dec. 19, 2000

[54] PLANTER

5,953,859 9/1999 Cohran et al. 47/66.5

[76] Inventor: James A. Spiegel, 355 Baker Rd.,
Greenville, Pa. 16125

Primary Examiner—Doris V. Coles
Assistant Examiner—Mimosa De
Attorney, Agent, or Firm—Kirkpatrick & Lockhart LLP

[**] Term: 14 Years

[57] CLAIM

[21] Appl. No.: 29/112,865

The ornamental design for the planter, as shown and described.

[22] Filed: Oct. 25, 1999

DESCRIPTION

[51] LOC (7) Cl. 11-02

[52] U.S. Cl. D11/143; D99/19; D11/156

[58] Field of Search D11/143, 144,
D11/145, 155, 156; 47/65.5, 66.6, 68, 66.5,
39, 41.01, 73; 206/423; 215/228; 220/521,
801; 248/27.8; D99/19

FIG. 1 is a perspective view of the first embodiment of a planter showing my new design;
FIG. 2 is a front elevational view of the invention illustrated in FIG. 1;
FIG. 3 is a rear elevational view of the invention illustrated in FIGS. 1 and 2;
FIG. 4 is a top view of the invention illustrated in FIGS. 1-3;
FIG. 5 is a bottom view of the invention illustrated in FIGS. 1-4;

[56] References Cited

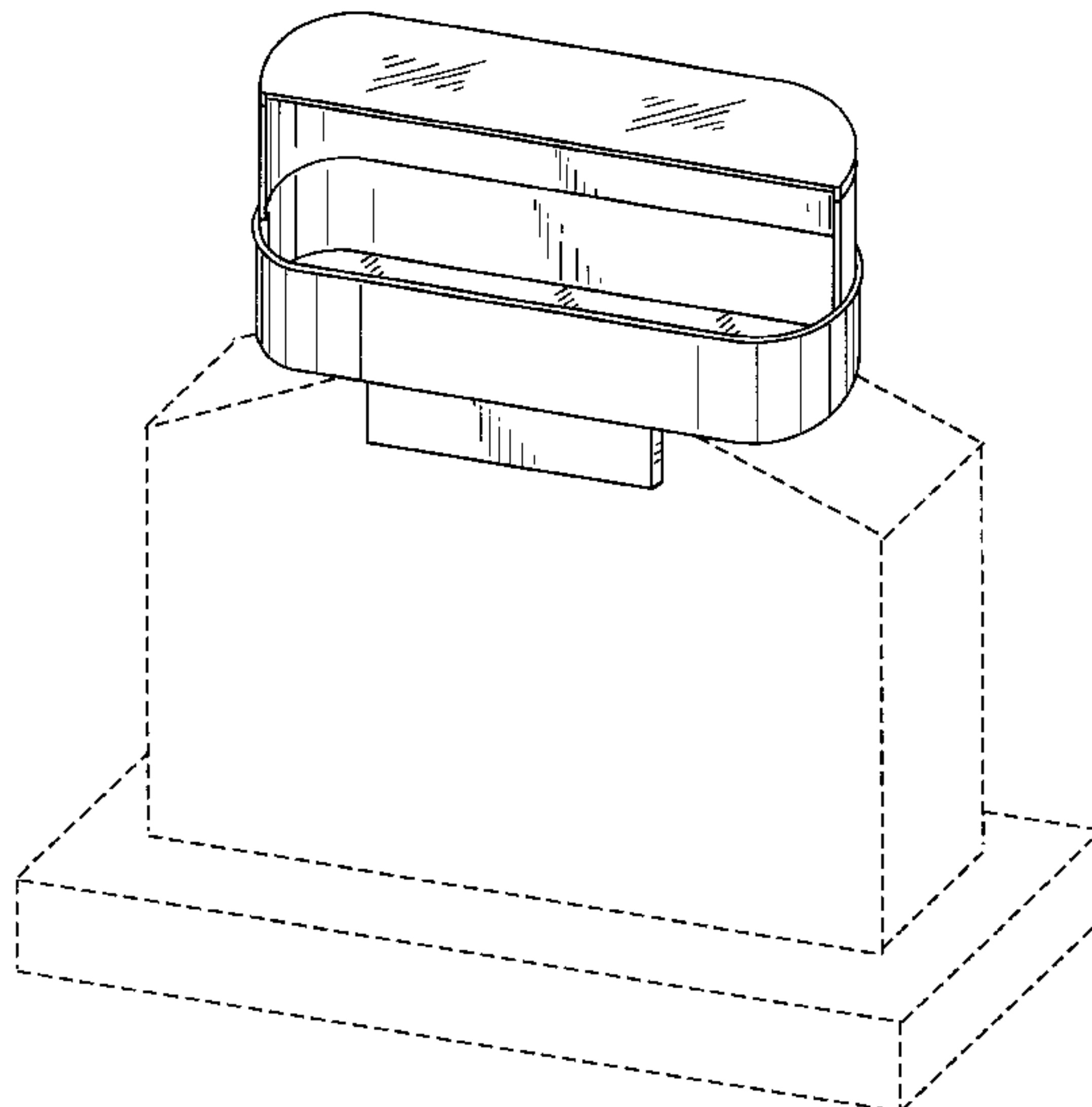
U.S. PATENT DOCUMENTS

D. 97,496	11/1935	Madvig	D11/153
D. 102,517	4/1936	Seibert et al. .	
D. 108,211	2/1938	Majewski .	
D. 110,260	4/1938	Robinson .	
D. 182,622	4/1958	Robinson .	
D. 194,429	1/1963	Kuhn	D11/156
D. 296,089	6/1988	Pouliot .	
D. 312,983	12/1990	Powell .	
D. 359,629	6/1995	Korkowski .	
D. 372,887	8/1996	Deelen	D11/152
D. 385,213	10/1997	Mcallister	D11/156
1,060,970	5/1913	Brown .	
1,492,048	4/1924	Reilly	47/66.6
1,843,602	2/1932	Holmes .	
2,261,326	11/1941	Atkisson et al.	D11/156
2,722,778	11/1955	Carufel	D11/156
3,082,575	3/1963	Schulz	D11/144
3,310,911	3/1967	Boser et al. .	
4,640,045	2/1987	Nesbitt et al.	47/39
5,072,542	12/1991	Quackenbush .	
5,177,899	1/1993	Powell	47/65.5
5,359,809	11/1994	Johnson	47/73
5,450,690	9/1995	Elsea .	
5,456,046	10/1995	Vitalune et al. .	
5,519,966	5/1996	Cassette	47/41.01
5,852,895	12/1998	Sinanan .	

FIG. 6 is a left side elevational view of the invention illustrated in FIGS. 1-5;
FIG. 7 is a right side elevational view of the invention illustrated in FIGS. 1-6;
FIG. 8 is a perspective view of the second embodiment of a planter showing my new design;
FIG. 9 is a front elevational view of the invention illustrated in FIG. 8;
FIG. 10 is a rear elevational view of the invention illustrated in FIGS. 8 and 9;
FIG. 11 is a top view of the invention illustrated in FIGS. 8-10;
FIG. 12 is a bottom view of the invention illustrated in FIGS. 8-11;
FIG. 13 is a left side elevational view of the invention illustrated in FIGS. 8-12; and,
FIG. 14 is a right side elevational view of the invention illustrated in FIGS. 8-13.

The broken line showing of the tombstone in FIGS. 1 and 8 is for illustrative purposes only and forms no part of the claimed design.

1 Claim, 6 Drawing Sheets



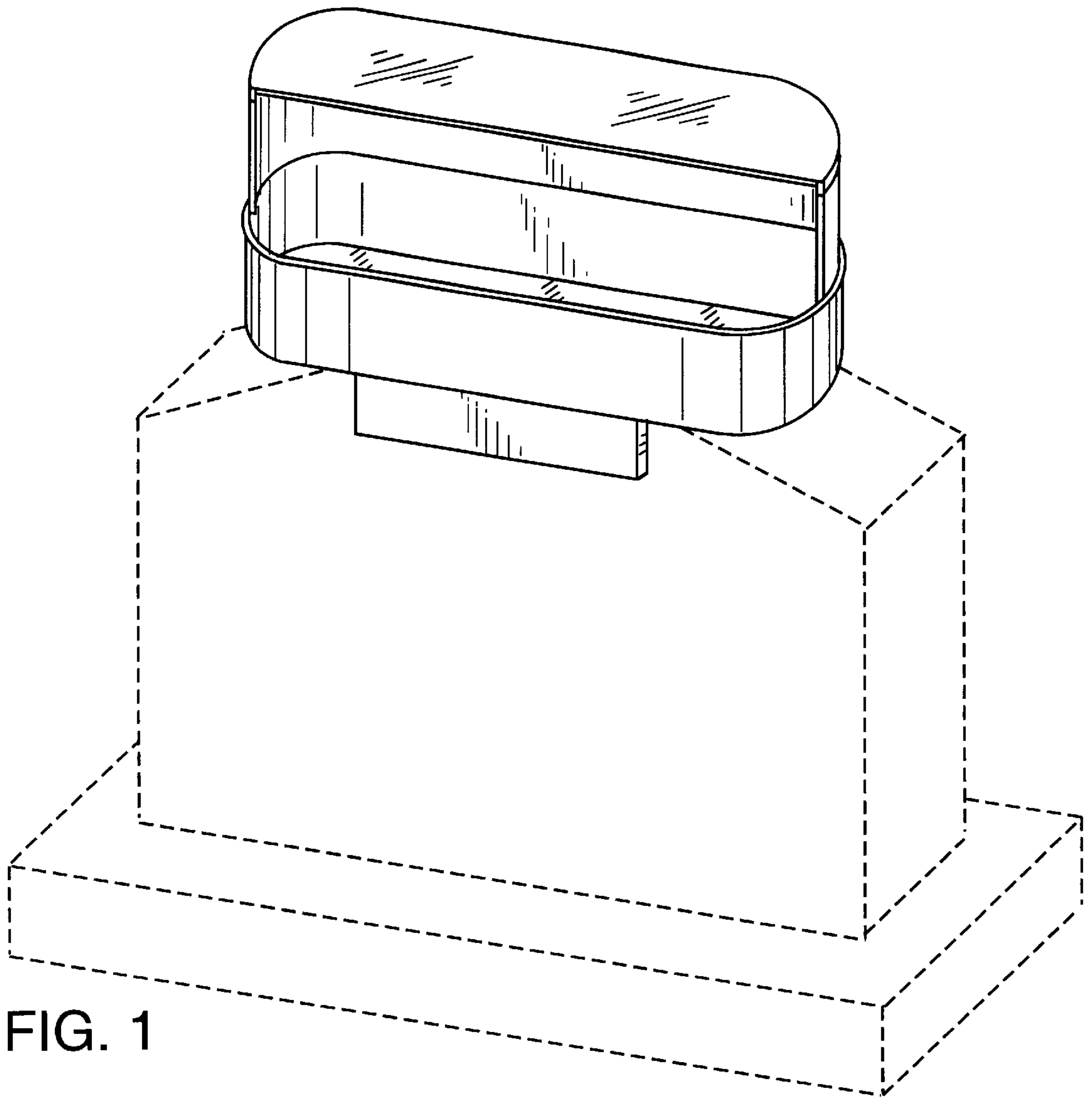


FIG. 1

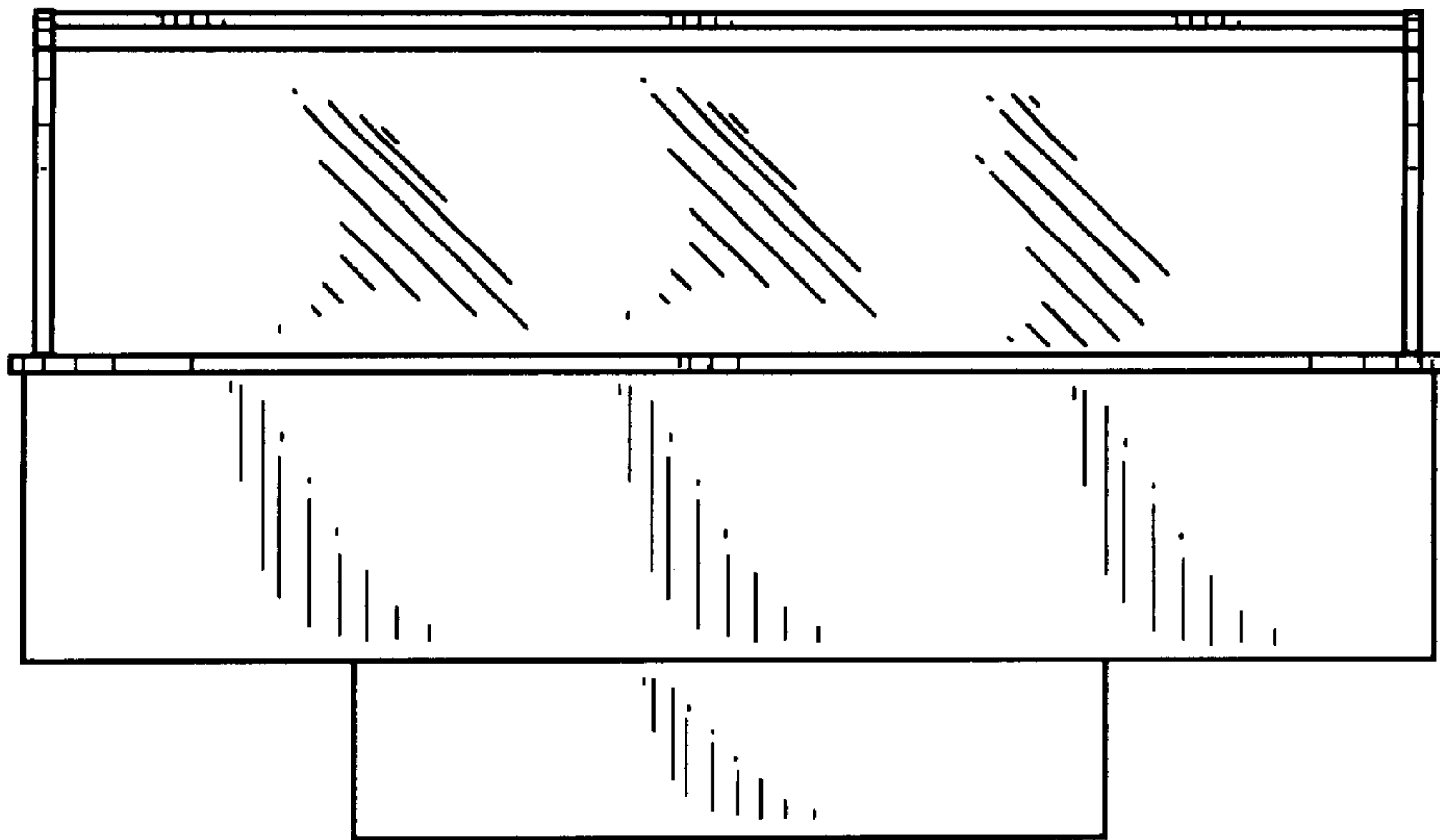


FIG. 2

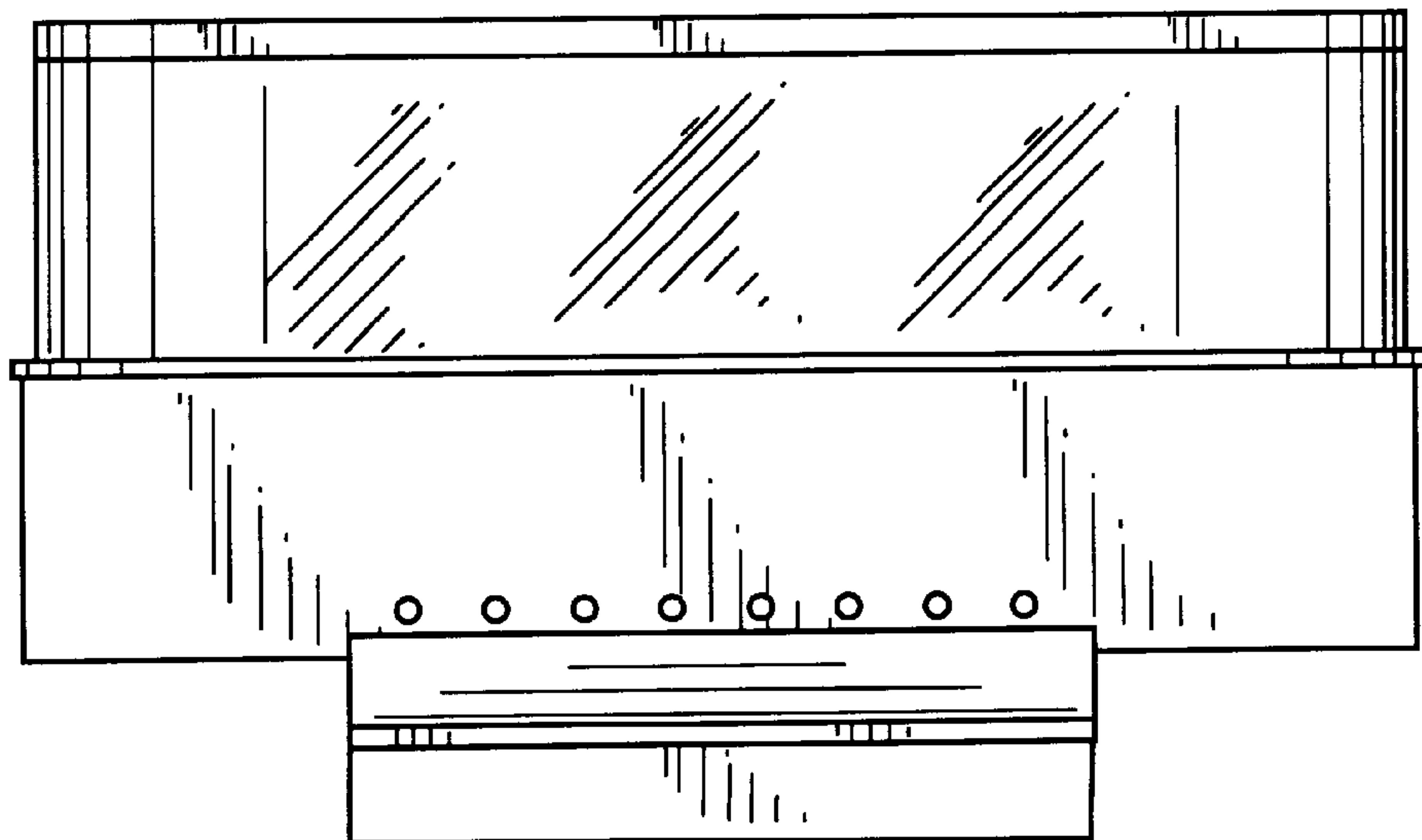


FIG. 3

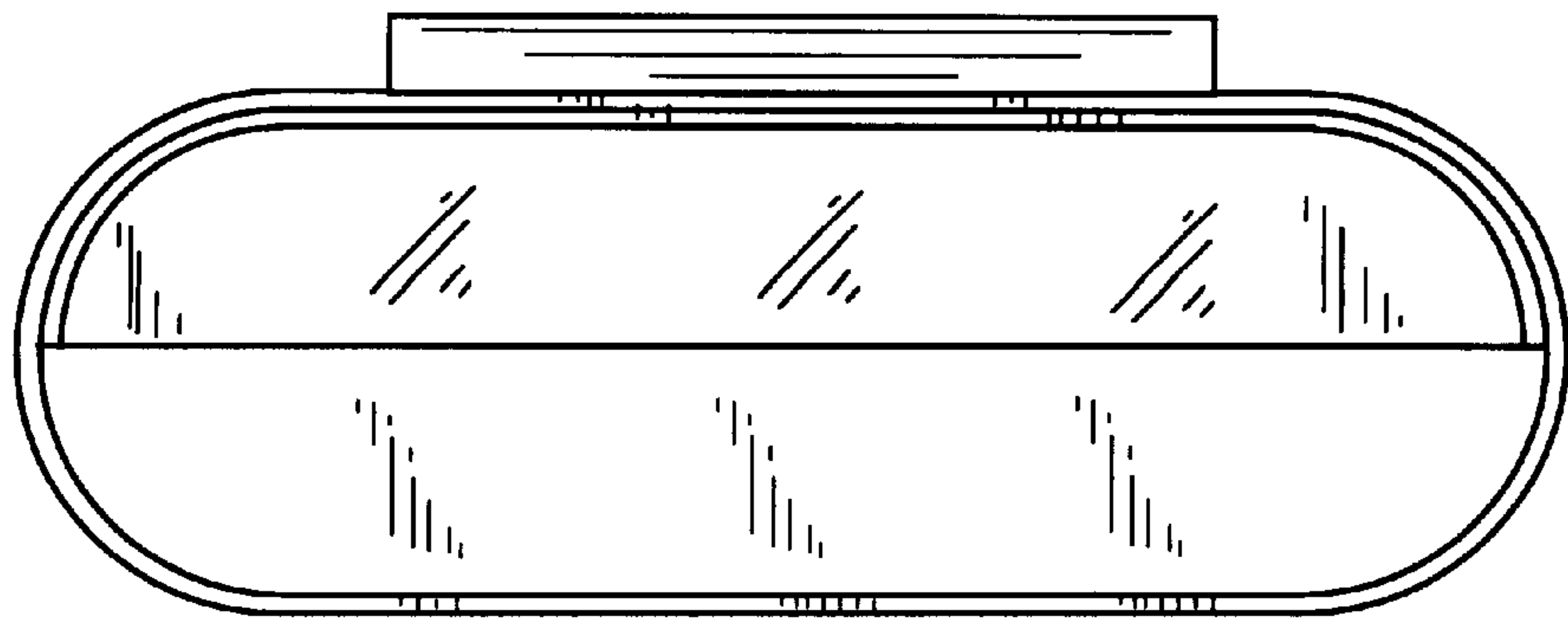


FIG. 4

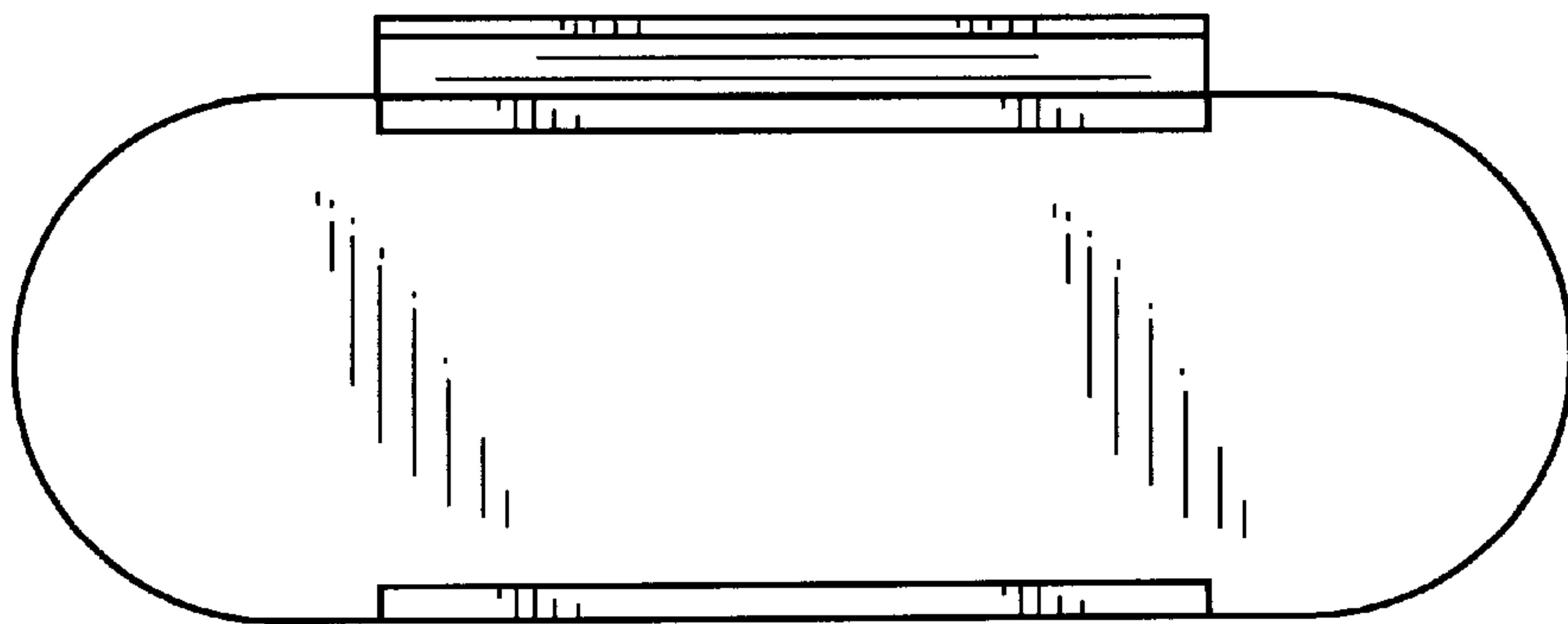


FIG. 5

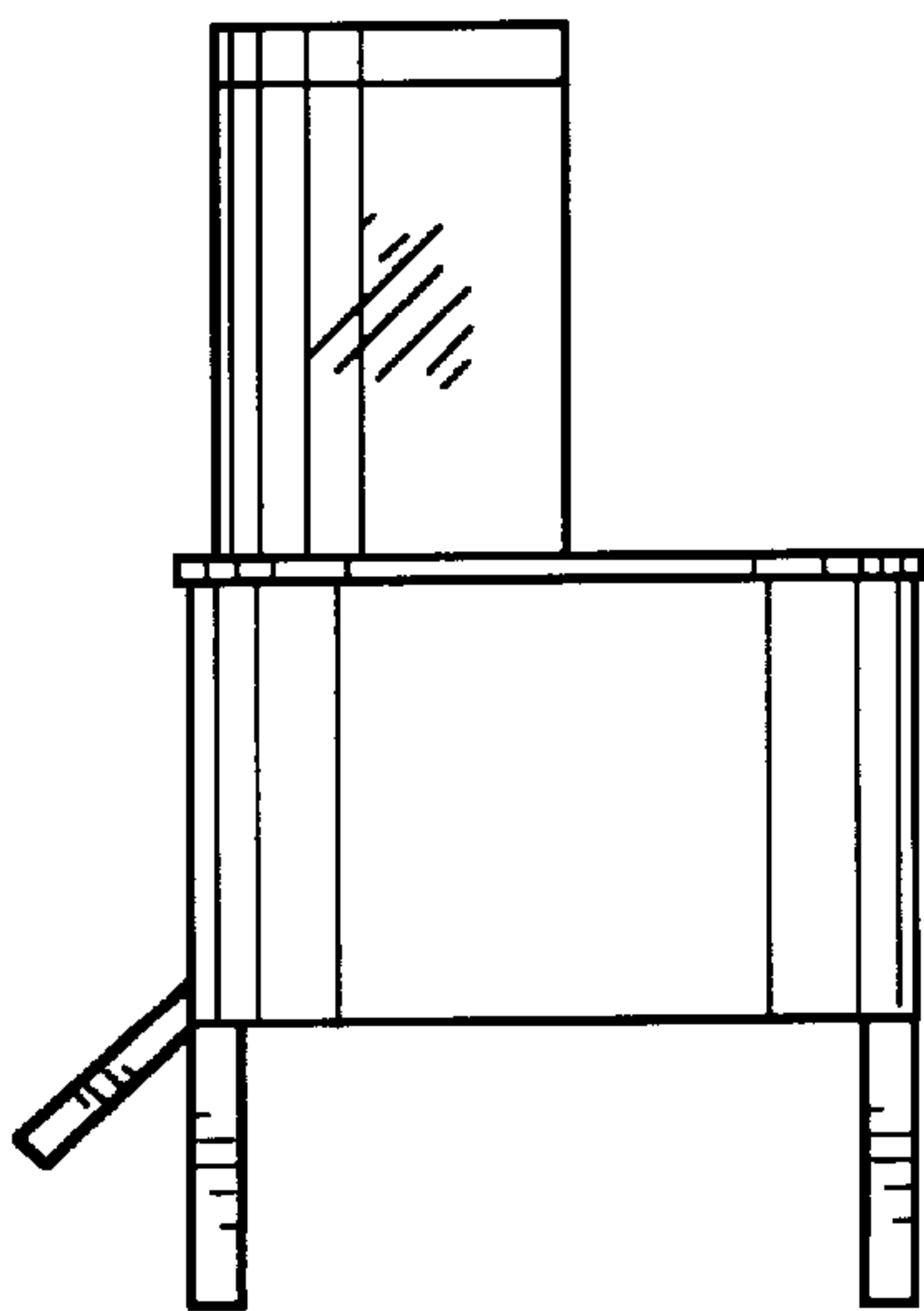


FIG. 6

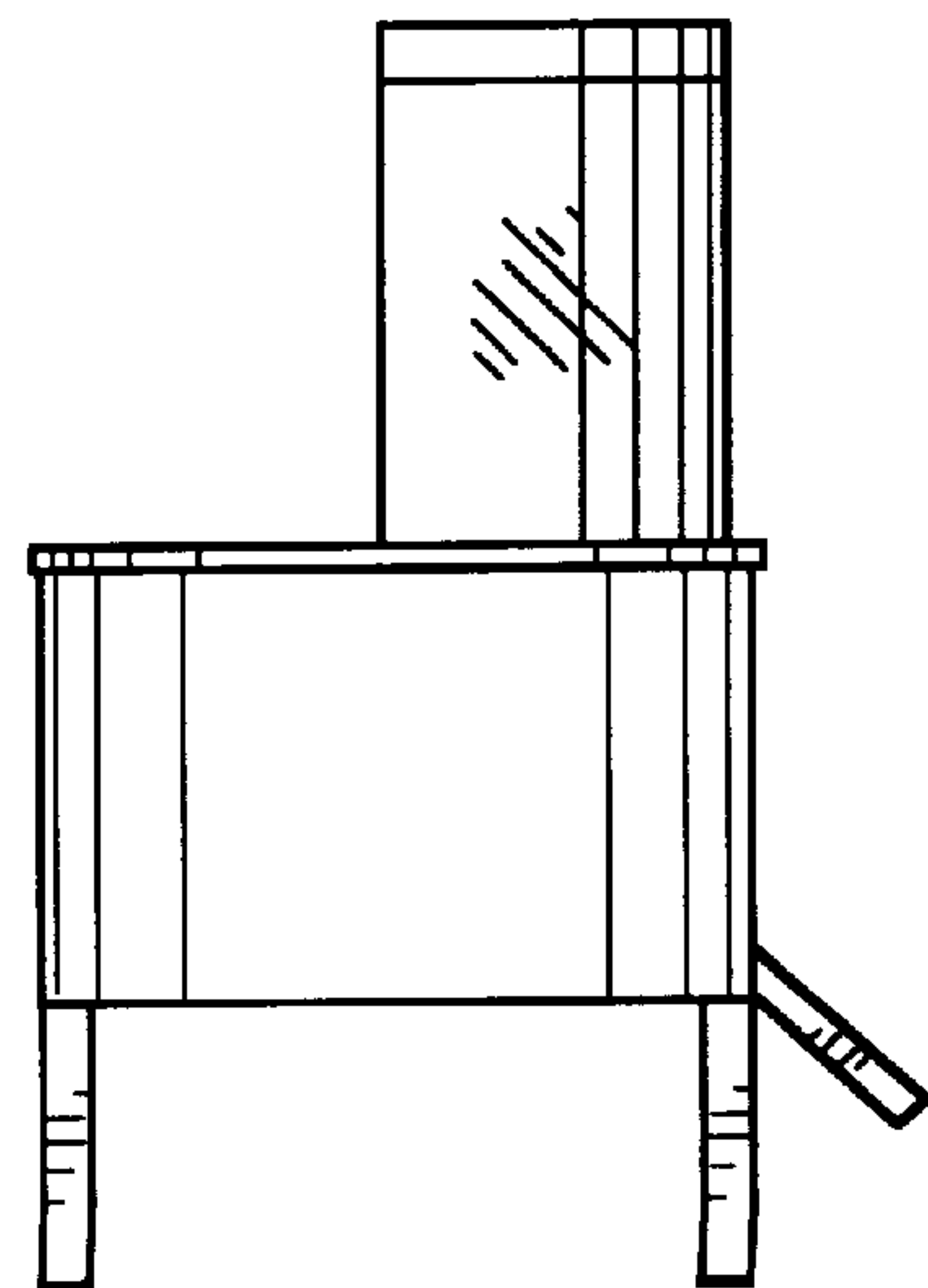


FIG. 7

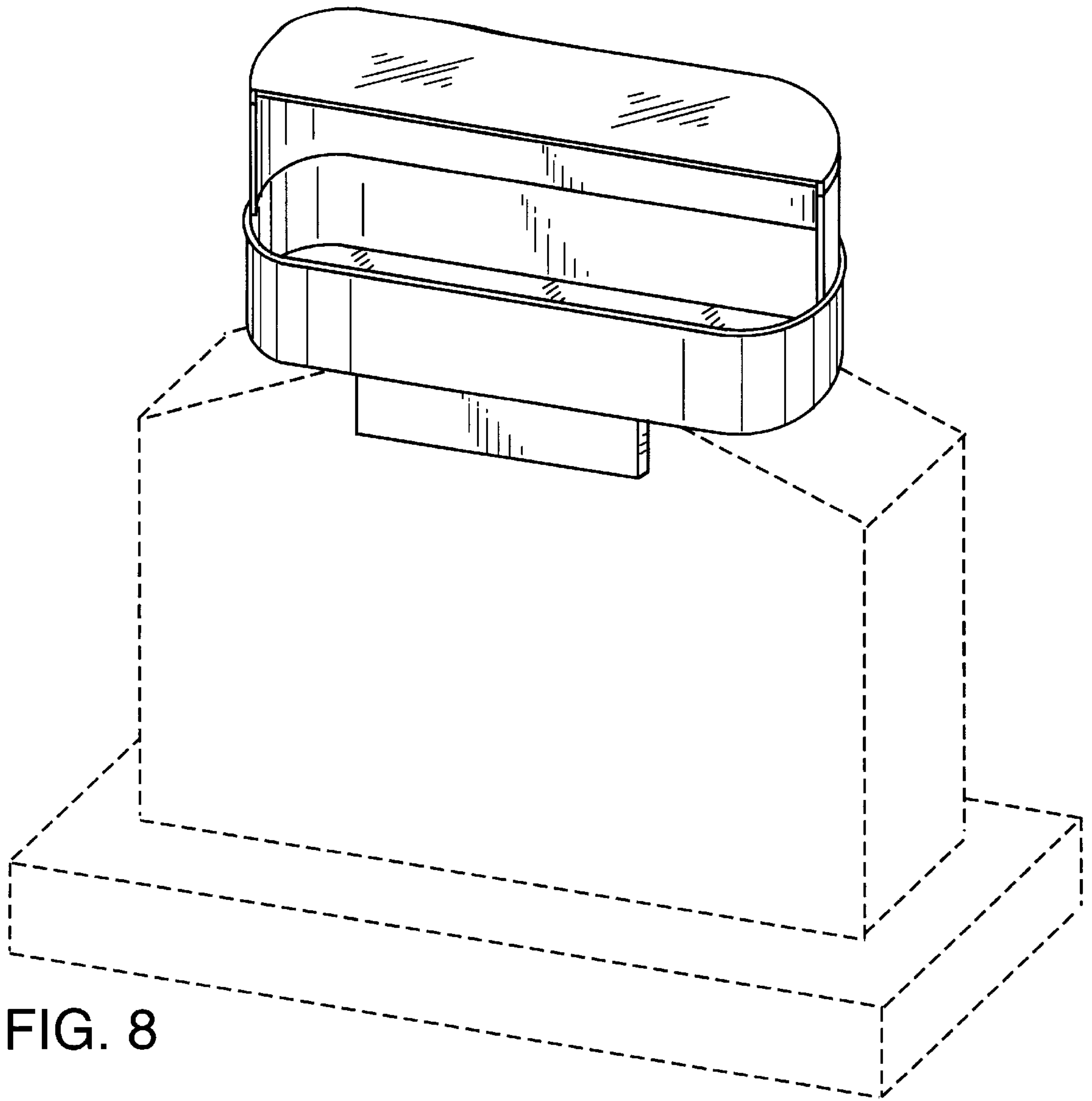


FIG. 8

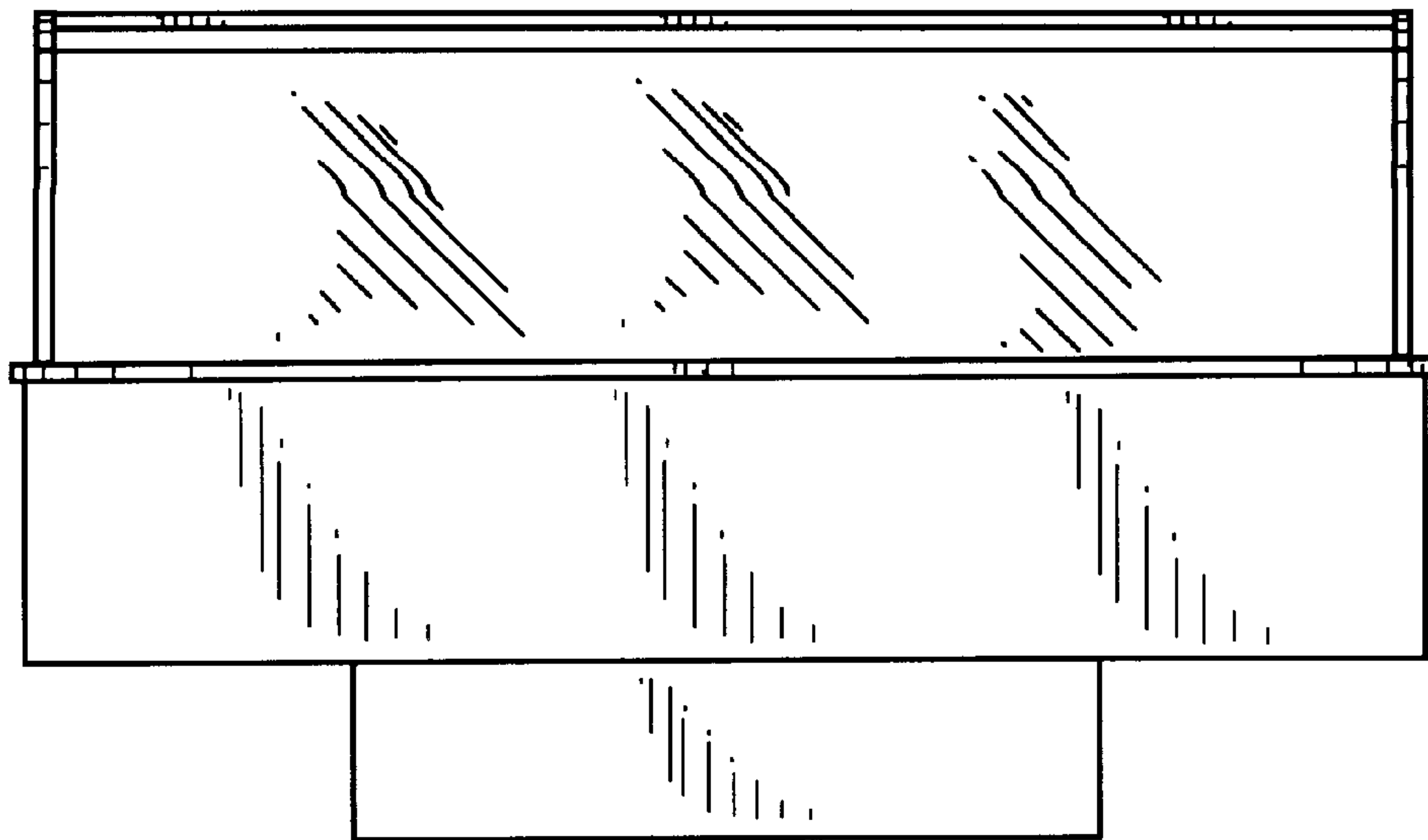


FIG. 9

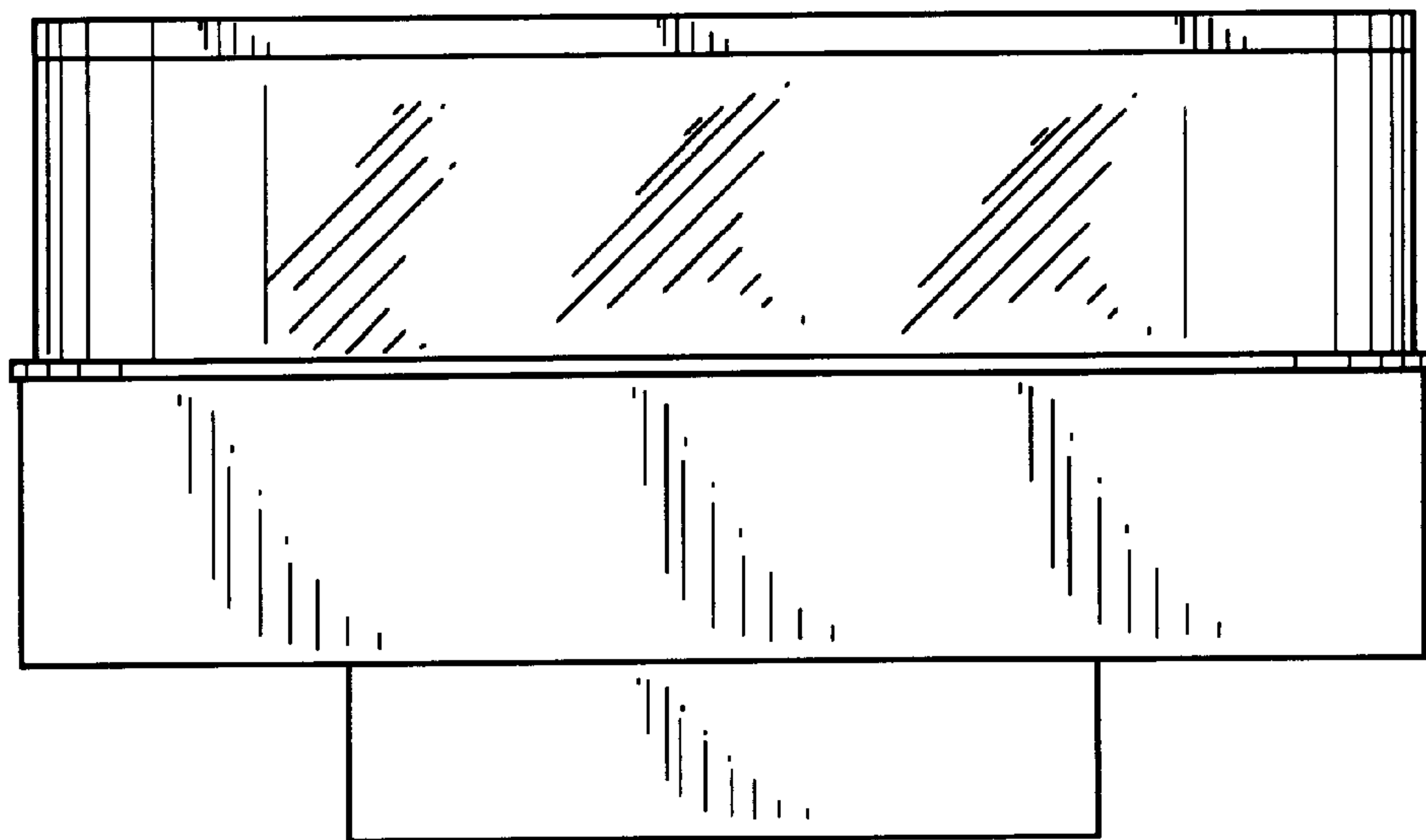


FIG. 10

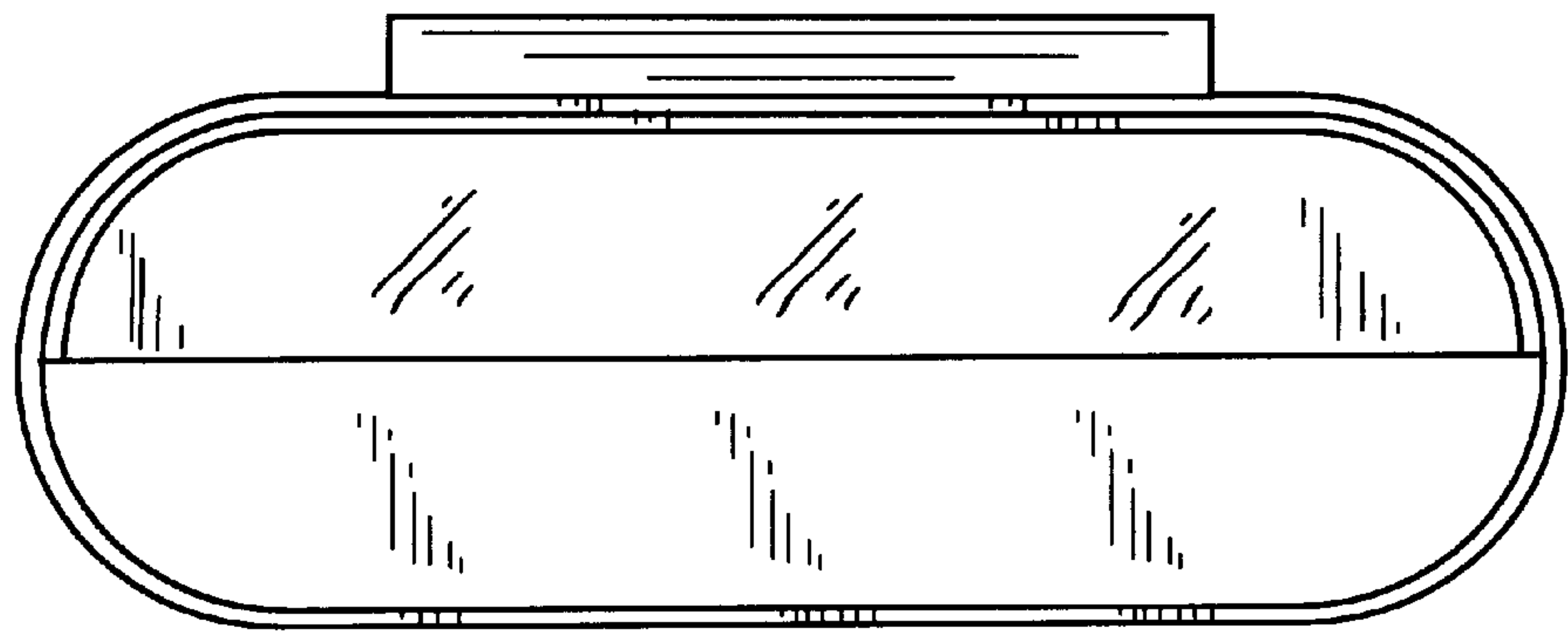


FIG. 11

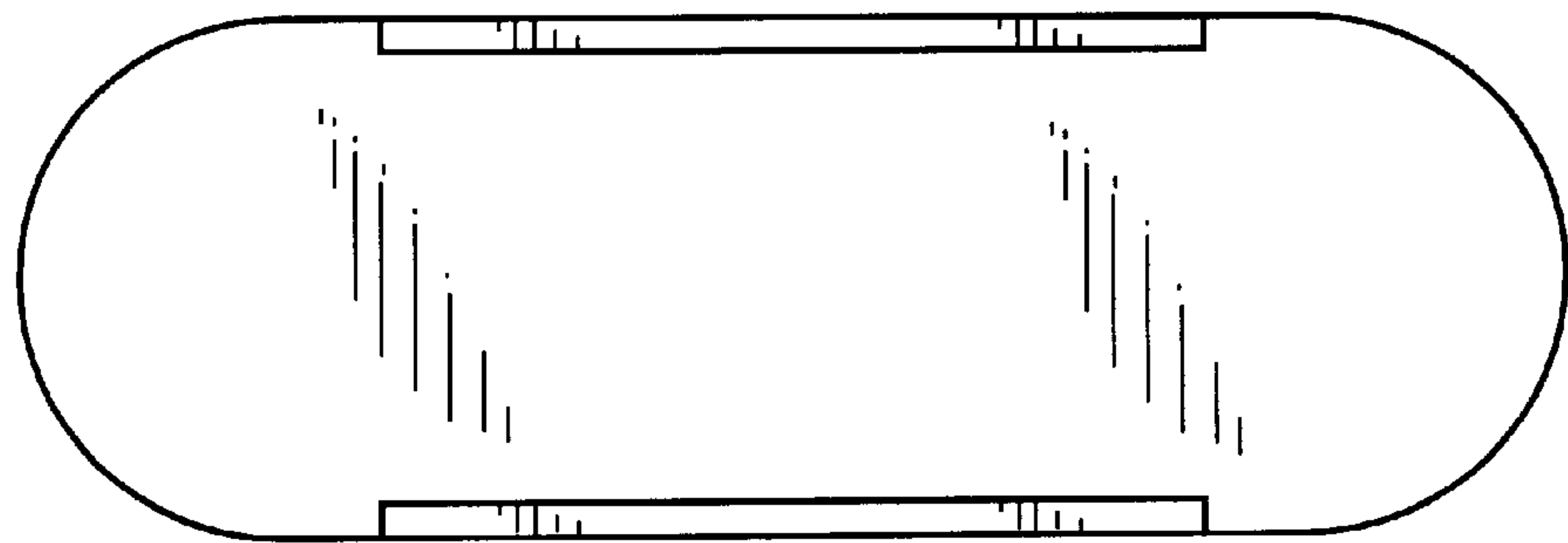


FIG. 12

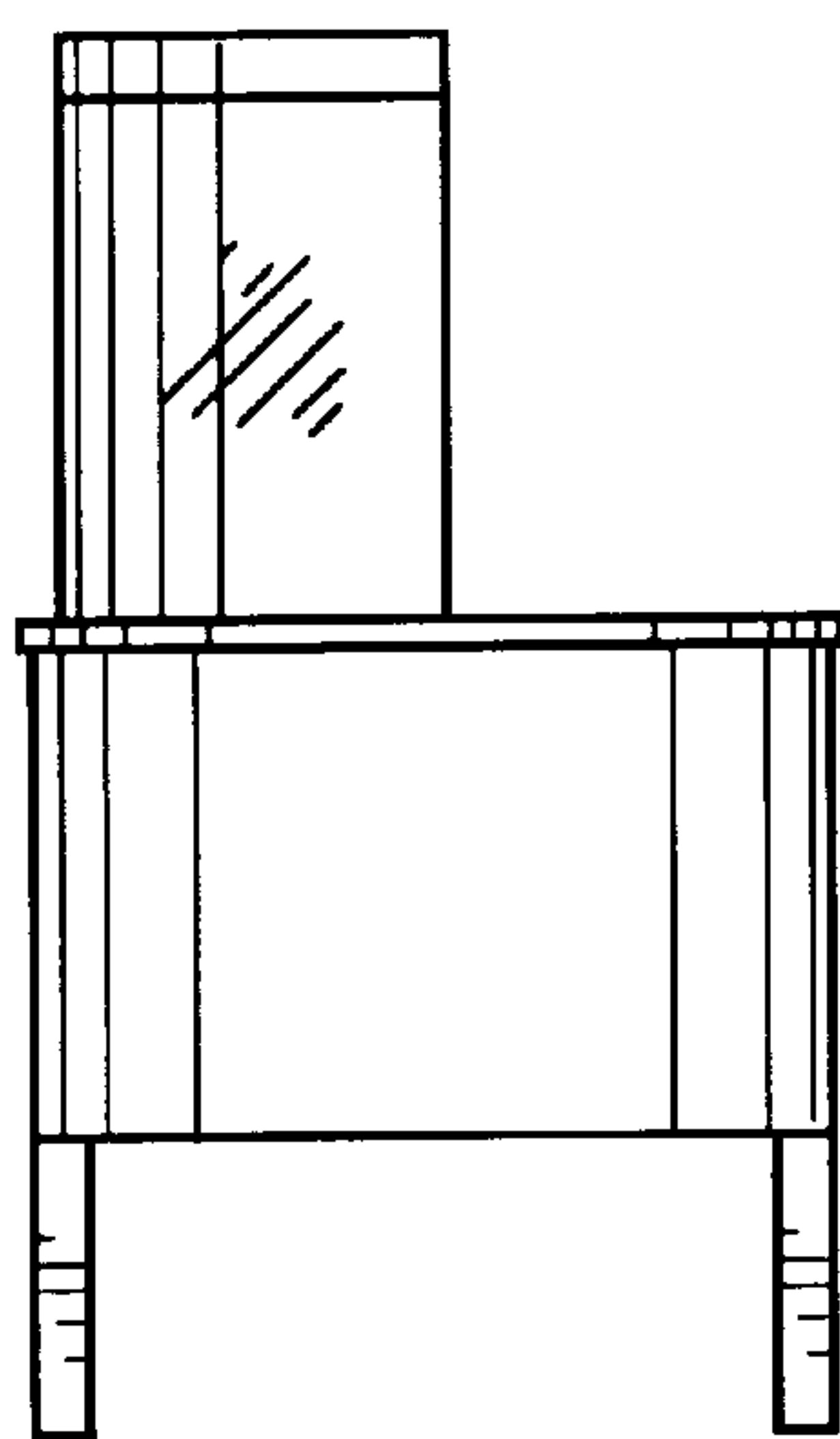


FIG. 13

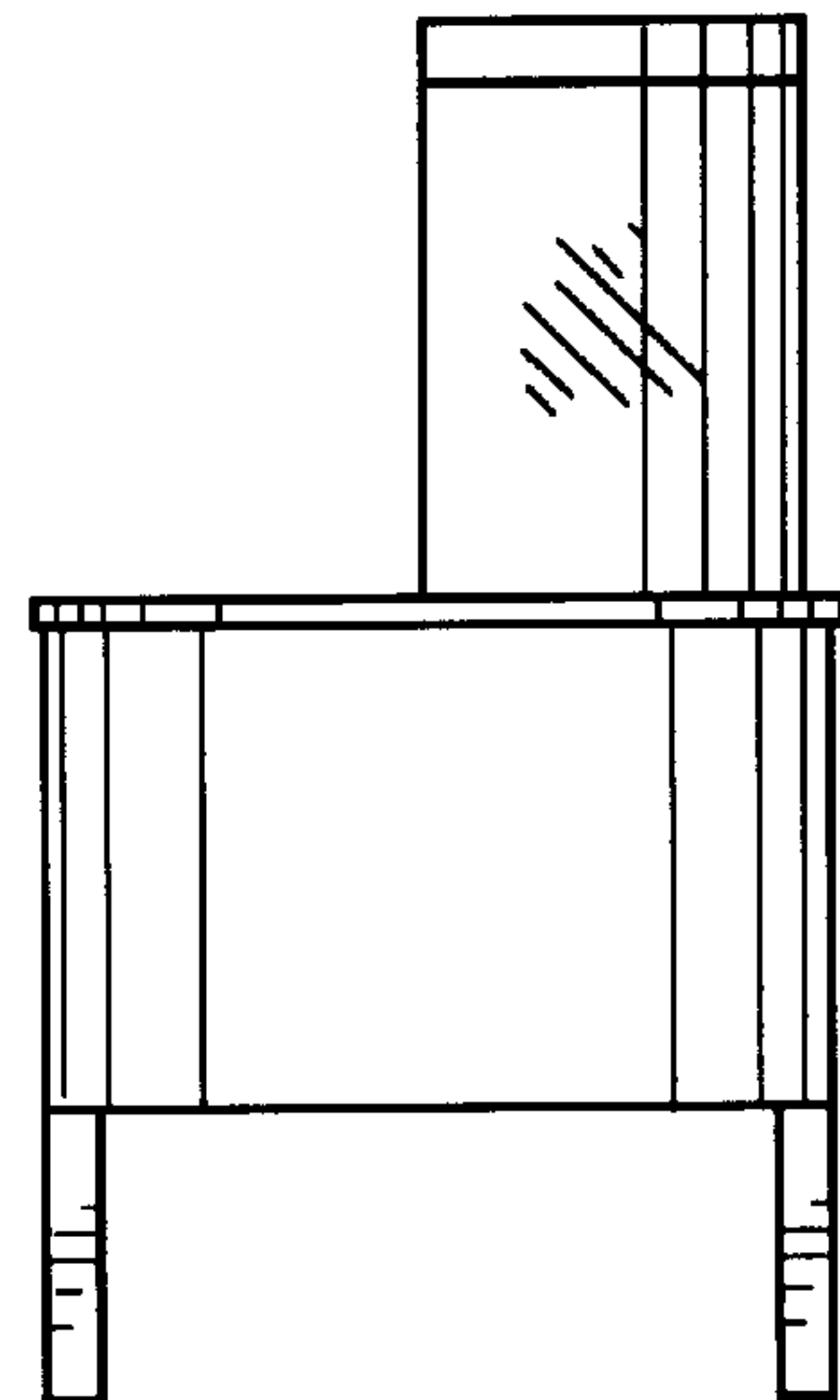


FIG. 14