



US00D435218S

# United States Patent [19]

Kreiseder et al.

[11] Patent Number: Des. 435,218

[45] Date of Patent: \*\* Dec. 19, 2000

[54] **PRODUCT DISPENSER TOP**

[75] Inventors: **Walter J. Kreiseder**, Buffalo Grove;  
**John A. Sekowski**, Long Grove, both  
of Ill.

[73] Assignee: **Courtesy Corporation**, Buffalo Grove,  
Ill.

[\*\*] Term: **14 Years**

[21] Appl. No.: **29/126,019**

[22] Filed: **Jul. 5, 2000**

[51] **LOC (7) Cl.** ..... **09-07**

[52] **U.S. Cl.** ..... **D9/447; D9/338**

[58] **Field of Search** ..... D9/338, 434, 440,  
D9/447; D28/7, 82; 222/390, 391; 401/172,  
174, 175

[56] **References Cited**

**U.S. PATENT DOCUMENTS**

D. 331,534	12/1992	Thompson et al. ....	D9/338
D. 335,443	5/1993	Hirst .....	D9/338
D. 408,736	4/1999	Wilson et al. ....	D9/447
D. 412,840	8/1999	Wilson et al. ....	D9/338
D. 427,520	7/2000	Crawford .....	D9/338
4,865,231	9/1989	Wiercinski .	
4,950,094	8/1990	Yorks .....	401/75

5,007,755	4/1991	Thompson .....	401/175
5,547,302	8/1996	Dornbusch et al. ....	401/172
5,573,341	11/1996	Iaia .	
5,839,622	11/1998	Bicknell et al. ....	222/390

*Primary Examiner*—Cathron Brooks  
*Attorney, Agent, or Firm*—Silverman, Cass & Singer, Ltd.

[57] **CLAIM**

The ornamental design for a product dispenser top, as shown and described.

**DESCRIPTION**

FIG. 1 is a perspective view of a product dispenser top showing our new design, the same being shown positioned on a base;

FIG. 2 is a fragmentary perspective view thereof shown at an enlarged scale, it being understood that the details shown in this view occur across the entire top surface of the dispenser top.

FIG. 3 is a front elevation view thereof, the rear elevation being the same;

FIG. 4 is a right side elevation view thereof, the left side elevation being the same; and,

FIG. 5 is a top plan view thereof.

The broken line showing of the base portion of the product dispenser top is for illustrative purposes only and forms no part of the claimed design.

**1 Claim, 1 Drawing Sheet**

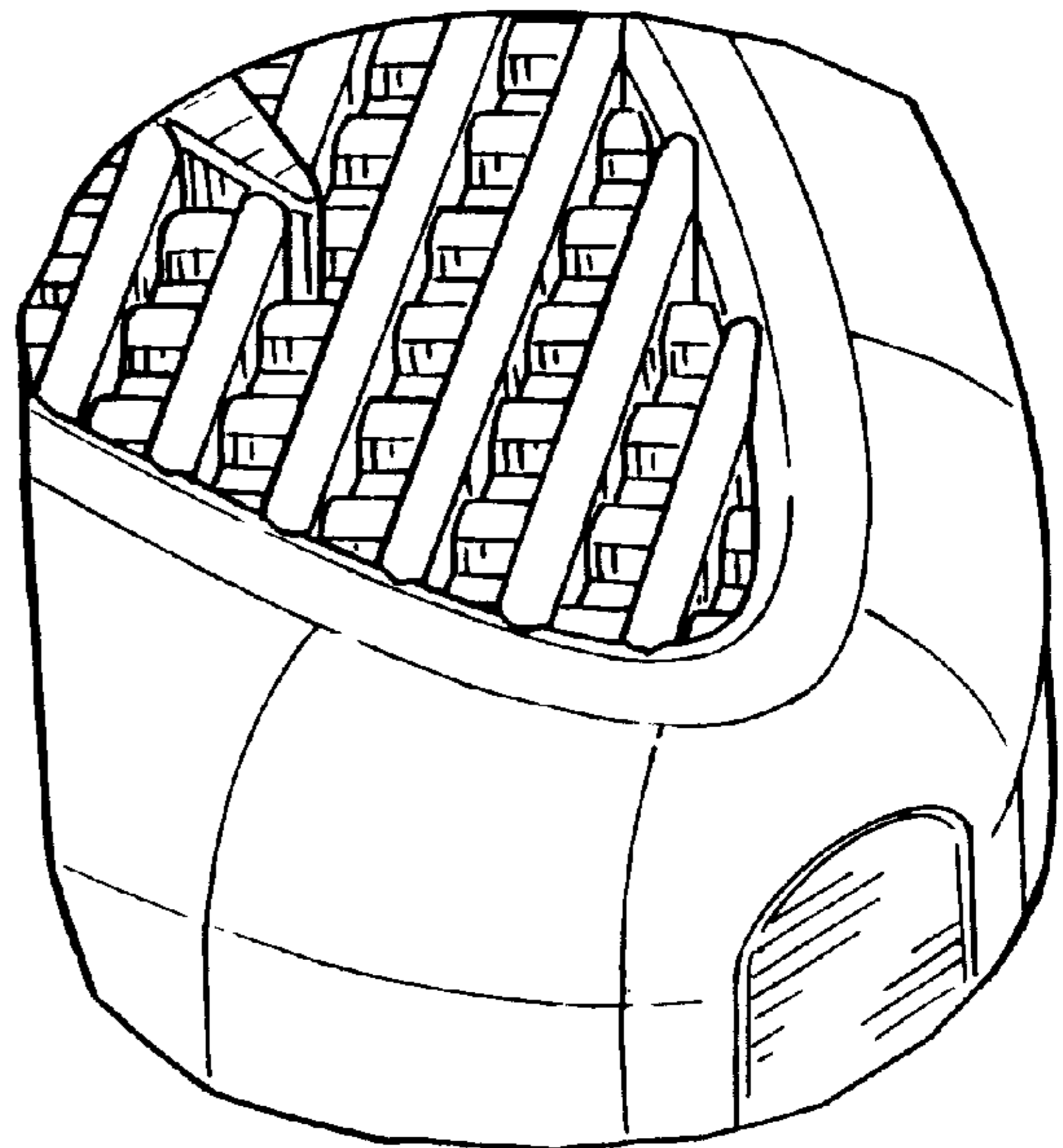
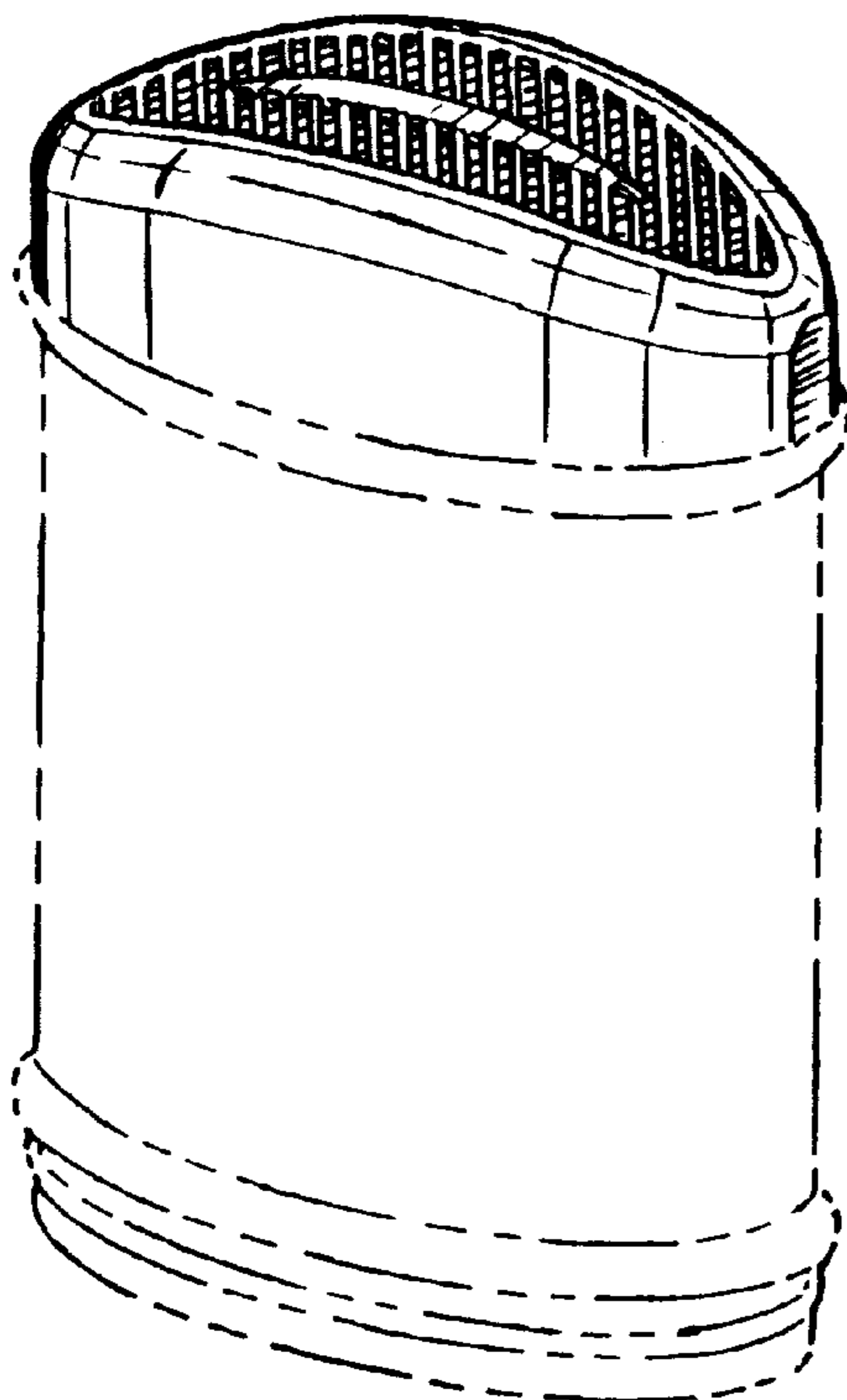


FIG. 1

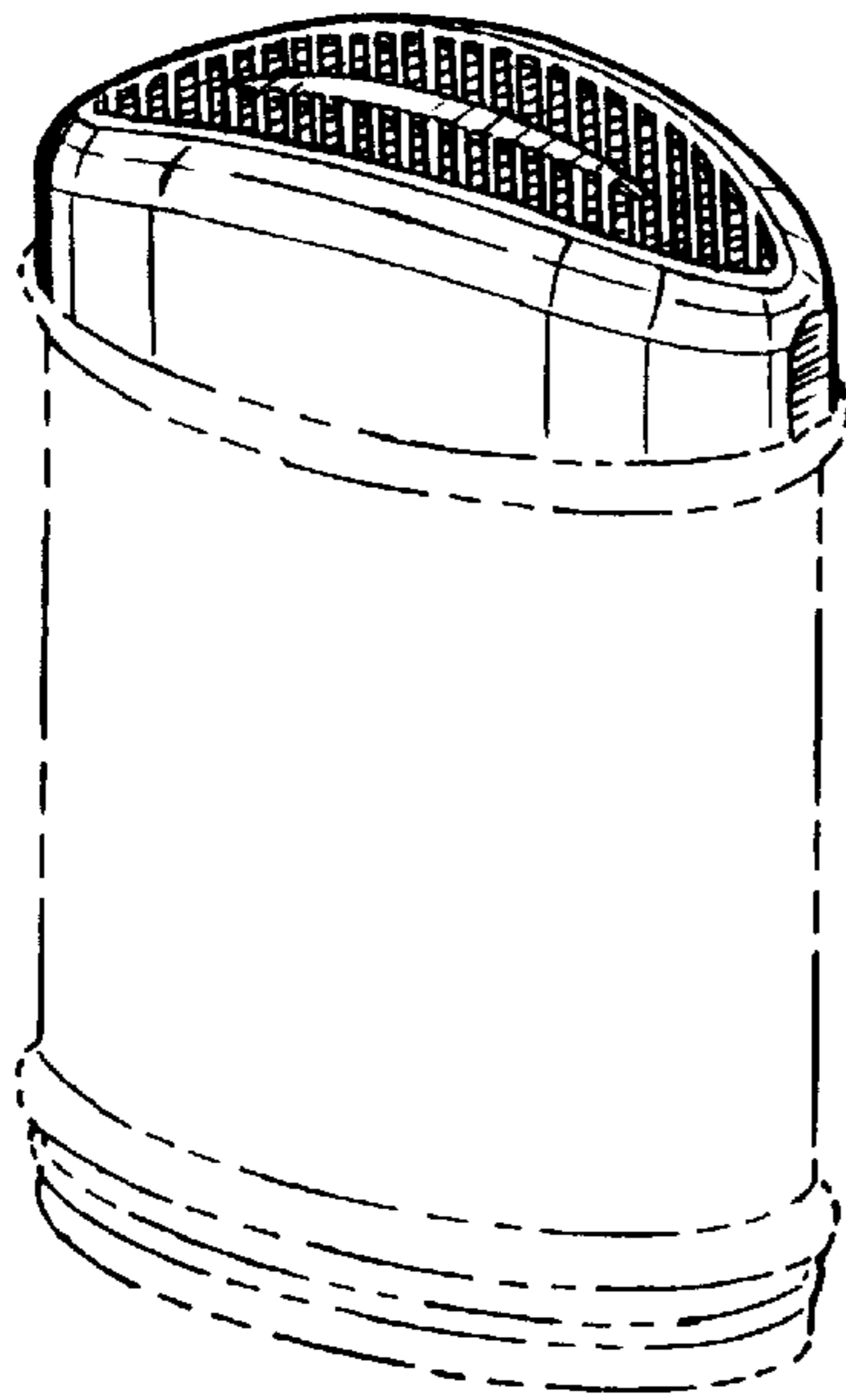


FIG. 2

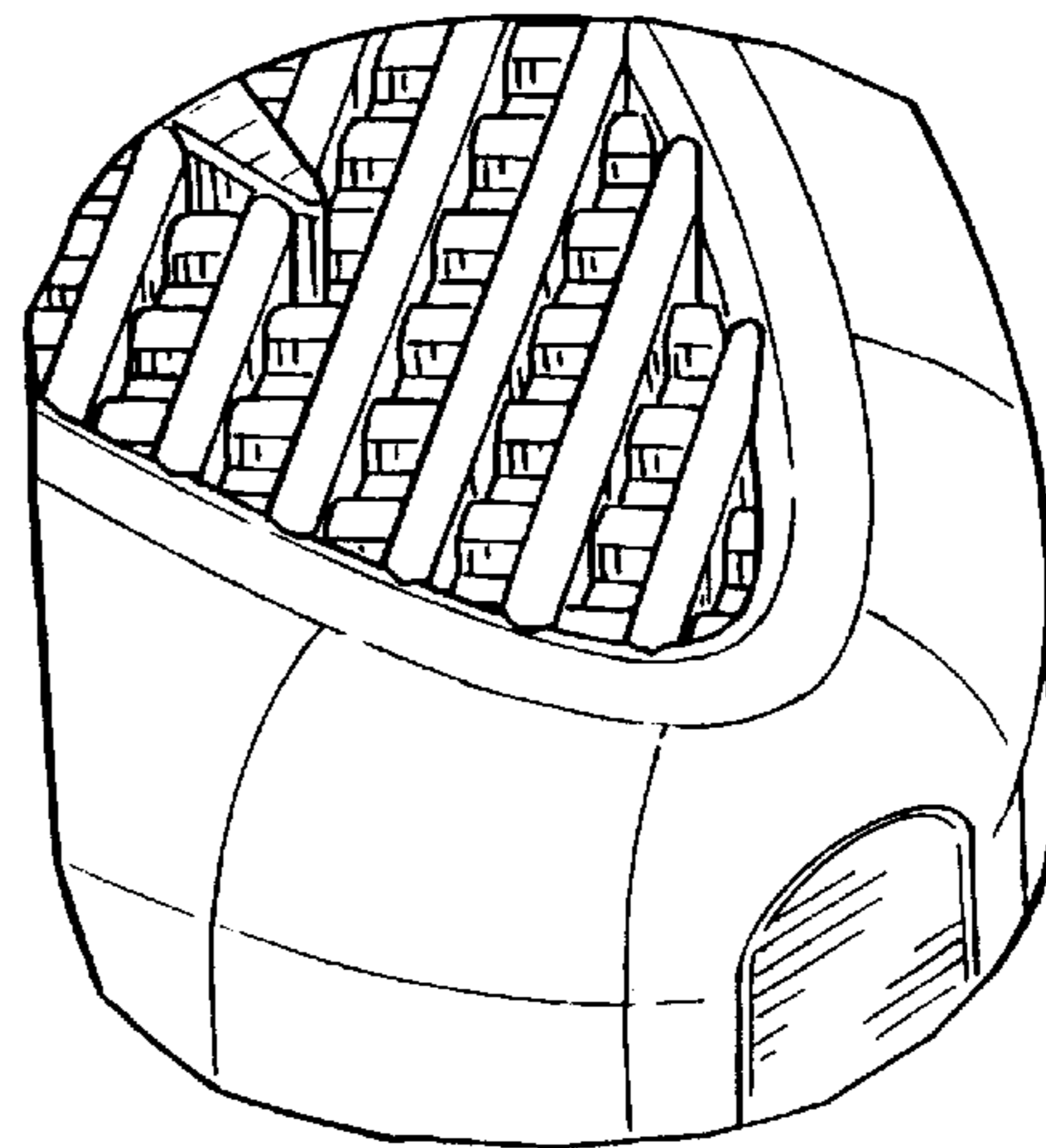


FIG. 3

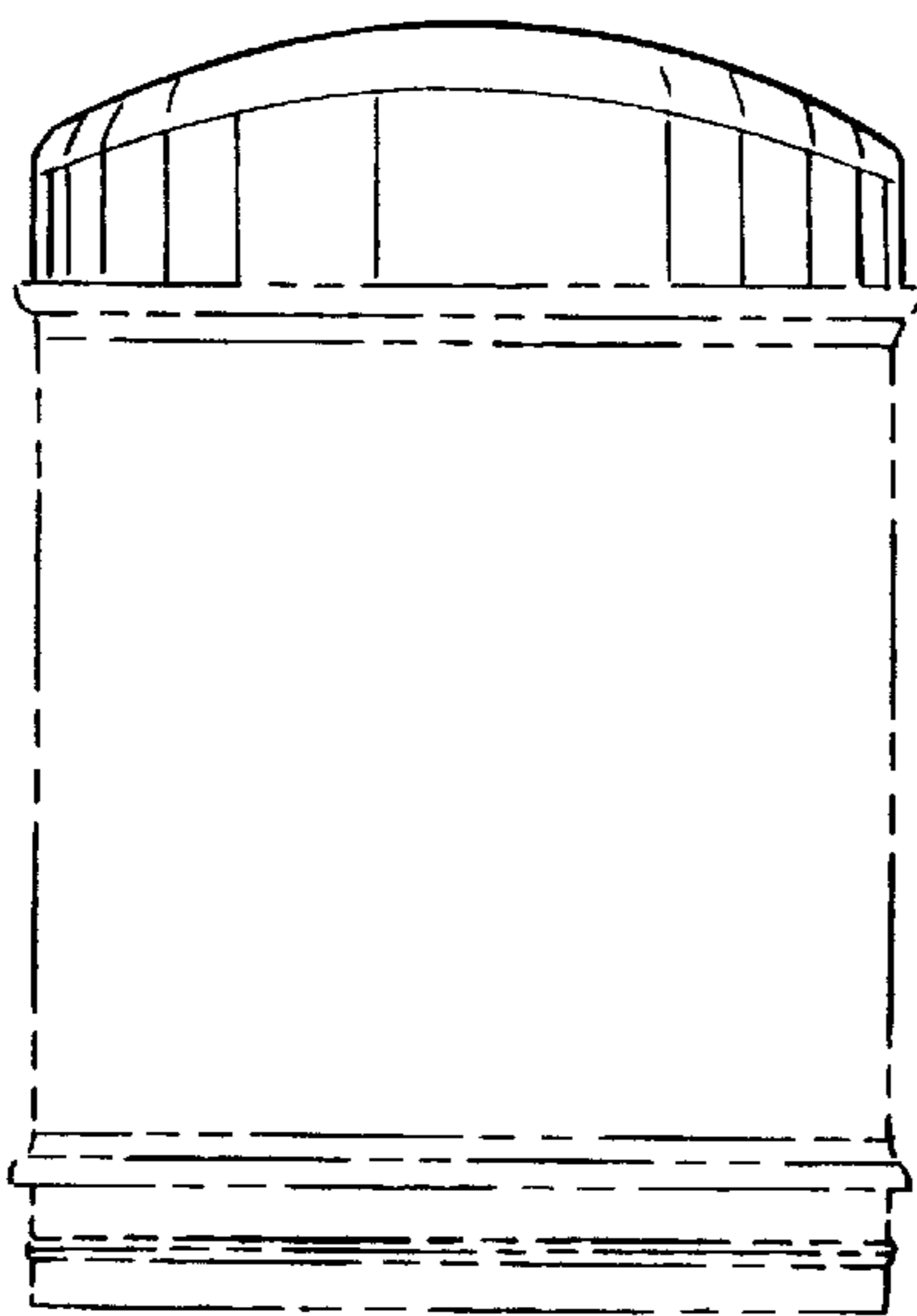


FIG. 4

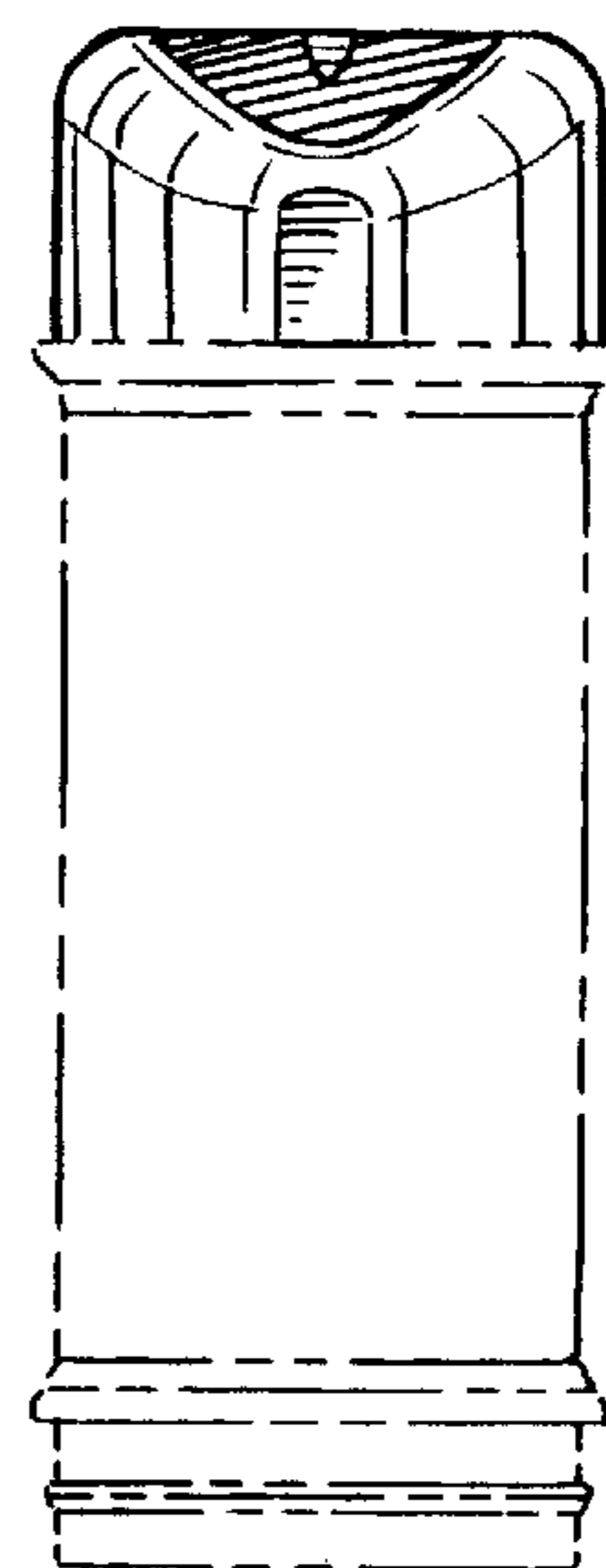


FIG. 5

