



US00D435216S

United States Patent [19]
Paoloski

[11] **Patent Number: Des. 435,216**

[45] **Date of Patent: ** Dec. 19, 2000**

[54] **BOTTLE**

[75] Inventor: **Andrea C. Paoloski**, Cincinnati, Ohio

[73] Assignee: **The Procter & Gamble Company**,
Cincinnati, Ohio

[**] Term: **14 Years**

[21] Appl. No.: **29/095,386**

[22] Filed: **Oct. 21, 1998**

D. 358,547	5/1995	Darr	D9/520
D. 376,316	12/1996	Lynn et al.	D9/434
D. 417,392	12/1999	Zhang	D9/434
4,978,015	12/1990	Walker	215/375
5,320,230	6/1994	Hsiung	215/375
5,427,258	6/1995	Krishnakumar et al. .	
5,507,402	4/1996	Clark	215/375
5,549,210	8/1996	Cheng	215/375
5,756,018	5/1998	Valyi	215/375
5,906,286	5/1999	Matsuno et al.	215/375

Primary Examiner—Lucy Lieberman
Attorney, Agent, or Firm—Jack L. Oney, Jr.; Paul M. Ulrich

Related U.S. Application Data

[63] Continuation of application No. 29/076,310, Sep. 16, 1997,
Pat. No. Des. 414,419, which is a continuation of application
No. 29/068,751, Mar. 31, 1997, Pat. No. Des. 400,443.

[51] **LOC (7) Cl.** **09-01**

[52] **U.S. Cl.** **D9/434; D9/520**

[58] **Field of Search** D9/520, 434; 215/375,
215/377

[56] **References Cited**

U.S. PATENT DOCUMENTS

D. 222,851 1/1972 Adomaitis D9/434

[57] **CLAIM**

The ornamental design for a bottle, as shown and described.

DESCRIPTION

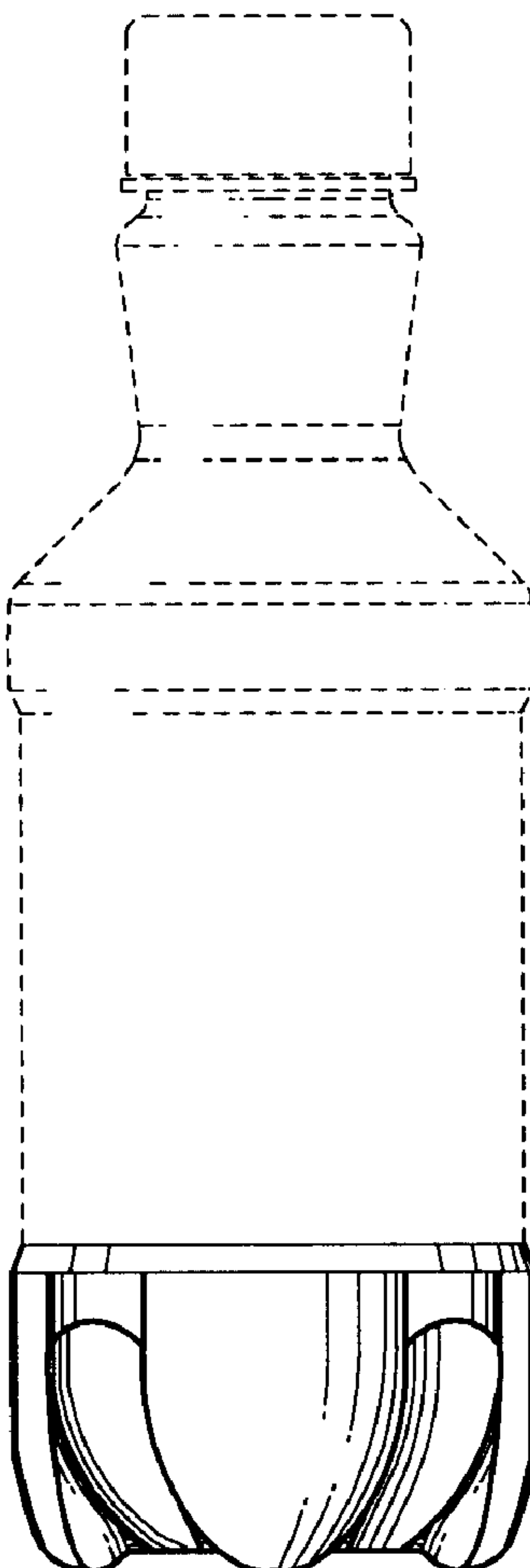
FIG. 1 is a perspective view of a bottle, embodying my new design;

FIG. 2 is a front elevation thereof, the rear and side elevations are the same; and,

FIG. 3 is a bottom view thereof.

The broken lines in the drawings are for illustrative purposes only and do not form part of the claimed design.

1 Claim, 1 Drawing Sheet



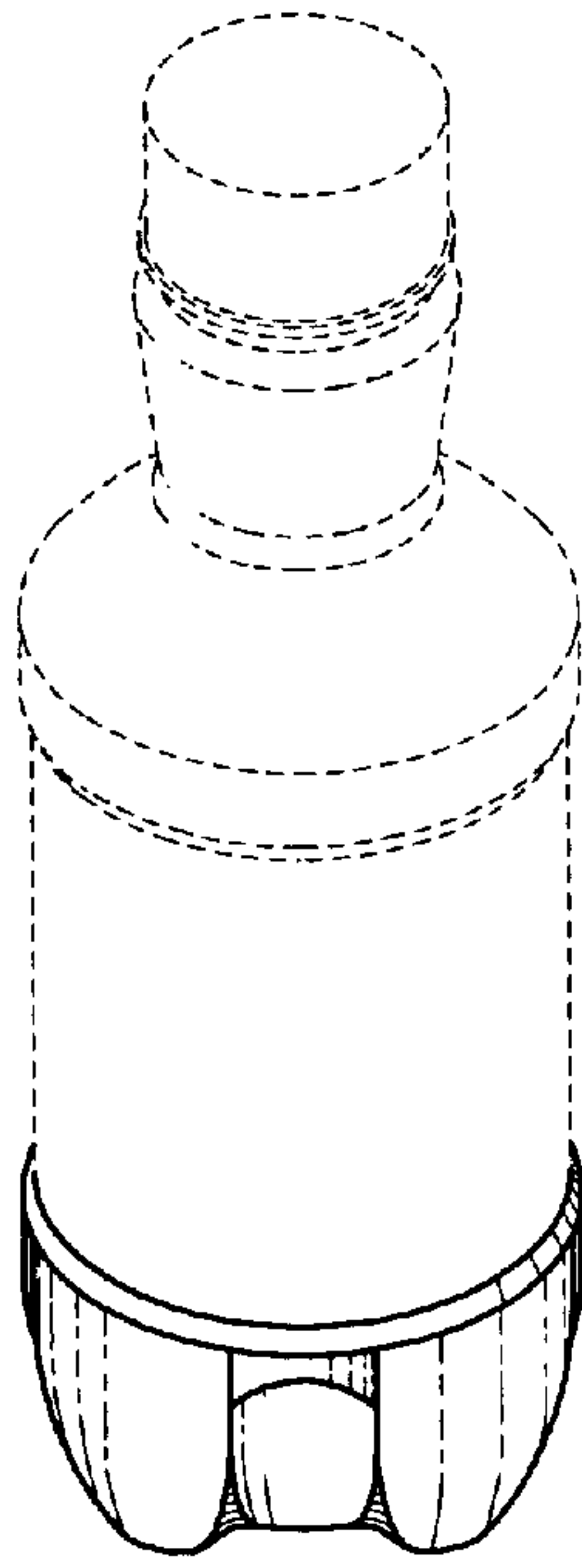


Fig. 1

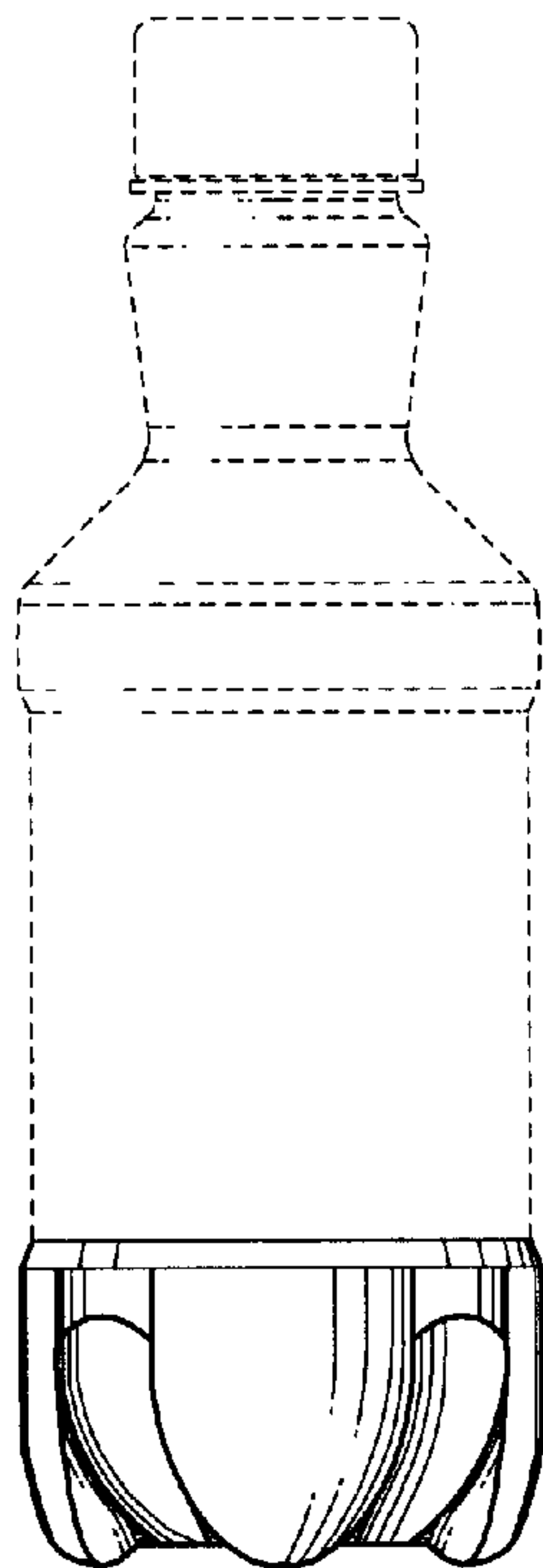


Fig. 2

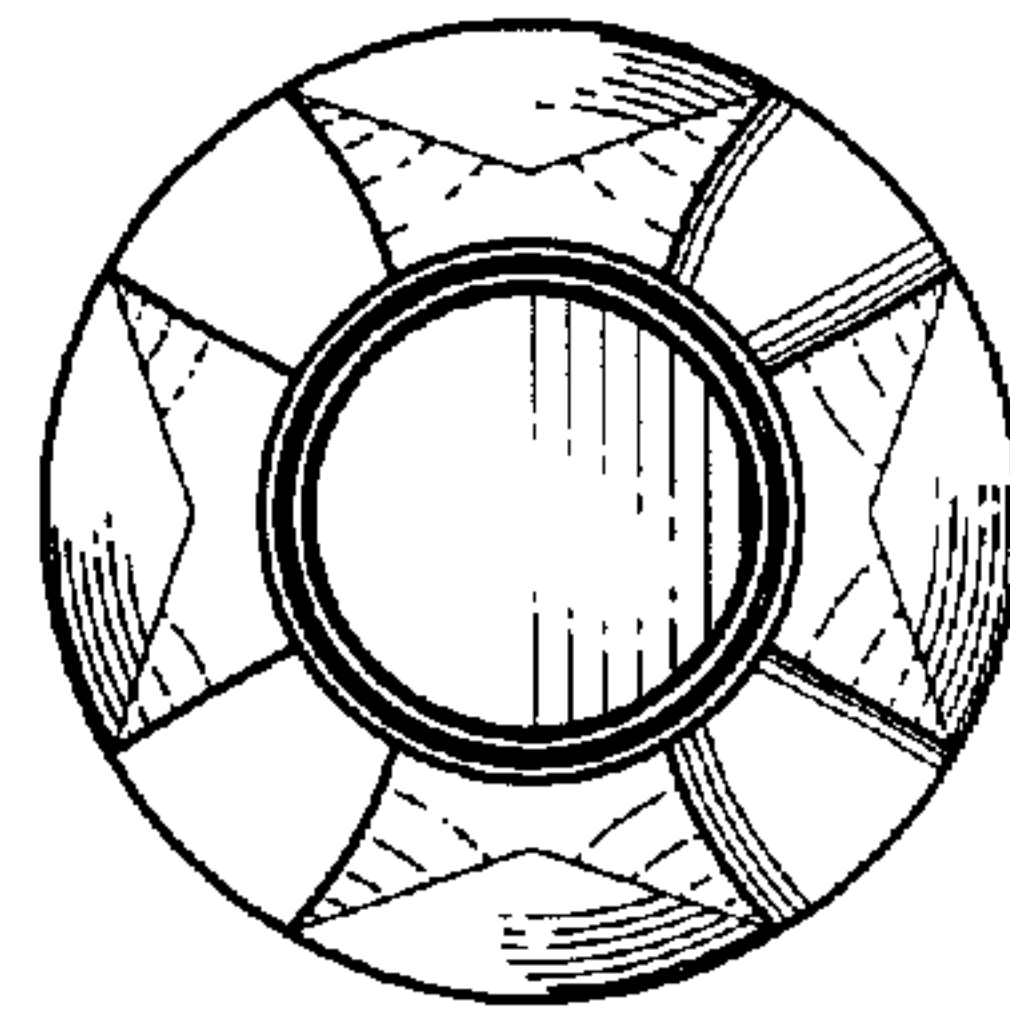


Fig. 3