



US00D435211S

# United States Patent [19] Rusch

[11] **Patent Number: Des. 435,211**

[45] **Date of Patent: \*\* Dec. 19, 2000**

[54] **LEG FOR A WINDOW REPAIR FIXTURE**

5,670,180 9/1997 Mackey et al. .  
5,776,506 7/1998 Thomas et al. .

[75] Inventor: **Bradd R. Rusch**, Clinton, Wis.

### OTHER PUBLICATIONS

[73] Assignee: **Auto Glass Specialists, Inc.**, Madison, Wis.

AEGIS®, Instruction Manual—AEGIS Windshield Repair®, Jun. 1993.

[\*\*] Term: **14 Years**

AEGIS®, AEGIS® Windshield Repair Product Catalog, 1998.

[21] Appl. No.: **29/093,641**

*Primary Examiner*—Holly Baynham  
*Attorney, Agent, or Firm*—Lathrop & Clark LLP

[22] Filed: **Sep. 15, 1998**

[51] **LOC (7) Cl.** ..... **08-05**

### [57] CLAIM

[52] **U.S. Cl.** ..... **D8/349**

The ornamental design for a leg for a window repair fixture, as shown and described.

[58] **Field of Search** ..... D8/349, 354; 425/12, 425/13; 248/300

### DESCRIPTION

### [56] References Cited

FIG. 1 is a perspective view of a fixture leg showing the new design;

#### U.S. PATENT DOCUMENTS

D. 365,979	1/1996	Blomqvist	.....	D8/400
D. 406,747	3/1999	Sonntag	.....	D8/354
4,249,869	2/1981	Peterson	.	
4,385,879	5/1983	Wilkinson	.	
4,814,185	3/1989	Jones	.	
4,921,411	5/1990	Ottenheimer	.	
5,116,441	5/1992	Campfield, Jr.	.	
5,328,649	7/1994	Newsome	.	
5,565,217	10/1996	Beckert et al.	.	
5,589,018	12/1996	Campfield	.	
5,614,046	3/1997	Campfield	.	

FIG. 2 is a top plan view thereof;

FIG. 3 is a bottom plan view thereof;

FIG. 4 is a first side elevational view thereof;

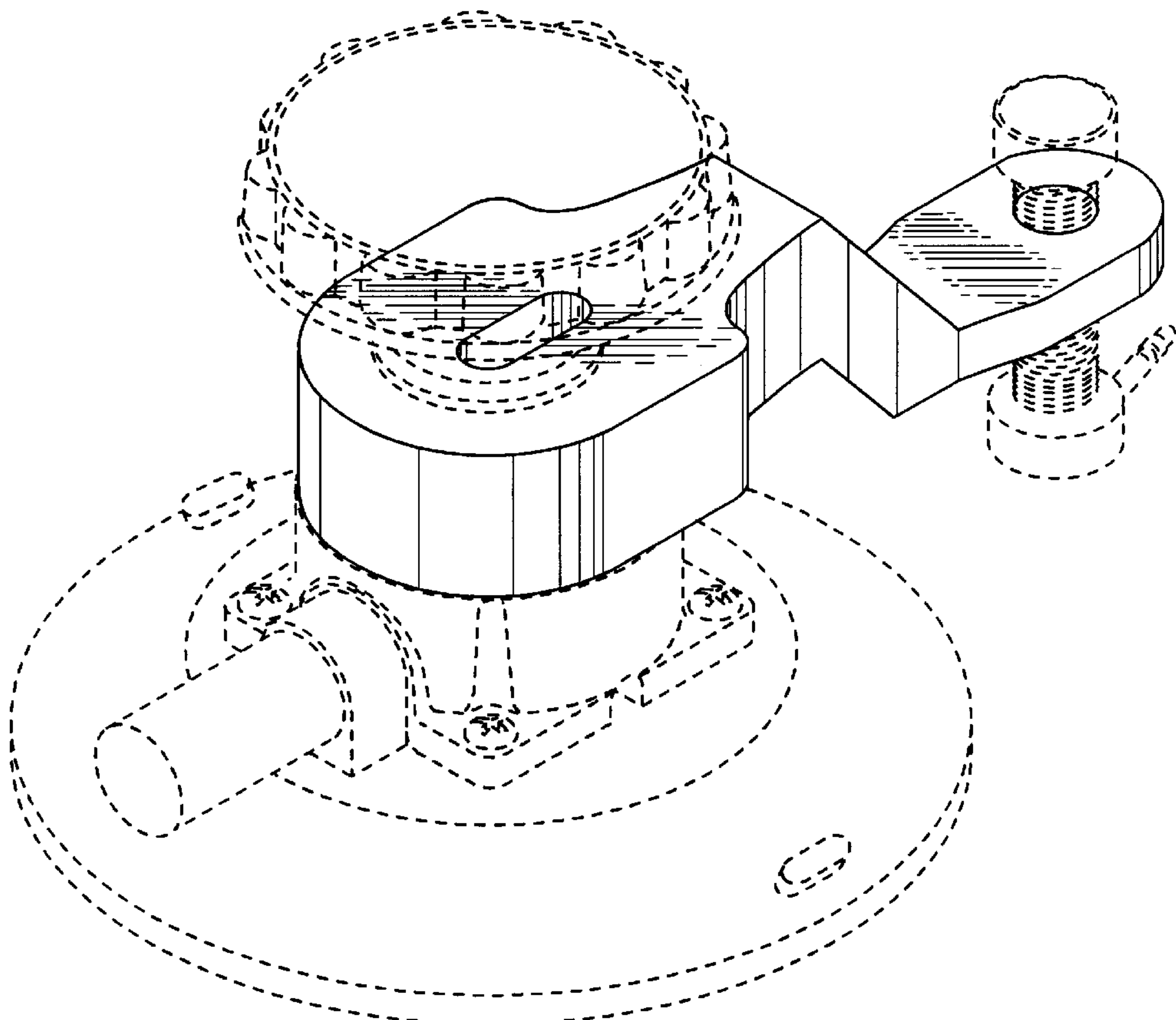
FIG. 5 is a second side elevational view thereof;

FIG. 6 is a back elevational view thereof; and,

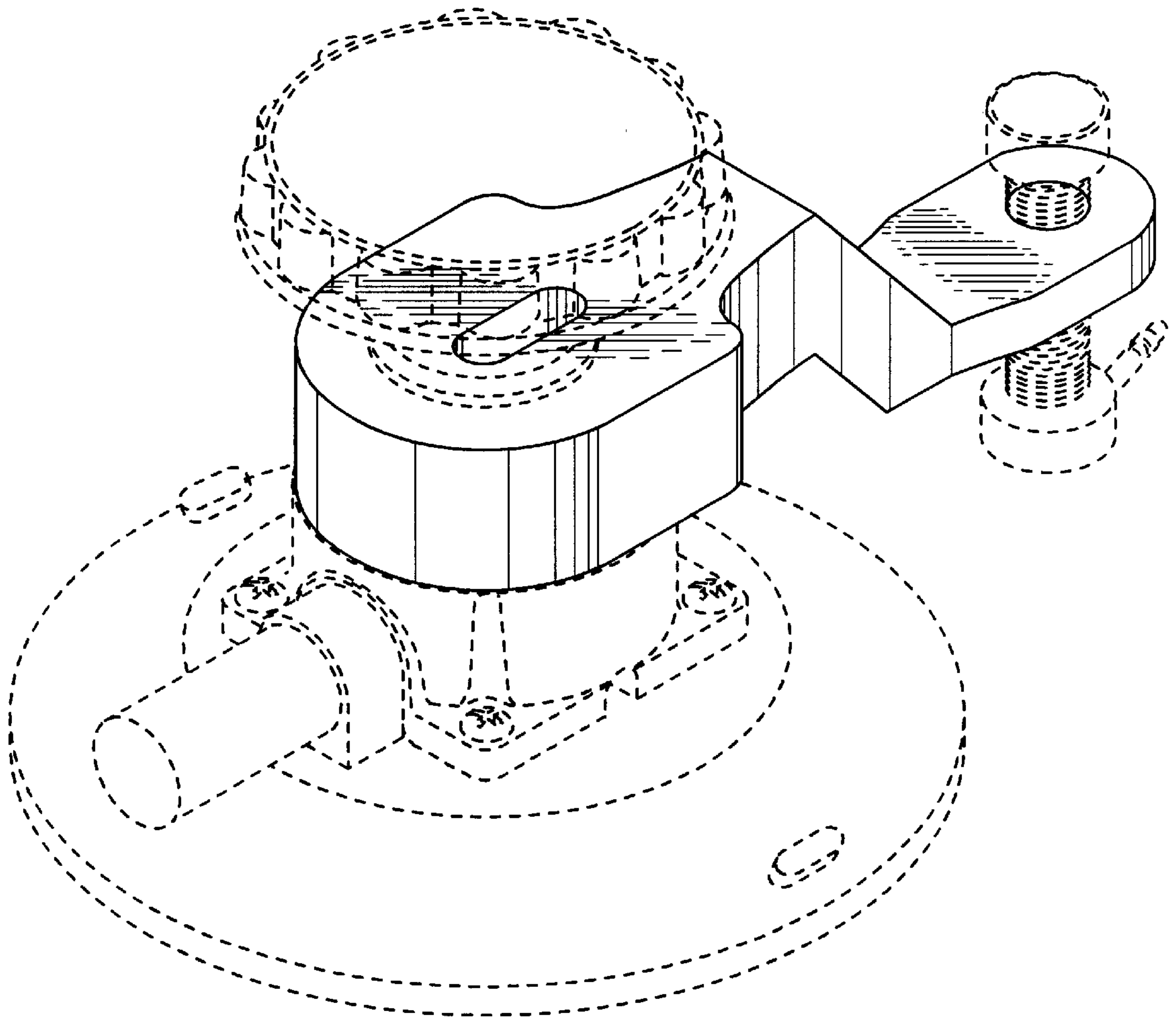
FIG. 7 is a front elevational view thereof.

The broken line showing of a window repair fixture is for illustrative purposes only and forms no part of the claimed design.

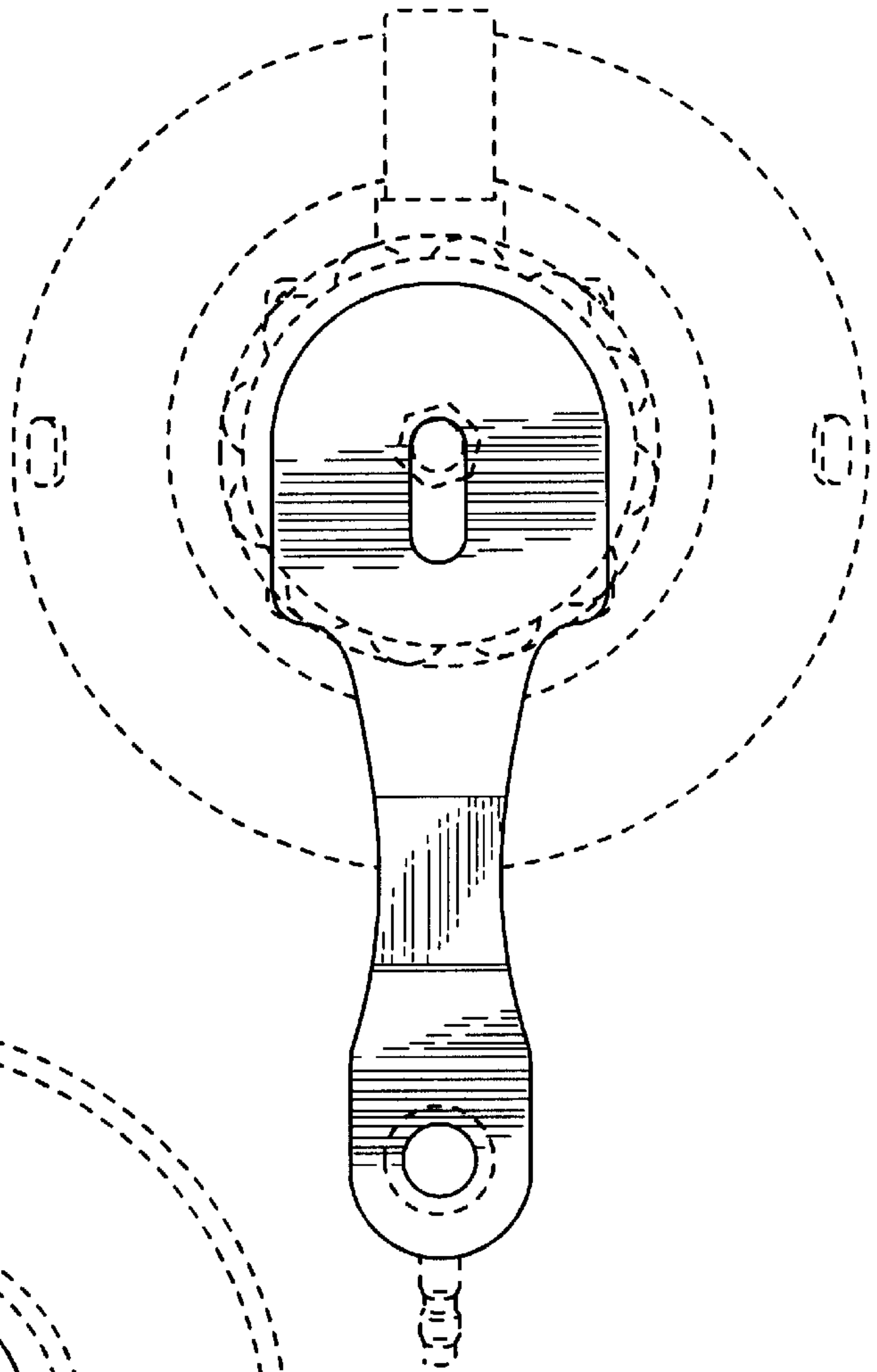
**1 Claim, 4 Drawing Sheets**



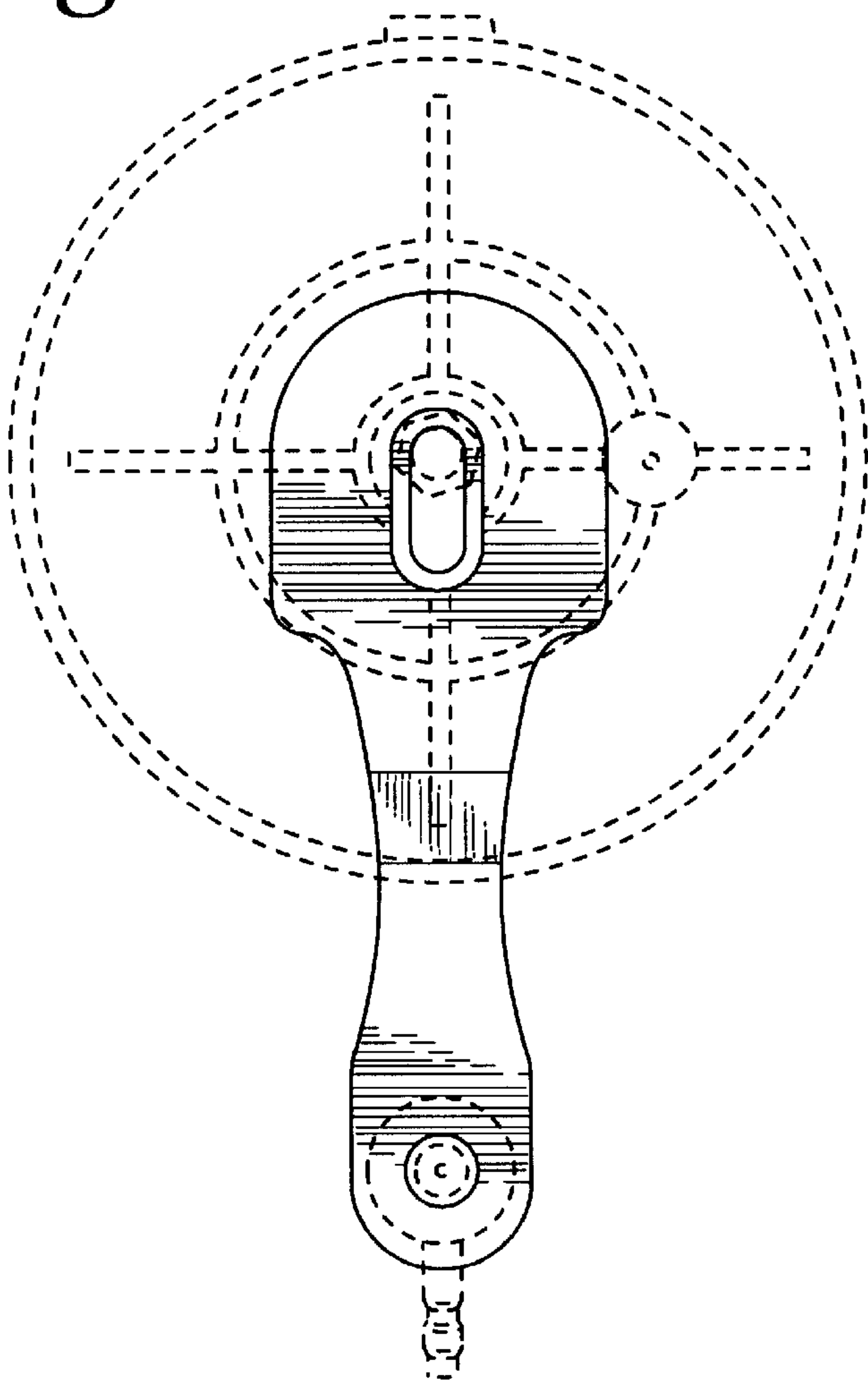
*Fig. 1*



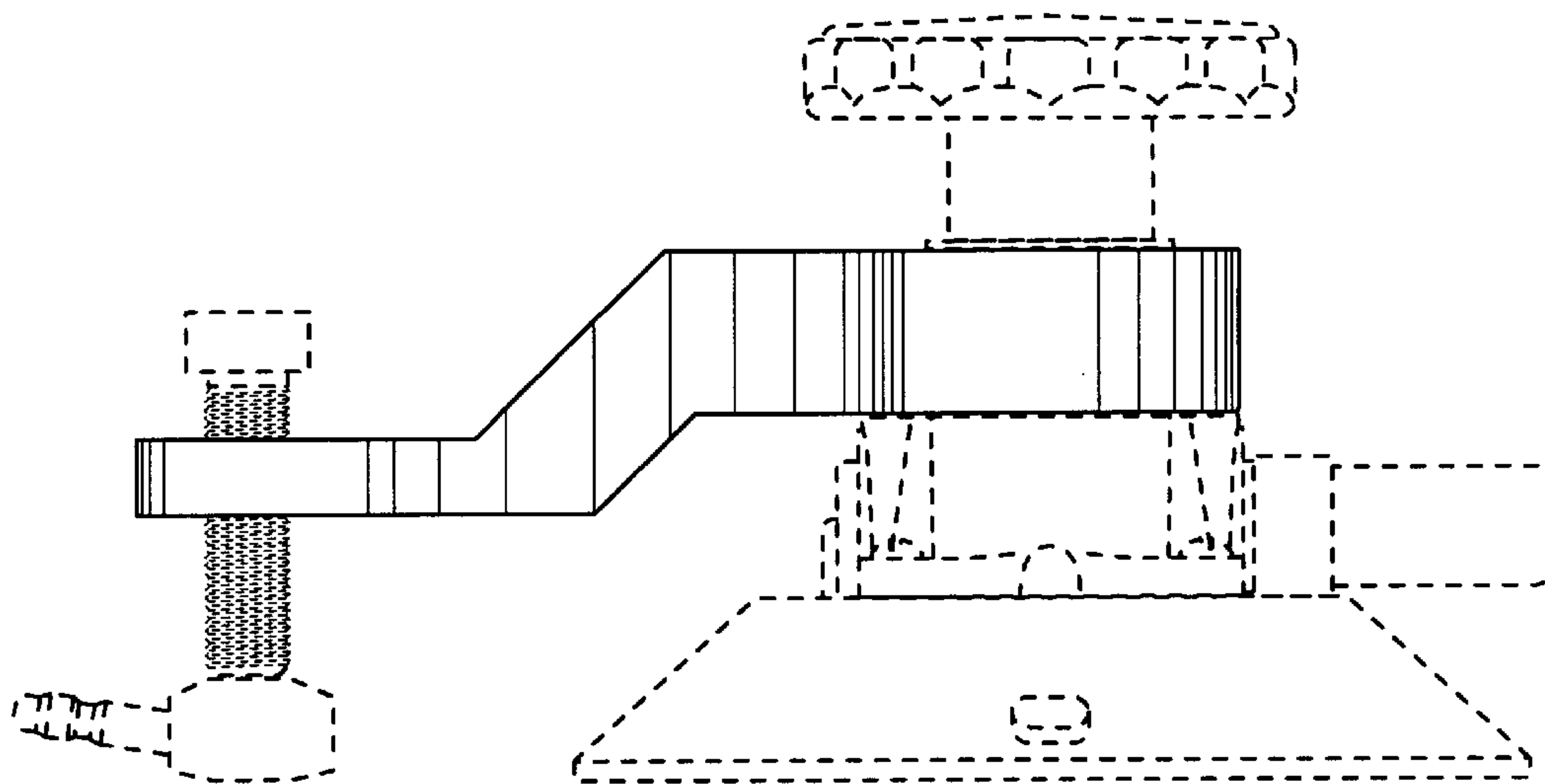
*Fig. 2*



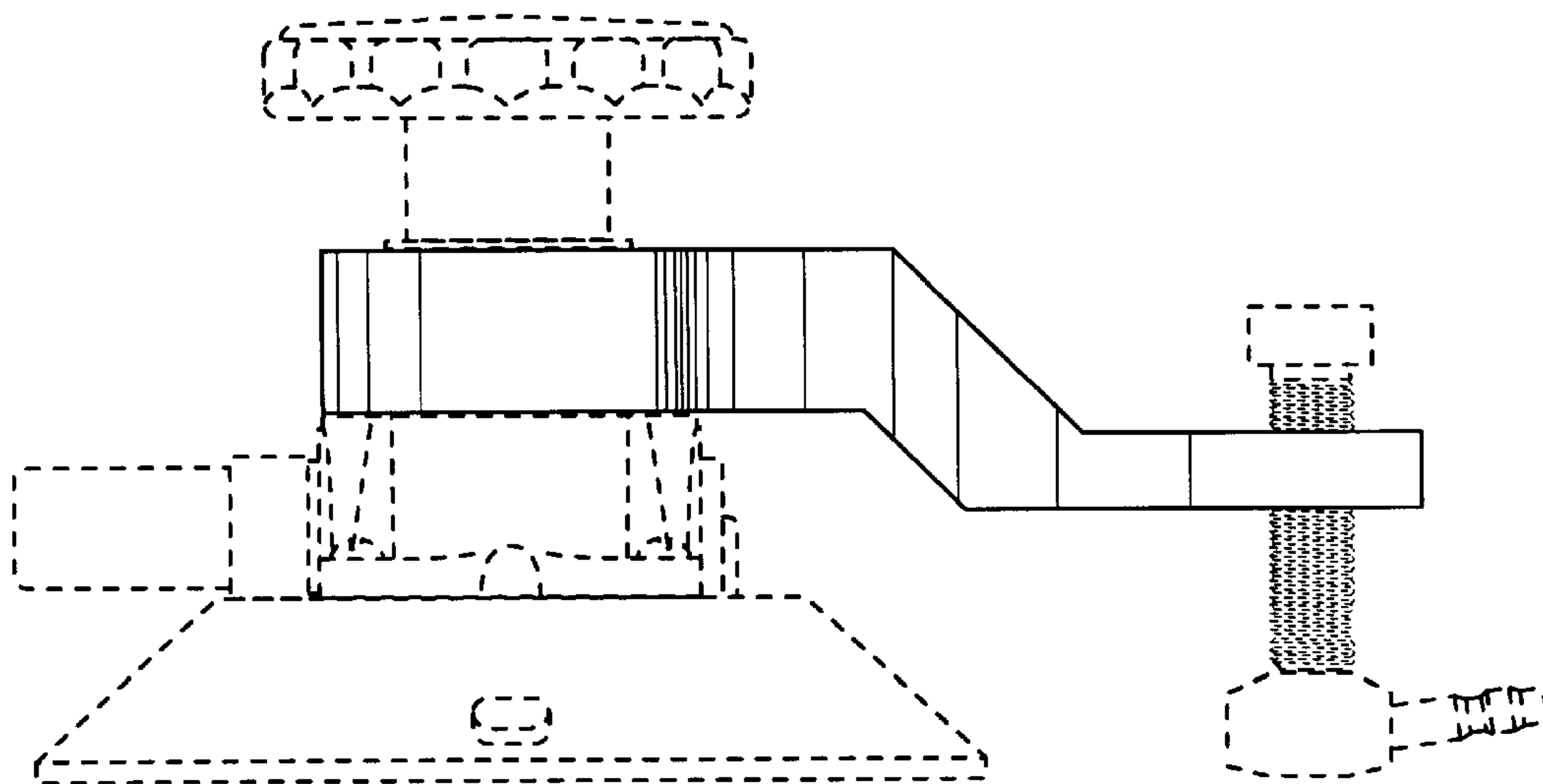
*Fig. 3*



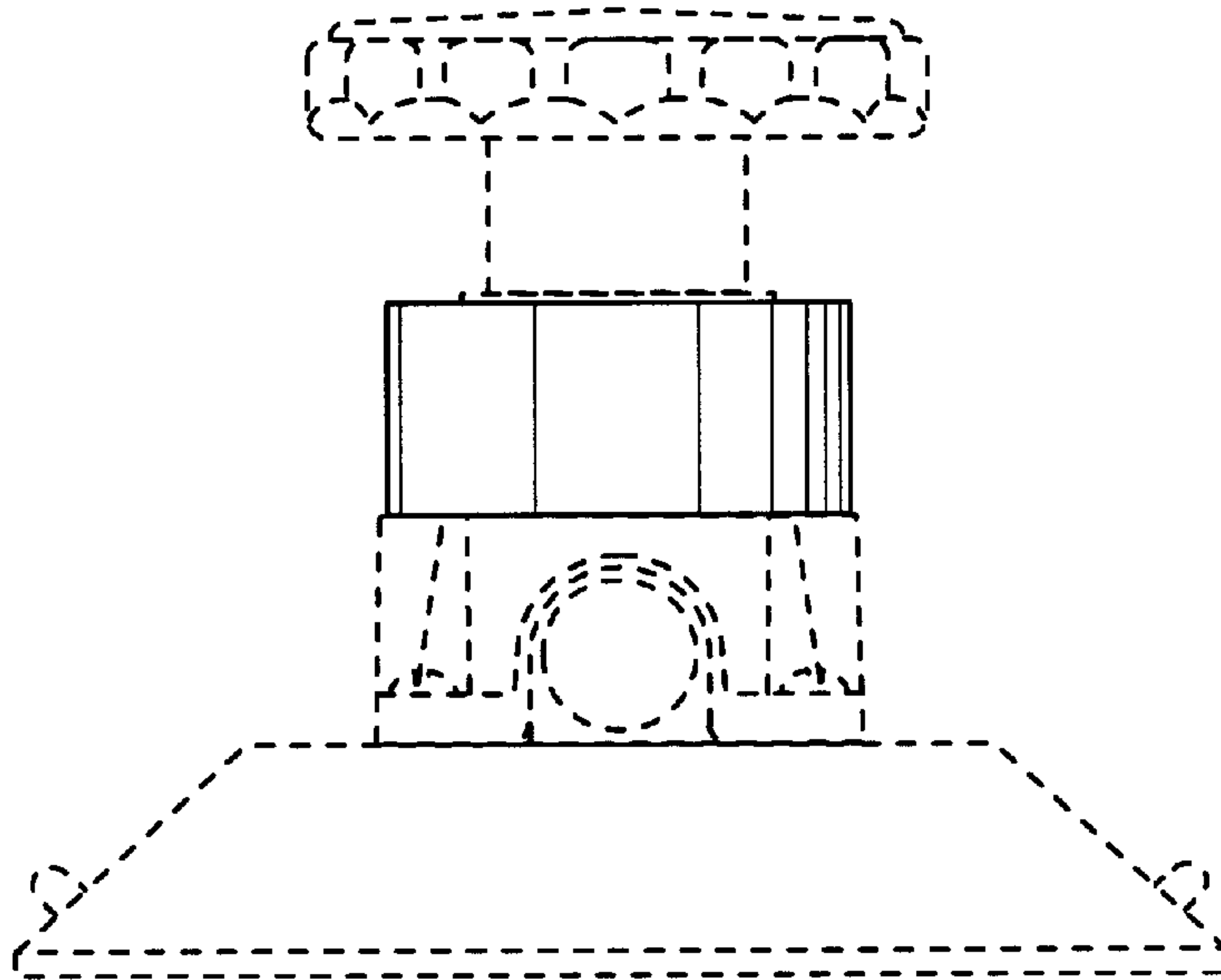
*Fig. 4*



*Fig. 5*



*Fig. 6*



*Fig. 7*

