



US00D435208S

United States Patent [19] Miller

[11] Patent Number: **Des. 435,208**

[45] Date of Patent: **** Dec. 19, 2000**

[54] **CLAMP**

[75] Inventor: **Timothy J. Miller**, Ligonier, Ind.

[73] Assignee: **Universal Consolidated Methods, Inc.**,
Topeka, Ind.

[**] Term: **14 Years**

[21] Appl. No.: **29/118,234**

[22] Filed: **Feb. 4, 2000**

[51] **LOC (7) Cl.** **08-05**

[52] **U.S. Cl.** **D8/73; D8/72**

[58] **Field of Search** **D8/71, 72, 73,**
D8/74, 394, 396, 397; 269/143, 239, 249,
252; 403/373, 256, 257, 231.71; 248/229.15,
229.25, 228.6

[56] **References Cited**

U.S. PATENT DOCUMENTS

- D. 239,364 3/1976 Mooney D8/396
- D. 267,625 1/1983 Dark D8/72

- D. 271,939 12/1983 Little D8/73
- D. 358,798 5/1995 Miller D8/72
- D. 364,792 12/1995 Yoder et al. D8/72
- D. 375,440 11/1996 Yoder et al. D8/73
- D. 378,343 3/1997 Macor D8/73
- 4,074,899 2/1978 Hochstetler 269/249

Primary Examiner—Philip S. Hyder
Attorney, Agent, or Firm—Taylor & Aust, P.C.

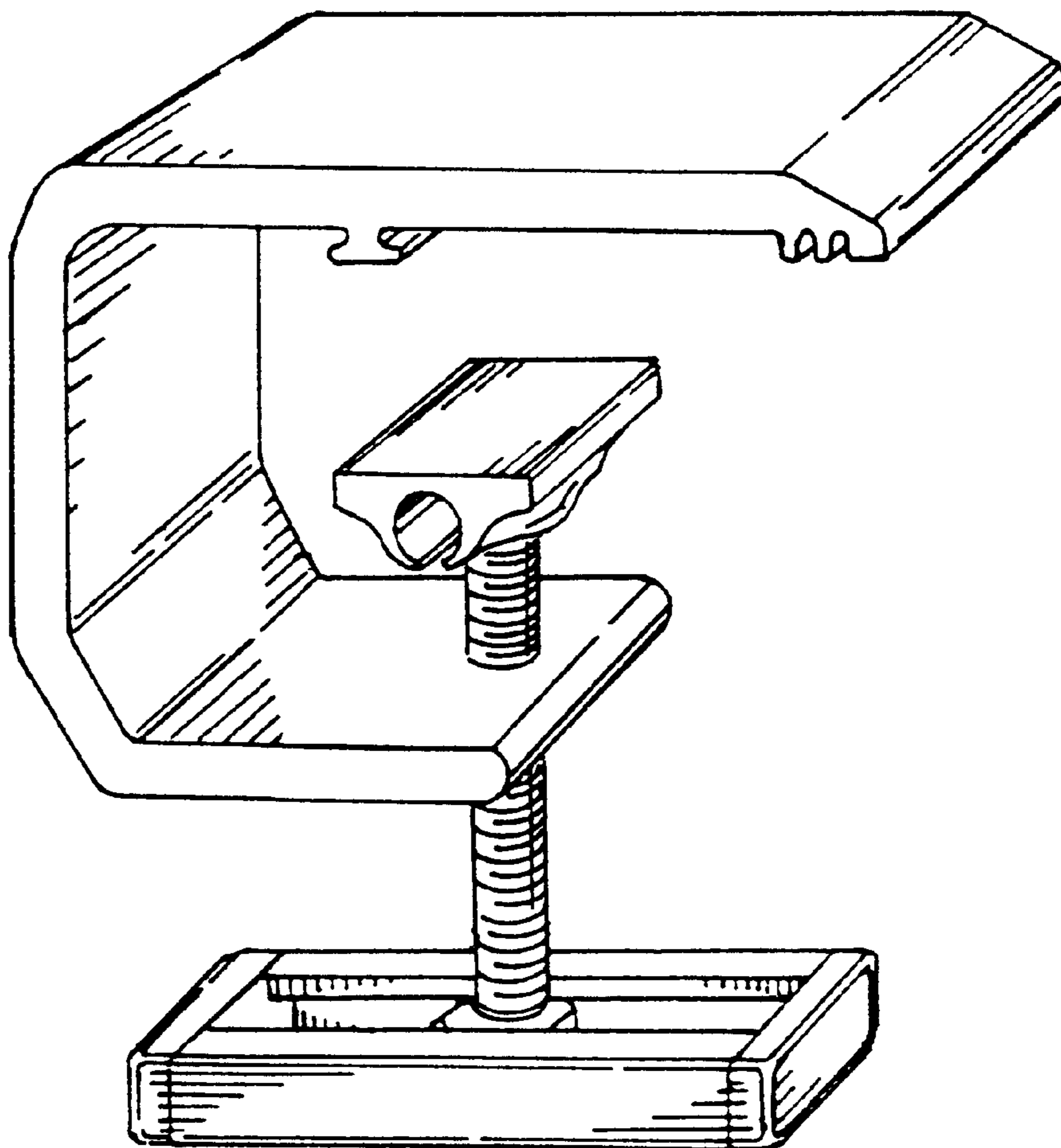
[57] **CLAIM**

The ornamental design for a clamp, as shown and described.

DESCRIPTION

FIG. 1 is a perspective view of a clamp showing my new design;
 FIG. 2 is a side view thereof, the other side view being a mirror image thereof;
 FIG. 3 is a front view thereof;
 FIG. 4 is a rear view thereof;
 FIG. 5 is a top view thereof; and,
 FIG. 6 is a bottom view thereof.

1 Claim, 2 Drawing Sheets



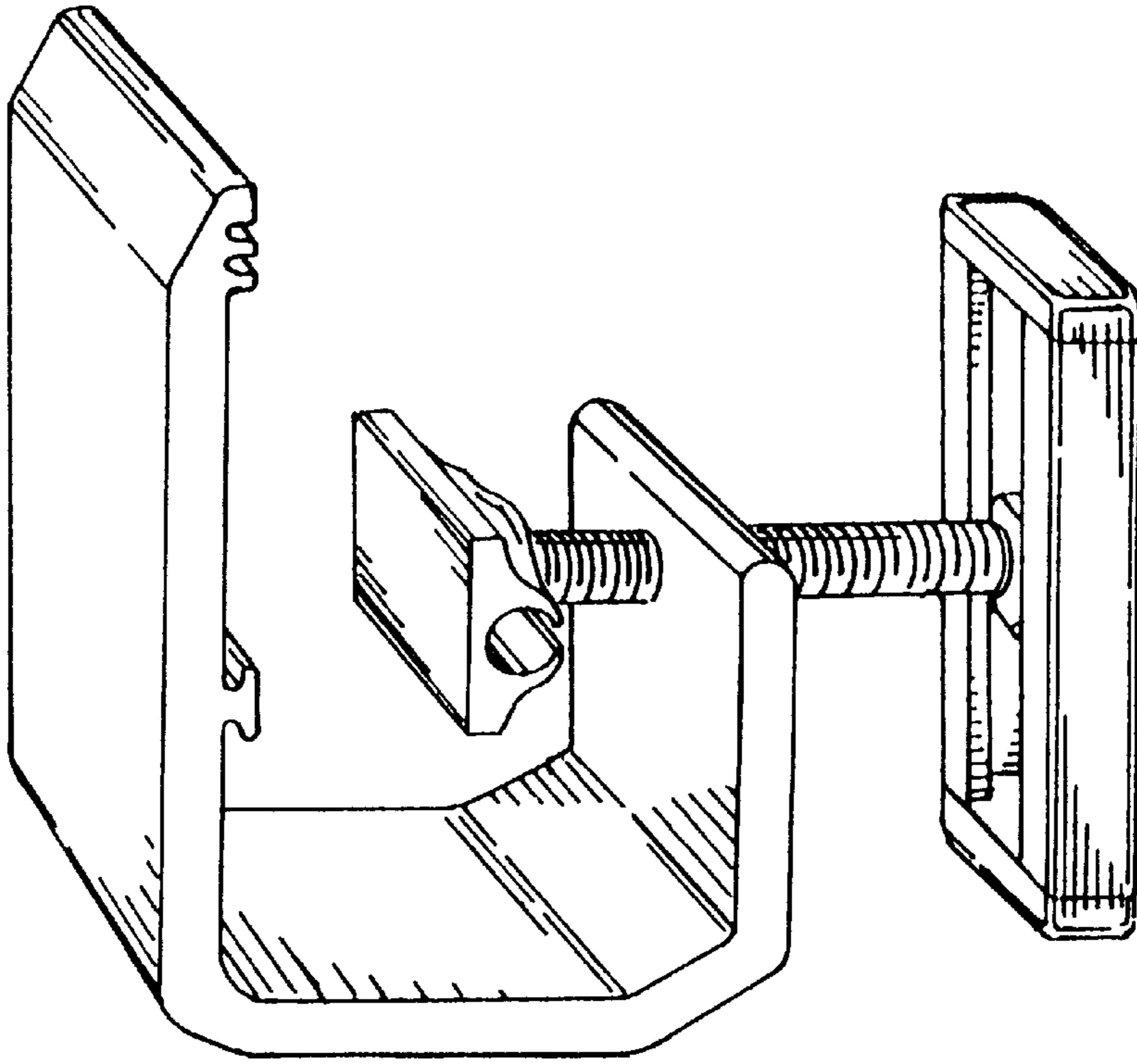


FIG. 1

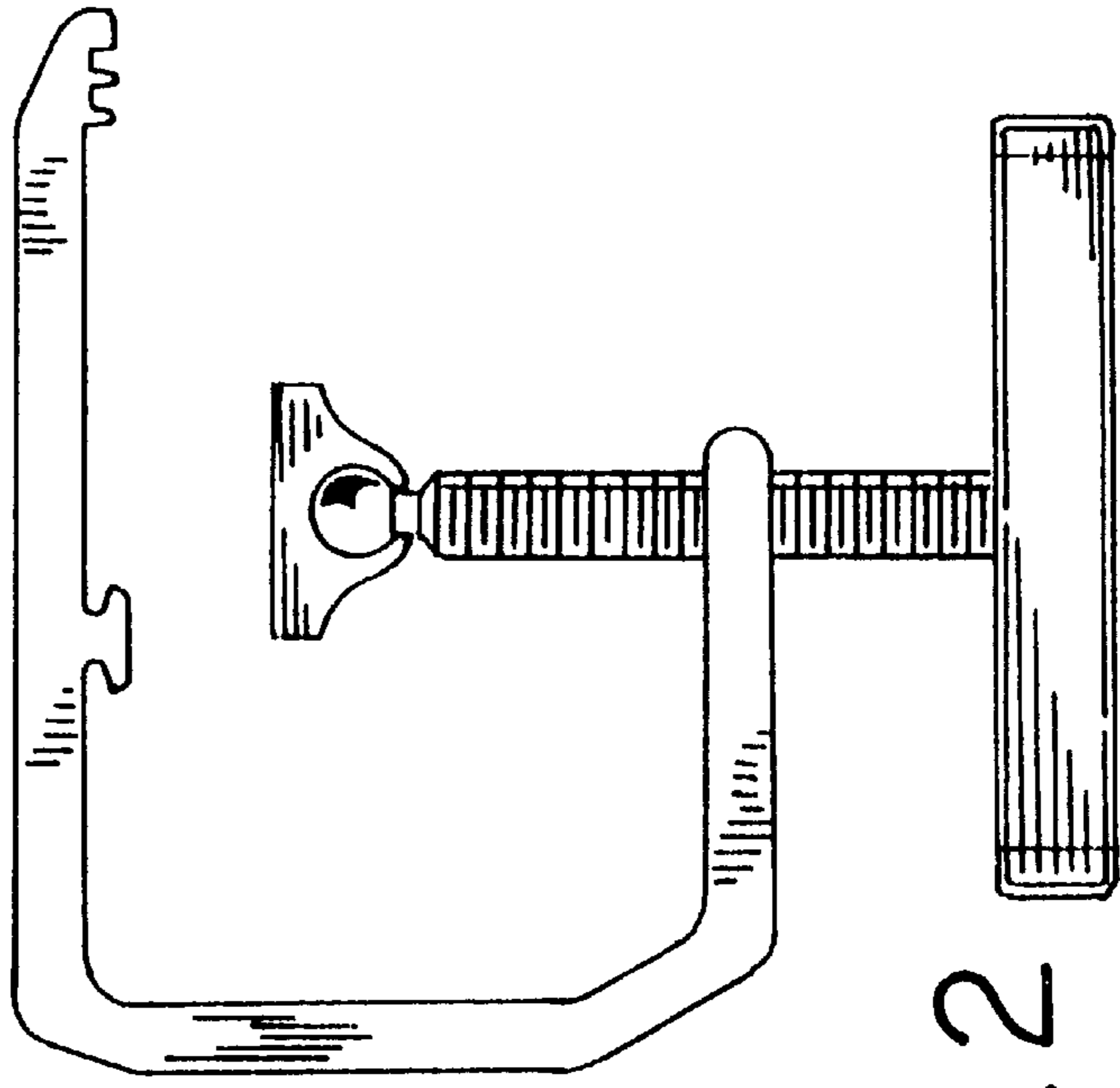


FIG. 2

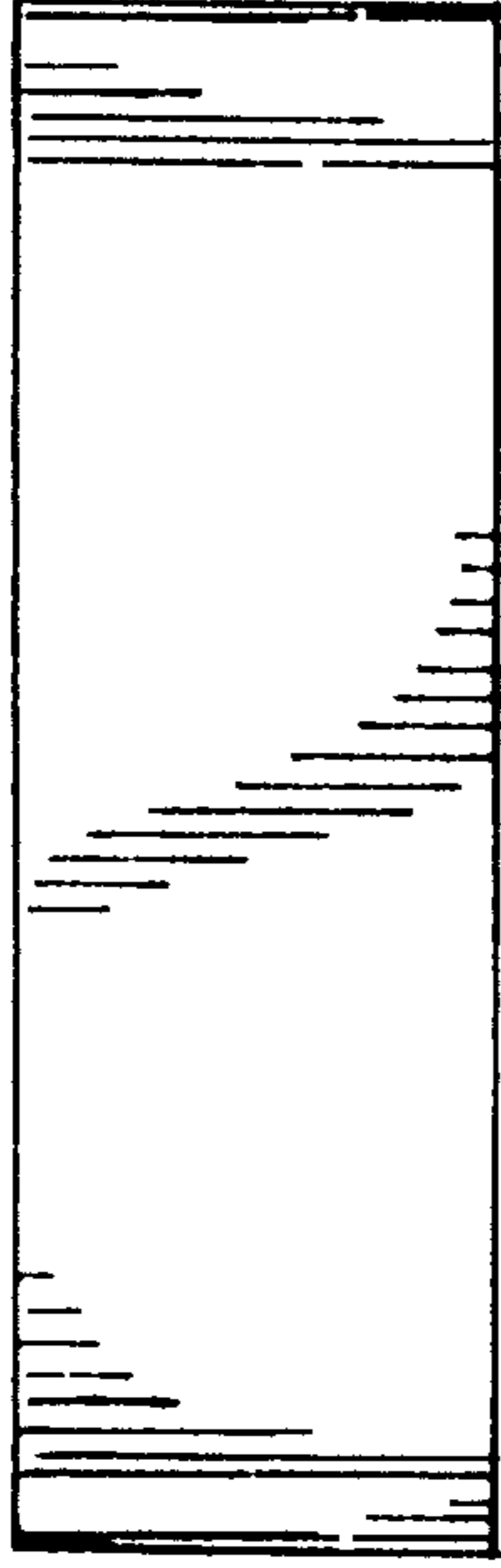


FIG. 5

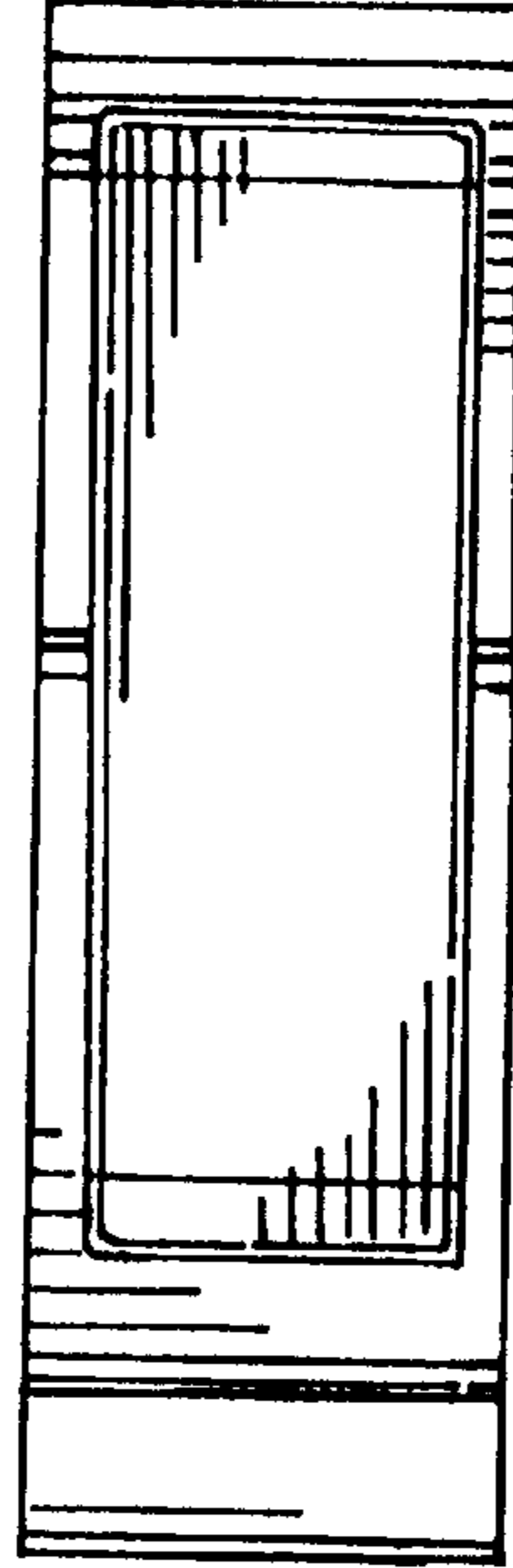


FIG. 6

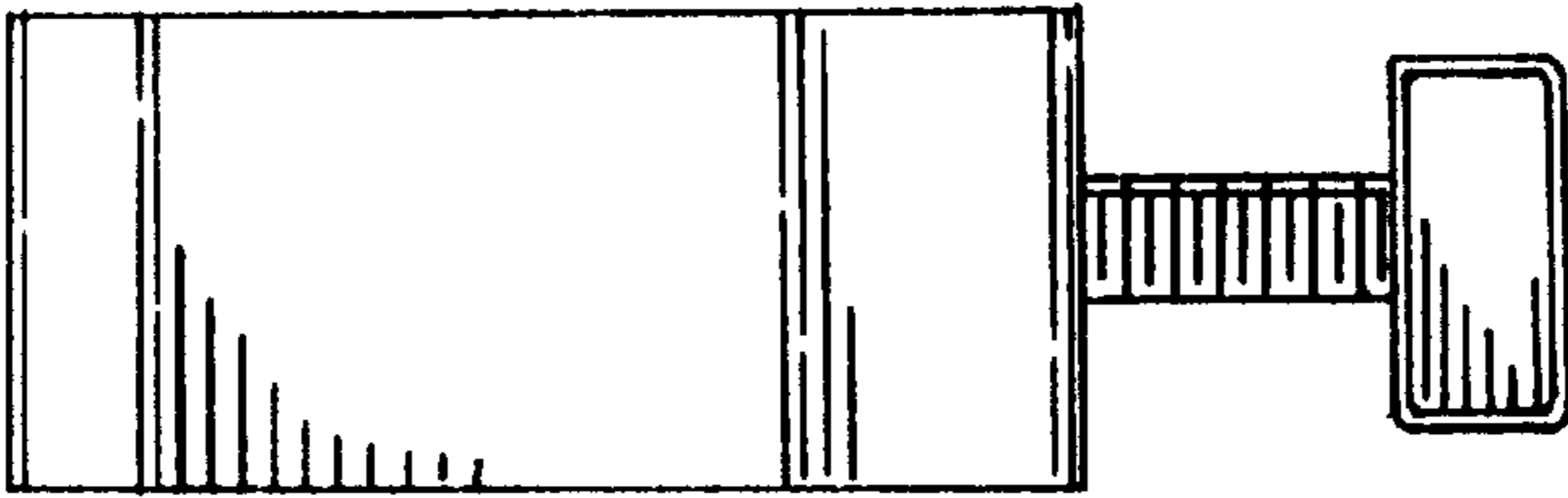


FIG. 4

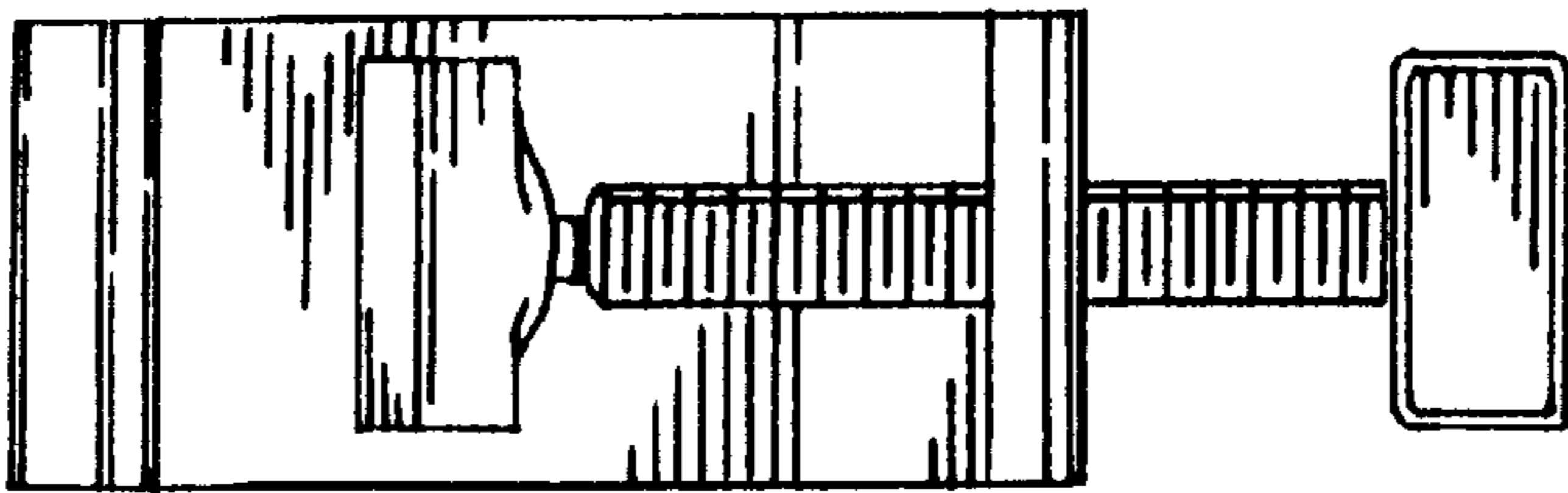


FIG. 3