



US00D435206S

United States Patent [19]

Etter et al.

[11] Patent Number: Des. 435,206

[45] Date of Patent: ** Dec. 19, 2000

[54] PNEUMATIC STICK MAGAZINE FRAMER NAILER

6,065,662 5/2000 Sauer 227/123 X

[75] Inventors: Mark A. Etter; Leslie Daily Gist, both of Jackson, Tenn.

Primary Examiner—Antoine Duval Davis
Attorney, Agent, or Firm—Merchant & Gould P.C.

[73] Assignee: Porter-Cable Corporation, Jackson, Tenn.

[57] CLAIM

[**] Term: 14 Years

The ornamental design for a pneumatic stick magazine framer nailer, as shown and described.

[21] Appl. No.: 29/109,698

[22] Filed: Aug. 19, 1999

DESCRIPTION

[51] LOC (7) Cl. 08-05

[52] U.S. Cl. D8/68; D8/69

[58] Field of Search D8/61, 68, 69; 227/2, 8, 111-115, 123, 120, 130

FIG. 1 is a front and top right perspective view of a pneumatic stick magazine framer nailer;
FIG. 2 is a front elevational view of the pneumatic stick magazine framer nailer shown in FIG. 1.
FIG. 3 is a rear elevational view of the pneumatic stick magazine framer nailer shown in FIG. 1.
FIG. 4 is a right side elevational view of the pneumatic stick magazine framer nailer shown in FIG. 1.
FIG. 5 is a left side elevational view of the pneumatic stick magazine framer nailer shown in FIG. 1.
FIG. 6 is a top plan view of the pneumatic stick magazine framer nailer shown in FIG. 1; and,
FIG. 7 is a bottom plan view of the pneumatic stick magazine framer nailer shown in FIG. 1.

[56] References Cited

U.S. PATENT DOCUMENTS

D. 377,590	1/1997	Lai	D8/68
D. 383,658	9/1997	Kaiser	D8/69
D. 415,002	10/1999	Rodgers et al.	D8/69
5,556,020	9/1996	Hou	227/123 X
5,727,726	3/1998	Lin	227/123 X

1 Claim, 7 Drawing Sheets

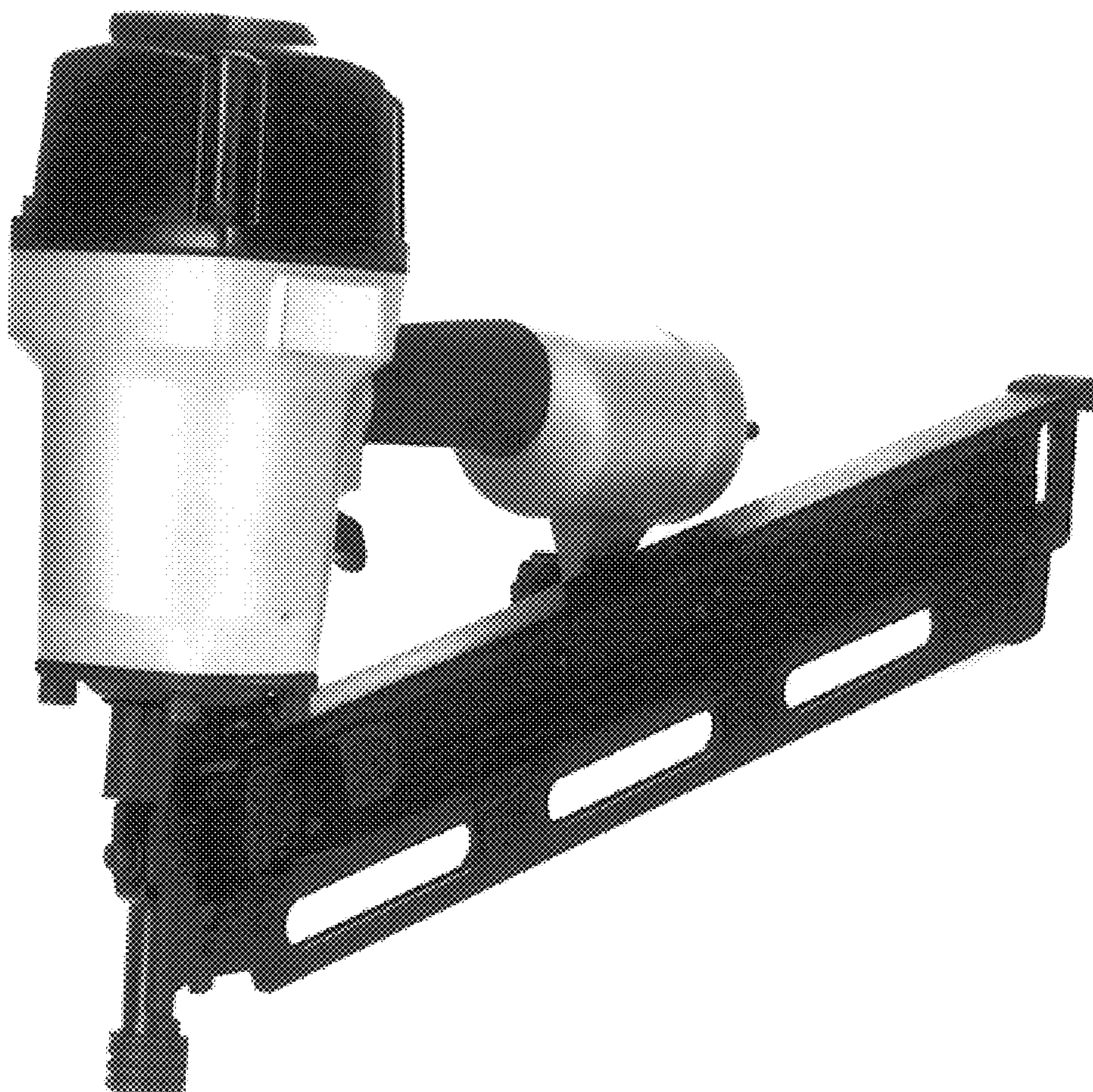


FIG. 1

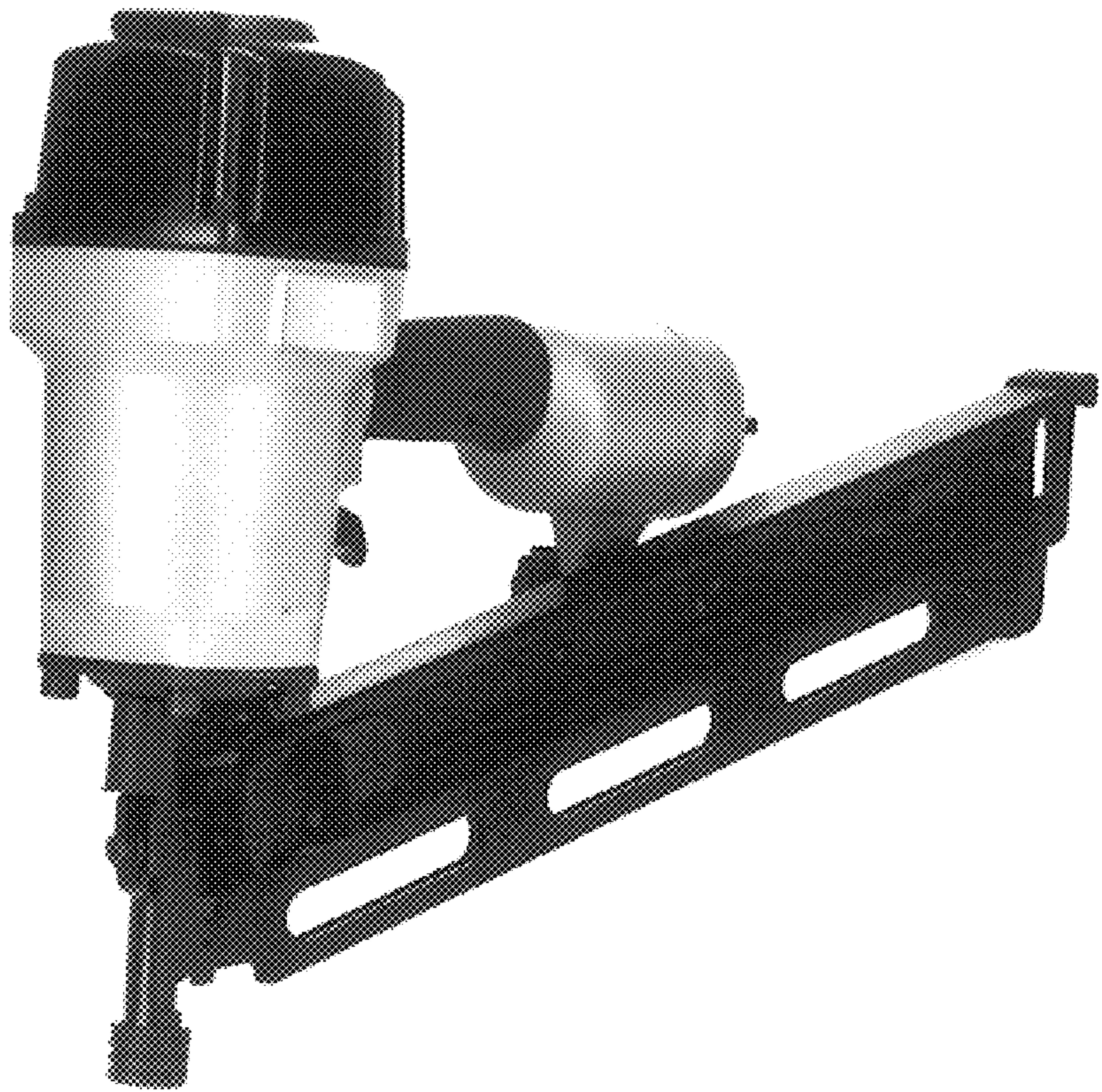


FIG. 2

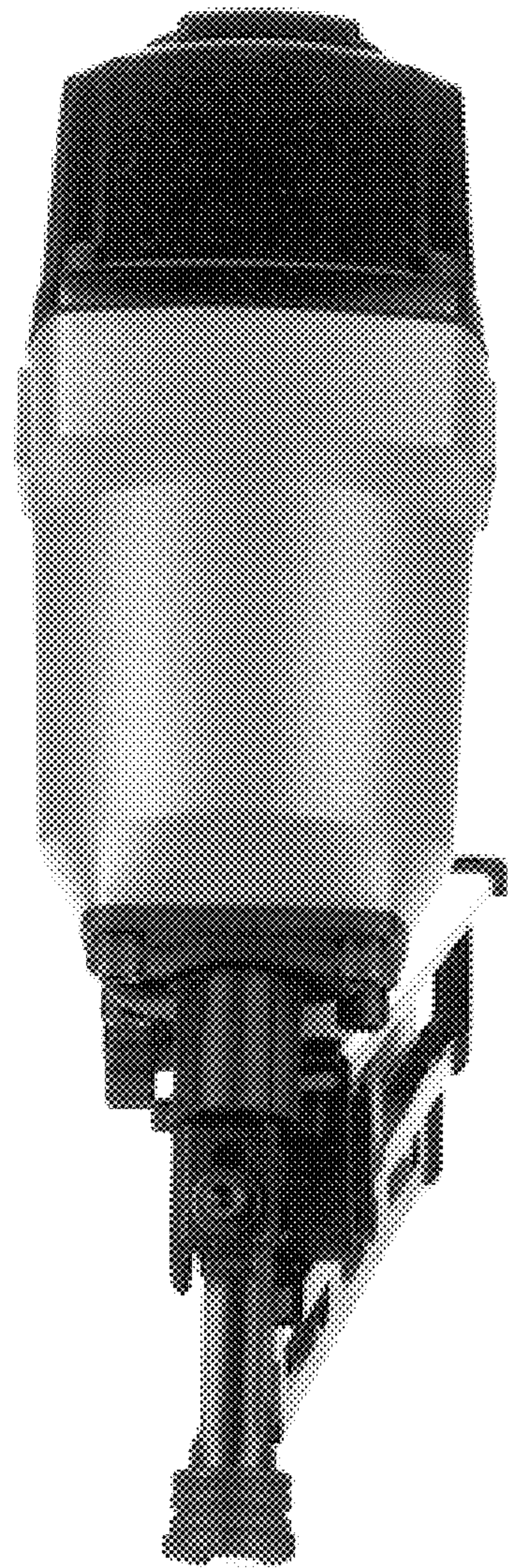


FIG. 3



FIG. 4

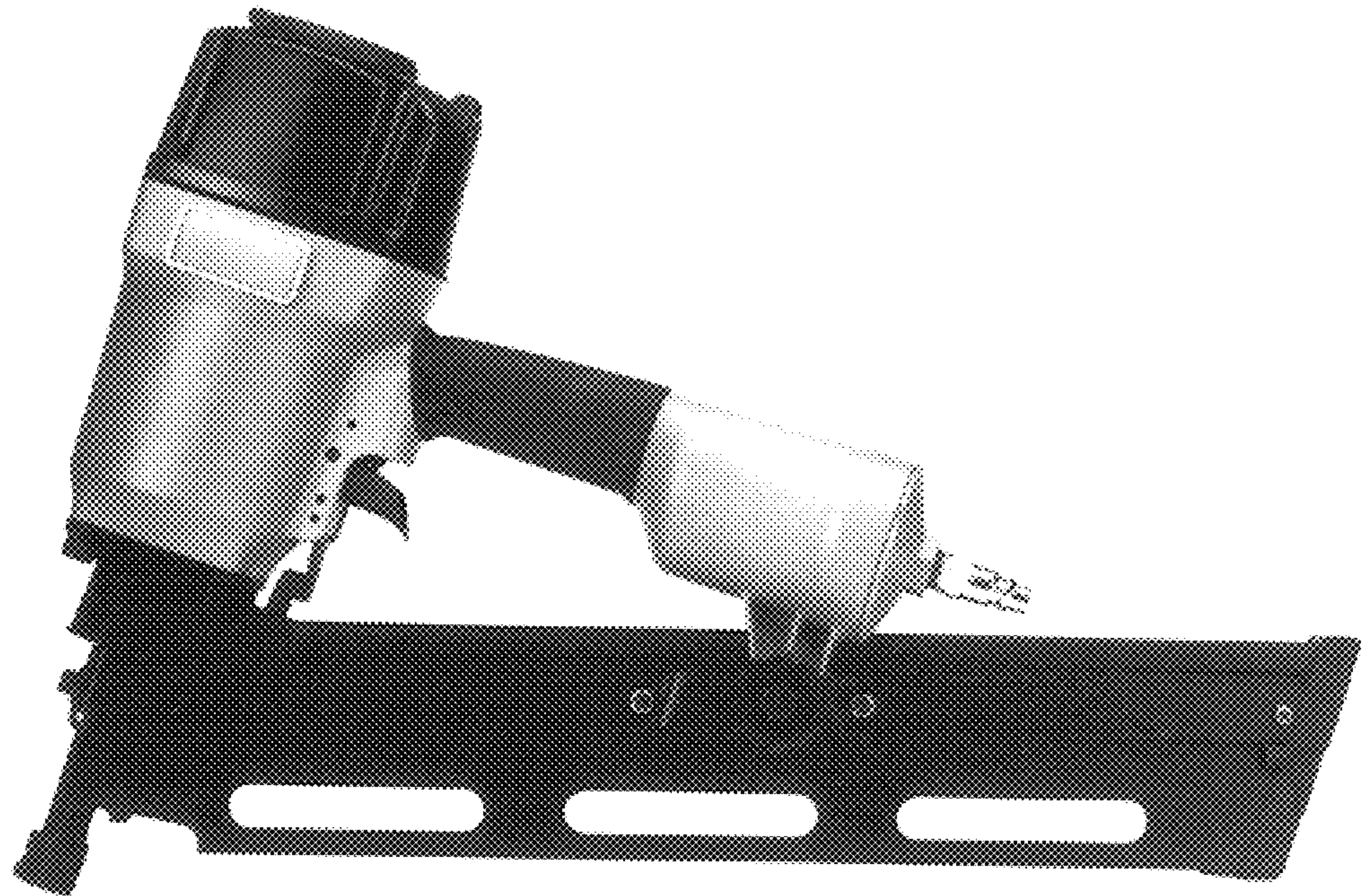


FIG. 5

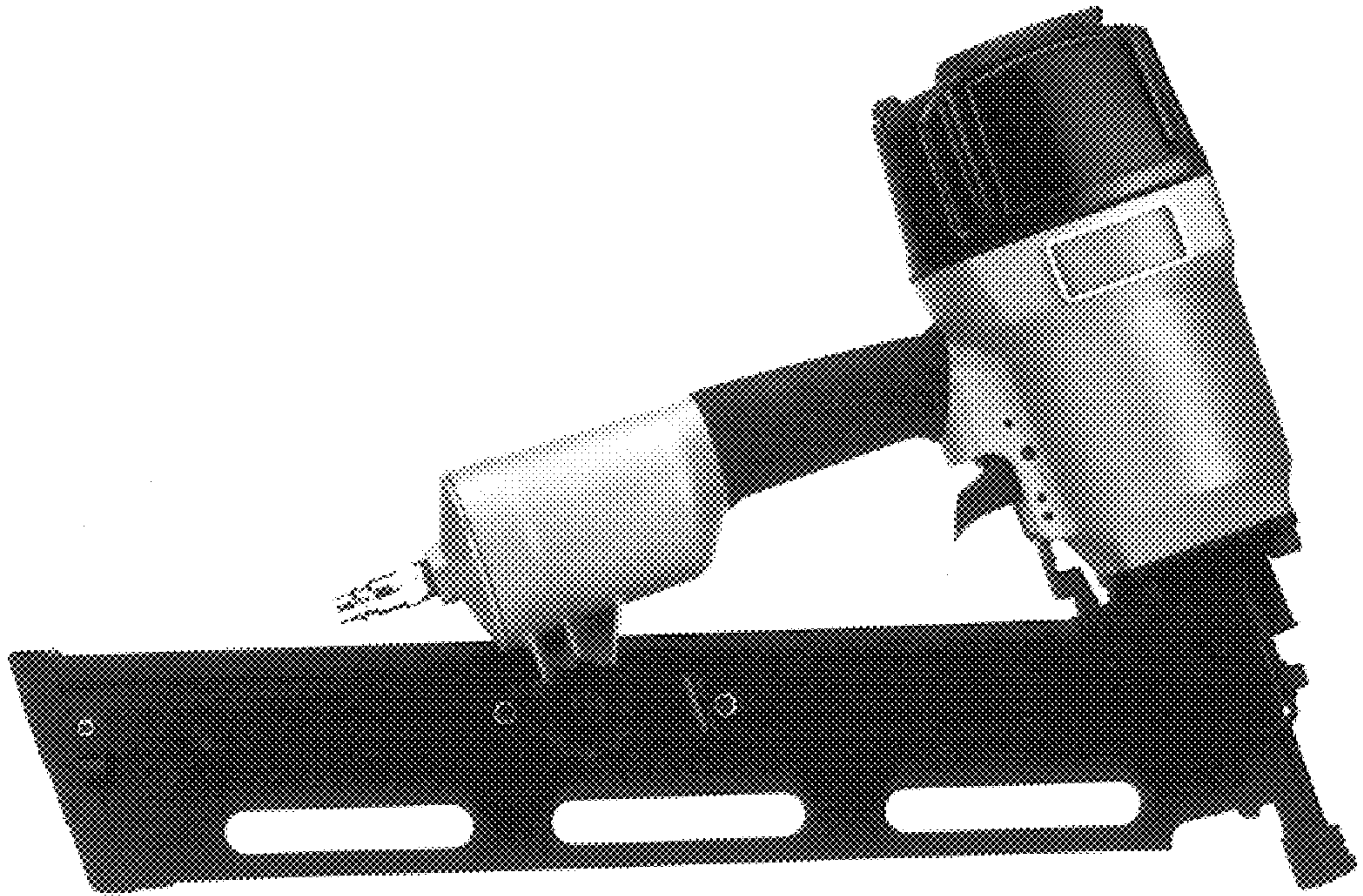


FIG. 6

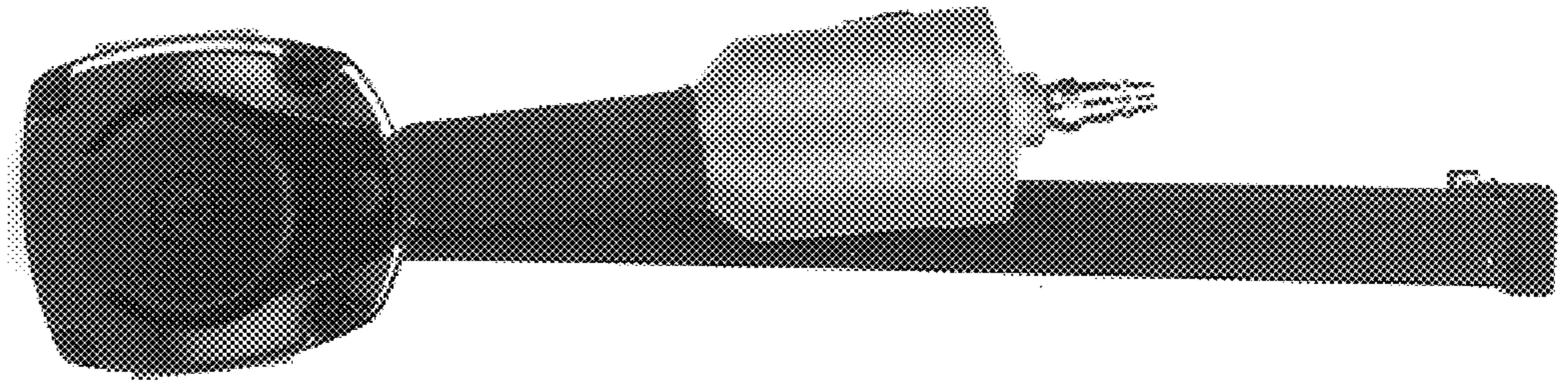


FIG. 7

