



US00D435202S

# United States Patent [19]

Ancona et al.

[11] Patent Number: **Des. 435,202**

[45] Date of Patent: **\*\* Dec. 19, 2000**

[54] **PEELER**

2,645,851 7/1953 Ferrin ..... 30/280  
2,986,813 6/1961 De Vault ..... 30/280

[75] Inventors: **Bruce E. Ancona; Joseph E. Gasparino**, both of New York, N.Y.

*Primary Examiner*—Terry A. Wallace  
*Attorney, Agent, or Firm*—Wolf, Greenfield & Sacks, P.C.

[73] Assignee: **World Kitchen, Inc.**, Elmira, N.Y.

[\*\*] Term: **14 Years**

### [57] CLAIM

The ornamental design for a peeler, as shown and described.

[21] Appl. No.: **29/117,080**

### DESCRIPTION

[22] Filed: **Jan. 14, 2000**

[51] **LOC (7) Cl.** ..... **07-04**

[52] **U.S. Cl.** ..... **D7/695**

[58] **Field of Search** ..... D7/693, 695; 30/123.5, 30/123.7, 113.3, 279.4, 279.6, 280

FIG. 1 is a side, top perspective view of the peeler showing our new design, the handle is shown in broken lines for illustrative purposes only and forms no part of the claimed design.

FIG. 2 is a top view thereof;

FIG. 3 is a bottom view thereof;

FIG. 4 is a left side view thereof;

FIG. 5 is a right side view thereof;

FIG. 6 is a front view thereof; and,

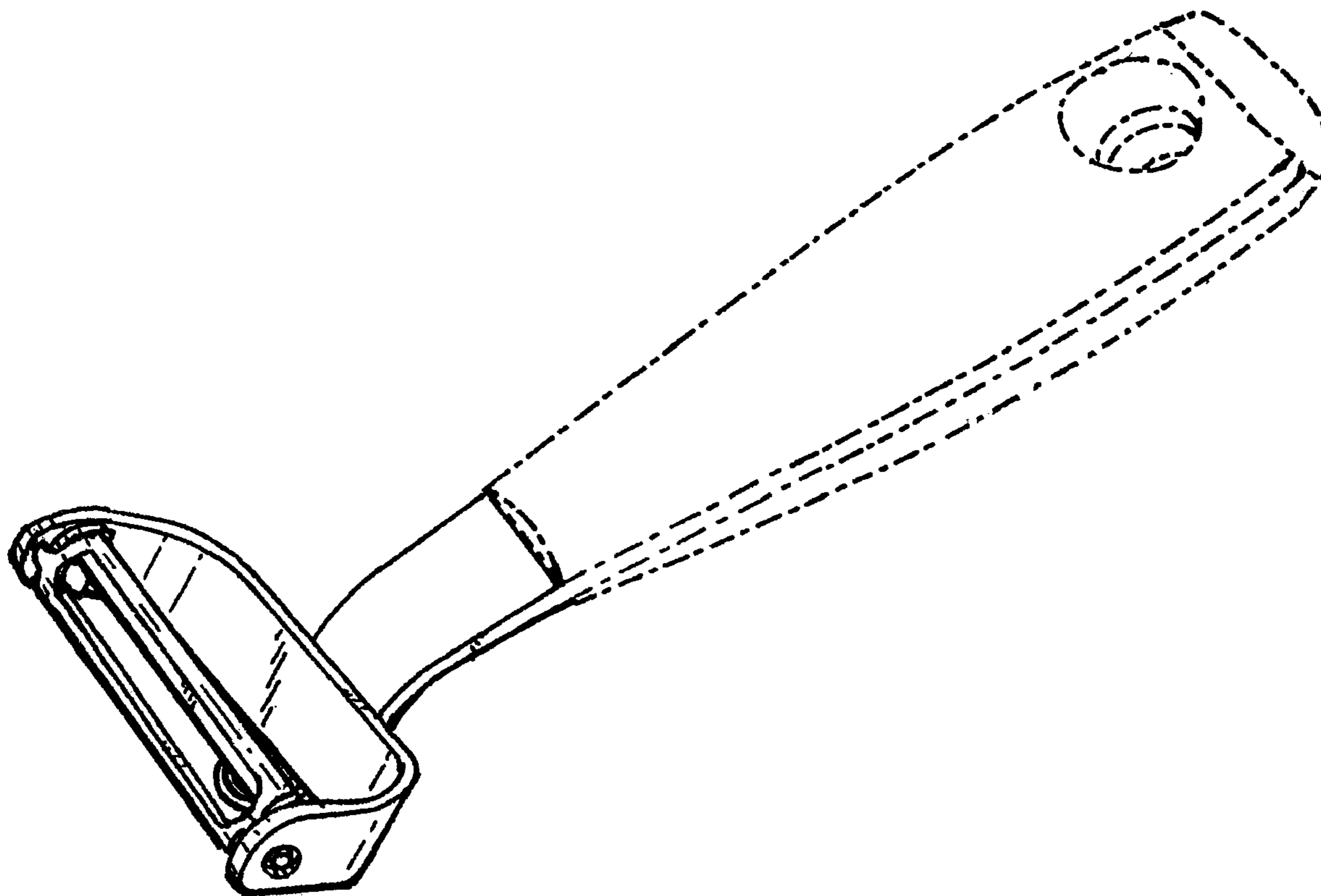
FIG. 7 is a rear view thereof.

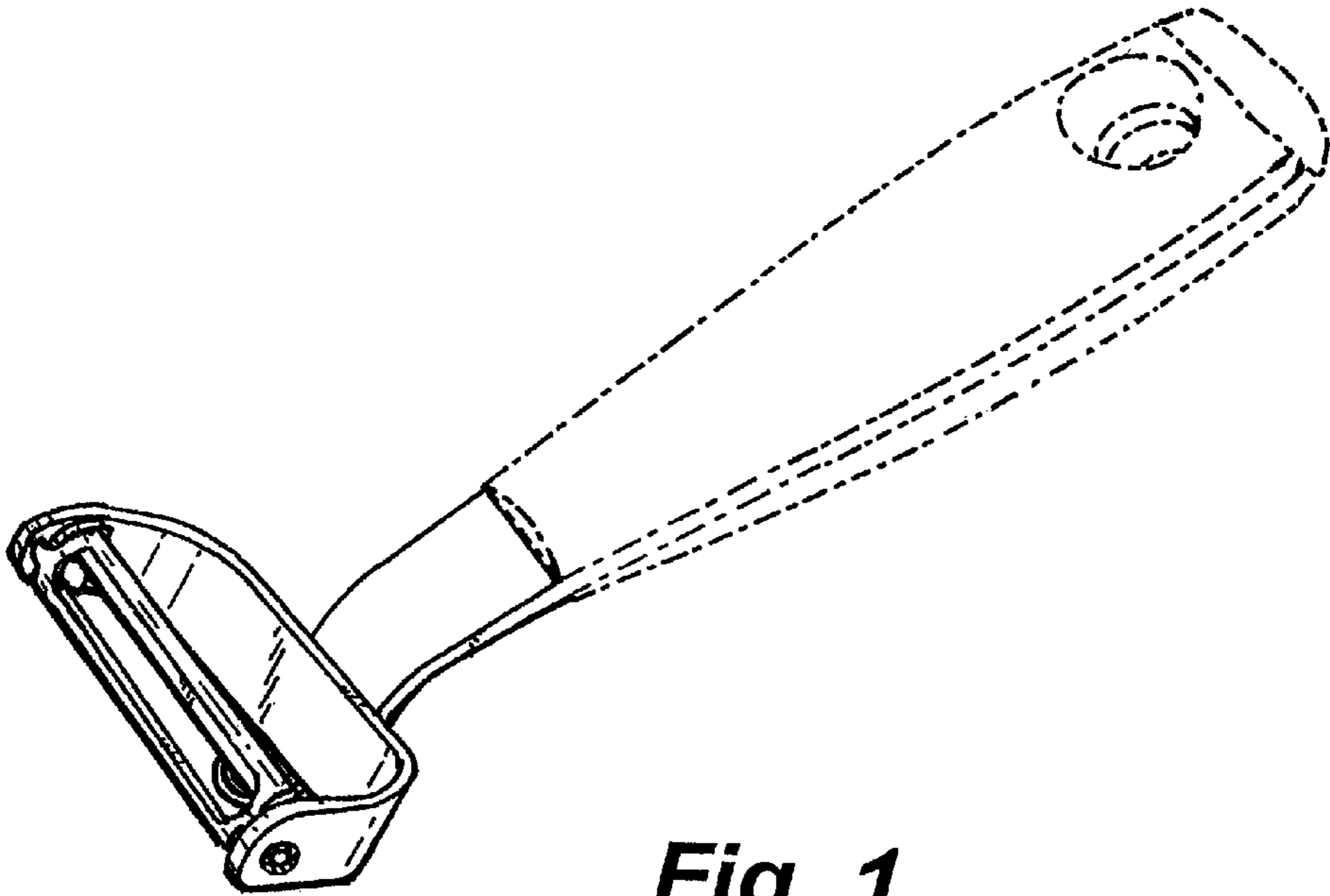
### [56] References Cited

#### U.S. PATENT DOCUMENTS

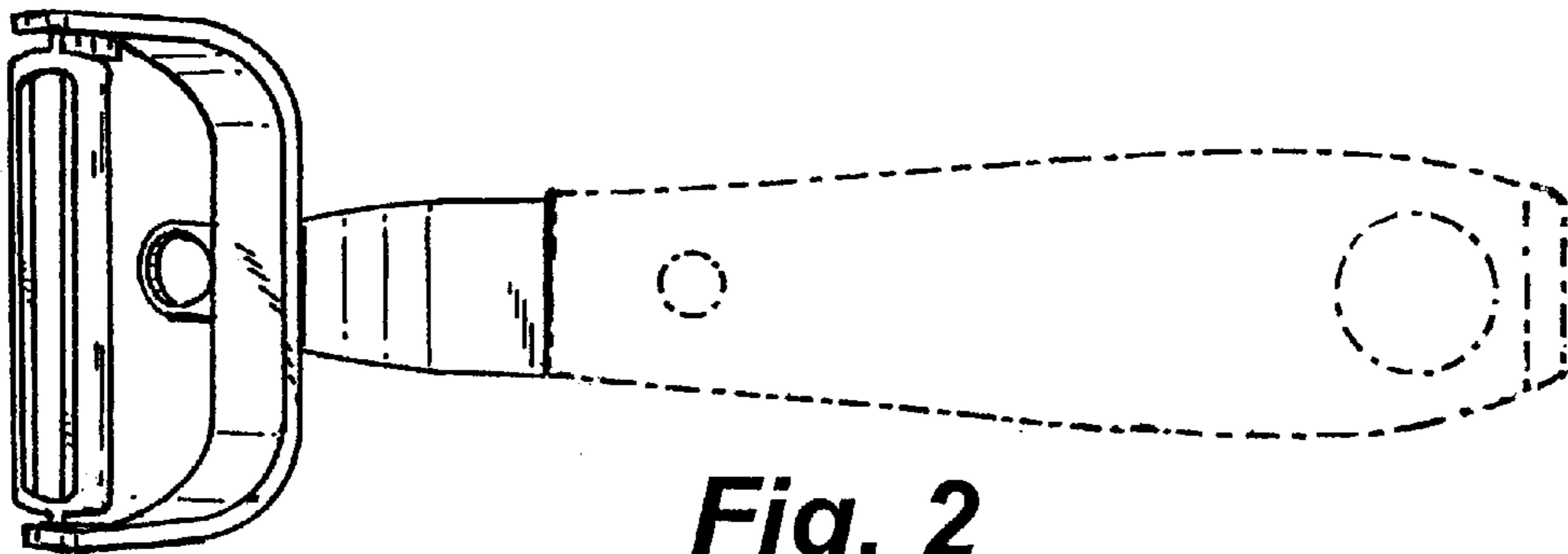
- D. 114,672 5/1939 Coughlin ..... D7/695
- D. 181,941 1/1958 Murphree ..... D7/695
- D. 420,867 2/2000 Lion et al. .... D7/695

**1 Claim, 2 Drawing Sheets**

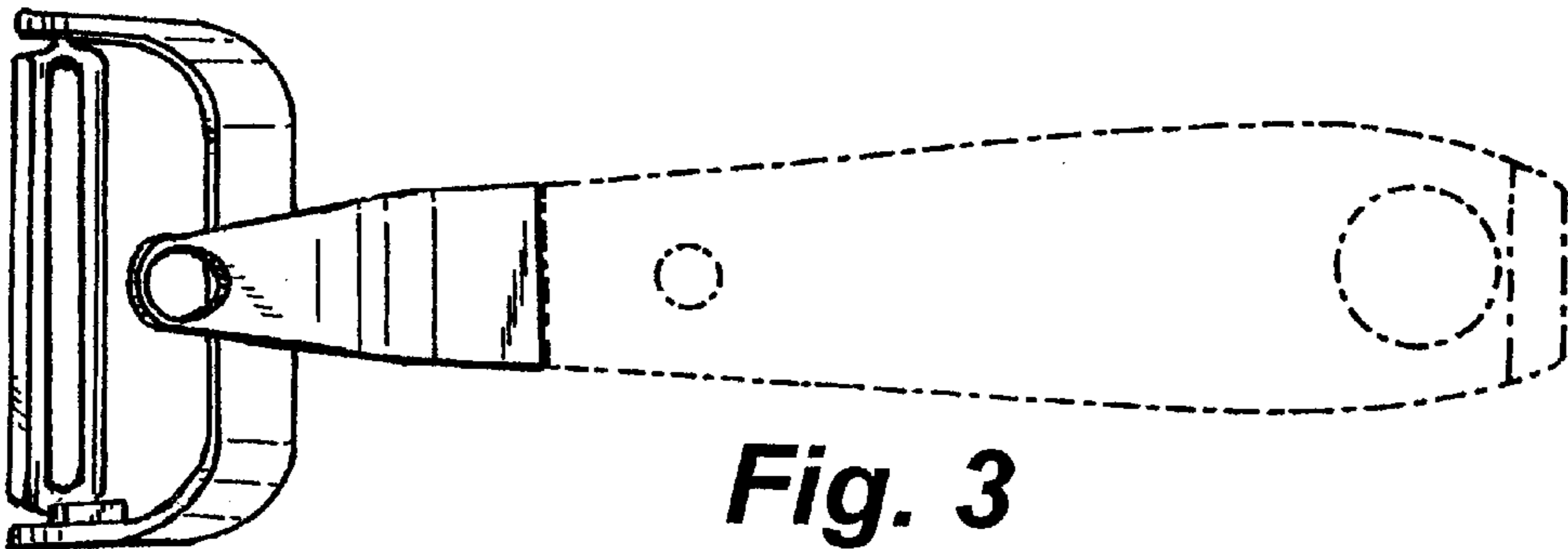




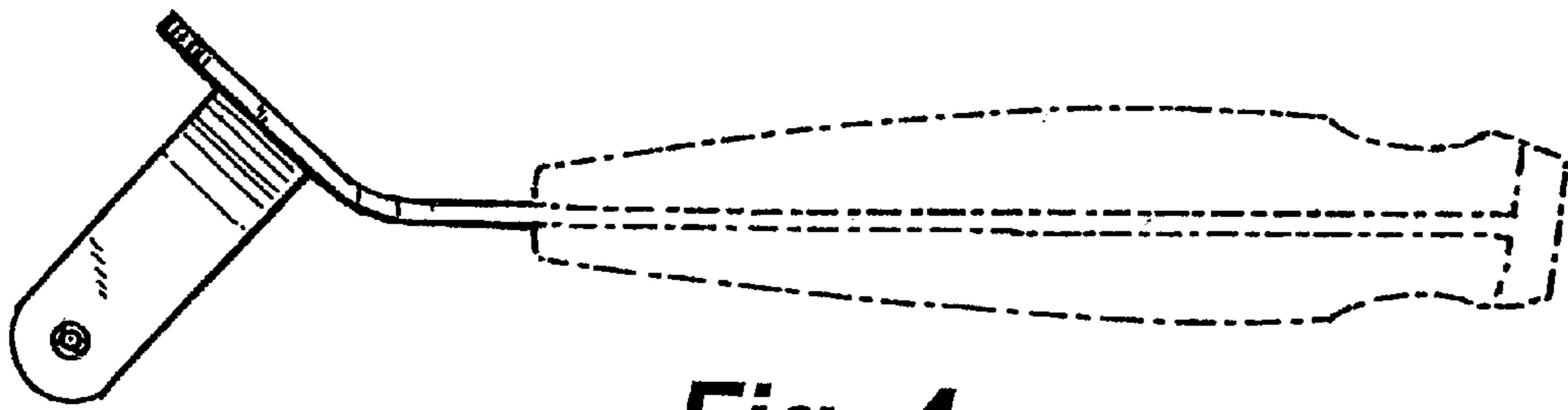
**Fig. 1**



**Fig. 2**



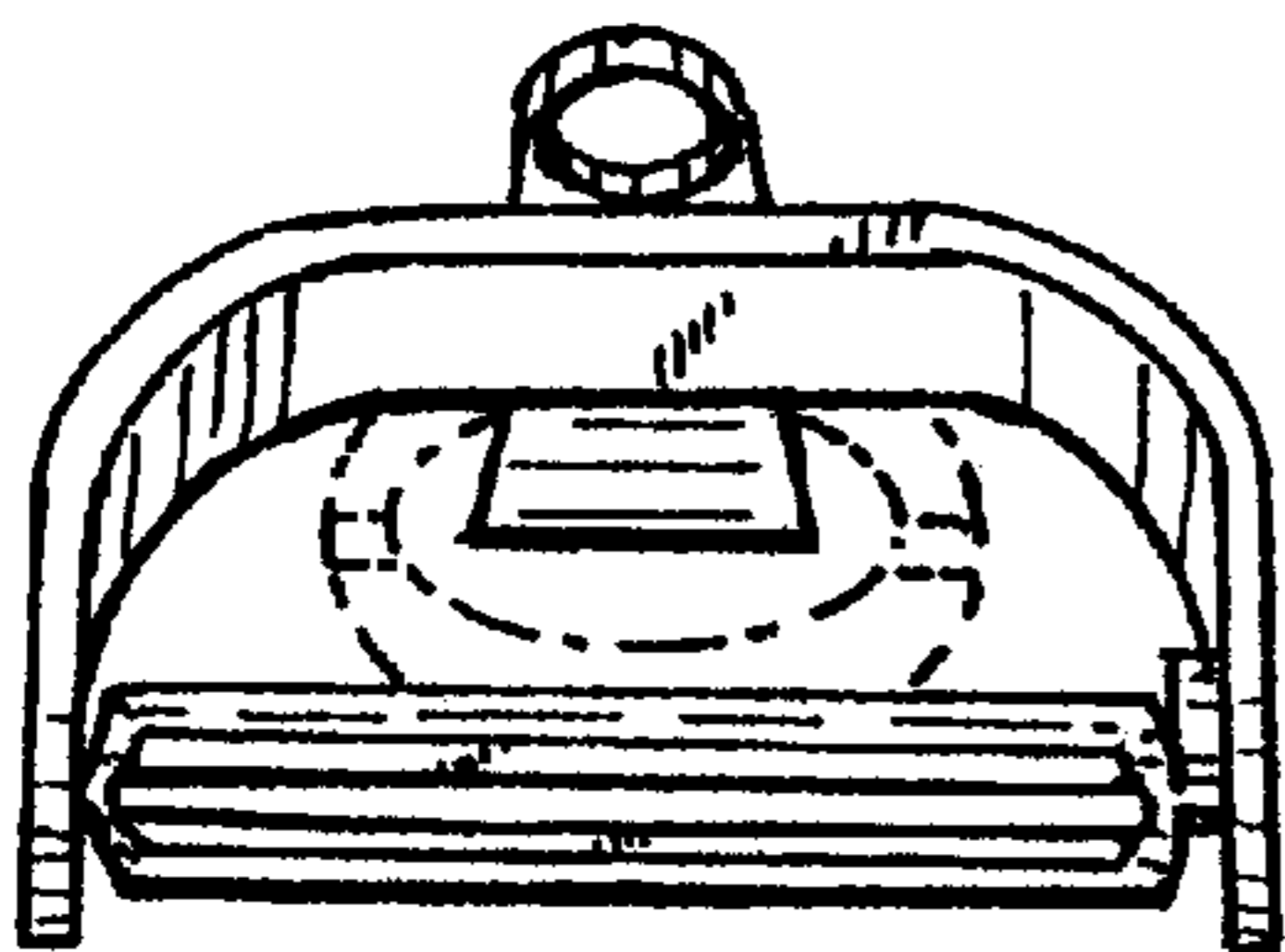
**Fig. 3**



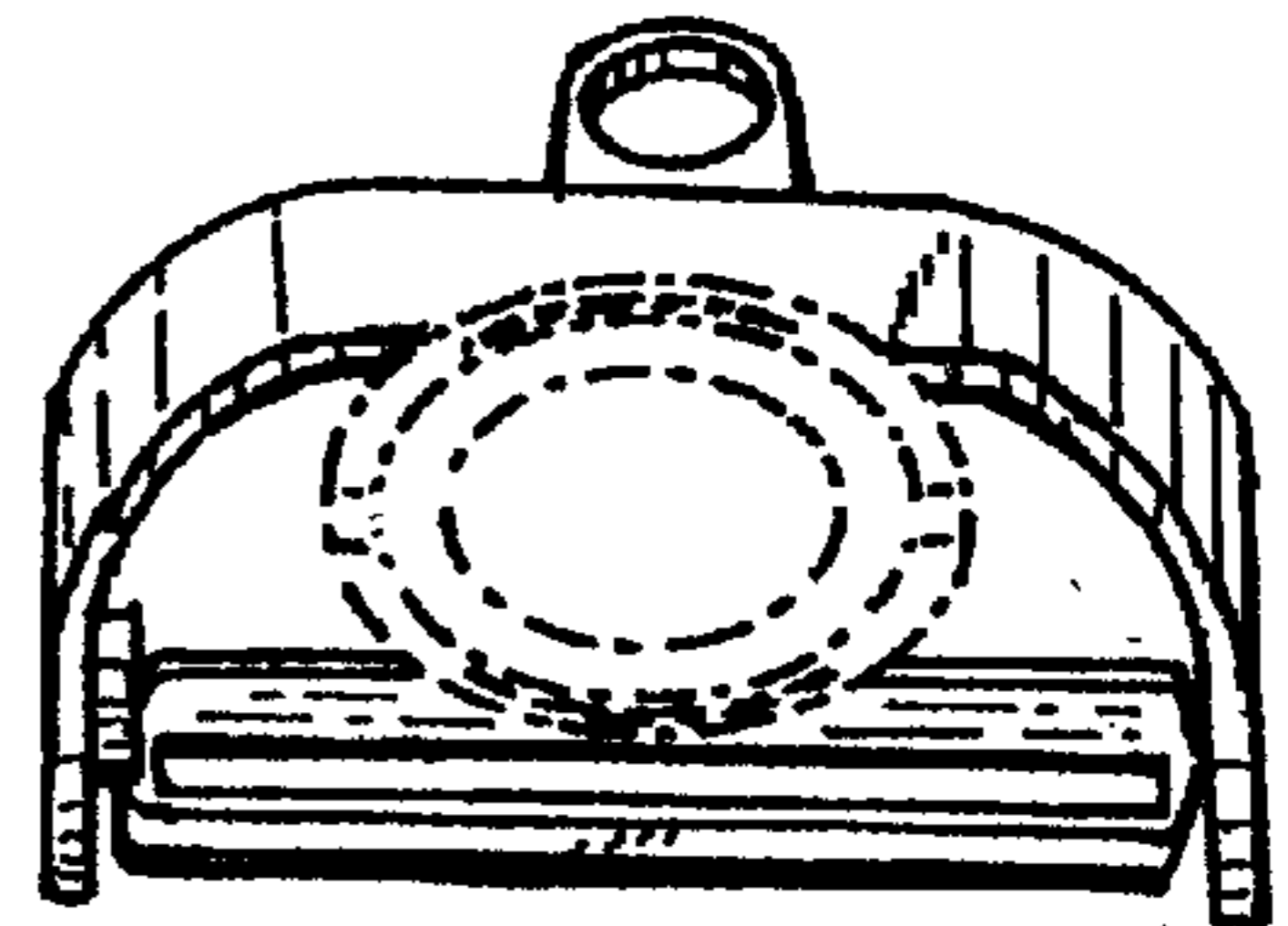
**Fig. 4**



**Fig. 5**



**Fig. 6**



**Fig. 7**