



US00D435200S

United States Patent [19]

Thompson

[11] Patent Number: Des. 435,200

[45] Date of Patent: ** Dec. 19, 2000

[54] SPOON

[75] Inventor: Stephen W. Thompson, Oneida, N.Y.

[73] Assignee: Oneida, Ltd., Oneida, N.Y.

[**] Term: 14 Years

[21] Appl. No.: 29/119,766

[22] Filed: Mar. 7, 2000

[51] LOC (7) Cl. 07-03

[52] U.S. Cl. D7/653

[58] Field of Search D7/642, 645, 653,
D7/662-664, 401.2; 30/322, 324

[56] References Cited

PUBLICATIONS

House Beautiful; p. 133; Fraser's Stainless, Pattern: Finesse, Feb. 1962.

Tableware International; p. 81; The 1972 Yearspoon by Georg Jensen, Jul. 1972.

Tableware International; p. 55; Pattern Mango by Danasco, Sep. 1974.

Macy's advertisement; p. 62 silver; Mar. 16, 1995; Pattern: Dansk by Oneida.

Primary Examiner—Caron D. Veynar

Attorney, Agent, or Firm—Wall Marjama & Bilinski

[57] CLAIM

The ornamental design for a spoon, as shown and described.

DESCRIPTION

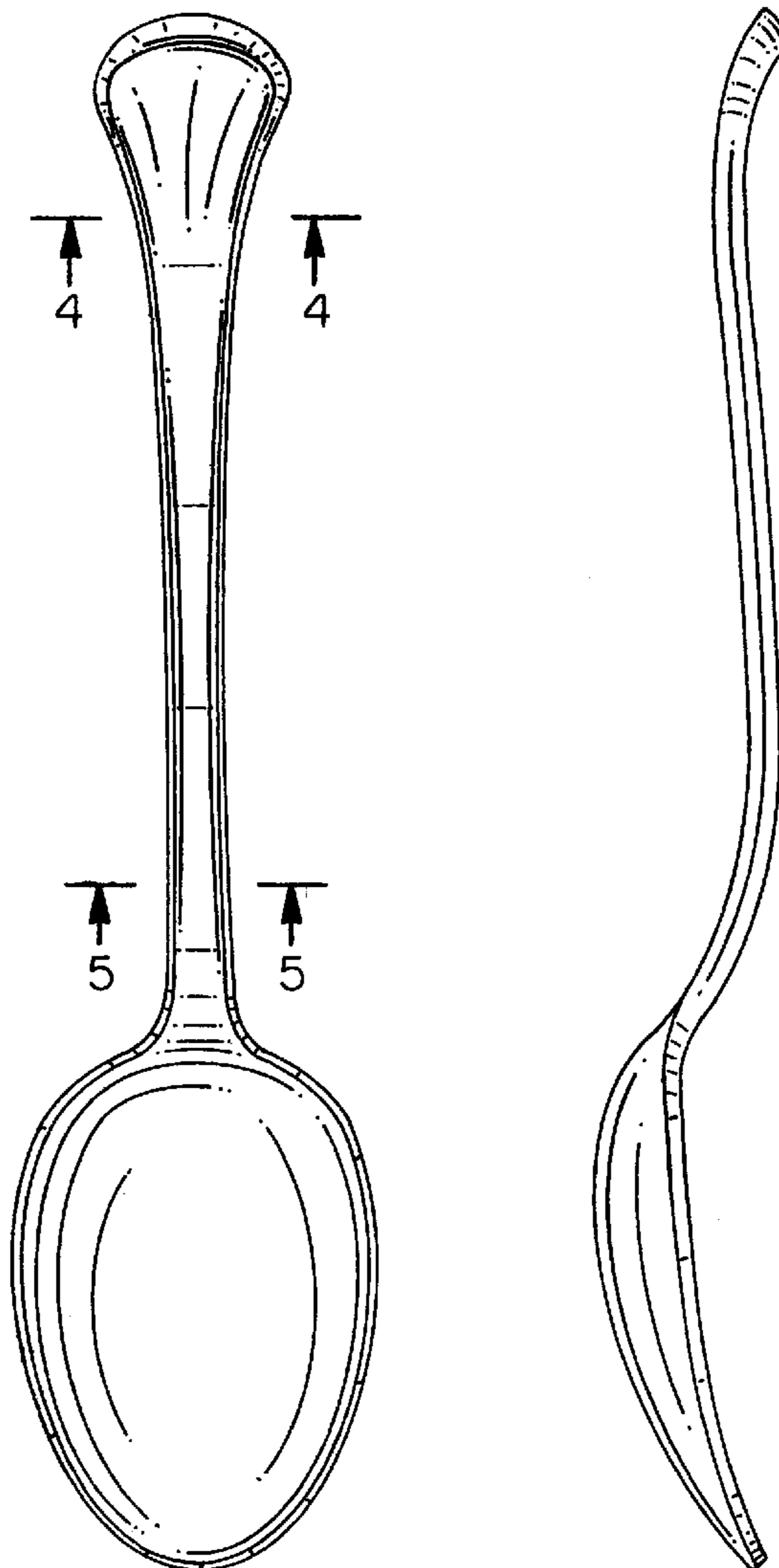
FIG. 1 is a top view of a spoon showing my new design; FIG. 2 is a right side elevational view thereof, the left side view being a mirror image thereof;

FIG. 3 is a bottom plan view thereof; and

FIG. 4 is a cross section view taken along line 4—4 of FIG. 1; and,

FIG. 5 is a cross section view taken along line 5—5 of FIG. 1.

1 Claim, 1 Drawing Sheet



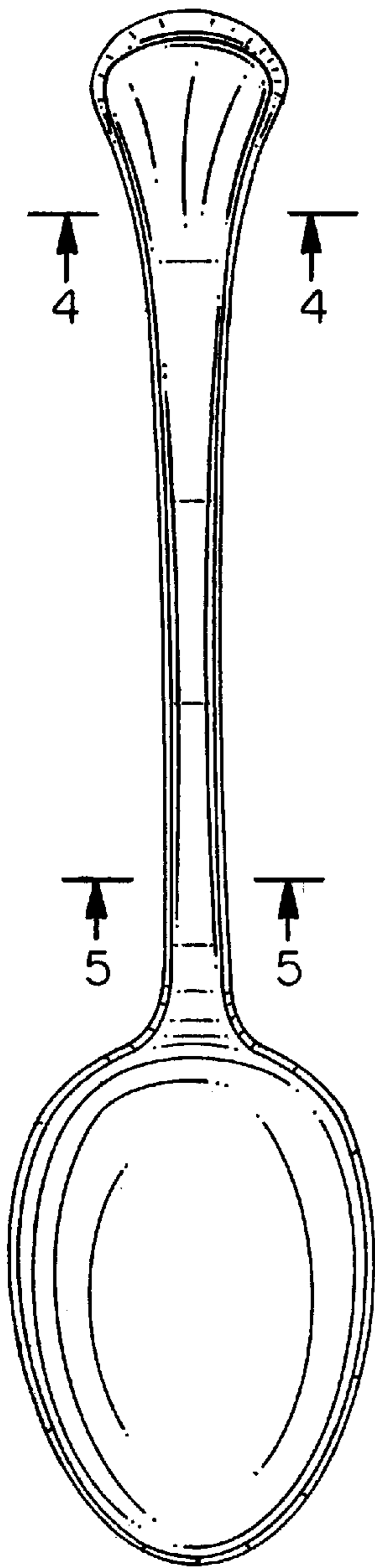


FIG. 1

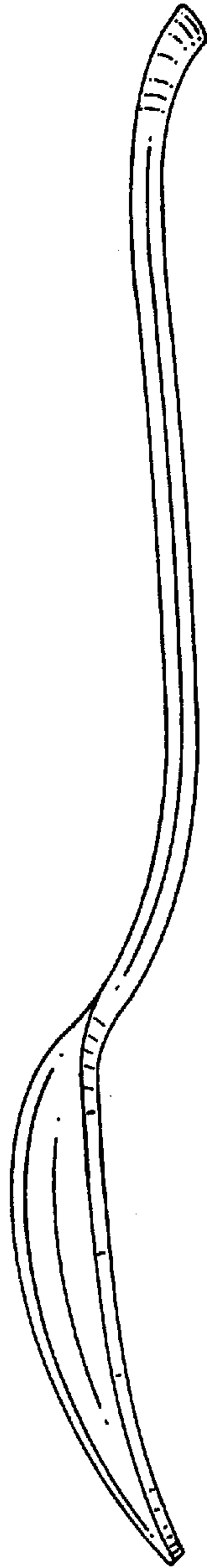


FIG. 2

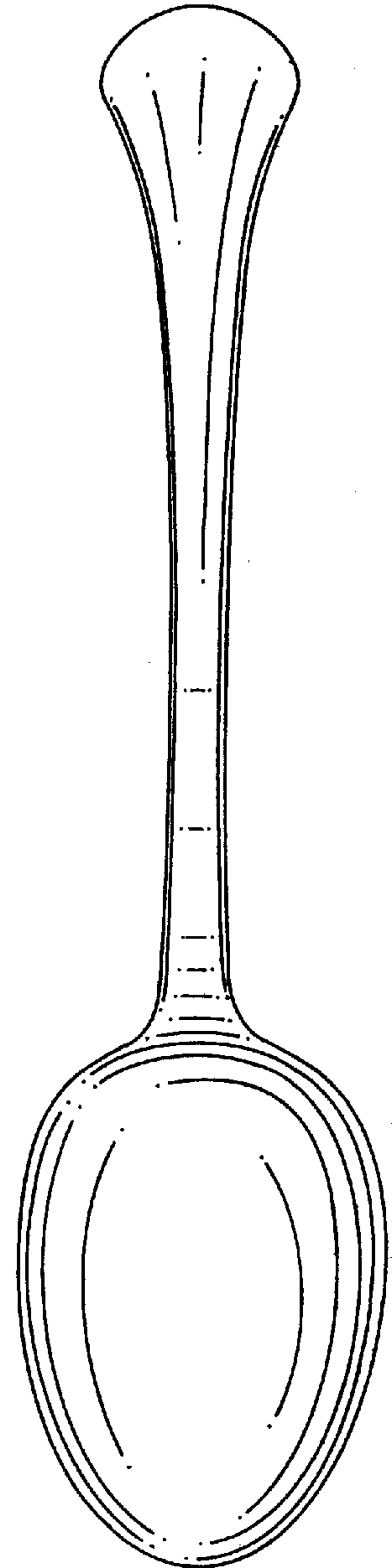


FIG. 3



FIG. 4



FIG. 5