



US00D435197S

United States Patent [19]
Wellner

[11] **Patent Number: Des. 435,197**
[45] **Date of Patent: ** Dec. 19, 2000**

[54] **BOWL**
[75] Inventor: **Lucie L. Wellner**, Pompey, N.Y.
[73] Assignee: **Libbey Glass Inc.**, Toledo, Ohio
[**] Term: **14 Years**
[21] Appl. No.: **29/104,312**
[22] Filed: **May 3, 1999**
[51] **LOC (7) Cl.** **07-01**
[52] **U.S. Cl.** **D7/558**
[58] **Field of Search** D7/550.1, 552.2,
D7/554.2, 558, 566, 585, 586, 587, 602,
396.1, 396.2, 397, 401; 220/485, 496, 657

D. 356,926 4/1995 Wonder D7/550.1
D. 420,856 2/2000 Yeo et al. D7/550.1
D. 423,291 4/2000 Reimer D7/550.1
3,099,377 7/1963 Metzler et al. 220/485

Primary Examiner—Antoine Duval Davis
Attorney, Agent, or Firm—Emch, Schaffer, Schaub & Porcello, Co., L.P.A.

[57] **CLAIM**

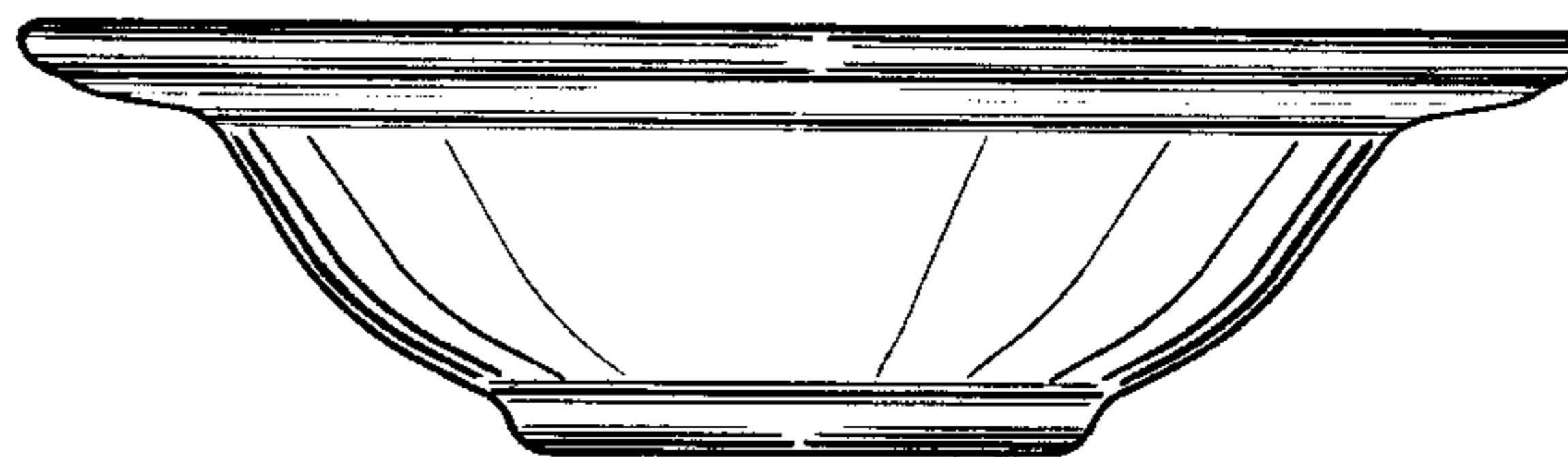
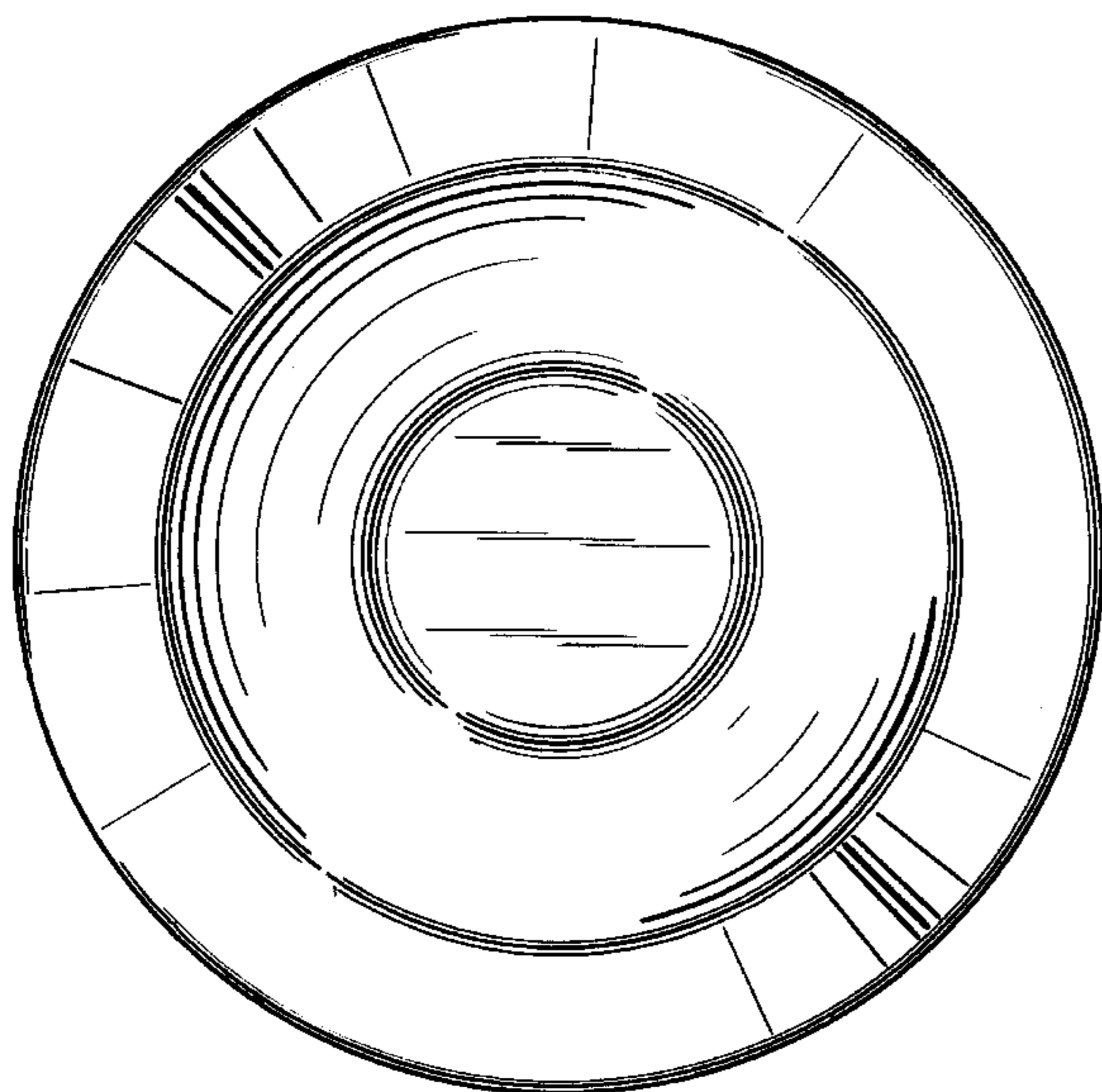
The ornamental design for a bowl, as shown and described.

DESCRIPTION

FIG. 1 is a top view of a bowl according to the present design;
FIG. 2 is a side elevational view thereof; the other side elevational views being the same; and,
FIG. 3 is a bottom view thereof.

[56] **References Cited**
U.S. PATENT DOCUMENTS
D. 312,752 12/1990 Unger D7/550.1

1 Claim, 2 Drawing Sheets



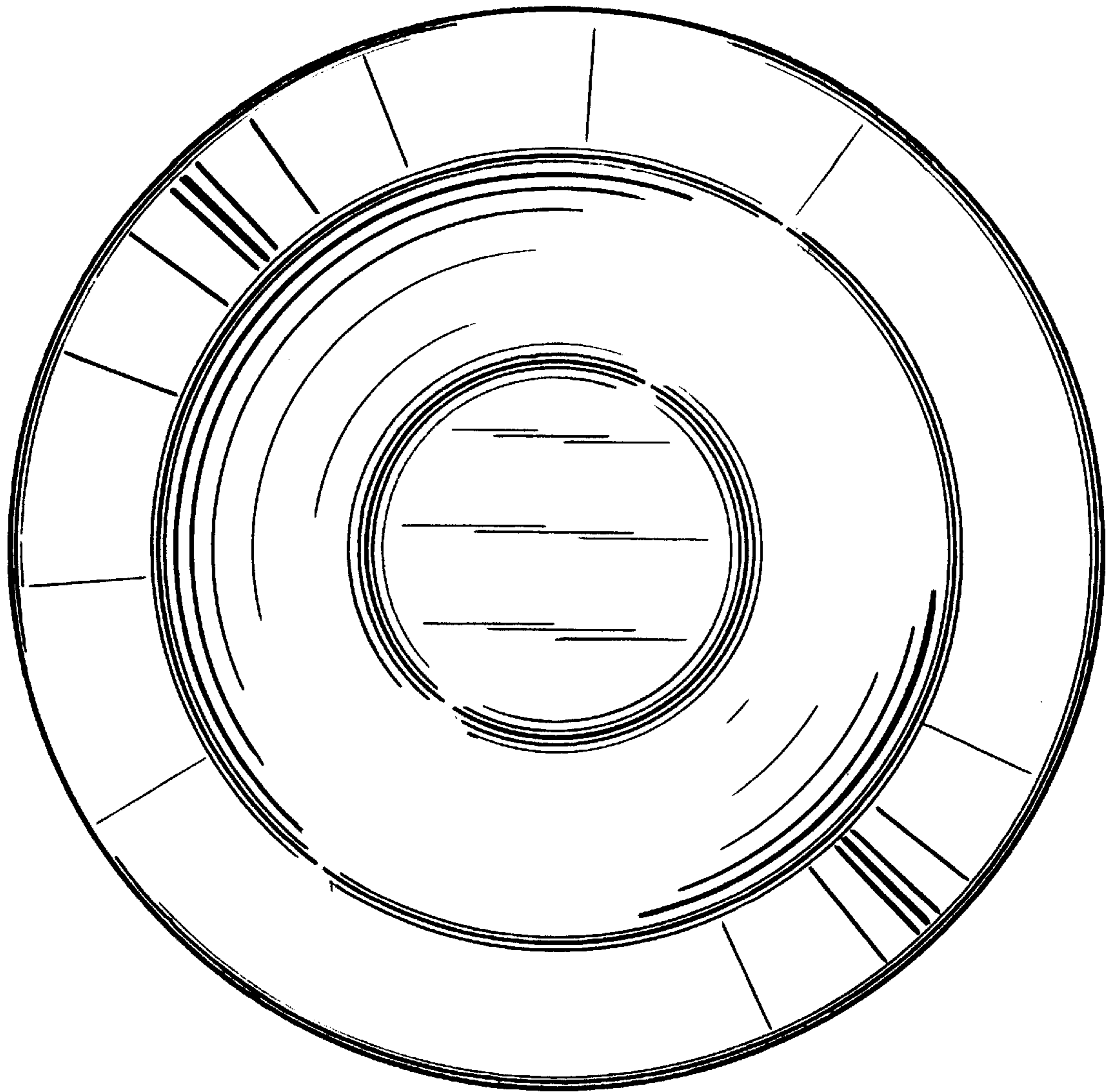


FIG. 1

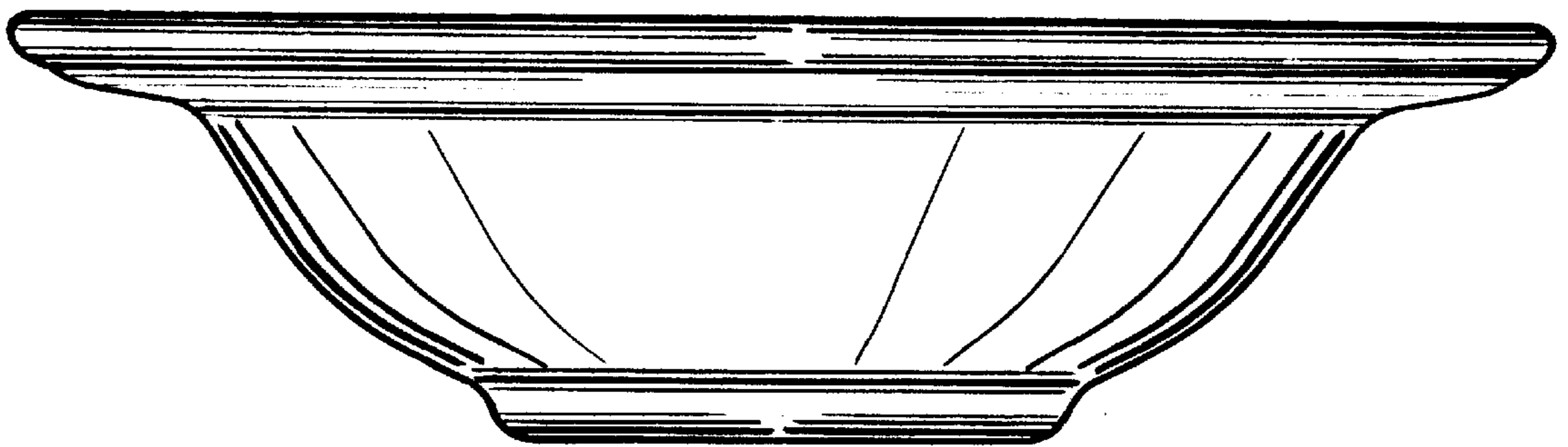


FIG. 2

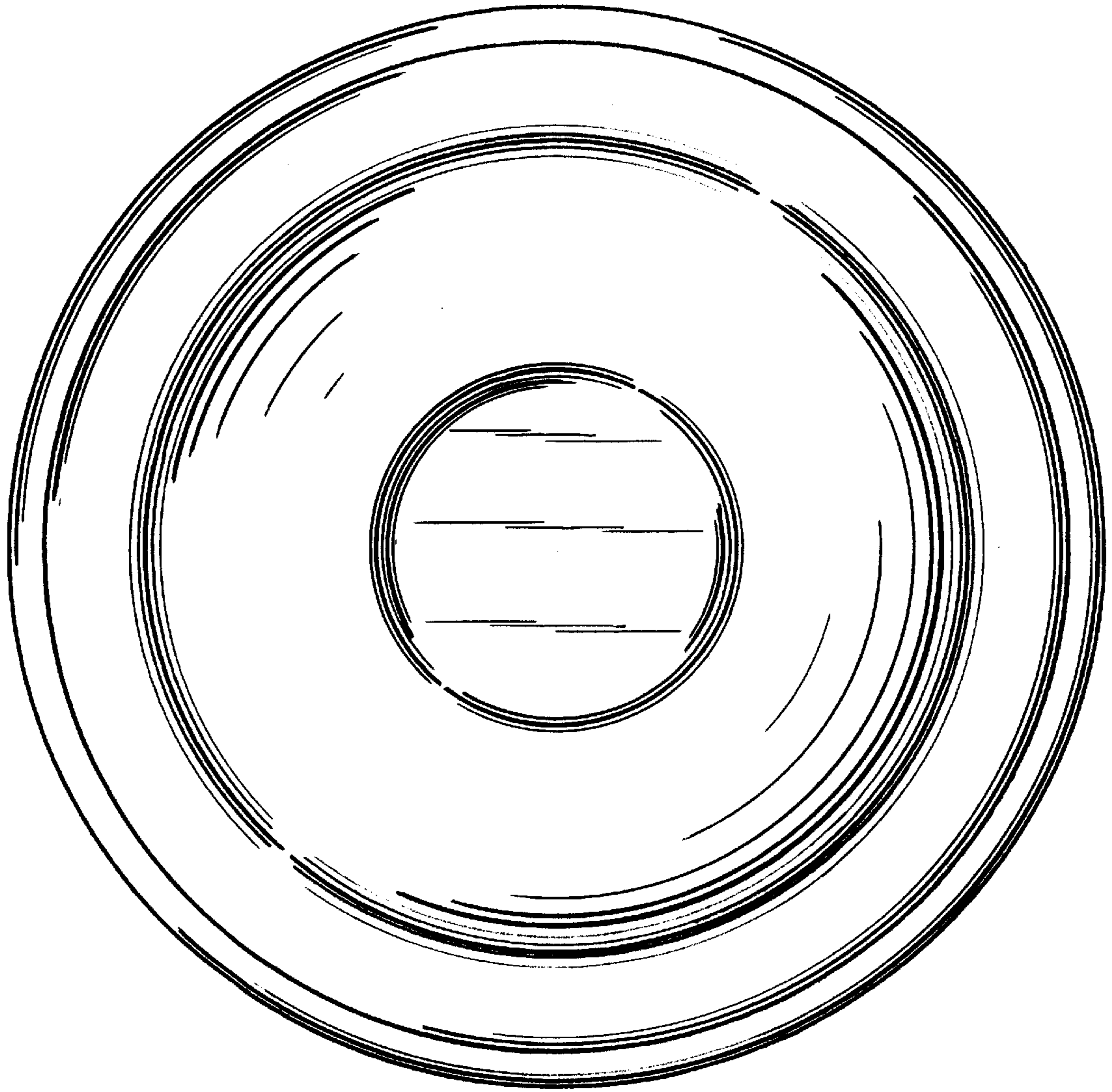


FIG. 3