



US00D435196S

# United States Patent [19]

Gregor et al.

[11] Patent Number: Des. 435,196

[45] Date of Patent: \*\* Dec. 19, 2000

[54] STORAGE TRAY

[75] Inventors: **Jeff G. Gregor**, Lititz; **Christine E. Julien**, Reading, both of Pa.

[73] Assignee: **Graco Children's Products Inc.**, Elverson, Pa.

[\*\*] Term: **14 Years**

[21] Appl. No.: **29/099,900**

[22] Filed: **Jan. 29, 1999**

[51] LOC (7) Cl. .... **07-01**

[52] U.S. Cl. .... **D7/552.1; D7/553.5; D12/420**

[58] Field of Search ..... D3/313, 315; D12/419, D12/420, 415, 416, 417, 418; D7/553.1, 552.1, 620, 532.1, 553.3, 553.4, 553.5, 555, 549, 701; D6/406.3, 406.1, 336; 296/37.1; 248/311.2; 270/737, 524, 556; 215/394, 395; 224/536-539

[56] **References Cited**

**U.S. PATENT DOCUMENTS**

D. 257,113	9/1980	McCaffrey	.....	D7/701
D. 305,011	12/1989	Pipon	.....	D12/129
D. 305,522	1/1990	Kohus et al.	.....	D12/133
D. 318,176	7/1991	Forrestal	.....	D12/420

D. 322,356	12/1991	Harshaw et al.	.....	D3/313
D. 351,738	10/1994	LaCombe	.....	D6/336
D. 353,082	12/1994	Keven	.....	D7/701
D. 363,643	10/1995	Eisenberg	.....	D7/552.1
D. 388,050	12/1997	Diem	.....	D12/419
D. 394,831	6/1998	Polak et al.	.....	D12/129
D. 413,563	9/1999	Gravenstreter	.....	D12/419
4,856,809	8/1989	Kohus et al.	.....	280/644
5,174,534	12/1992	Mitchell	.....	248/311.2
5,855,384	1/1999	Pike et al.	.....	270/47.38
5,857,601	1/1999	Greenwood	.....	224/409

*Primary Examiner*—M. N. Pandozzi  
*Attorney, Agent, or Firm*—Foley & Lardner

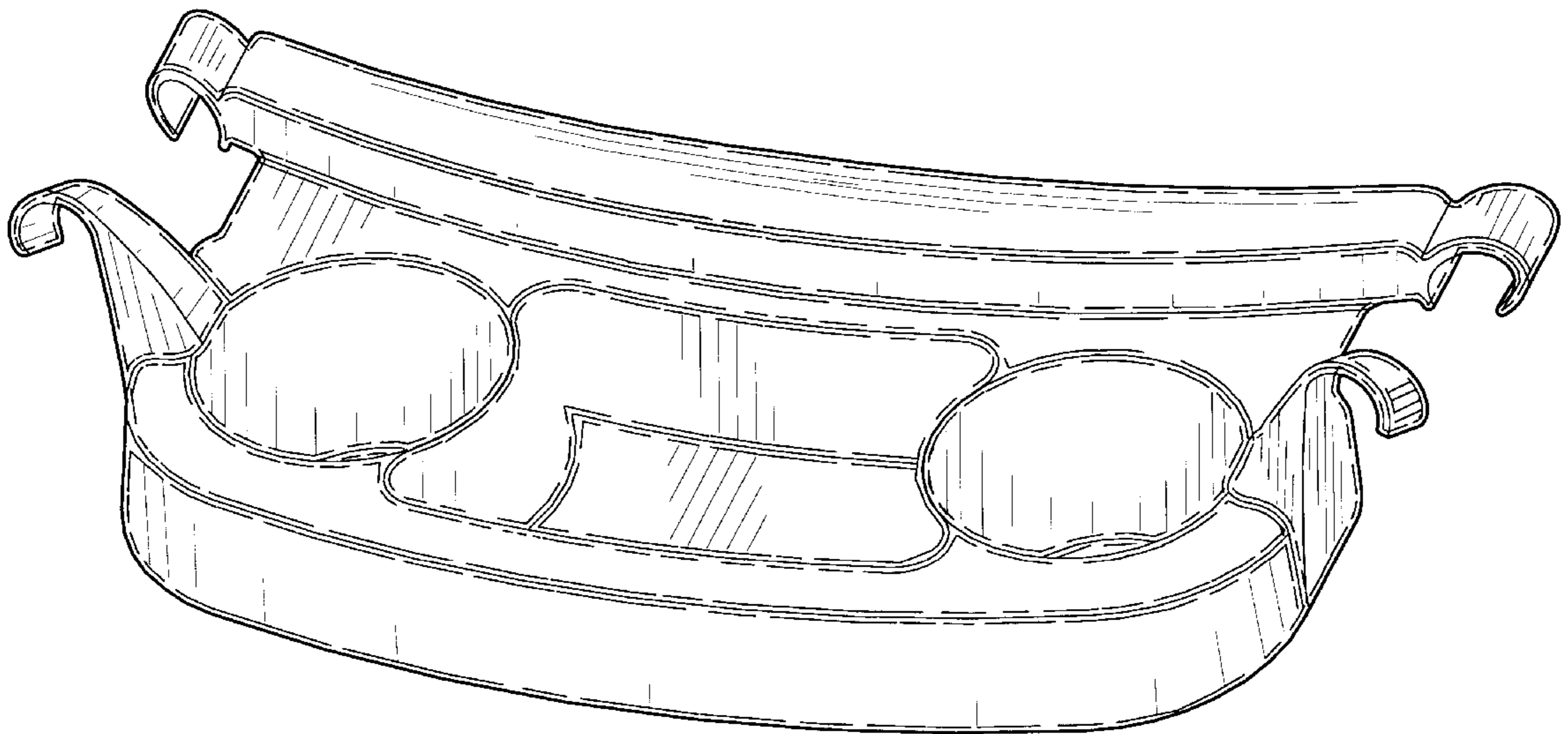
[57] **CLAIM**

The ornamental design for a storage tray, as shown and described.

**DESCRIPTION**

FIG. 1 is a top right front perspective view of a storage tray showing my new design;  
FIG. 2 is a front elevational view thereof;  
FIG. 3 is a top plan view thereof;  
FIG. 4 is a left side elevational view thereof; the right side elevational view being a mirror image;  
FIG. 5 is a bottom plan view thereof; and,  
FIG. 6 is a rear elevational view thereof.

**1 Claim, 6 Drawing Sheets**



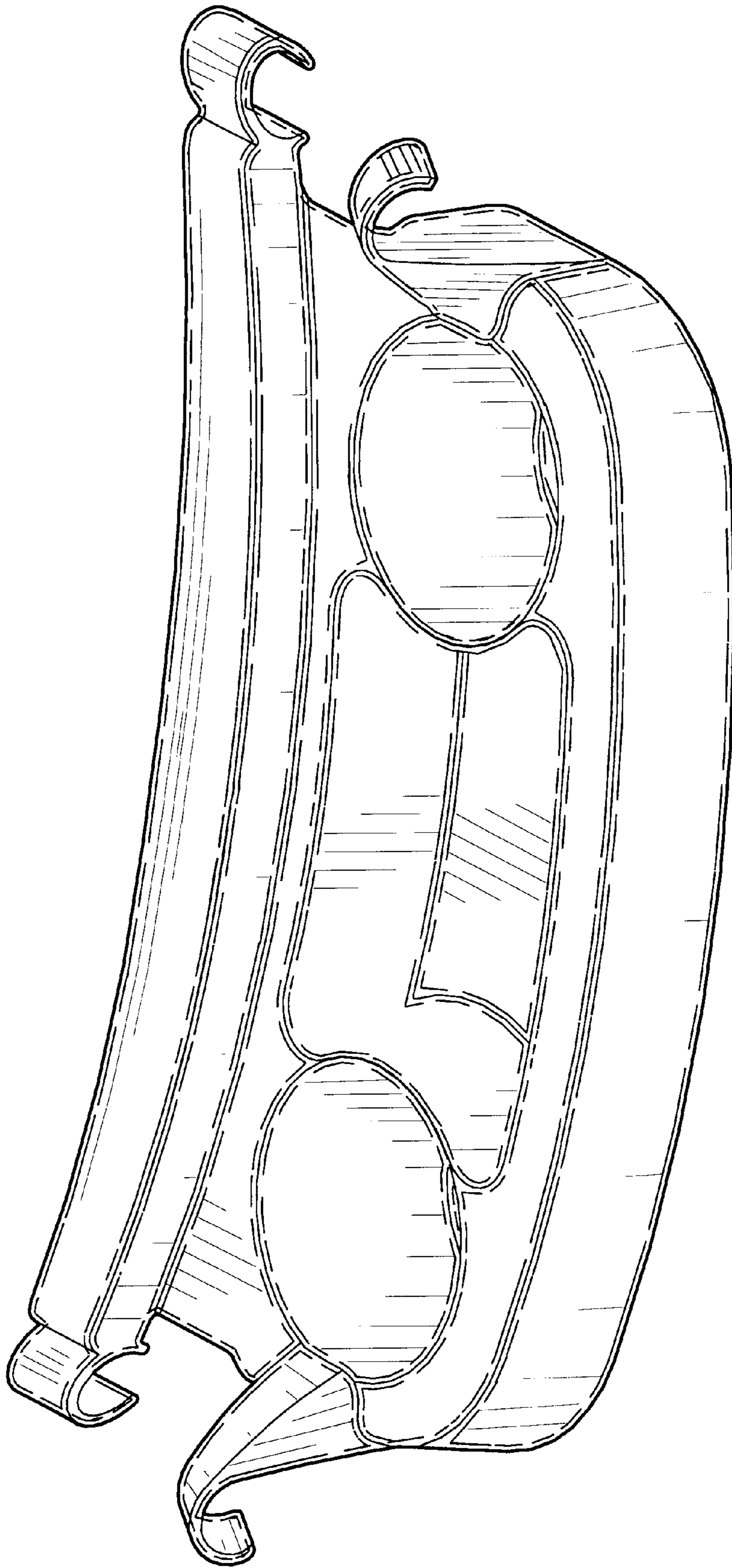


FIG. 1

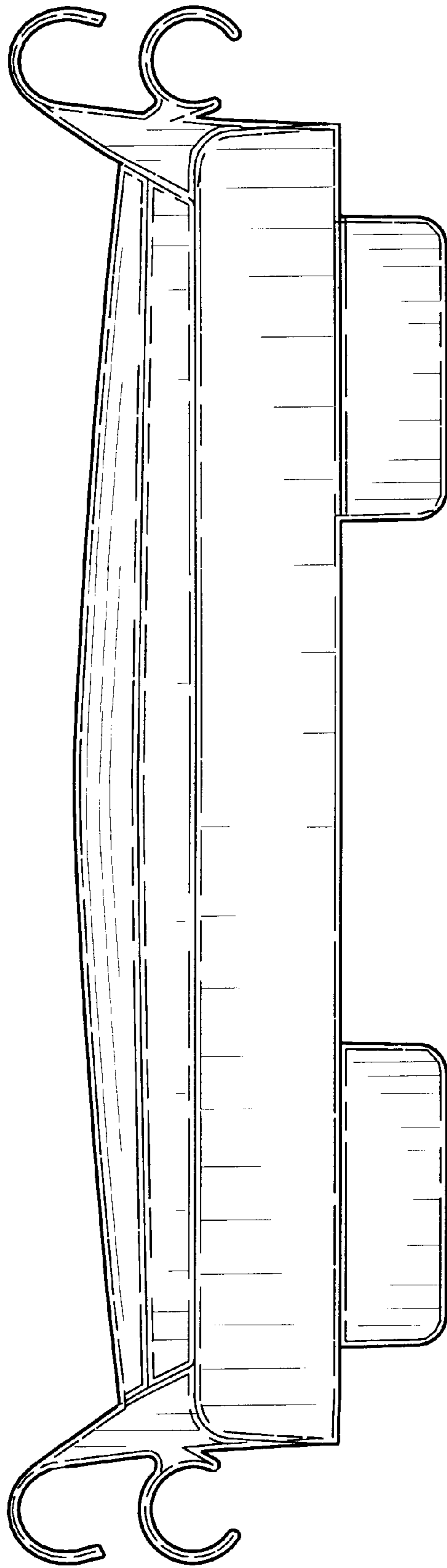


FIG. 2

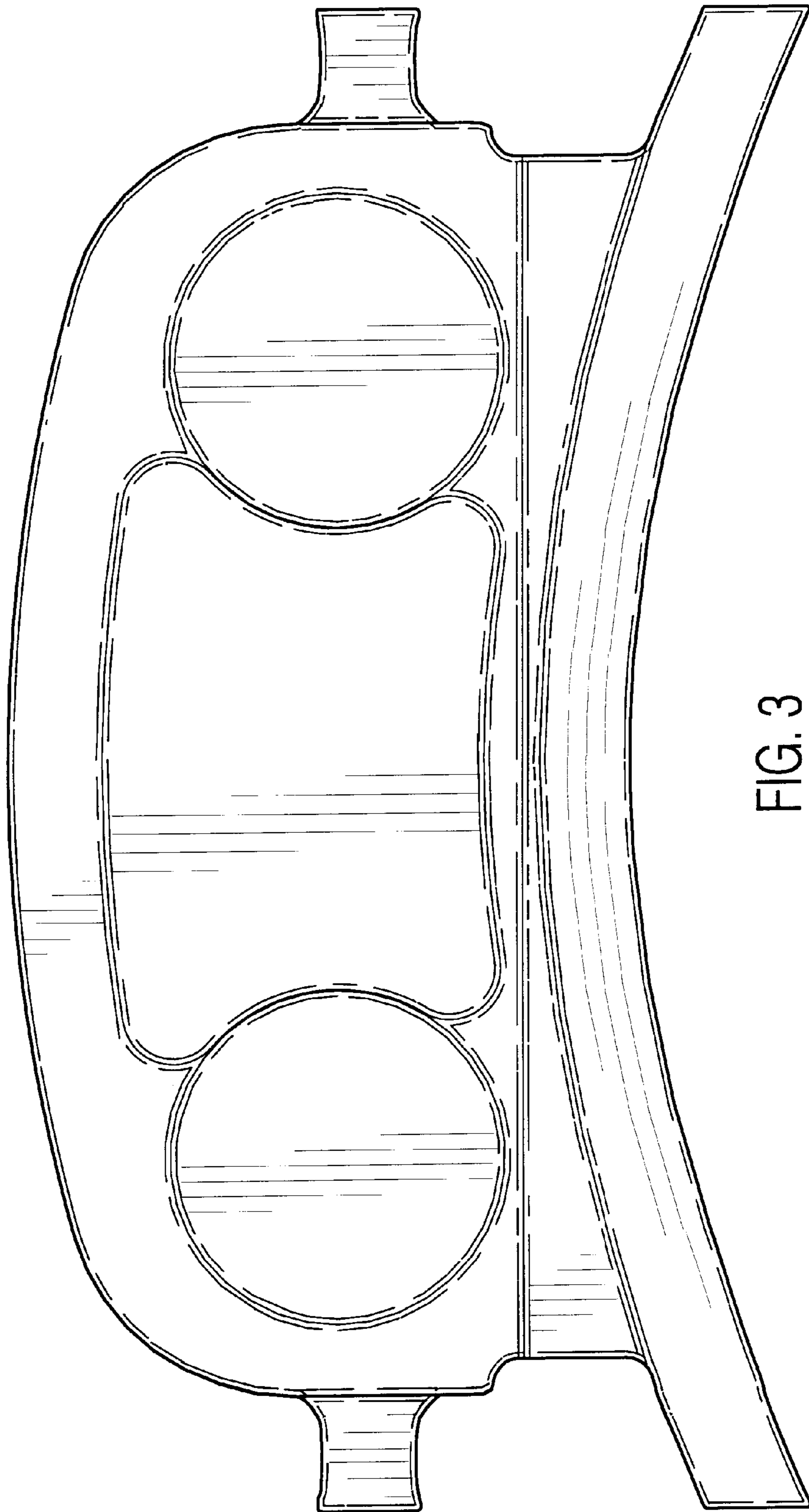


FIG. 3

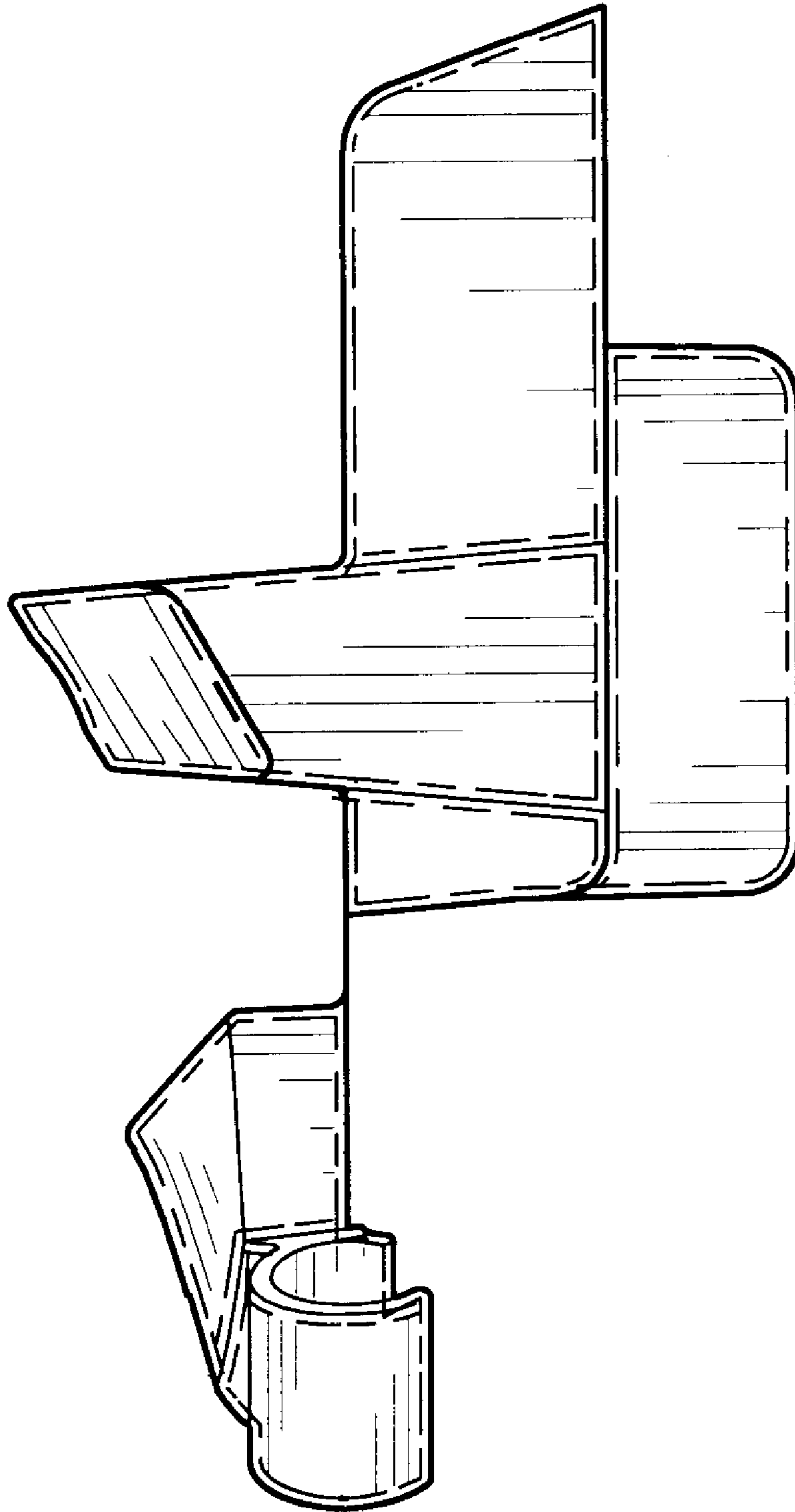


FIG. 4

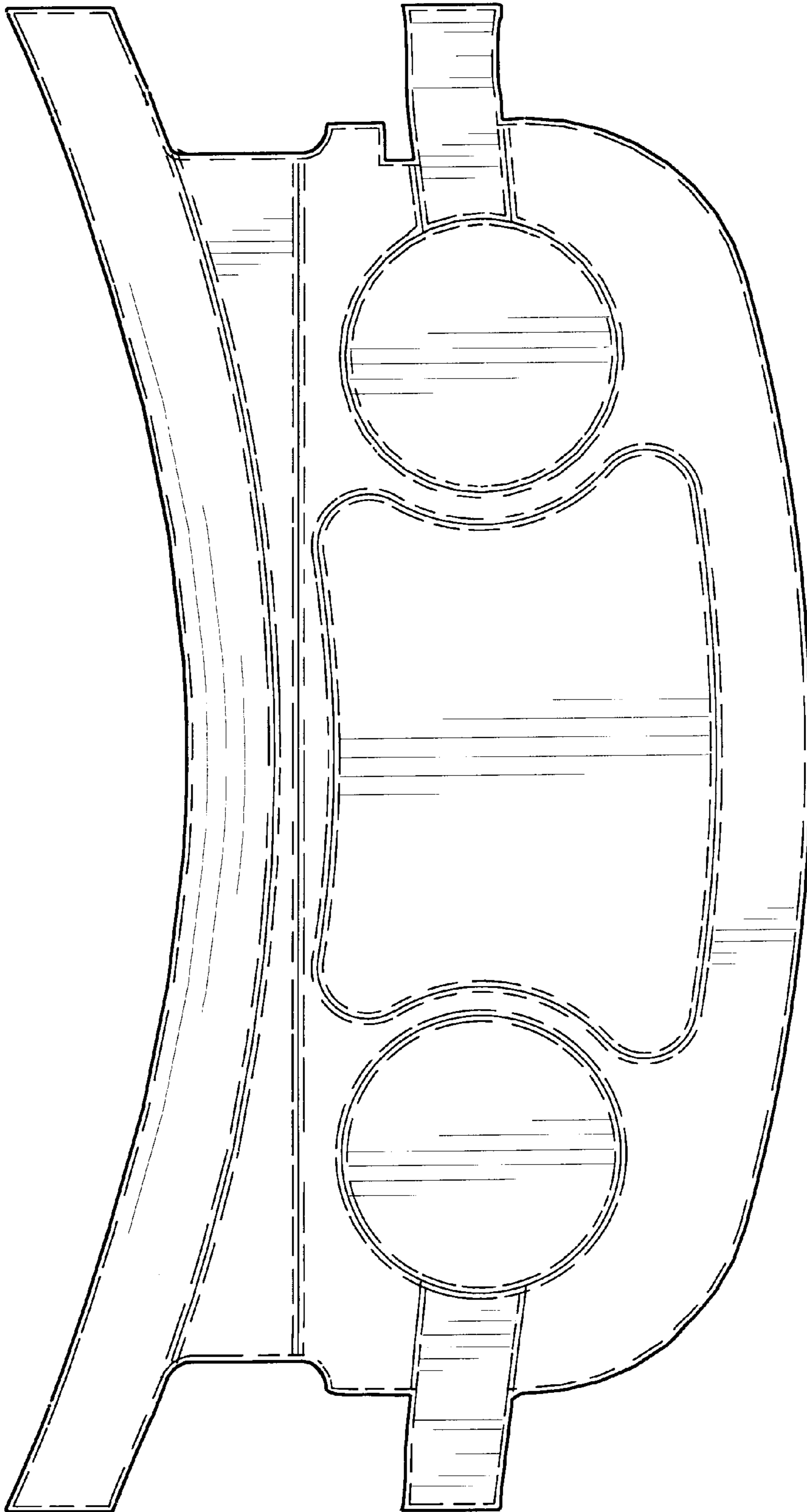


FIG. 5

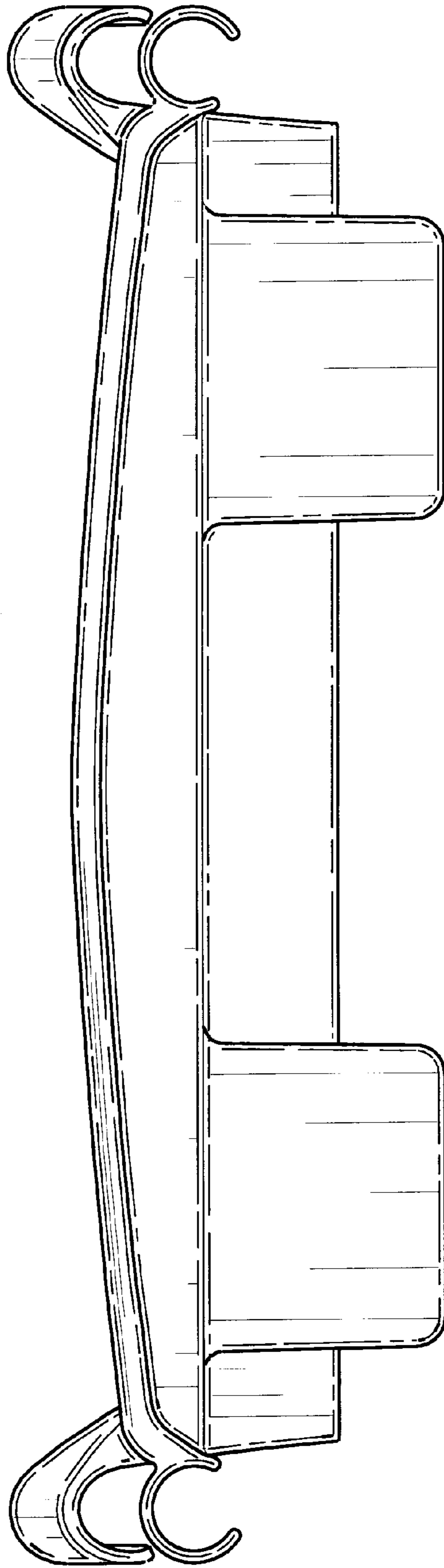


FIG. 6