



US00D435192S

# United States Patent [19]

Bohannon, Jr. et al.

[11] Patent Number: Des. 435,192

[45] Date of Patent: \*\* Dec. 19, 2000

## [54] BLENDER JAR AND LID

[75] Inventors: **John R. Bohannon, Jr.**, Richmond, Va.; **Brian D. Klecker**, Charleston, S.C.; **Troy V. Robinson**, Richmond; **Brian W. Williamson**, Midlothian, both of Va.; **Phillip L. Brookshire**; **David K. Memke**, both of Cincinnati, Ohio

[73] Assignee: **Hamilton Beach/Proctor-Silex, Inc.**, Glen Allen, Va.

[\*\*] Term: **14 Years**

[21] Appl. No.: **29/106,138**

[22] Filed: **Jun. 9, 1999**

[51] LOC (7) Cl. .... **31-00**

[52] U.S. Cl. .... **D7/413**

[58] Field of Search ..... D7/376-386, 413; 241/98, 167, 199.12, 282.1, 282.2; 366/197, 204

## [56] References Cited

### U.S. PATENT DOCUMENTS

D. 37,098	8/1904	Haviland	.....	D7/319
D. 37,100	8/1904	Haviland	.....	D7/319
D. 115,517	7/1939	Hook	.....	D7/378
D. 153,232	3/1949	Newell	.....	D7/413
D. 169,373	4/1953	Iannelli	.....	D7/413
D. 178,593	8/1956	Cervený et al.	.....	D7/413
D. 198,303	5/1964	Dewenter	.....	D7/413
D. 234,741	4/1975	Emmons	.....	D7/413
D. 350,451	9/1994	Dickson	.....	D7/384
2,109,501	3/1938	Osius	.....	241/282.2
2,897,862	8/1959	Malz et al.	.....	241/199.12
3,216,473	11/1965	Dewenter	.....	241/167
3,240,246	3/1966	Dewenter	.....	241/98
3,311,353	3/1967	Rogenski	.....	366/197
3,346,029	10/1967	Harris, Jr.	.....	241/199.12
3,596,692	8/1971	Swanke	.....	241/199.12
3,603,364	9/1971	Samuelian et al.	.....	241/199.12
3,627,008	12/1971	Samuelian	.....	241/199.12
5,487,511	1/1996	Sansone et al.	.....	241/282.1

## OTHER PUBLICATIONS

See Information Disclosure Statement regarding commonly-owned, design application filed on the same day as the present application.

See Information, Disclosure Statement regarding offer for sale less than one year prior to filing date of present applications.

*Primary Examiner*—Caron D. Veynar  
*Attorney, Agent, or Firm*—Roger S. Dybvig

## [57] CLAIM

The ornamental design for blender jar and lid, as shown and described.

## DESCRIPTION

FIG. 1 is a perspective view as seen from the top, front, and left side of a blender jar and lid showing our new design; FIG. 2 is a right side elevational view thereof, the left side elevational view being a mirror image of the right side elevational view;

FIG. 3 is a front elevational view thereof;

FIG. 4 is a rear elevational view thereof;

FIG. 5 is a top plan view thereof;

FIG. 6 is a bottom plan view thereof;

FIG. 7 is a perspective view as seen from the top, front, and left side of a second embodiment of a blender jar and lid showing our new design, the second embodiment differing from the first embodiment only in that the walls below the base of the blender jar are shown in phantom;

FIG. 8 is a right side elevational view thereof, the left side elevational view being a mirror image of the right side elevational view;

FIG. 9 is a front elevational view thereof;

FIG. 10 is a rear elevational view thereof;

FIG. 11 is a top plan view thereof; and,

FIG. 12 is a bottom plan view thereof.

The broken lines in FIGS. 1 showing the blender blade and axial bolt are used for illustrative purposes only and form no part of the claimed design.

The broken lines in FIGS. 7 showing the blender blade, axial bolt, and the walls below the base of the blender jar are used for illustrative purposes only and form no part of the claimed design.

1 Claim, 4 Drawing Sheets

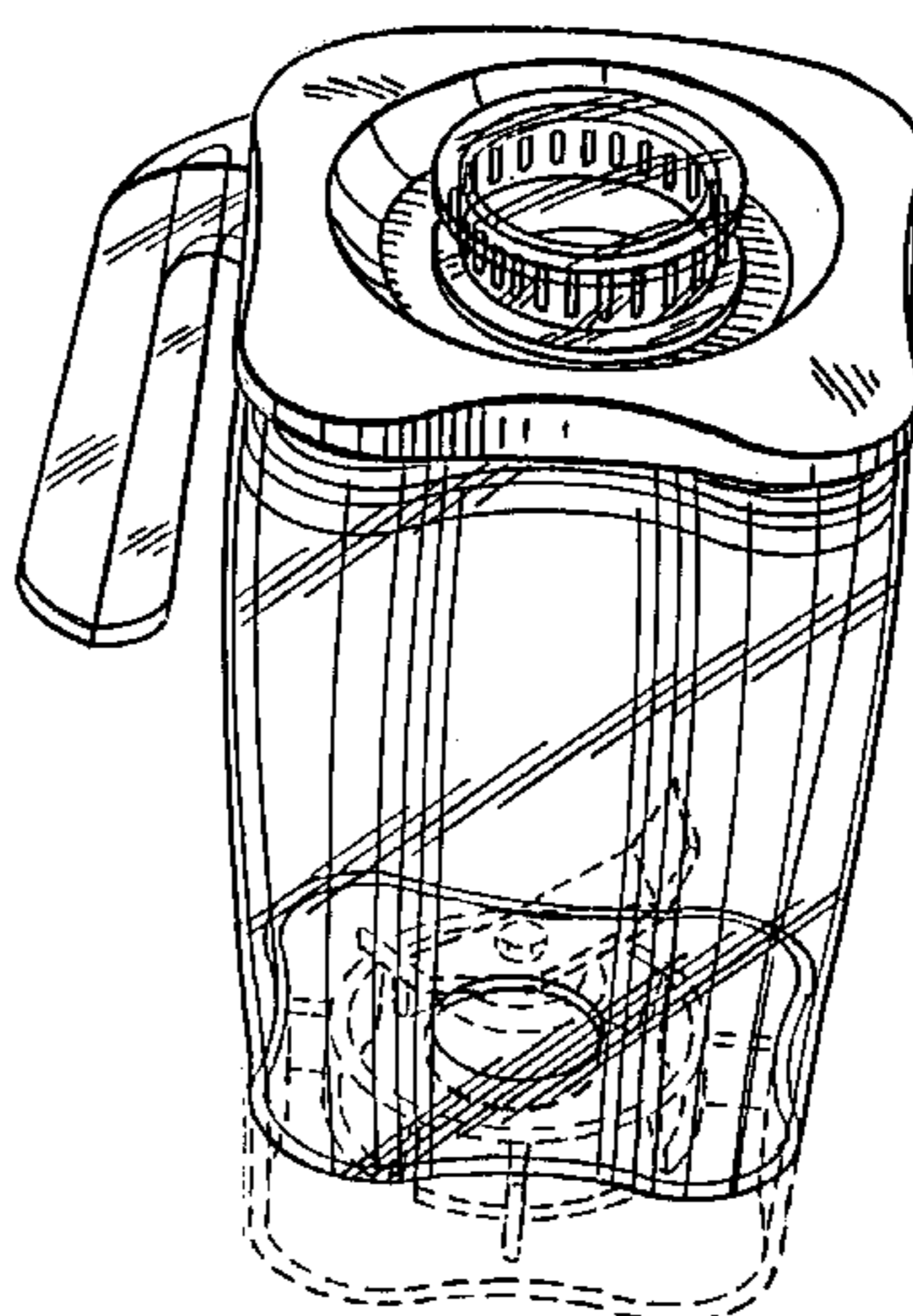
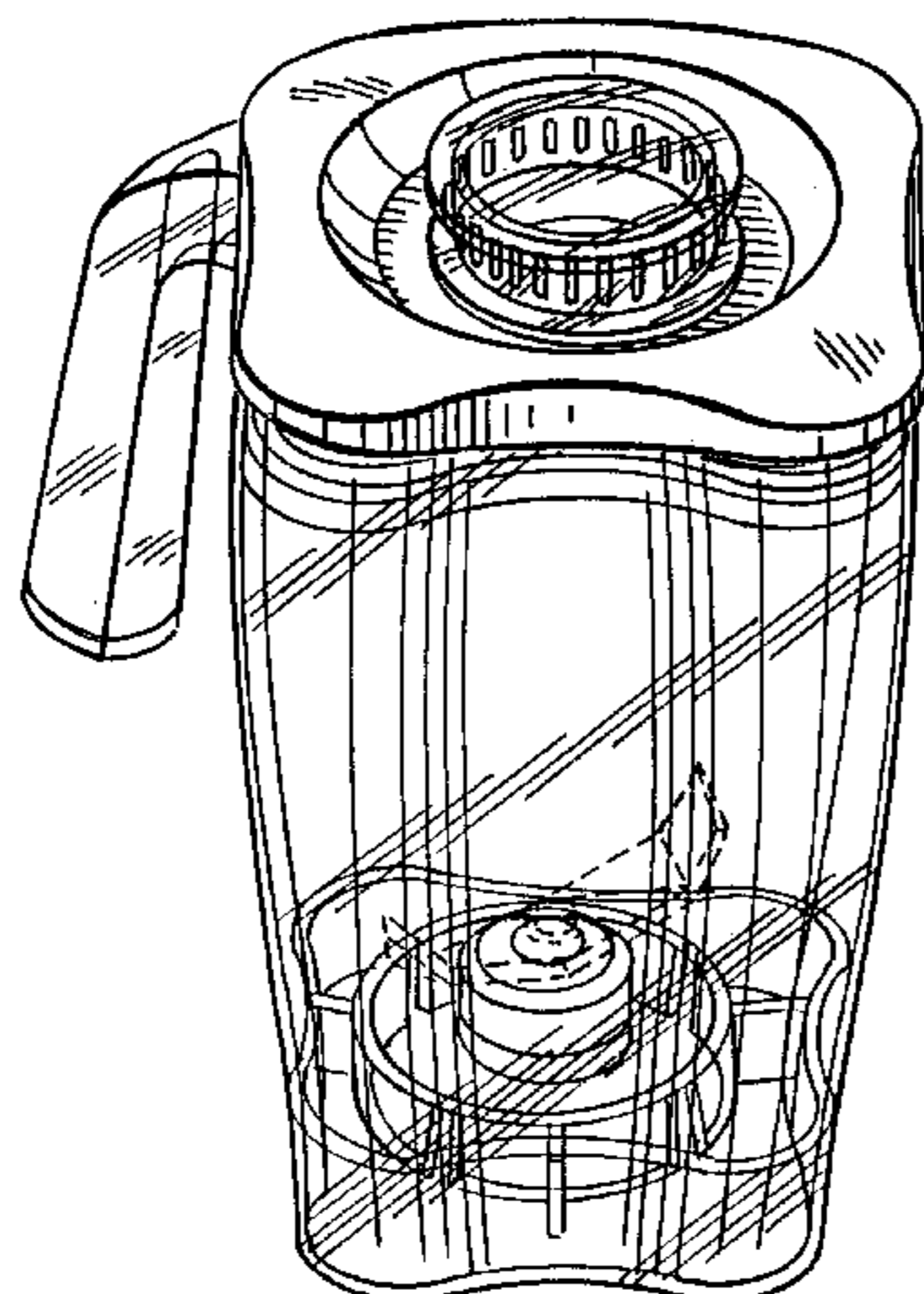


FIG-1

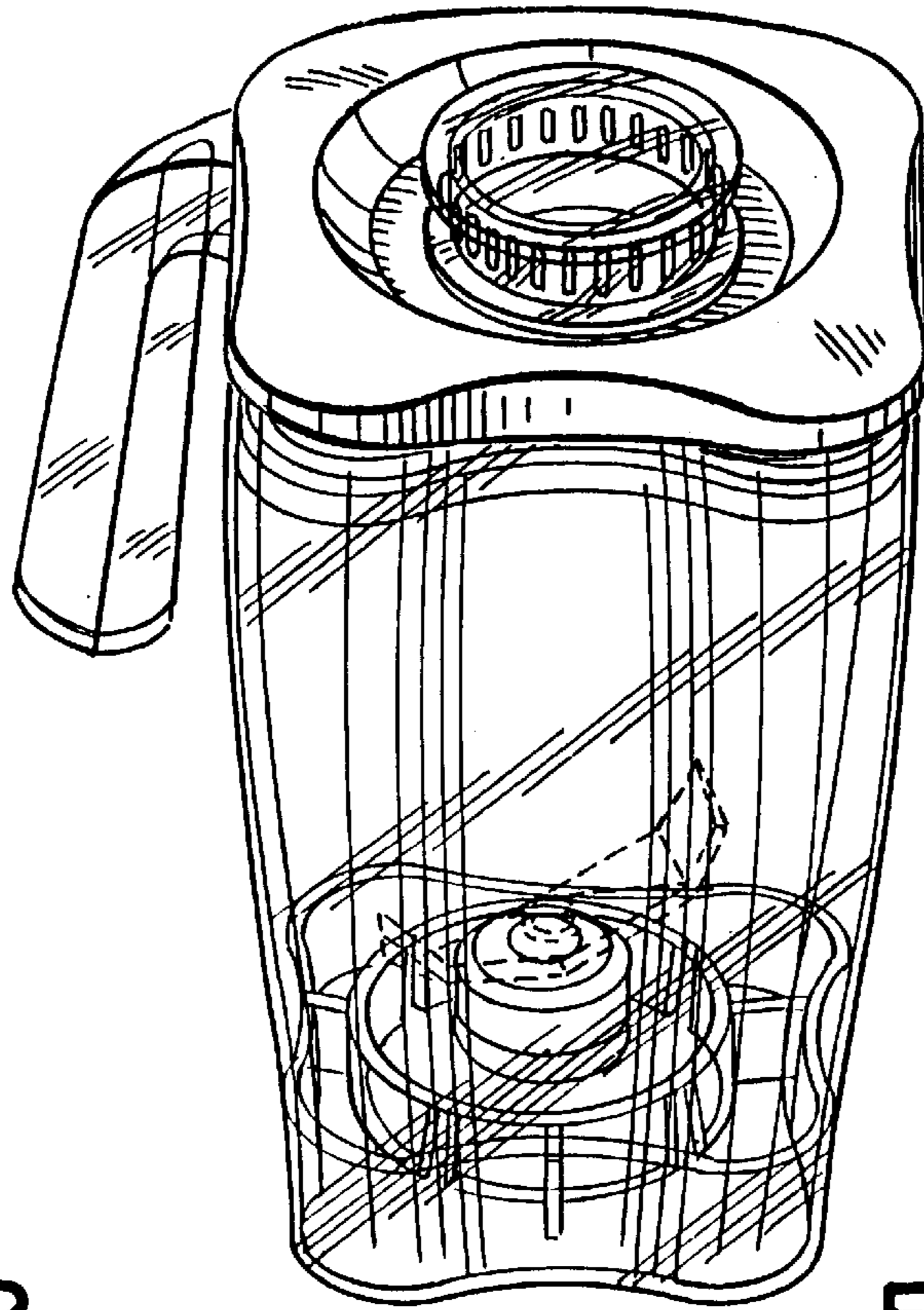


FIG-2

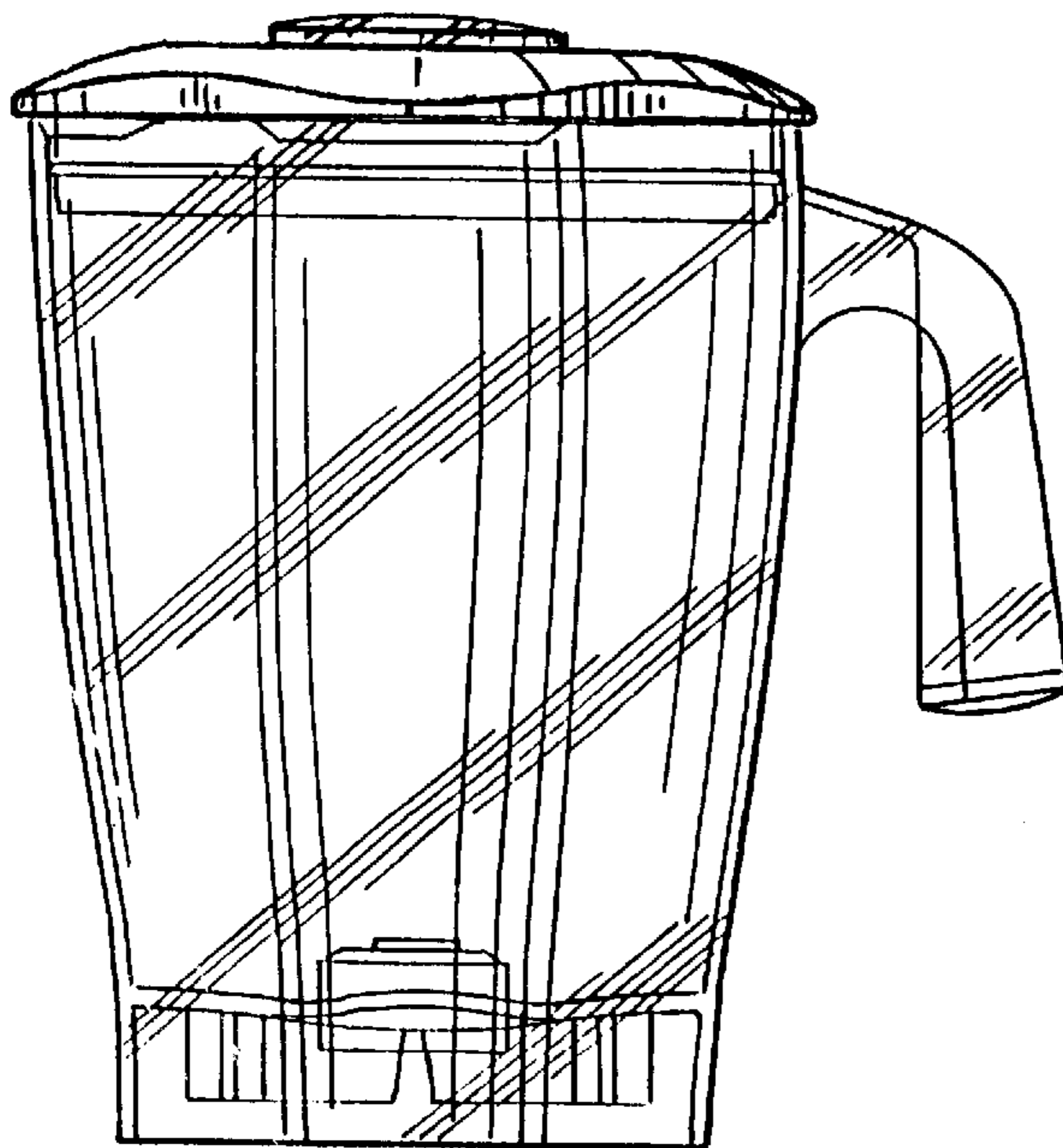


FIG-3

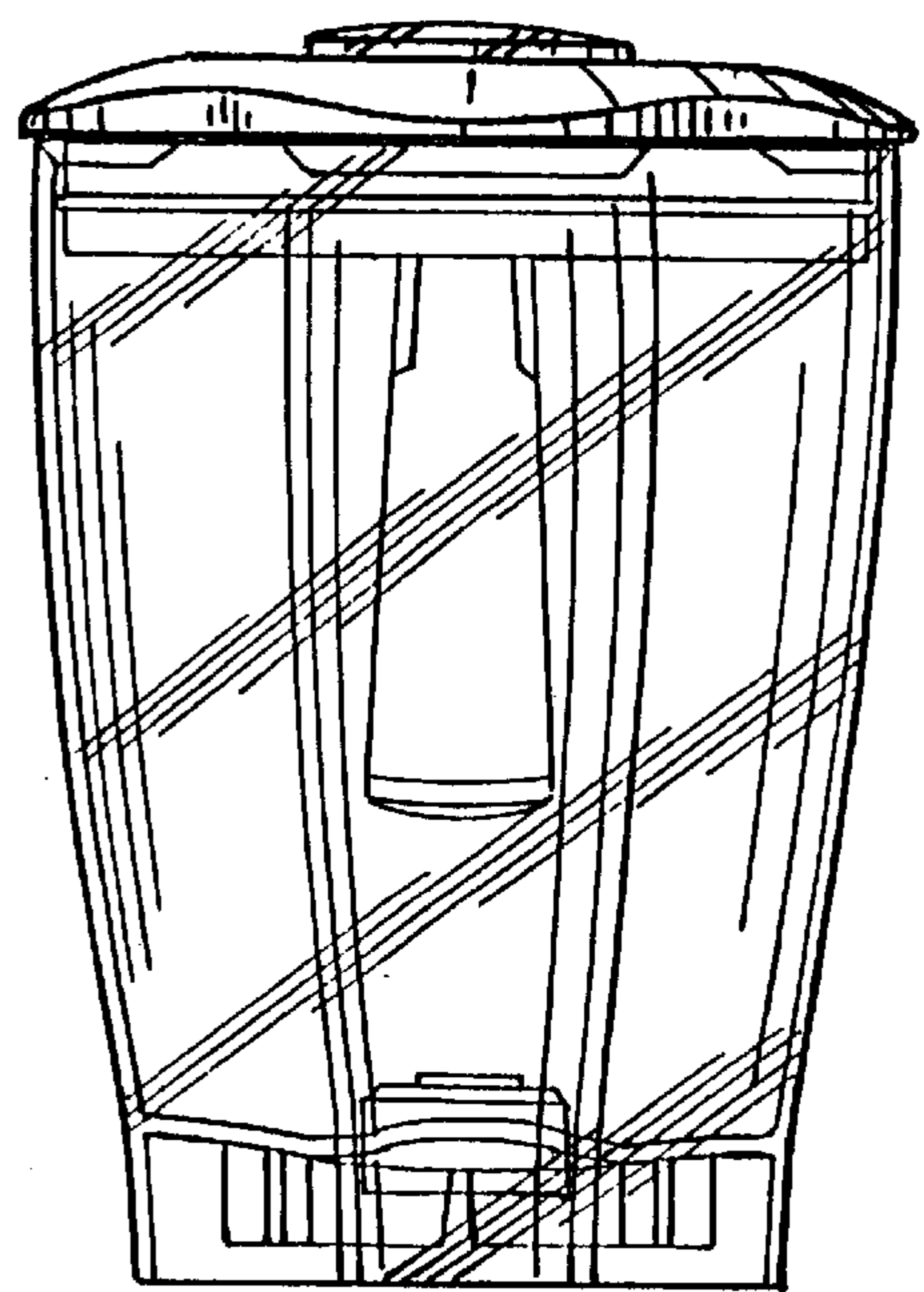


FIG-4

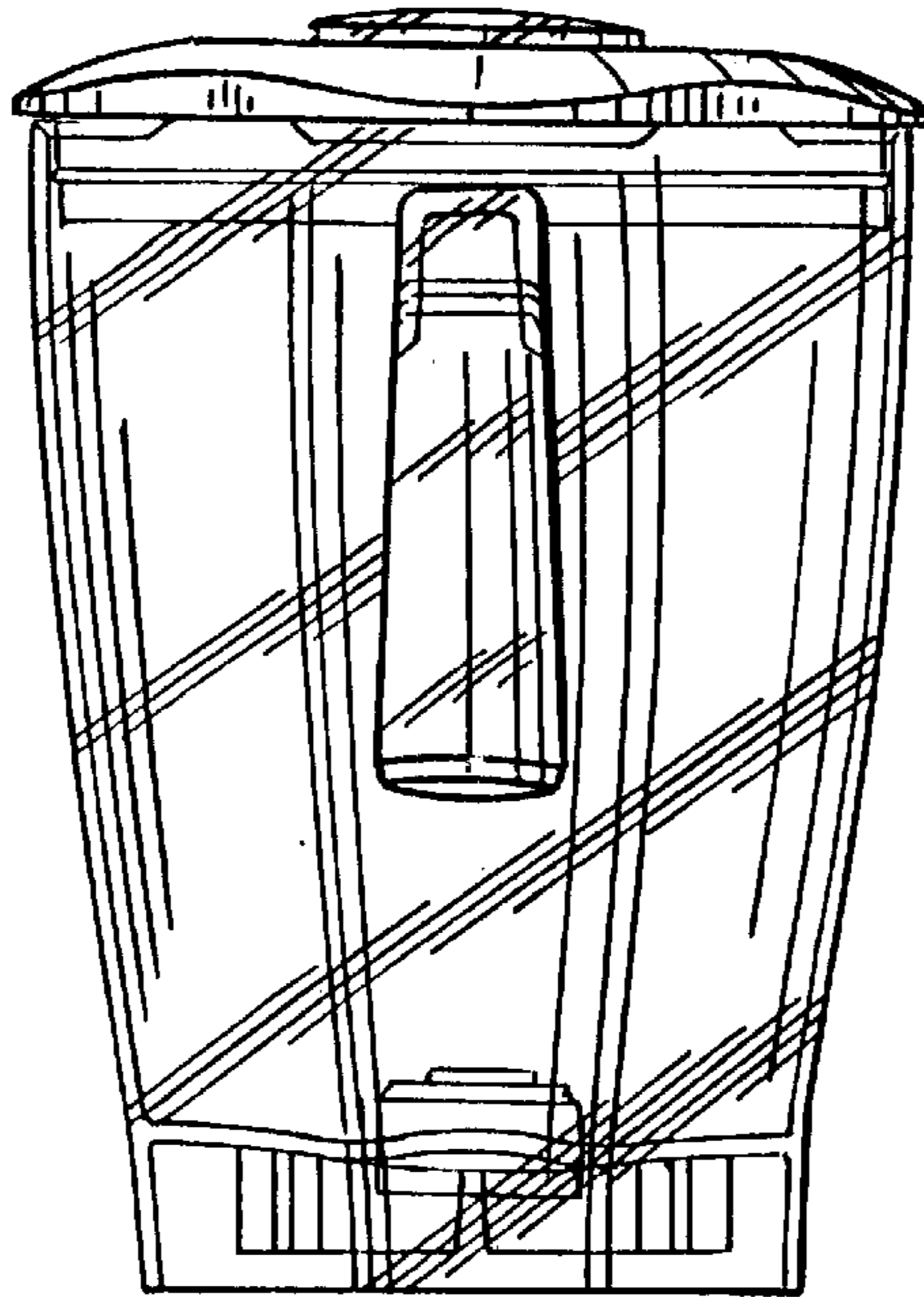


FIG-5

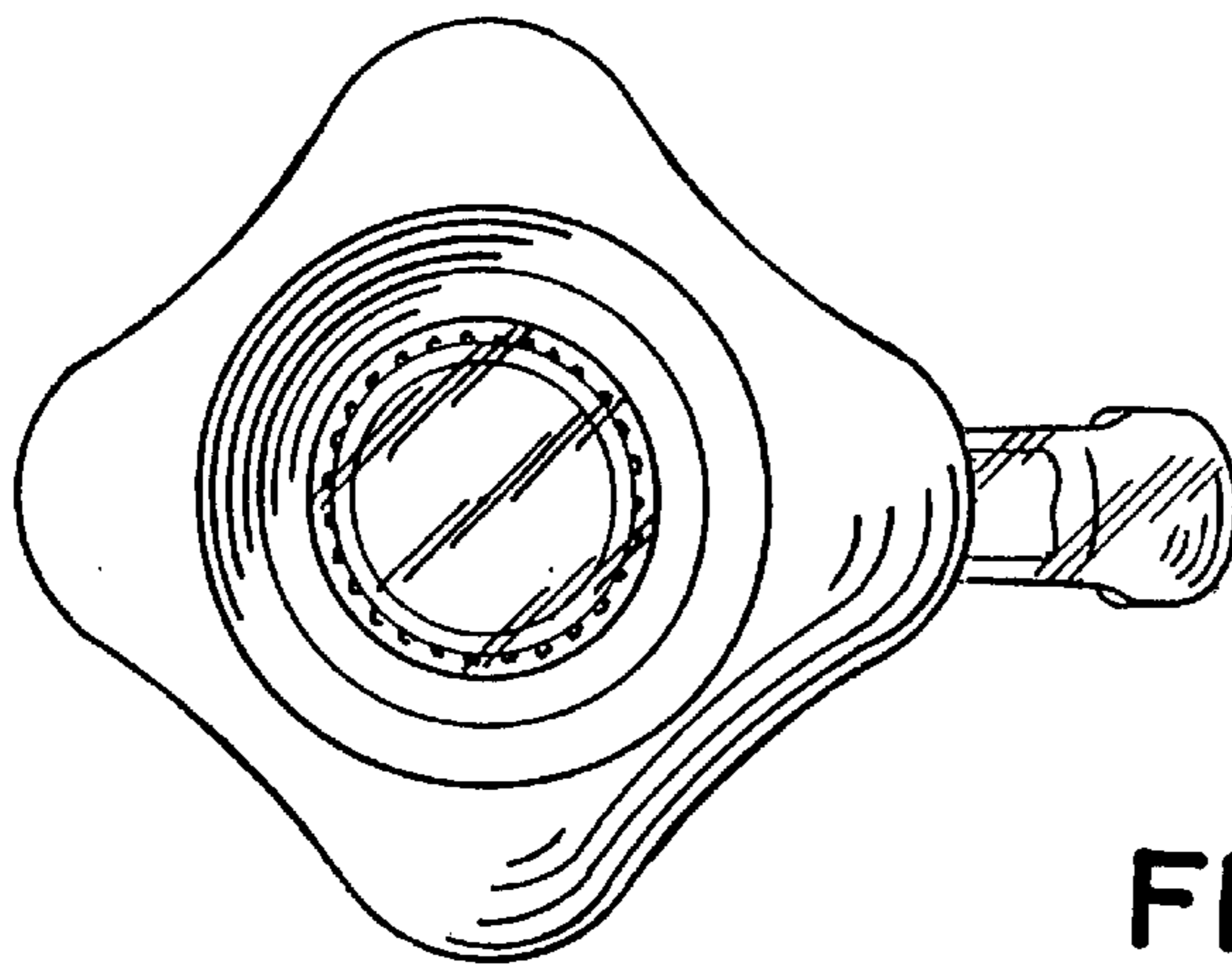


FIG-6

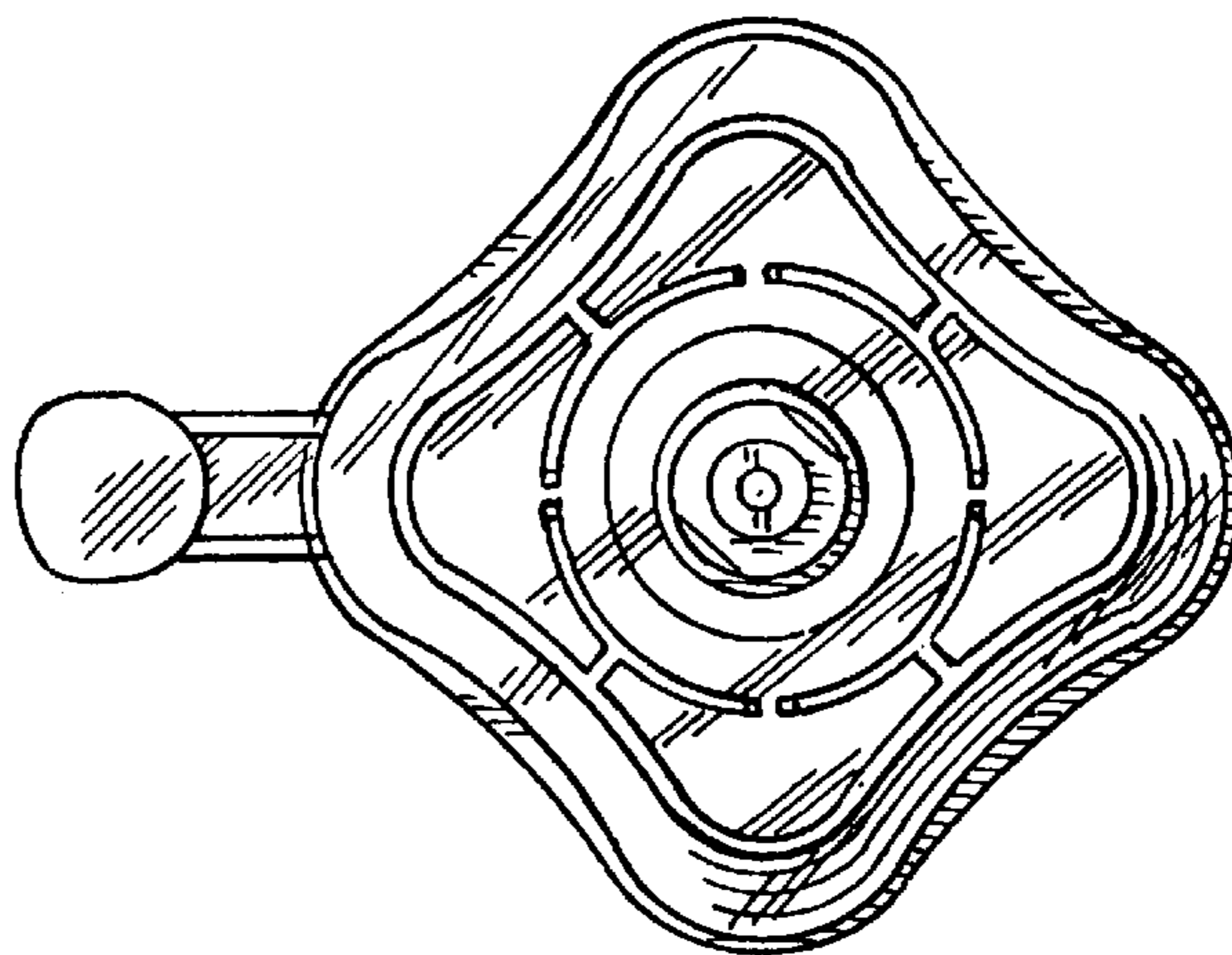


FIG-7

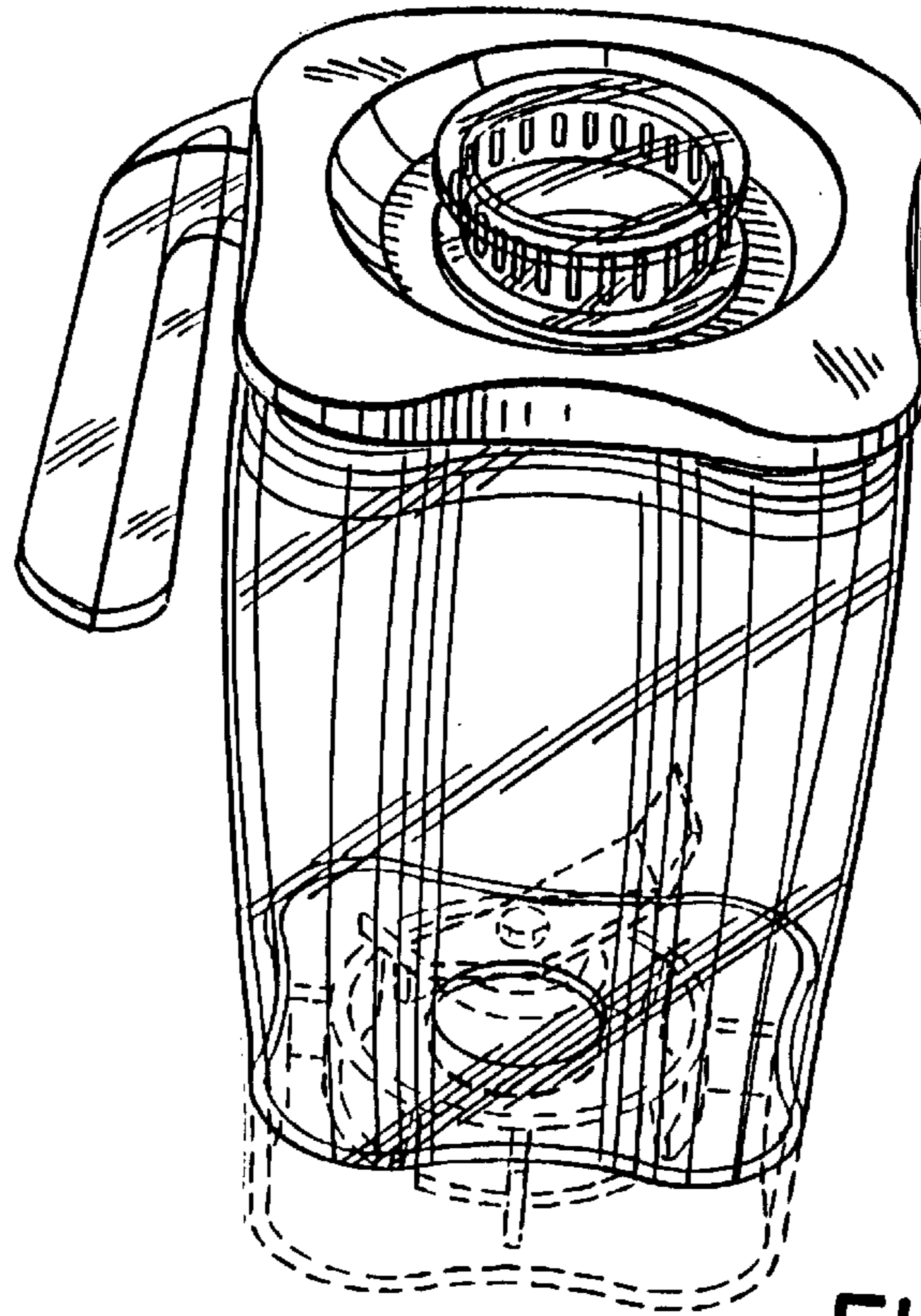


FIG-8

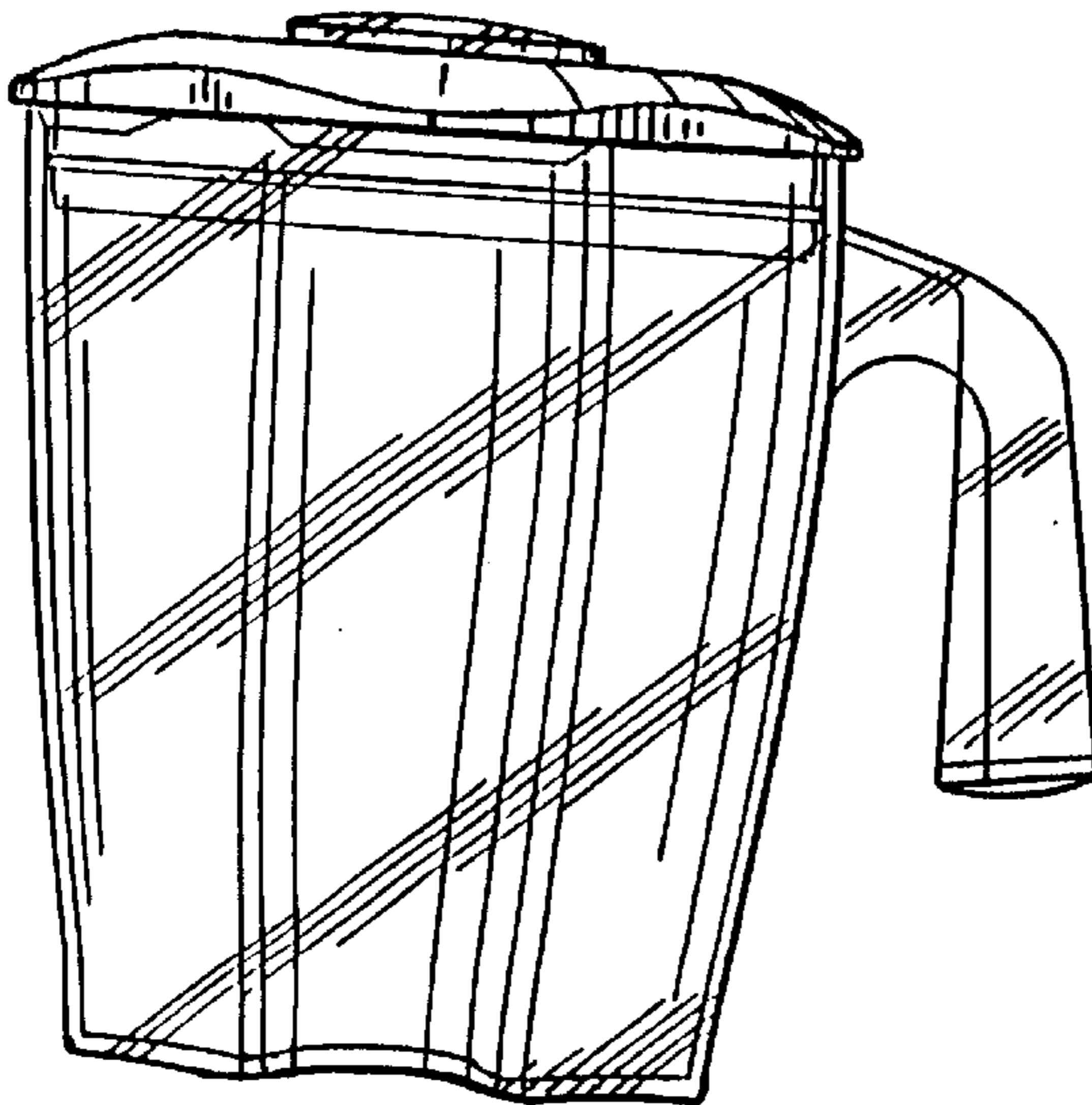


FIG-9

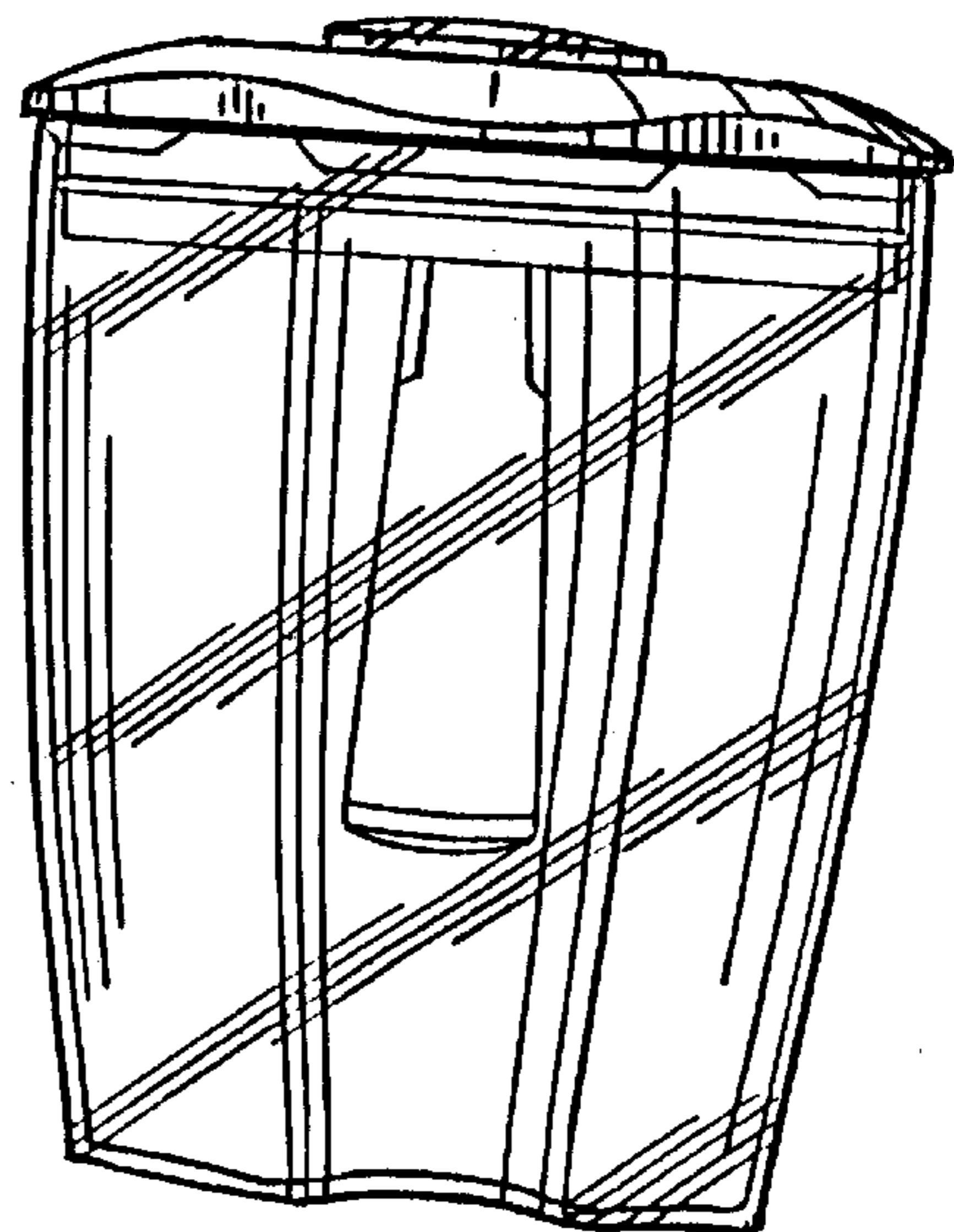


FIG-10

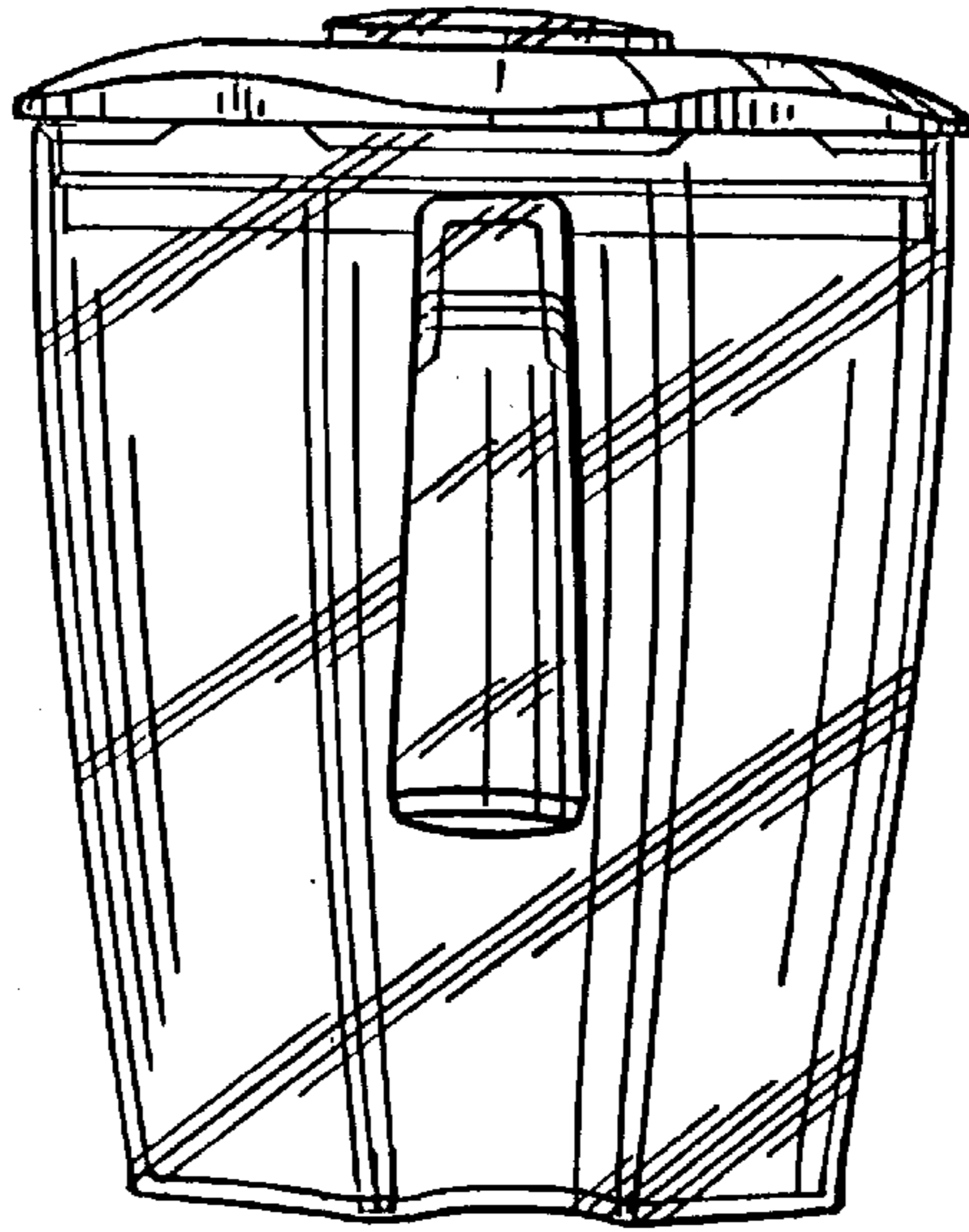


FIG-11

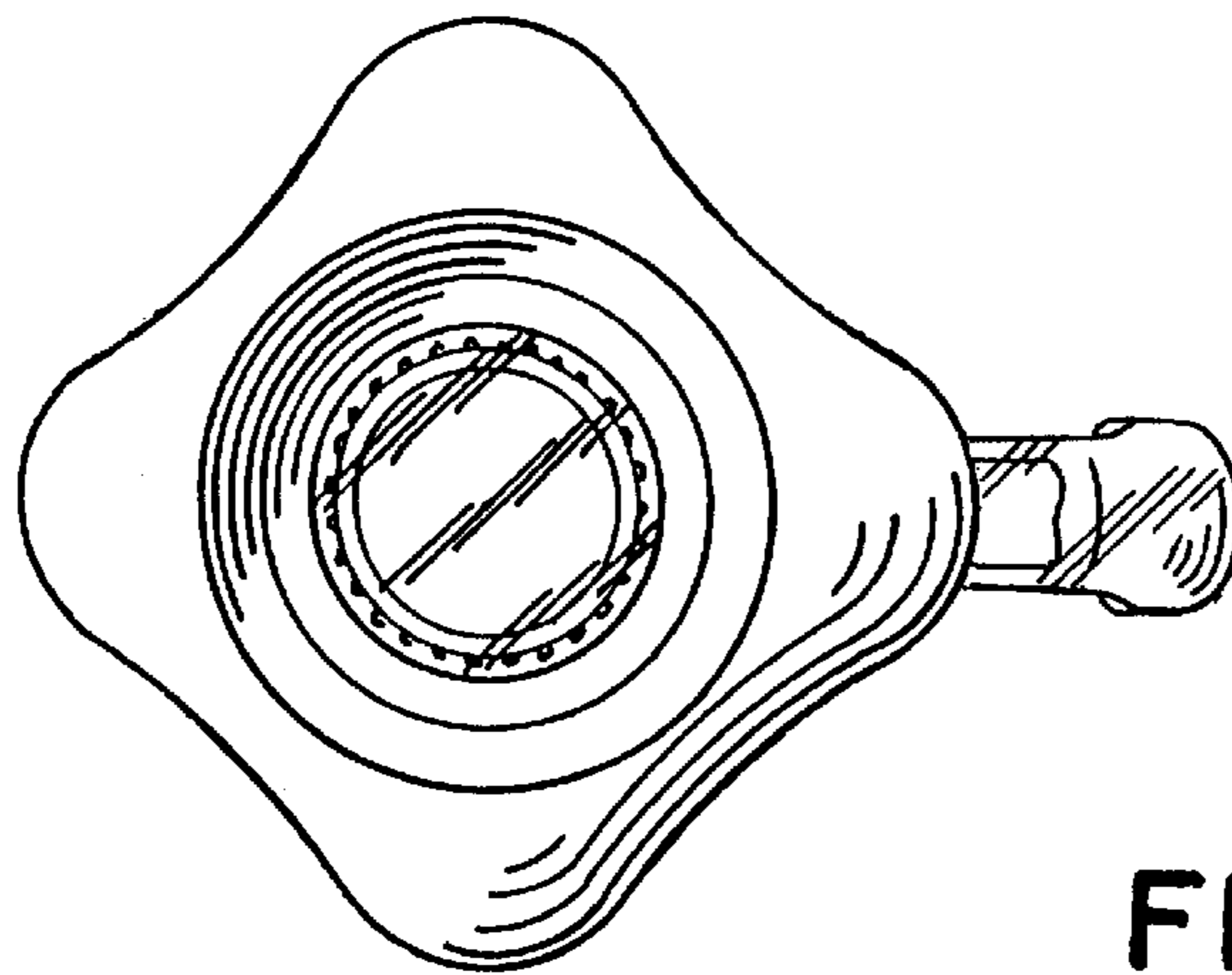


FIG-12

