



US00D435191S

United States Patent [19] Cooper

[11] Patent Number: Des. 435,191

[45] Date of Patent: ** Dec. 19, 2000

[54] PORTABLE COOK STOVE

[76] Inventor: **Ronald D. Cooper**, P.O. Box 1866,
Collegedale, Tenn. 37315-1866

[**] Term: **14 Years**

[21] Appl. No.: **29/112,952**

[22] Filed: **Oct. 27, 1999**

[51] LOC (7) Cl. **07-02**

[52] U.S. Cl. **D7/337**

[58] Field of Search D7/332-337, 402,
D7/403; 126/25 R, 25 A, 25 AA, 25 B,
29-30, 9 R, 9 B, 39 R, 41 R, 26, 40, 50,
38; 99/419, 421 R, 421 HV; D23/348,
402

D. 420,441	2/2000	Hall	D23/402
1,011,675	12/1911	Tremoulet .	
1,042,273	10/1912	Roe .	
2,513,580	7/1950	Milligan	126/25
3,209,742	10/1965	Crowley et al.	126/25
3,327,699	6/1967	Uden	126/25
3,378,002	4/1968	Hink	126/25
4,452,224	6/1984	Misumida	126/41
5,024,208	6/1991	Hottenroth et al.	126/25
5,513,625	5/1996	Landman	126/152
5,564,330	10/1996	Nowicke, Sr.	99/340
5,592,871	1/1997	Barlett	99/400
5,687,704	11/1997	Lerch et al.	126/25
5,749,354	5/1998	Lin	126/25

Primary Examiner—Ruth McInroy

[57] CLAIM

The ornamental design for a portable cook stove, as shown and described.

DESCRIPTION

FIG. 1 is a front elevation view of a portable cook stove showing my new design;
FIG. 2 is a top plan view thereof;
FIG. 3 is a bottom view thereof;
FIG. 4 is a right side elevation view thereof, the left side being a mirror image; and,
FIG. 5 is a rear elevation view thereof.

1 Claim, 2 Drawing Sheets

[56] References Cited

U.S. PATENT DOCUMENTS

D. 171,542	2/1954	Harrel	D7/337
D. 172,672	7/1954	Lennox	D91/10
D. 175,253	8/1955	Greenblat	D7/337
D. 185,280	5/1959	Greenblat	D7/337
D. 212,268	9/1968	Williams	D7/337
D. 220,371	3/1971	Strauss	3/197
D. 221,097	7/1971	Stier	D7/337
D. 229,277	11/1973	Ming-Kong	D7/337
D. 254,165	2/1980	Woodward	D7/337
D. 258,713	3/1981	Harper	D7/337

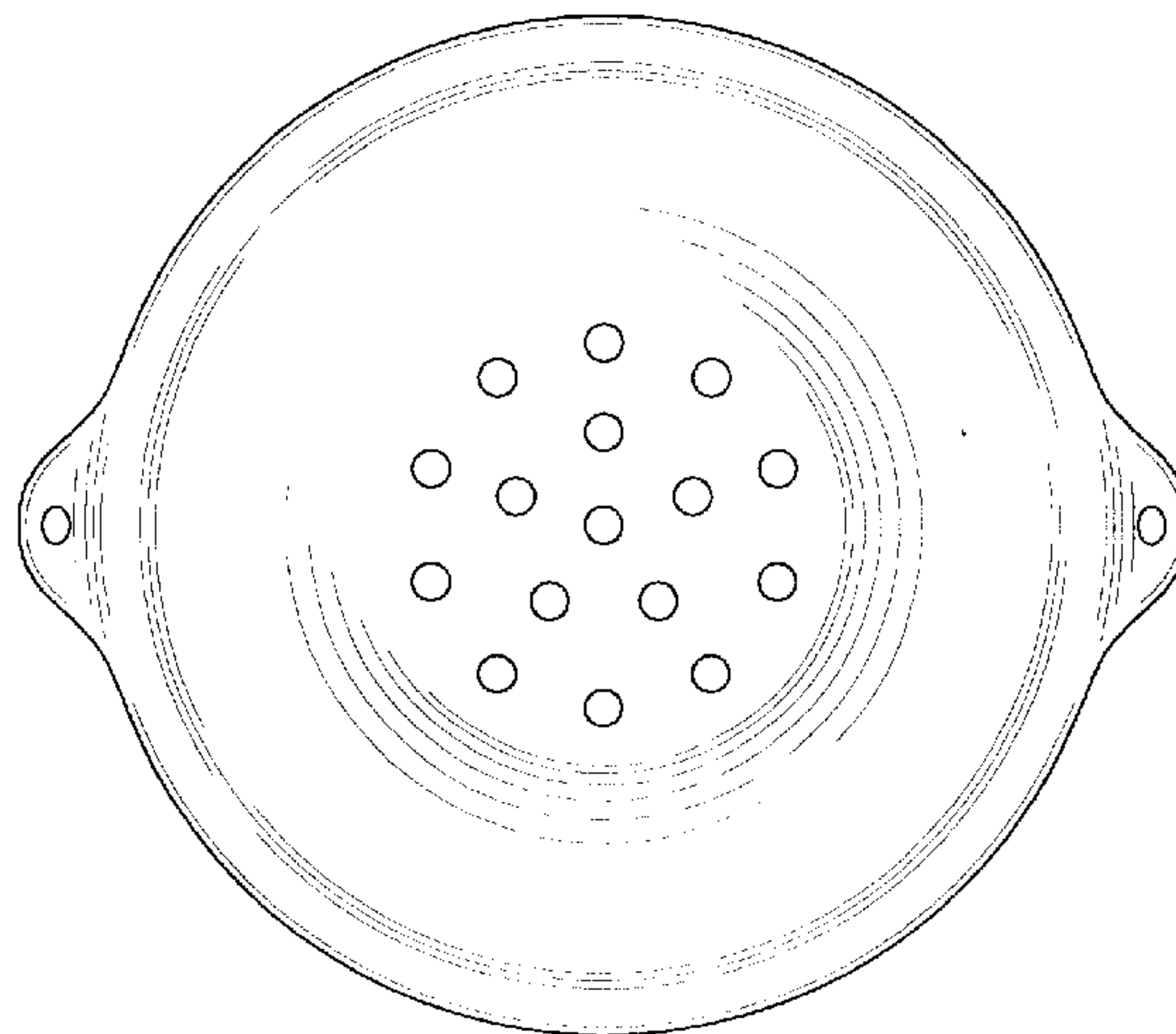
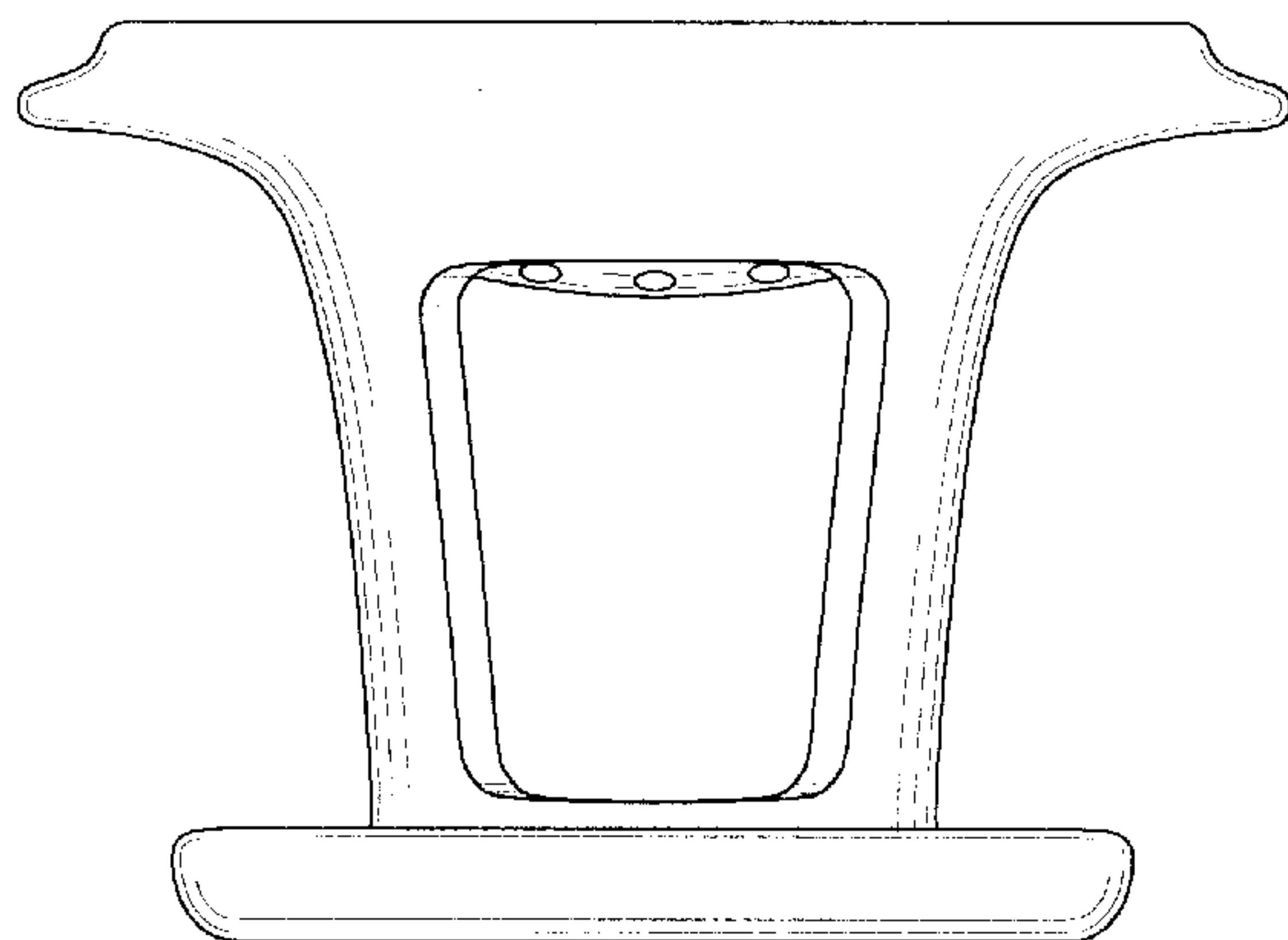


FIG. 1

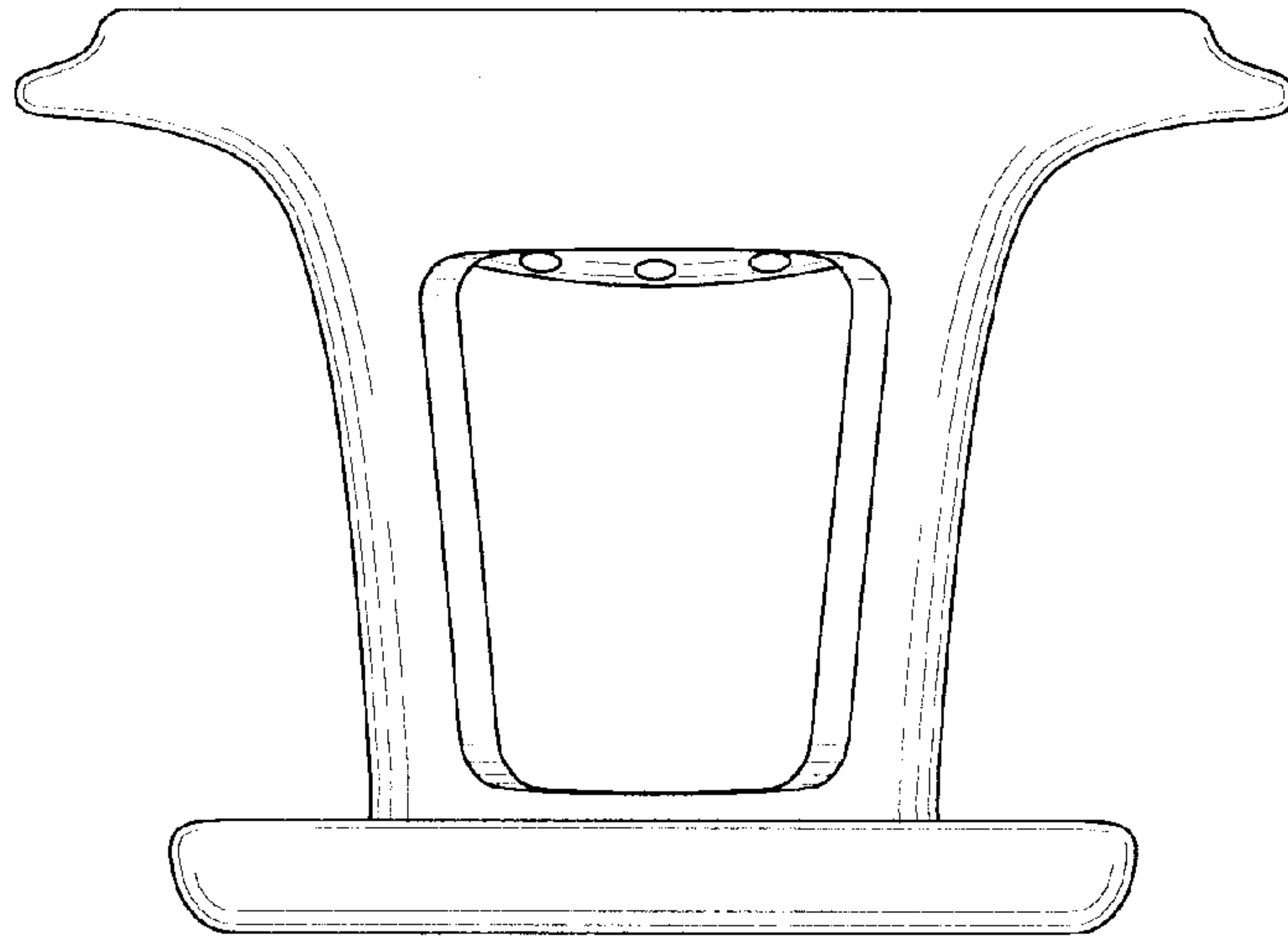


FIG. 2

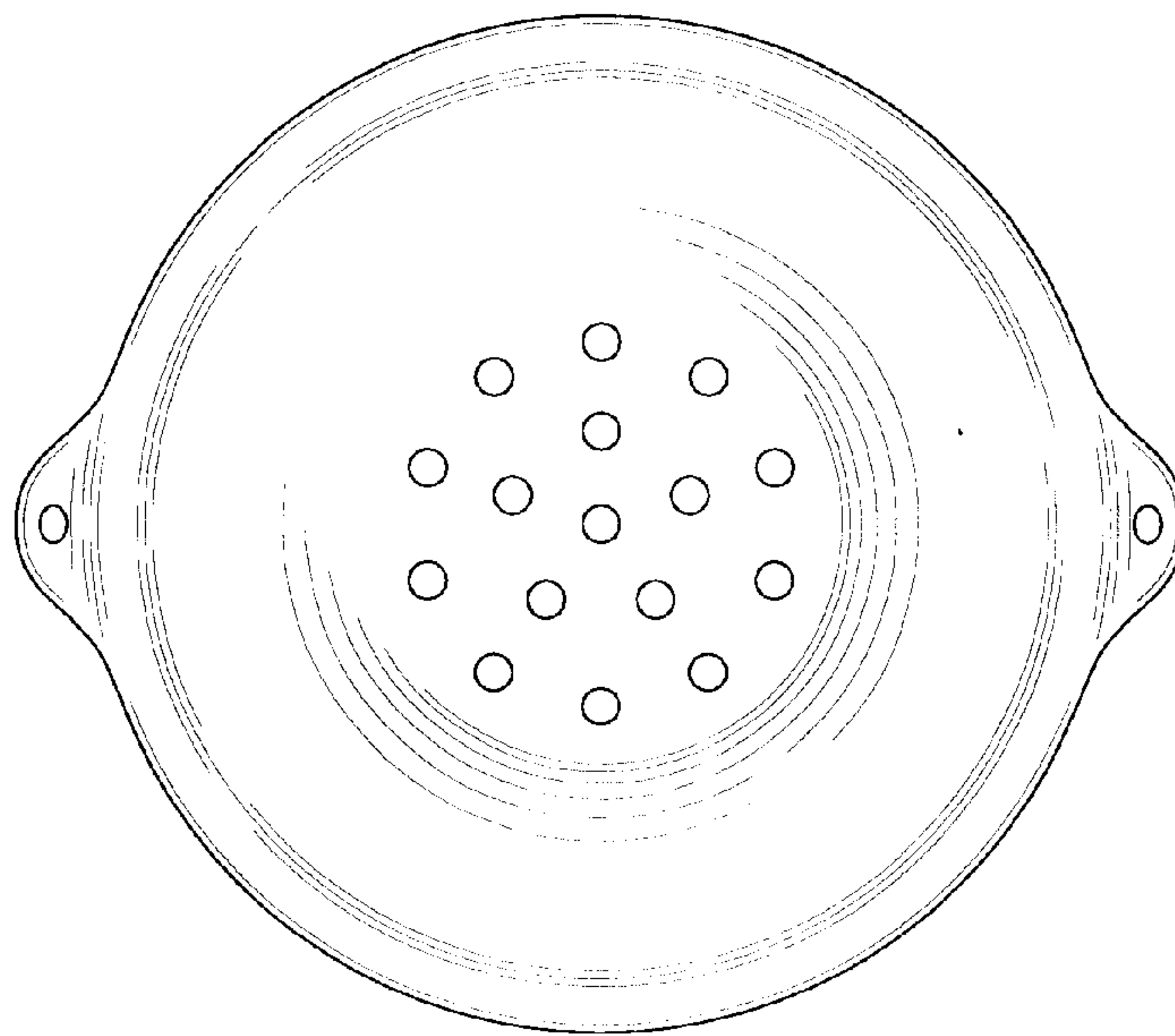


FIG. 3

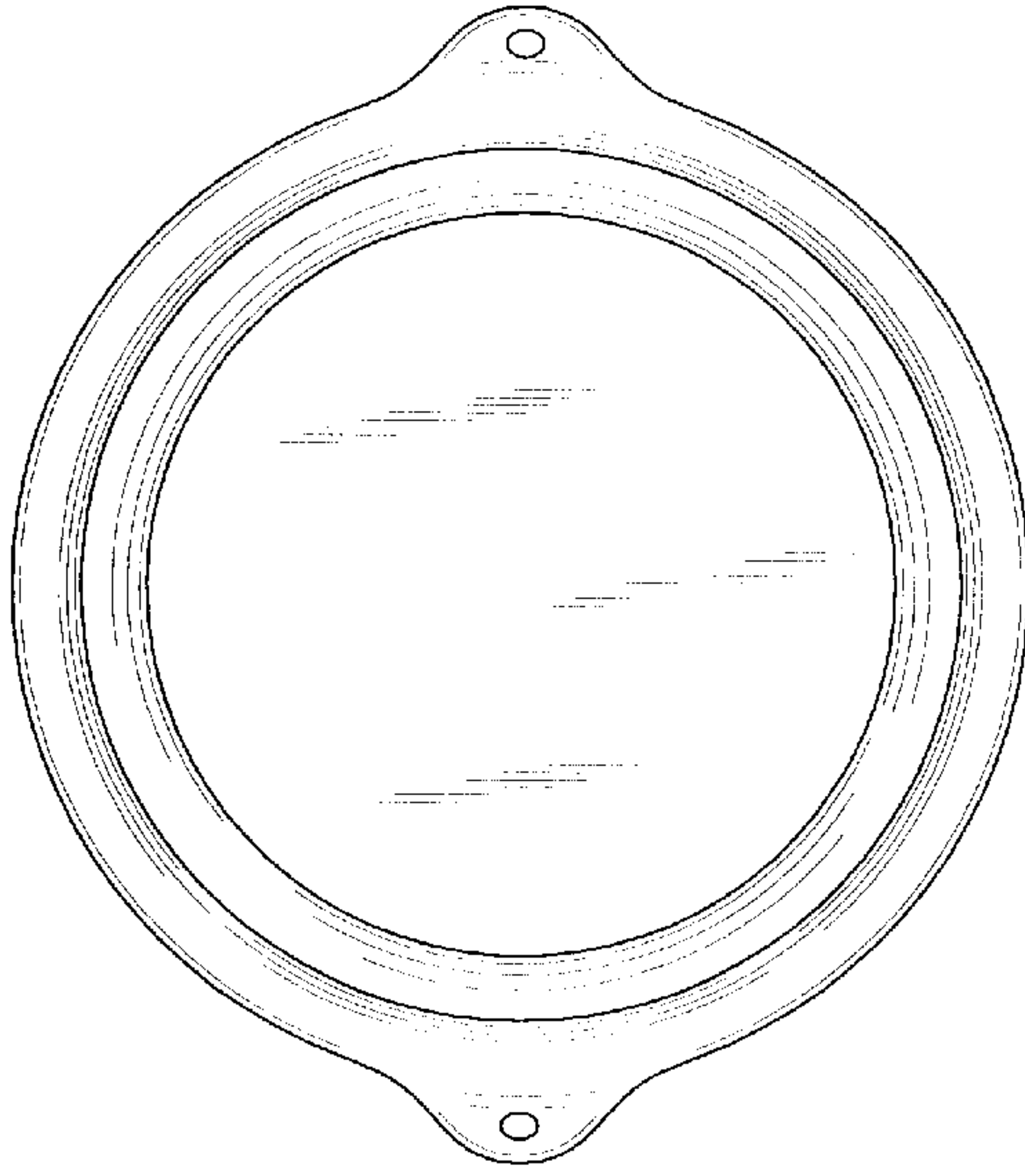


FIG. 4

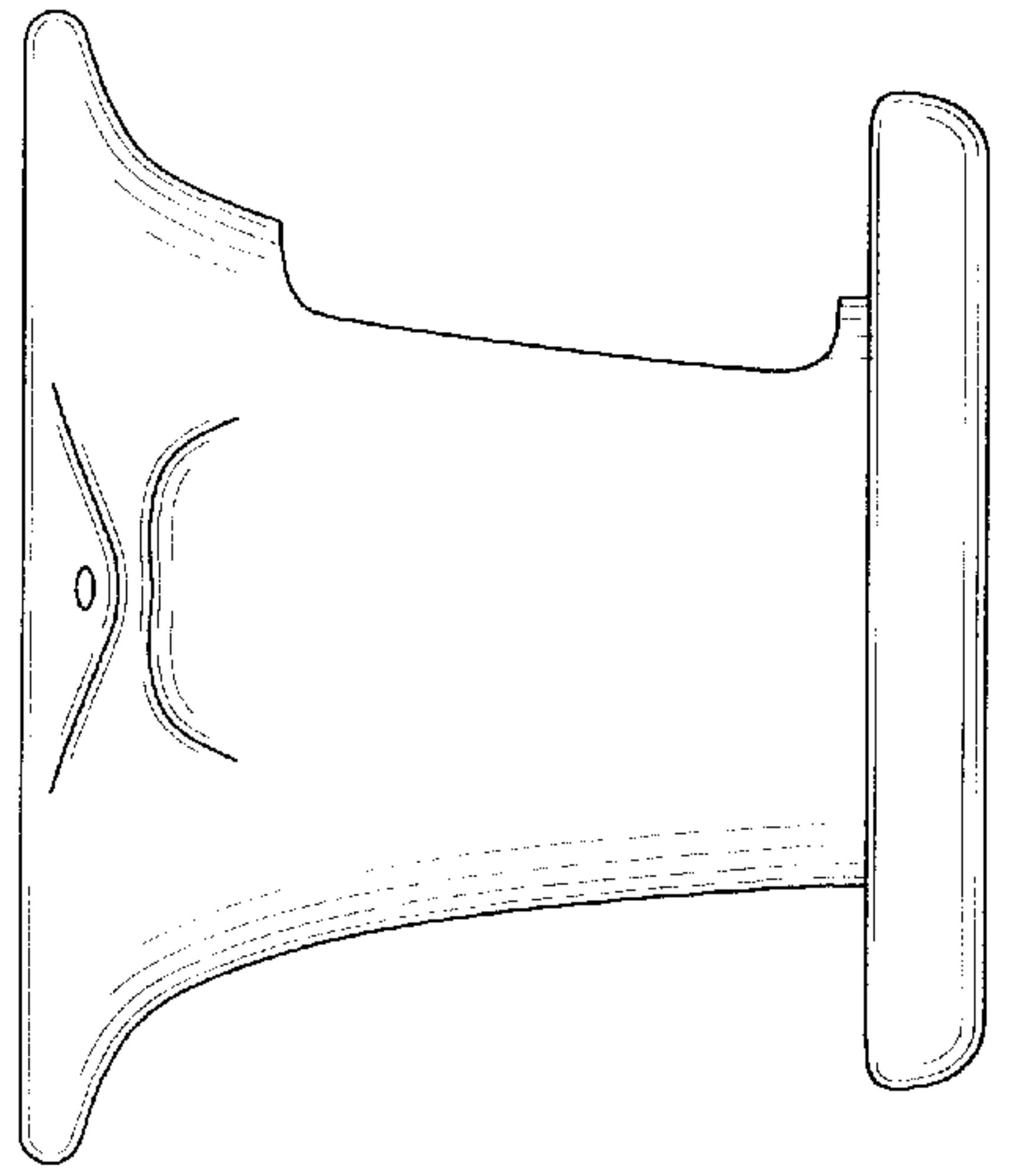


FIG. 5

