



US00D435186S

United States Patent [19]
Fulkerson

[11] **Patent Number: Des. 435,186**

[45] **Date of Patent: ** Dec. 19, 2000**

[54] **SPORTS RUG**

[76] Inventor: **Glenda E. Fulkerson**, 13617 Walnut St., Omaha, Nebr. 68144

[**] Term: **14 Years**

[21] Appl. No.: **29/109,996**

[22] Filed: **Aug. 30, 1999**

[51] **LOC (7) Cl.** **06-11**

[52] **U.S. Cl.** **D6/588; D6/583; D6/592**

[58] **Field of Search** D6/582-594; D20/10, D20/14, 23, 27, 30-32, 39-40, 99; 4/581-583; 5/417; 15/215-217, 238; 16/4, 7-9, 16; D21/701-706, 328, 355; 473/472; 273/317.3, 259

[56] **References Cited**

U.S. PATENT DOCUMENTS

D. 32,117	1/1900	Gately .	
D. 36,338	5/1903	Brundage .	
D. 231,889	6/1974	Krieger	D7/551.1
D. 259,229	5/1981	Lady	D6/210
D. 308,149	5/1990	Lewis et al.	D6/588
D. 310,000	8/1990	Livingstone et al.	D6/583
D. 335,313	5/1993	Borlee	D21/199
D. 350,253	9/1994	Livingstone et al.	D6/582
D. 355,459	2/1995	Cornelison	D21/199

D. 367,080	2/1996	Anderson	D21/355
D. 367,680	3/1996	Abbott	D21/706
D. 424,857	5/2000	Fujihara et al.	D6/583
490,556	1/1893	Gerhard	15/215
3,515,385	6/1970	Gunderson	D21/334
4,171,808	10/1979	Bauer	473/472
4,260,154	4/1981	Balbastro	273/411
5,472,548	12/1995	Lindsay et al.	156/277
5,549,293	8/1996	Seifert	273/1.5 R
5,690,330	11/1997	Ozawa	273/317.3
5,882,271	3/1999	Byrd	473/472
5,906,654	5/1999	Oswald	473/472

Primary Examiner—James Gandy
Assistant Examiner—Carol Rademaker
Attorney, Agent, or Firm—Rothwell, Figg, Ernst & Manbeck

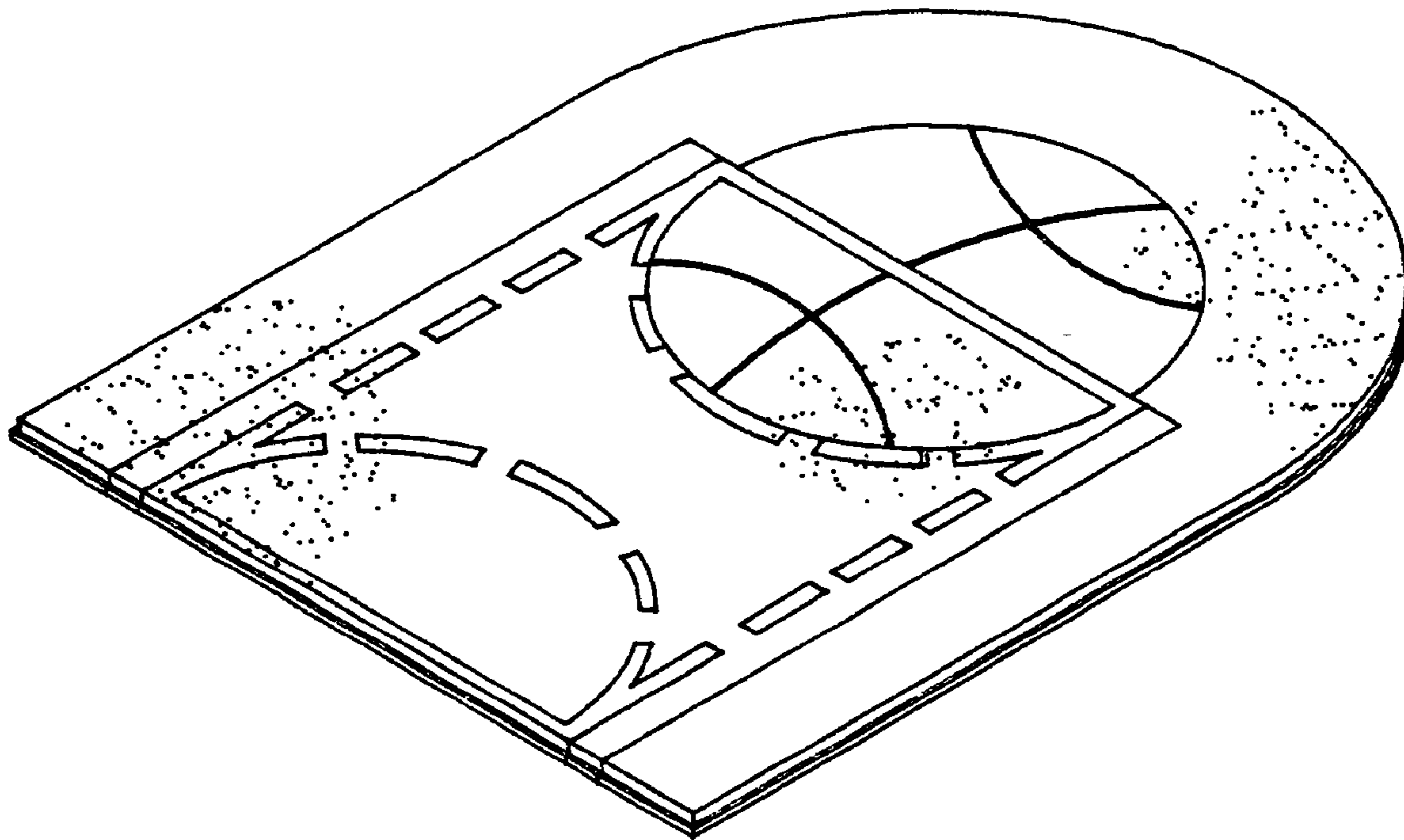
[57] **CLAIM**

The ornamental design for a sports rug, as shown and described.

DESCRIPTION

FIG. 1 is a perspective view of a sports rug constructed in accordance with my new design;
FIG. 2 is a top plan view of the sports rug;
FIG. 3 is a left end view of the sports rug;
FIG. 4 is a front side view of the sports rug; and,
FIG. 5 is a bottom plan view of the sports rug.

1 Claim, 1 Drawing Sheet



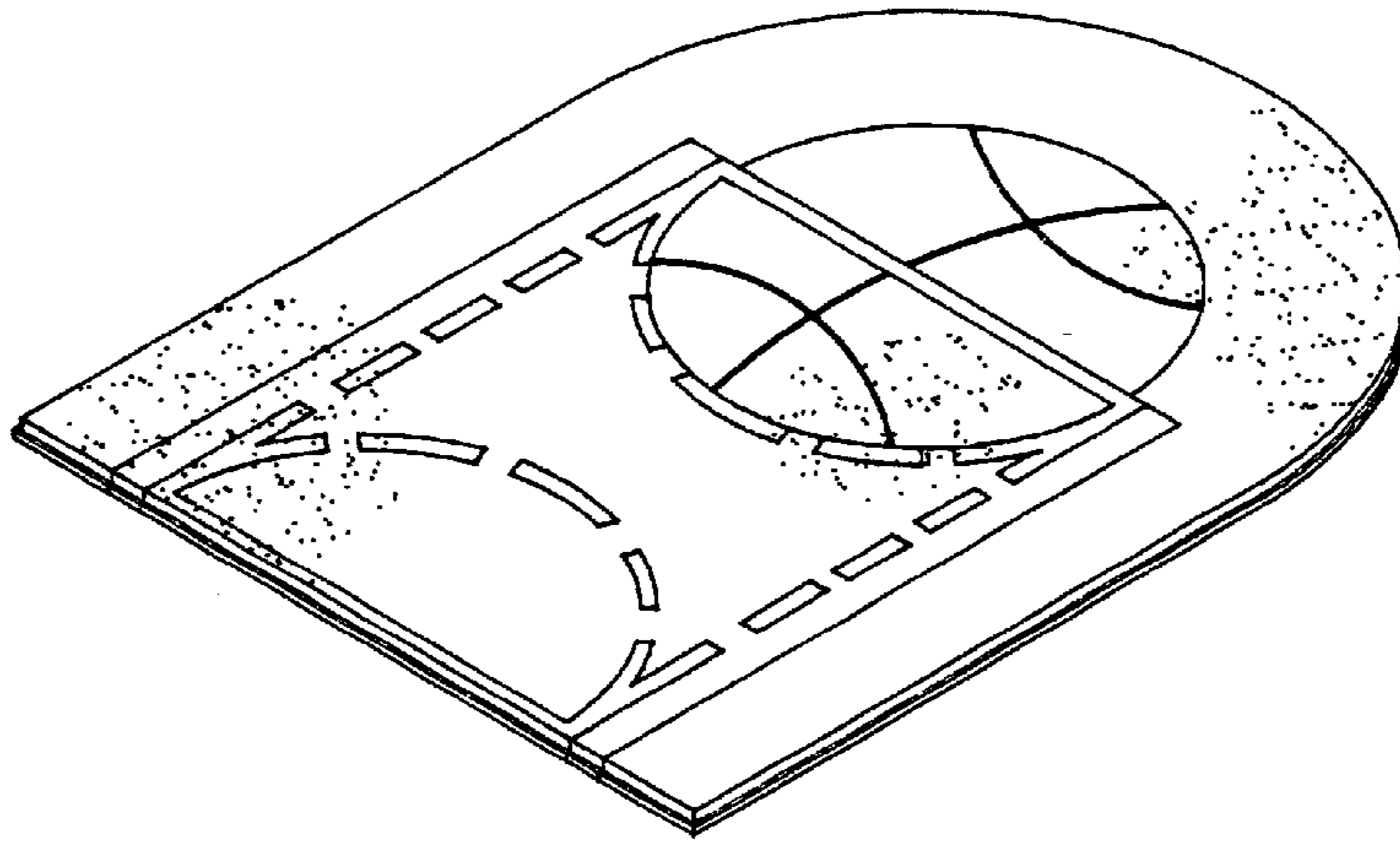


FIG. 1

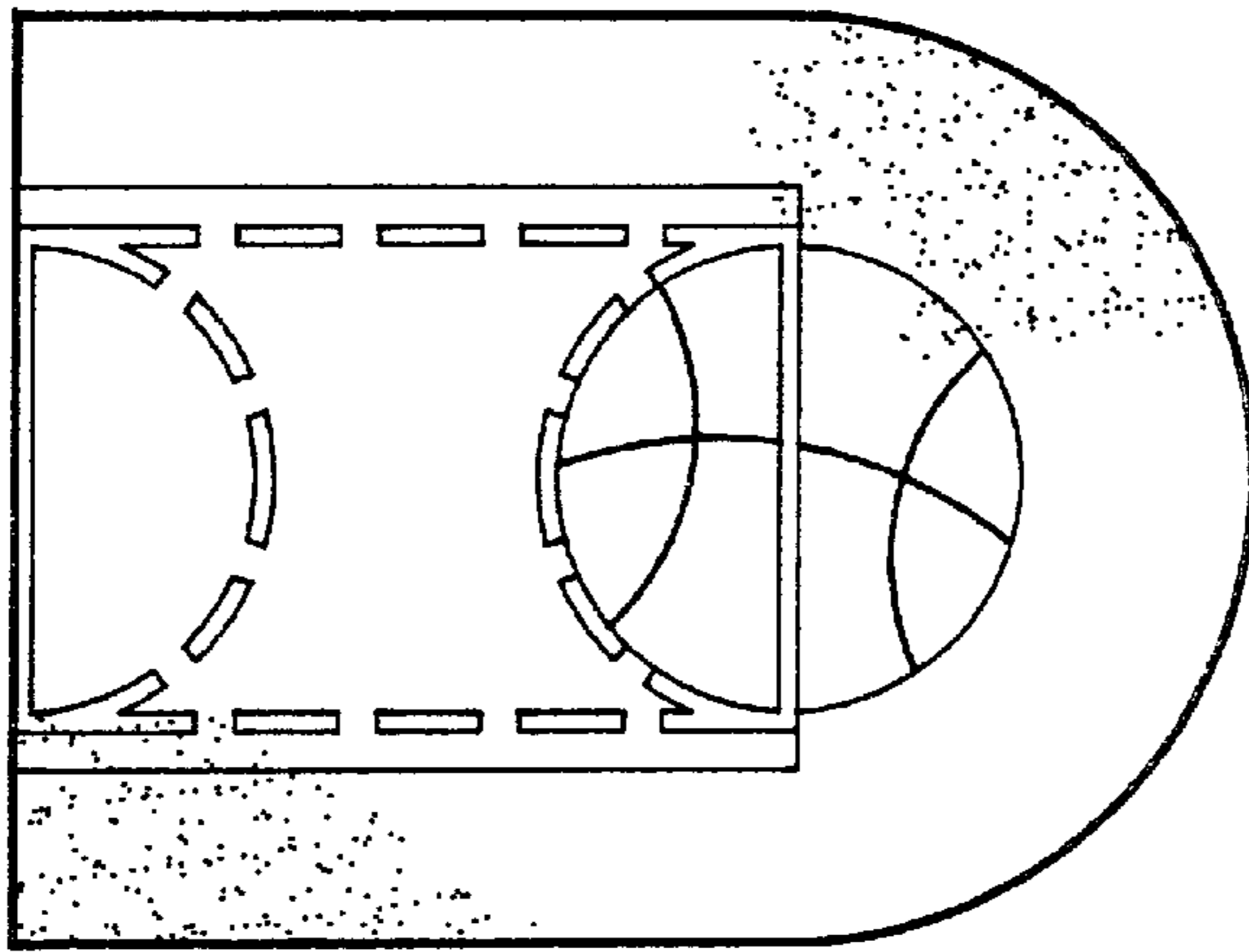


FIG. 2



FIG. 3



FIG. 4

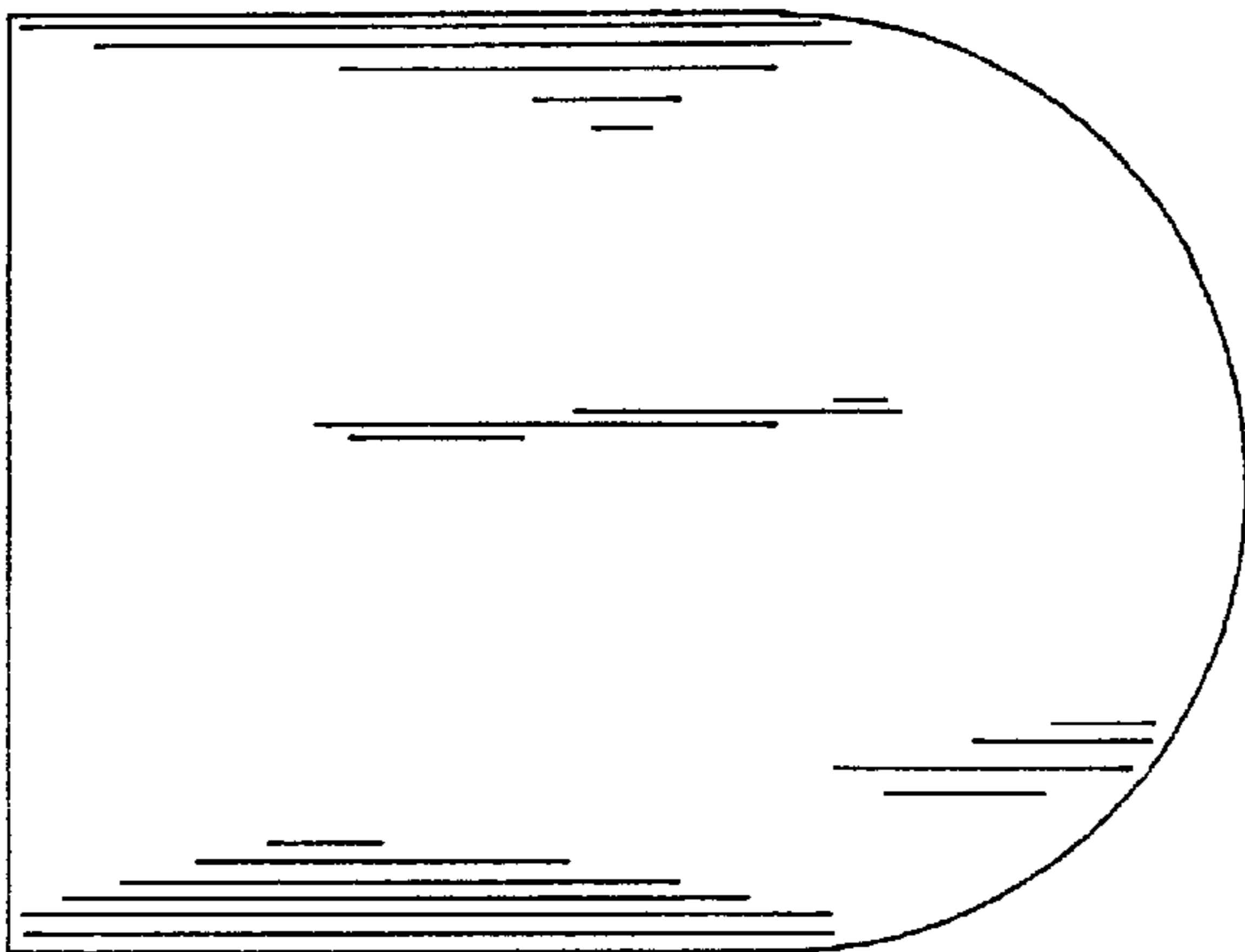


FIG. 5