



US00D435184S

**United States Patent** [19]  
**Camfferman**

[11] **Patent Number: Des. 435,184**

[45] **Date of Patent: \*\* Dec. 19, 2000**

[54] **DRAWER PANEL**

[75] Inventor: **Brent J. Camfferman**, Winnipeg, Canada

[73] Assignee: **Palliser Furniture Ltd.**, Winnipeg, Canada

[\*\*] Term: **14 Years**

[21] Appl. No.: **29/108,566**

[22] Filed: **Jul. 29, 1999**

[51] **LOC (7) Cl.** ..... **06-06**

[52] **U.S. Cl.** ..... **D6/510**

[58] **Field of Search** ..... D6/432-448, 422,  
D6/491, 492, 510; 312/107, 198, 201, 257.1,  
278, 279, 348.4

[56] **References Cited**

**U.S. PATENT DOCUMENTS**

D. 327,794	7/1992	Zapf	.....	D6/422 X
D. 365,464	12/1995	Brunner et al.	.....	D6/439
D. 382,135	8/1997	Brunner et al.	.....	D6/439
D. 388,986	1/1998	Dittberner	.....	D6/510
D. 391,786	3/1998	Zaidman et al.	.....	D6/445
D. 399,372	10/1998	Zaidman et al.	.....	D6/446
D. 417,350	12/1999	Zaidman	.....	D6/510
D. 417,806	12/1999	Zaidman	.....	D6/510
D. 417,985	12/1999	Zaidman	.....	D6/510

**OTHER PUBLICATIONS**

Simmons Little Folks Catalog, Carlisle Dressing Table Drawer, No. 0133, 1994.

Palliser Furniture catalogue photos series 626 WF3B, 626 WF1B, and Series 624-WF2B, 624-WF1A, 624-WF1B all dated Jul. 1997.

*Primary Examiner*—Cathron B. Matta

[57] **CLAIM**

The ornamental design for a drawer panel, as shown and described.

**DESCRIPTION**

FIG. 1 is a front, right side perspective view of a drawer

panel showing my design, and the front, left side perspective view is a mirror image;

FIG. 2 is a front view of the drawer panel of FIG. 1;

FIG. 3 is a front, right side perspective view of a second embodiment of a drawer panel showing my design, and a front, left side perspective view is a mirror image;

FIG. 4 is a front view of the drawer panel of FIG. 3;

FIG. 5 is a front, right side perspective view of a third embodiment of a drawer panel showing my design and the front, left side perspective view is a mirror image;

FIG. 6 is a front view of the drawer panel of FIG. 5;

FIG. 7 is a cross sectional view at 7—7 in FIG. 2 and is representative of similar cross sections of the drawer panels in FIGS. 4 and 6;

FIG. 8 is a front, right side perspective view of a fourth embodiment of a drawer panel showing my design and the front, left side perspective view is a mirror image;

FIG. 9 is a front view of the drawer panel of FIG. 8;

FIG. 10 is a front, right side perspective view of a fifth embodiment of a drawer panel showing my design and the front, left side perspective view is a mirror image;

FIG. 11 is a front view of the drawer panel of FIG. 10;

FIG. 12 is a cross section at 12—12 in FIG. 9 and is also representative of a similar cross section of the drawer panel in FIG. 11;

FIG. 13 is a front, right side perspective view of a sixth embodiment of a drawer panel showing my design and the front, left side perspective view is a mirror image;

FIG. 14 is a front view of the drawer panel of FIG. 13;

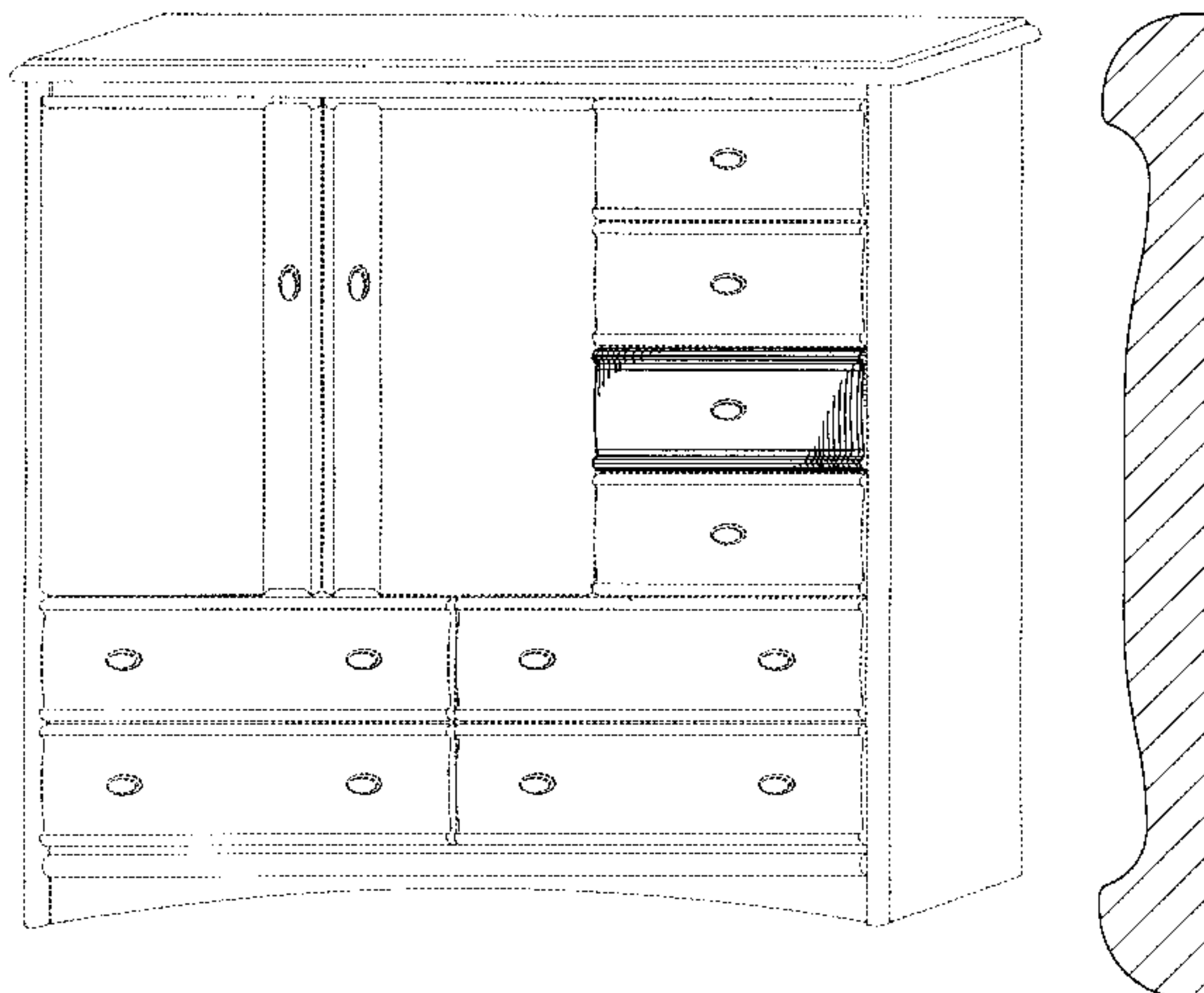
FIG. 15 is a front, right side perspective view of a seventh embodiment of a drawer panel showing my design and the front, left side perspective is a mirror image;

FIG. 16 is a front view of the drawer panel of FIG. 15; and,

FIG. 17 is a cross sectional view at 17—17 in FIG. 14 and is representative of a similar cross section of the drawer panel in FIG. 16.

The features shown in broken lines do not form part of the claimed design.

**1 Claim, 17 Drawing Sheets**



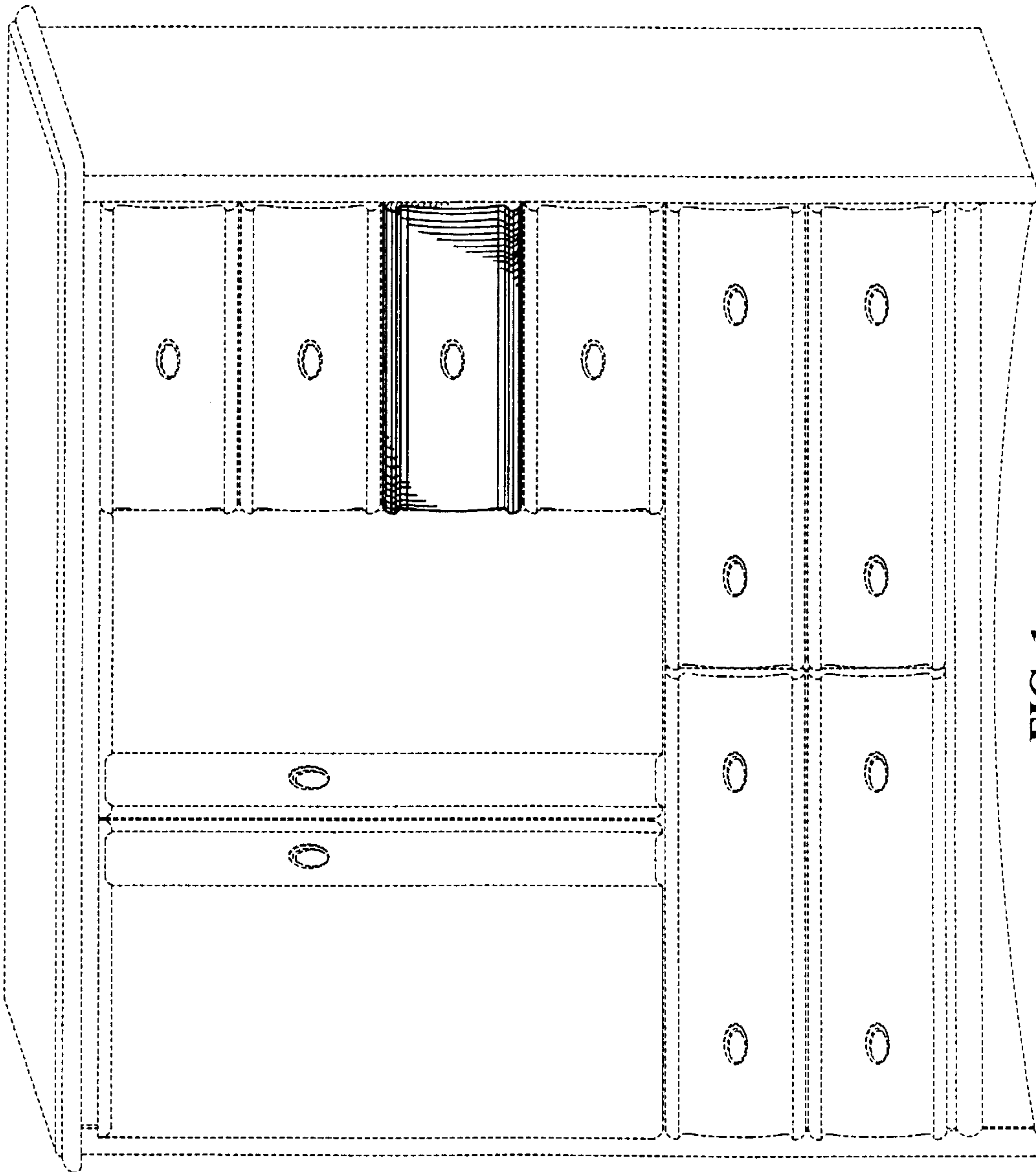


FIG. 1

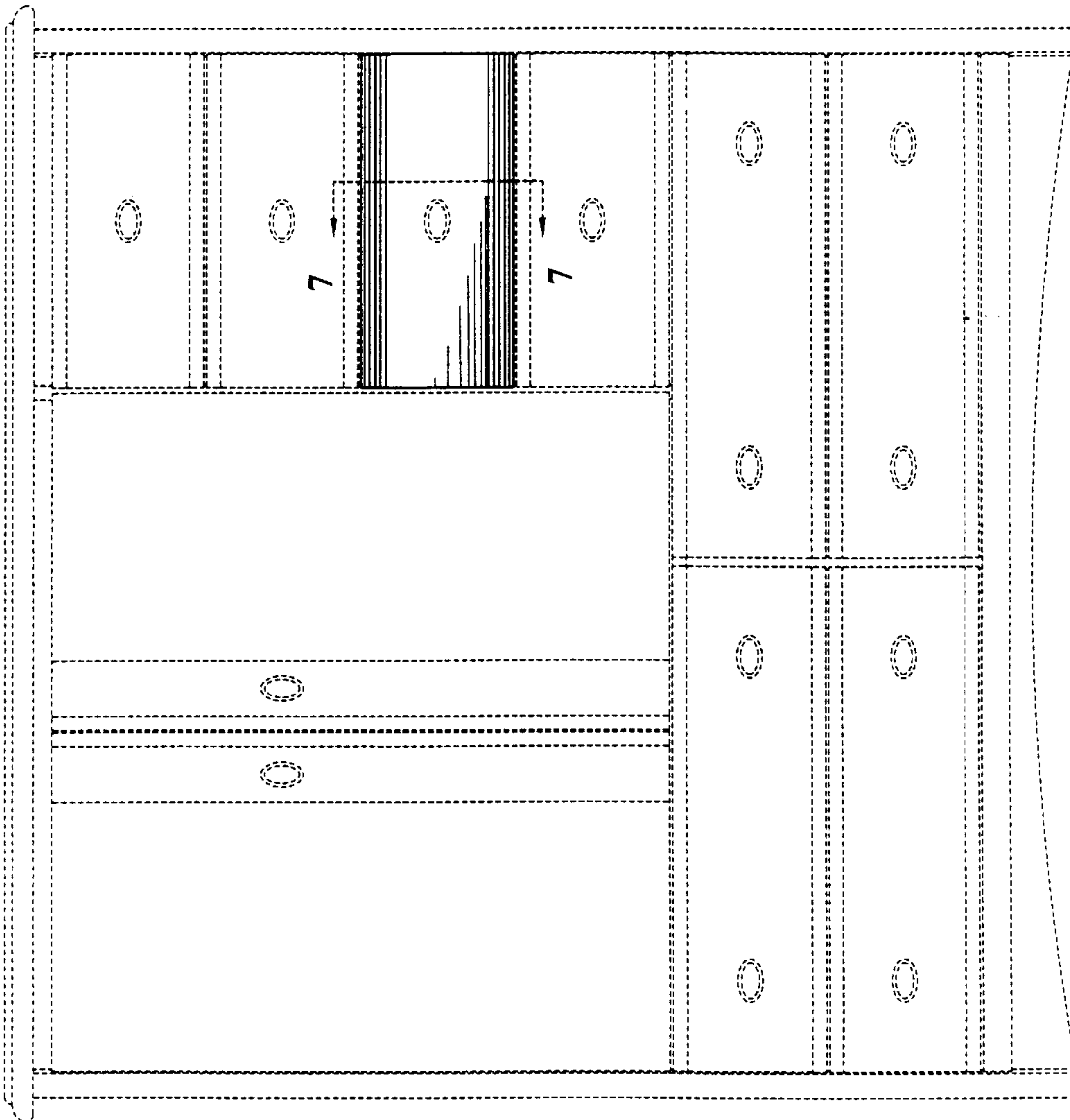


FIG. 2

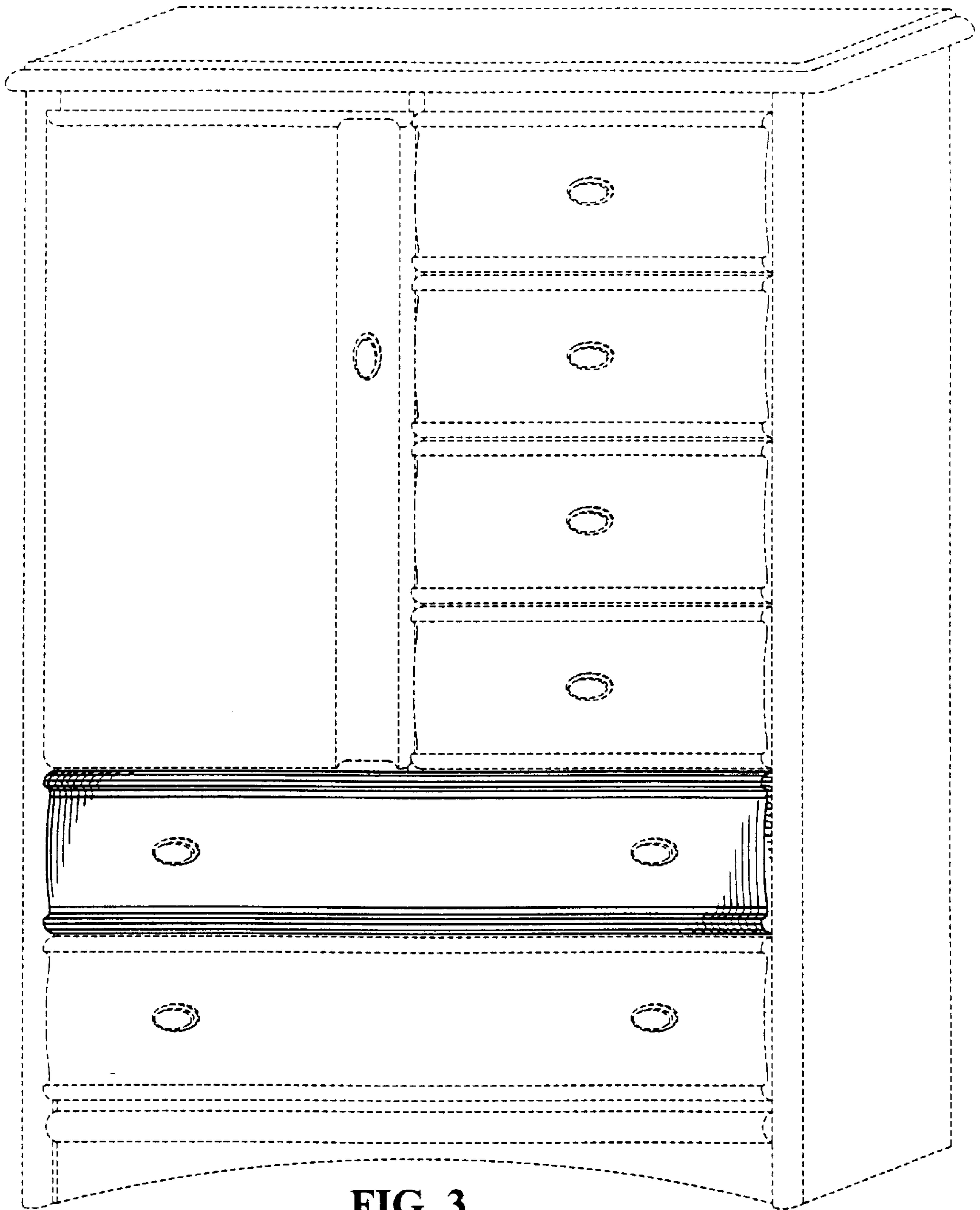


FIG. 3



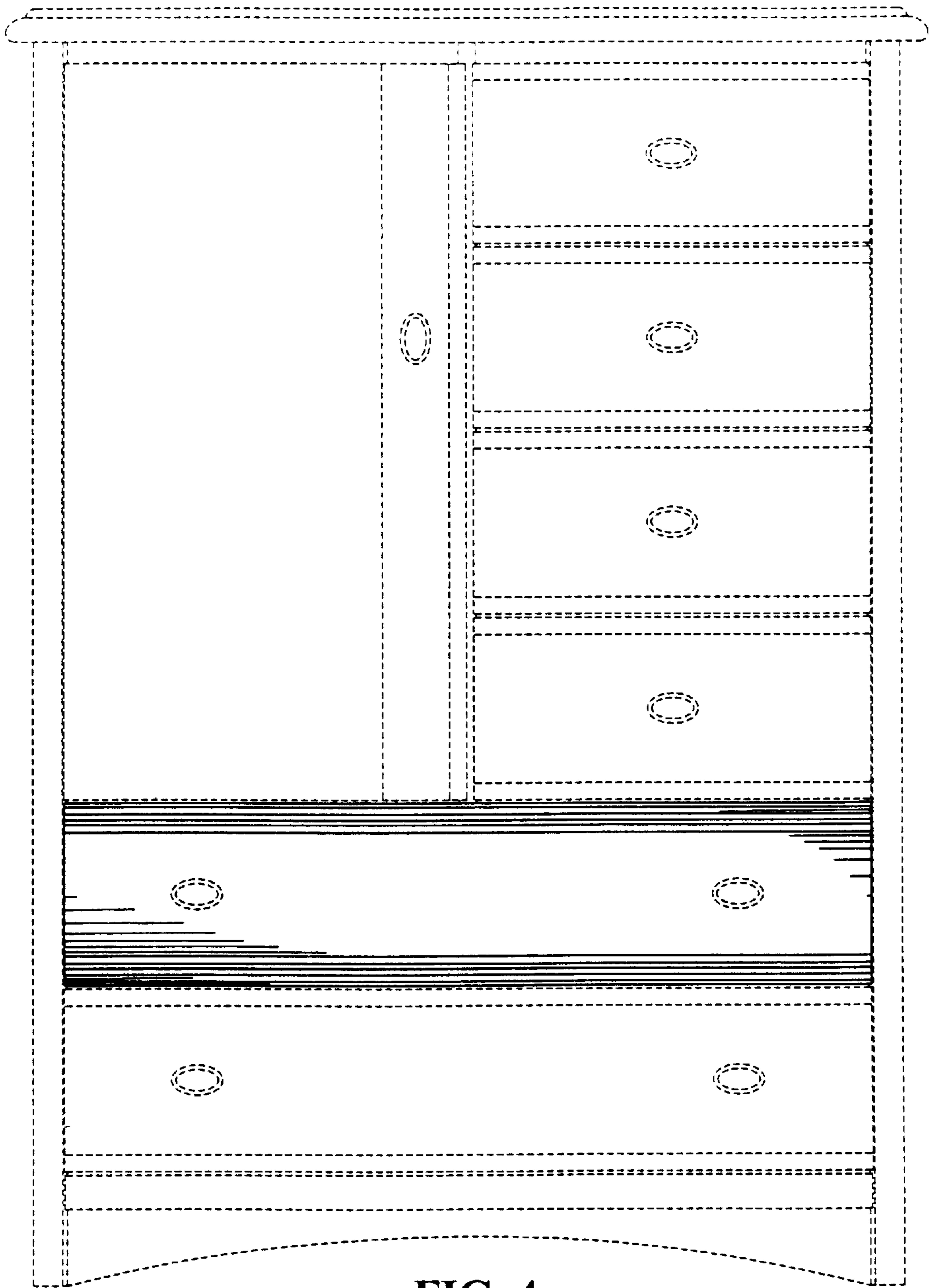


FIG. 4

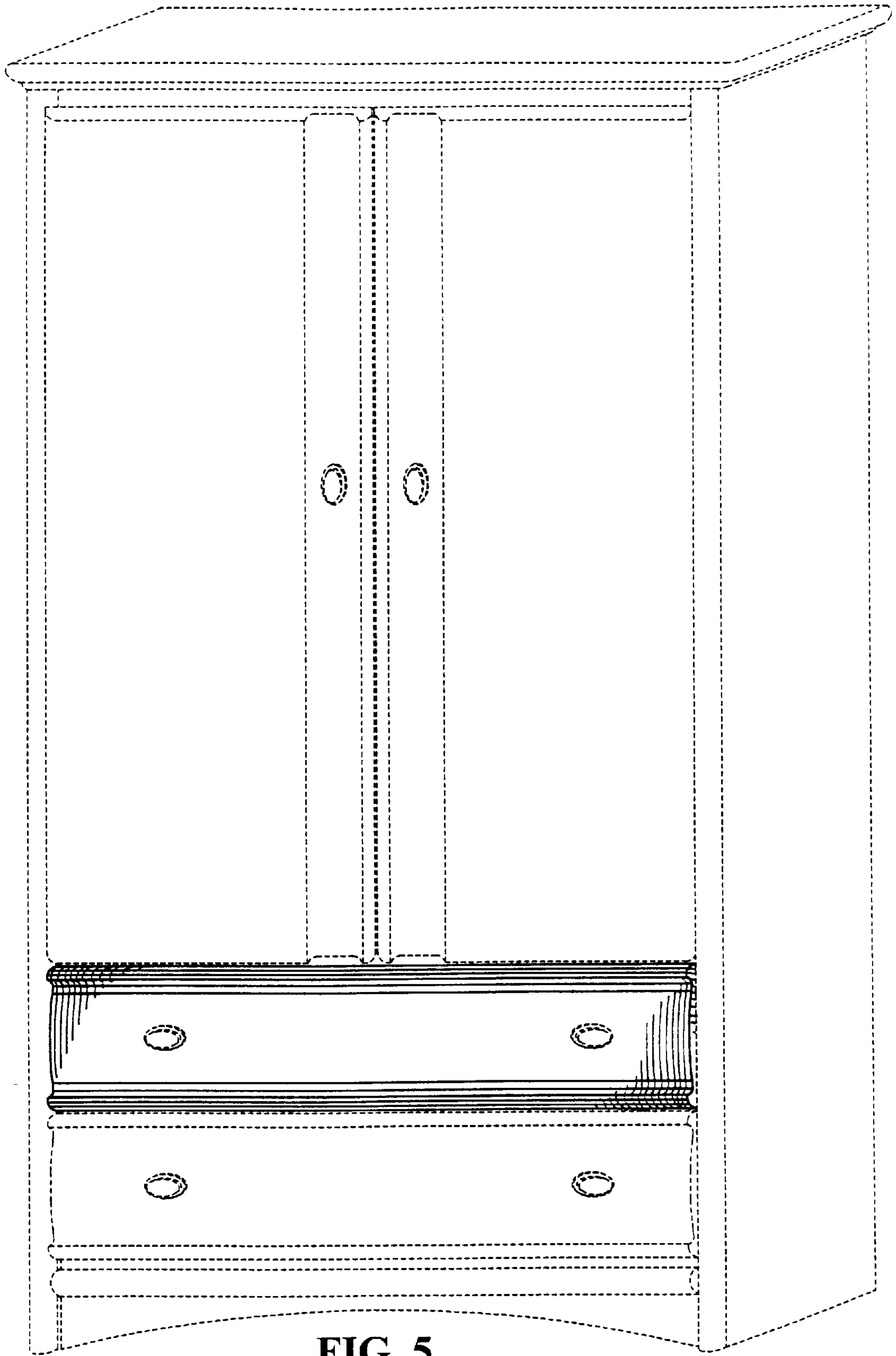


FIG. 5

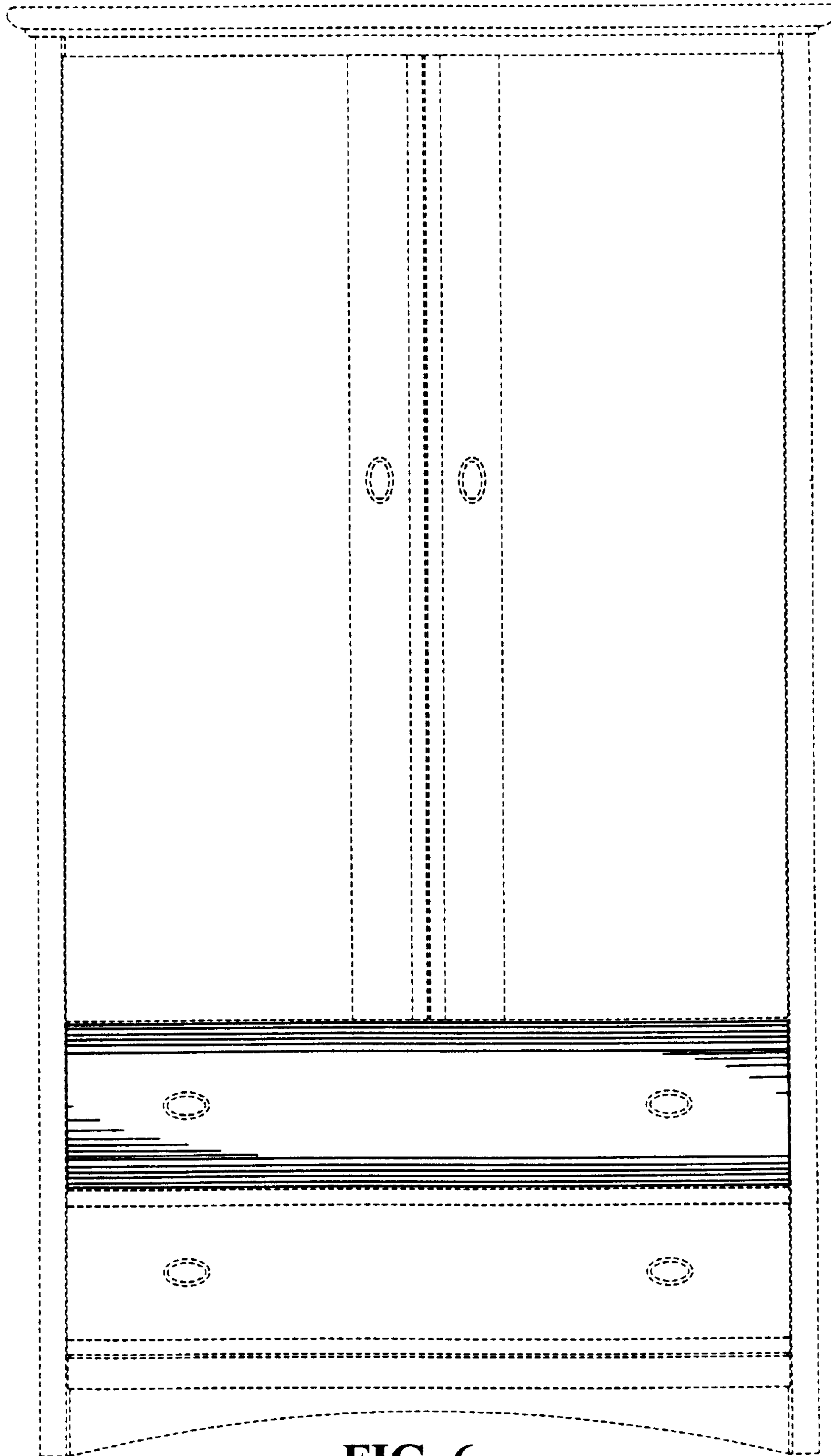
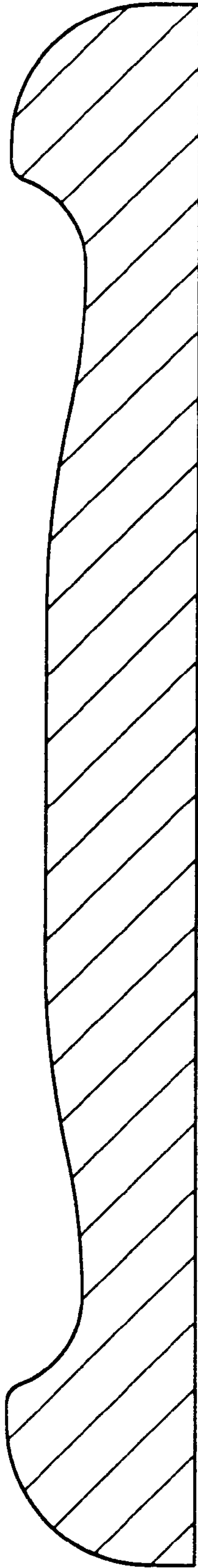


FIG. 6



**FIG. 7**



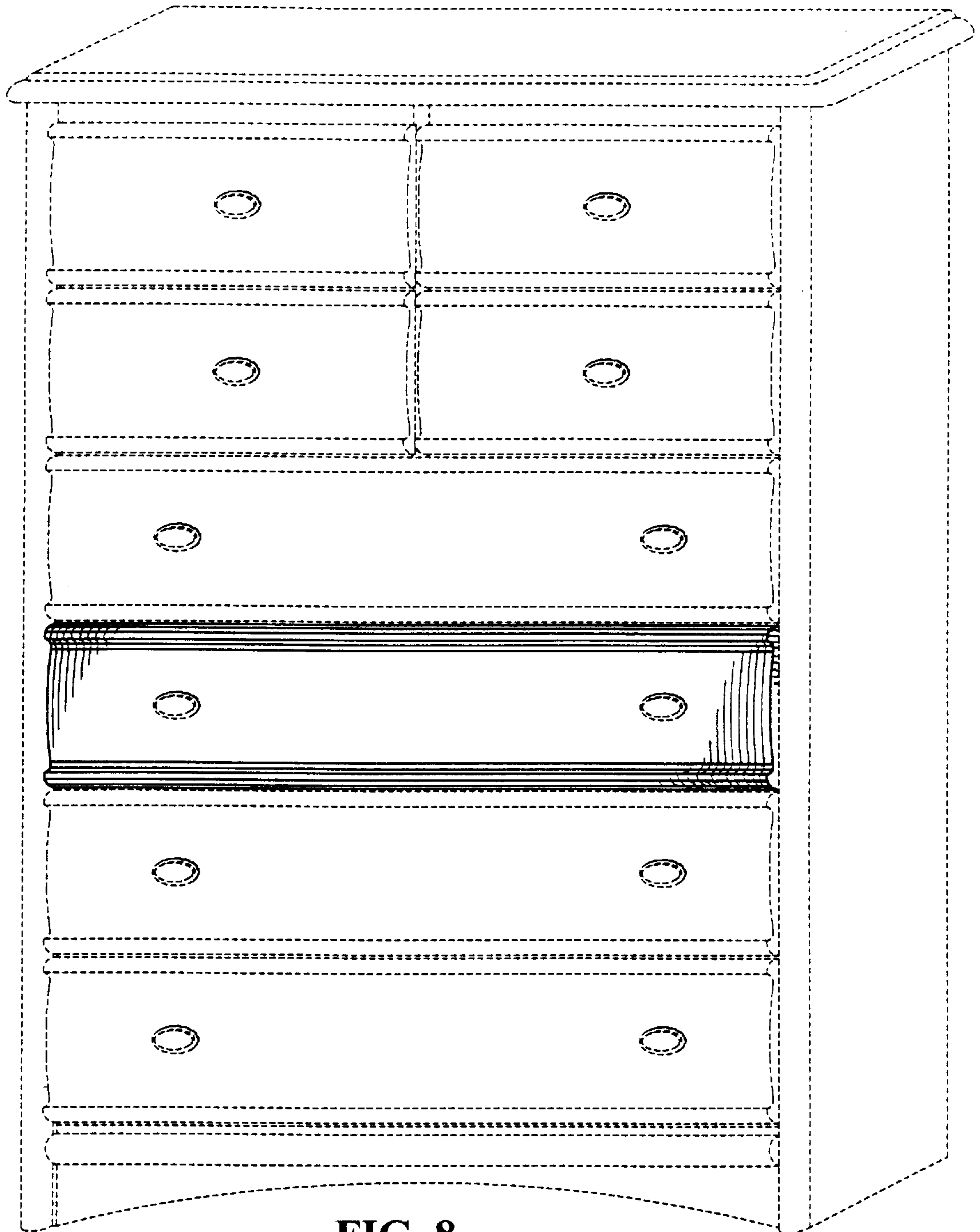


FIG. 8

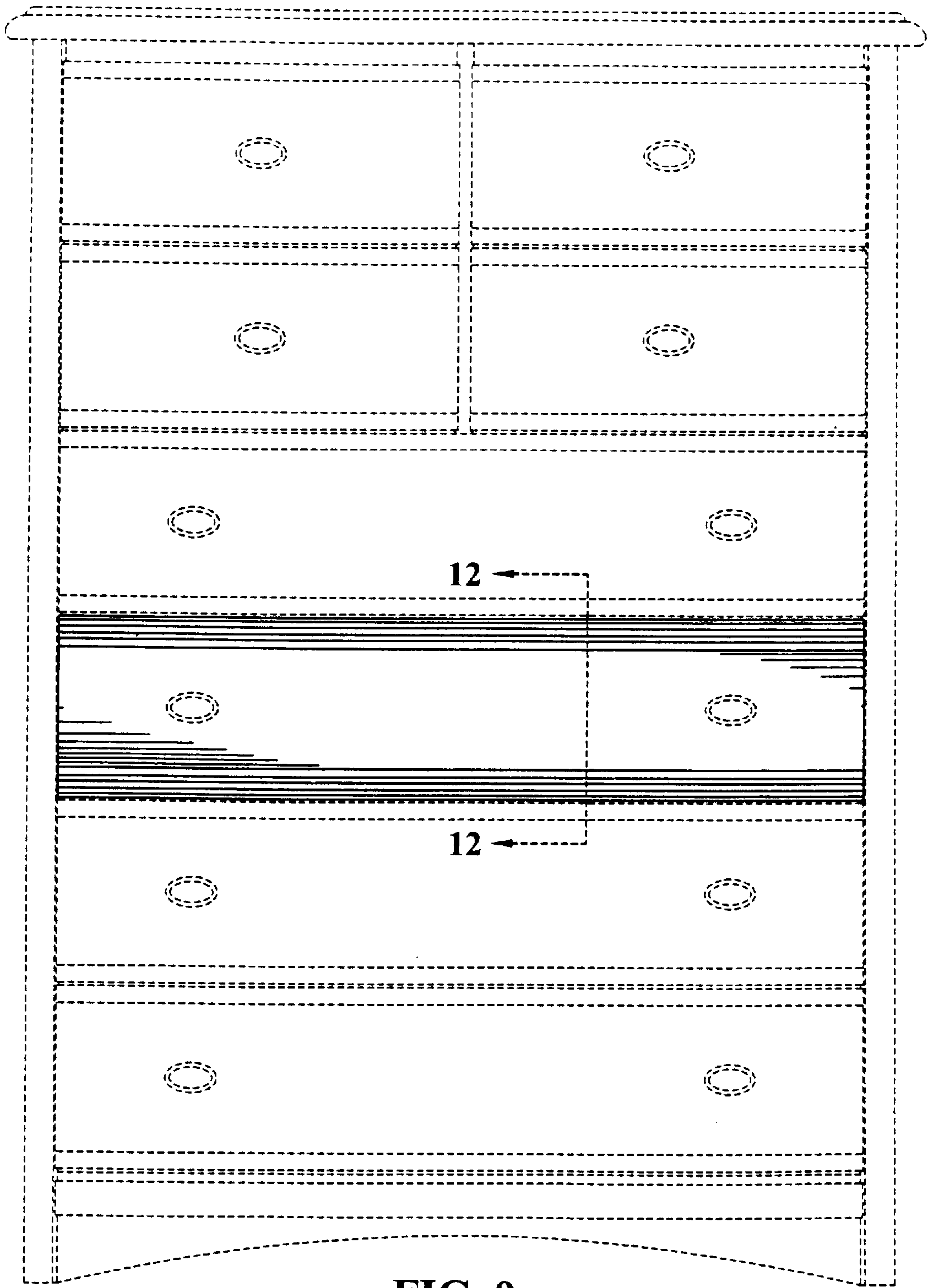


FIG. 9

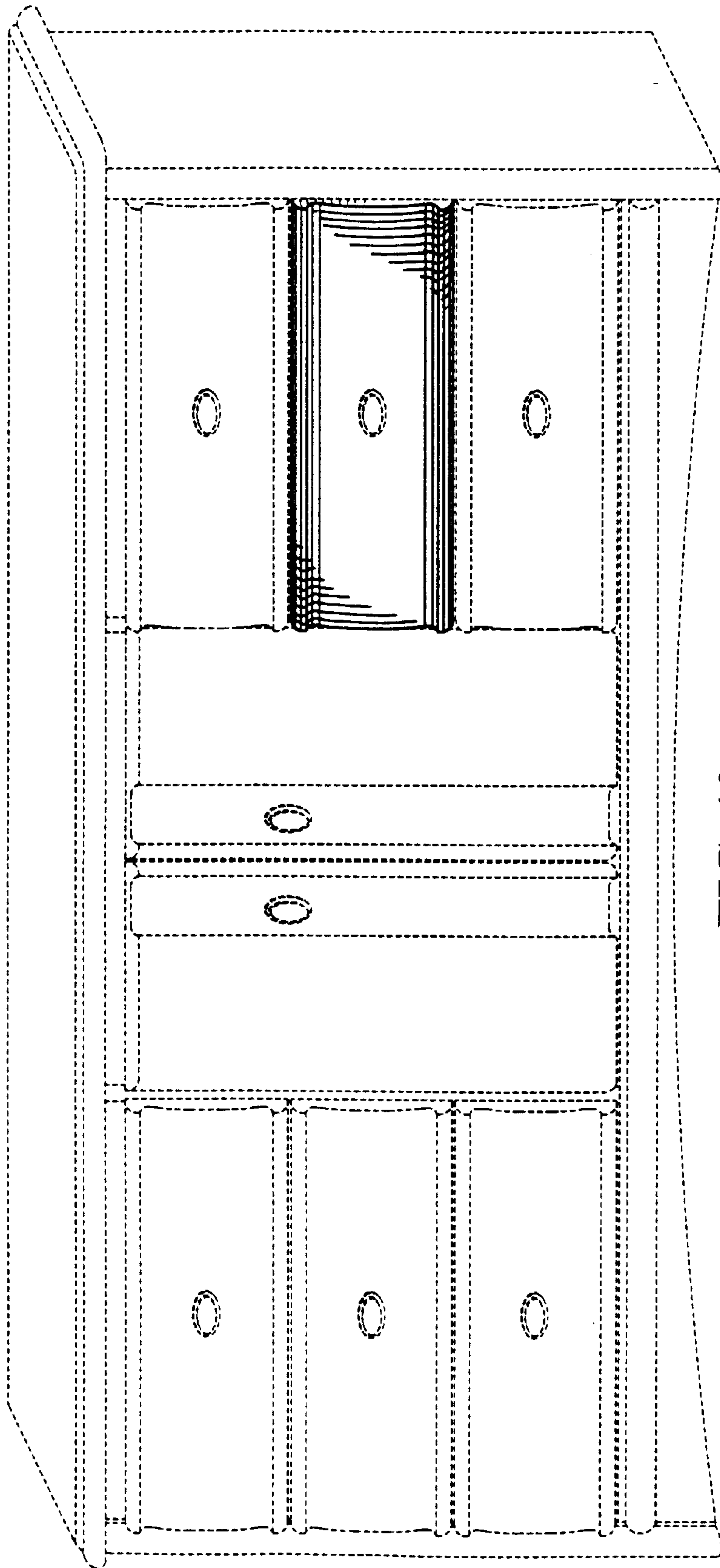


FIG. 10

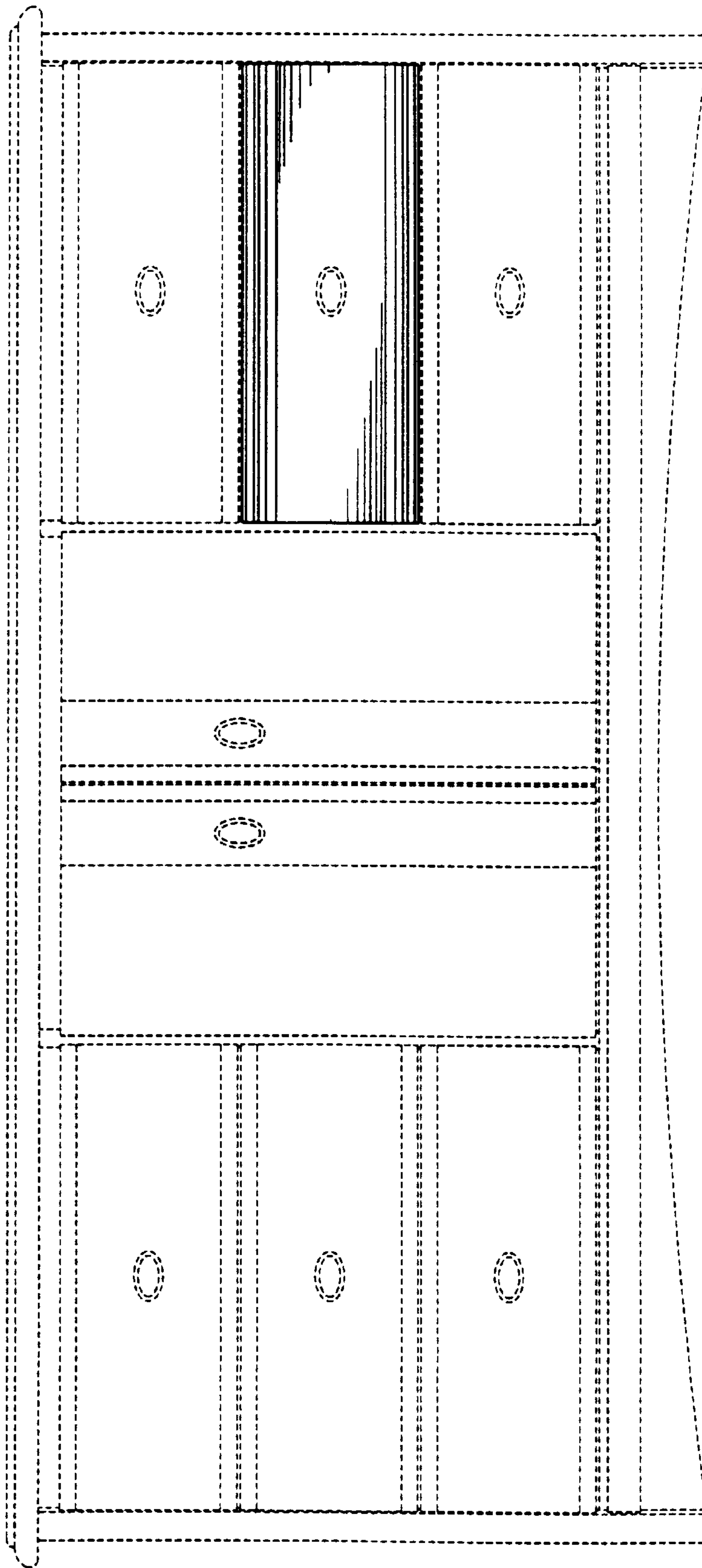
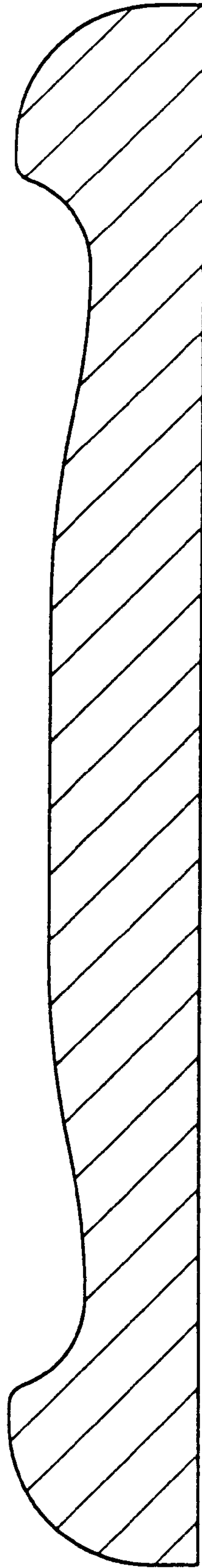


FIG. 11



**FIG. 12**



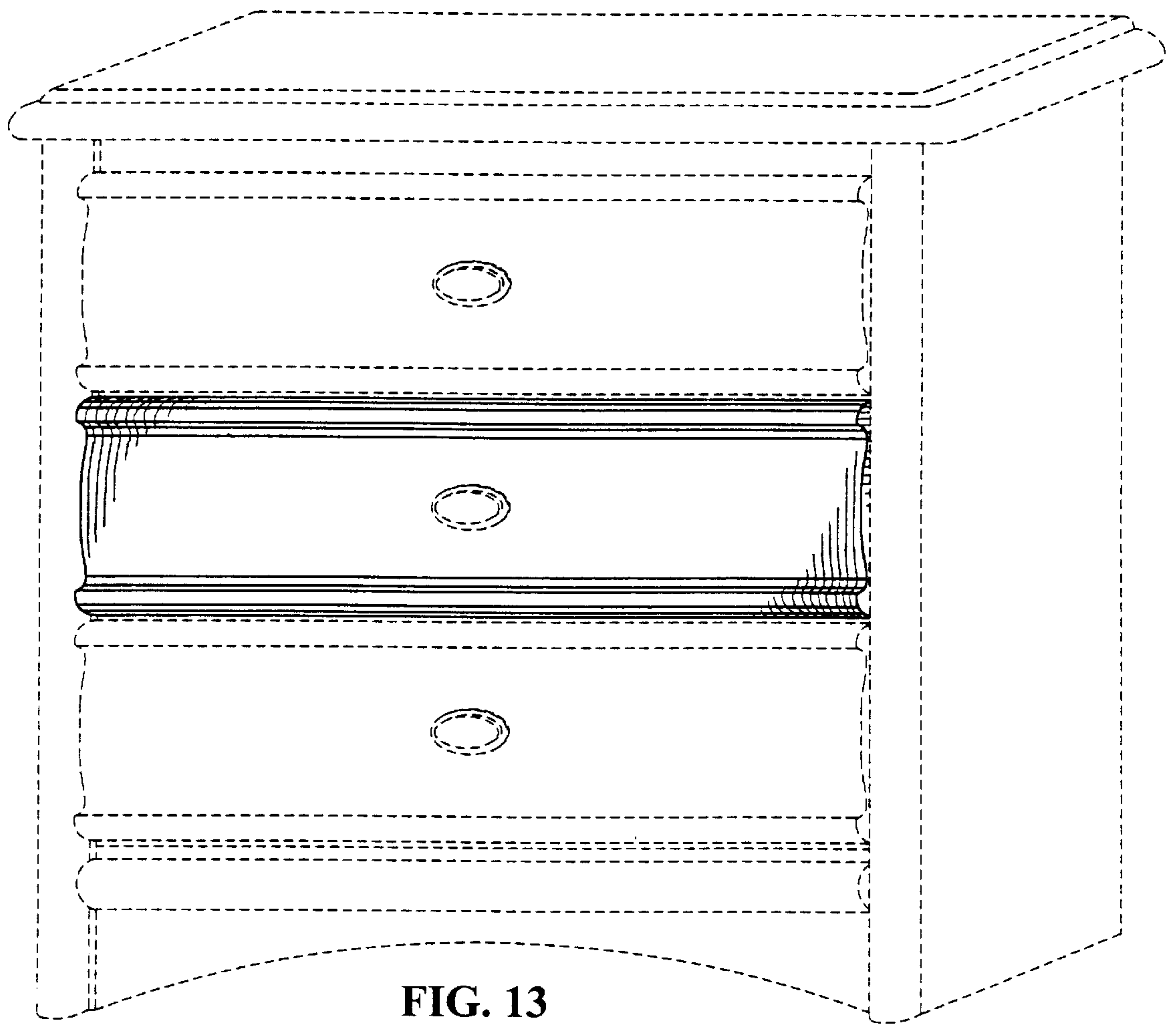


FIG. 13

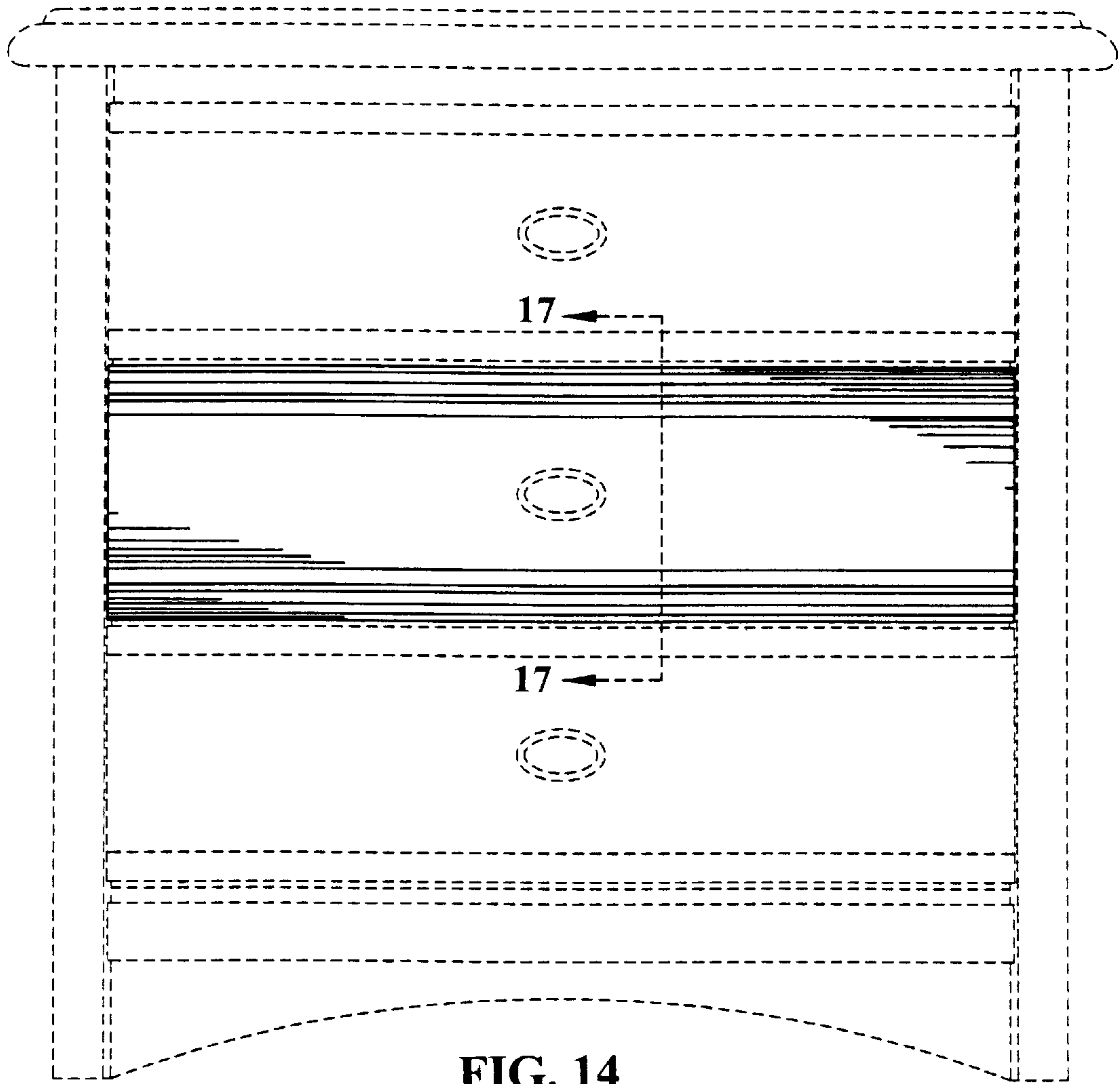


FIG. 14

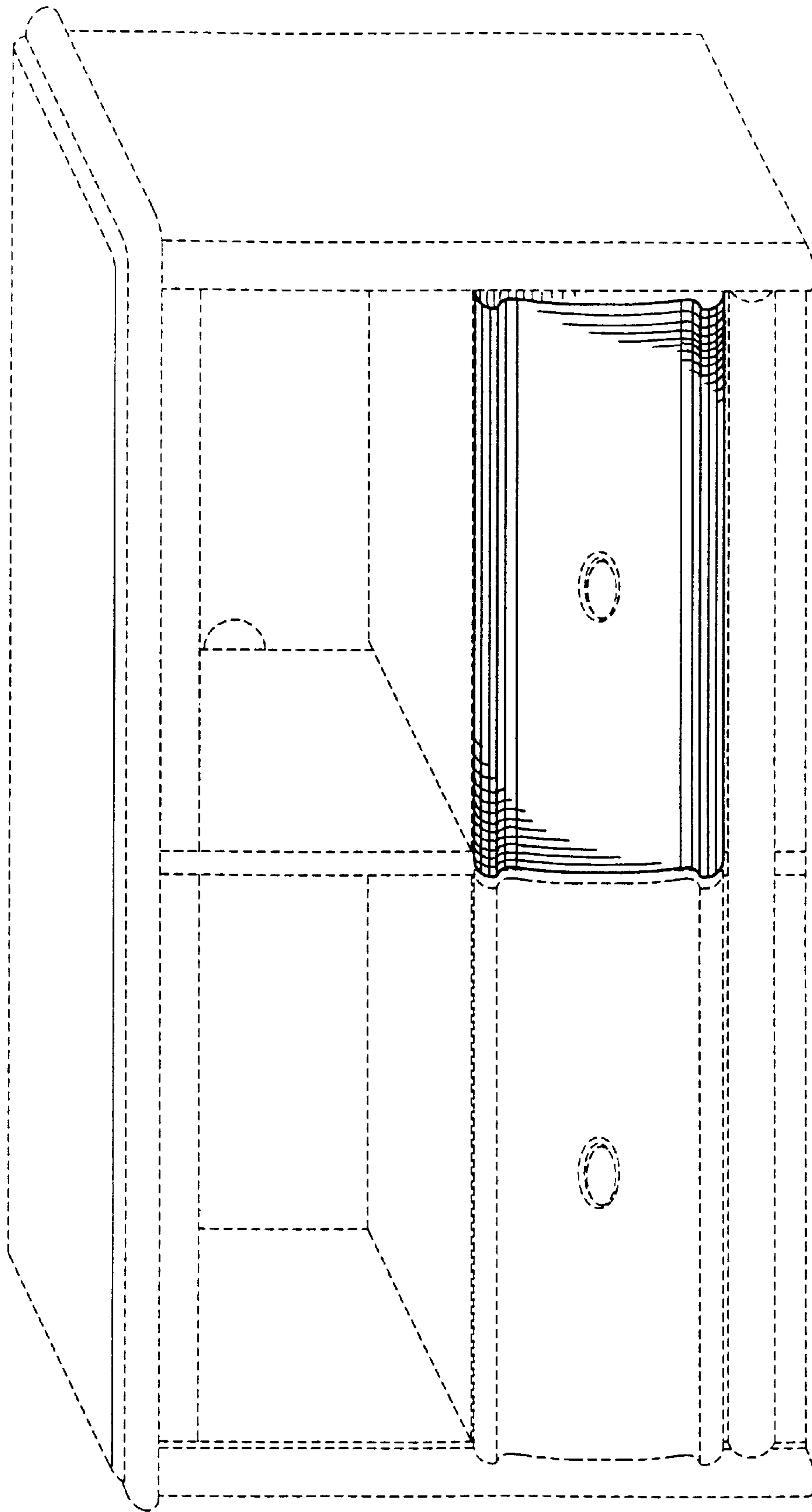


FIG. 15

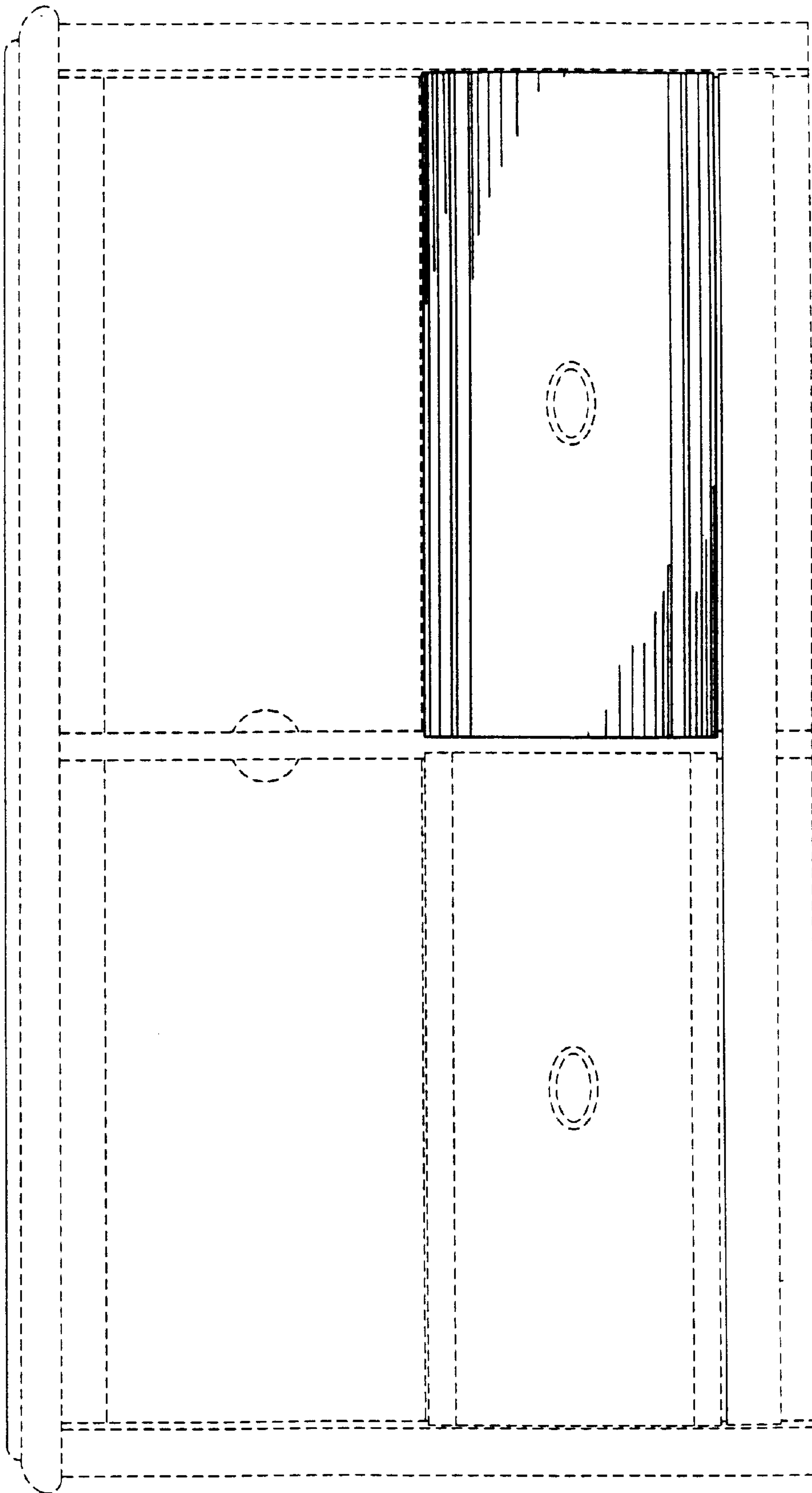
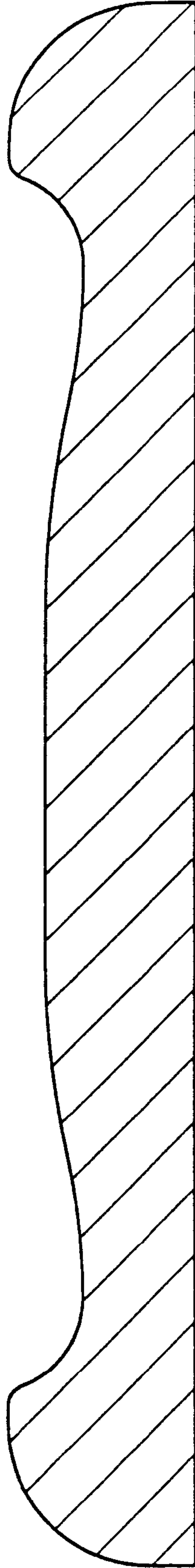


FIG. 16



**FIG. 17**