



US00D435183S

**United States Patent** [19]  
**DeWitt**

[11] **Patent Number: Des. 435,183**

[45] **Date of Patent: \*\* Dec. 19, 2000**

[54] **CURVED CHECKSTAND COUNTER**

2,599,909 6/1952 George ..... 186/67  
2,741,523 4/1956 George ..... 312/140.1 X

[75] Inventor: **Wayne DeWitt**, Jacksonville, Fla.

*Primary Examiner*—Cathron B. Matta  
*Attorney, Agent, or Firm*—Allen, Dyer, Doppelt, Milbrath & Gilchrist, P.A.

[73] Assignee: **Load King Manufacturing Company**, Jacksonville, Fla.

[\*\*] Term: **14 Years**

[57] **CLAIM**

[21] Appl. No.: **29/093,501**

The ornamental design for a curved checkstand counter, as shown and described.

[22] Filed: **Sep. 11, 1998**

**DESCRIPTION**

**Related U.S. Application Data**

FIG. 1 is a top plan view of my curved checkstand counter; FIG. 2 is rear elevation view thereof; FIG. 3 is a right side view thereof; FIG. 4 is a left side view thereof; FIG. 5 is a elevation view thereof; FIG. 6 is a bottom plan view thereof; and, FIG. 7 is a top, right, and front perspective view thereof. The broken line showing of portions of a checkstand are for illustrative purposes only and form no part of the claimed design. The broken line showing of trim on the claimed portion of the curved checkstand counter forms no part of the claimed design and divides the design into three areas; an upper edge, a middle wall and a lower wall. The drafting break lines define the bounds of the claimed design and form no part thereof.

[63] Continuation-in-part of application No. 29/090,298, Jul. 6, 1998.

[51] **LOC (7) Cl.** ..... **06-06**

[52] **U.S. Cl.** ..... **D6/509; D6/402**

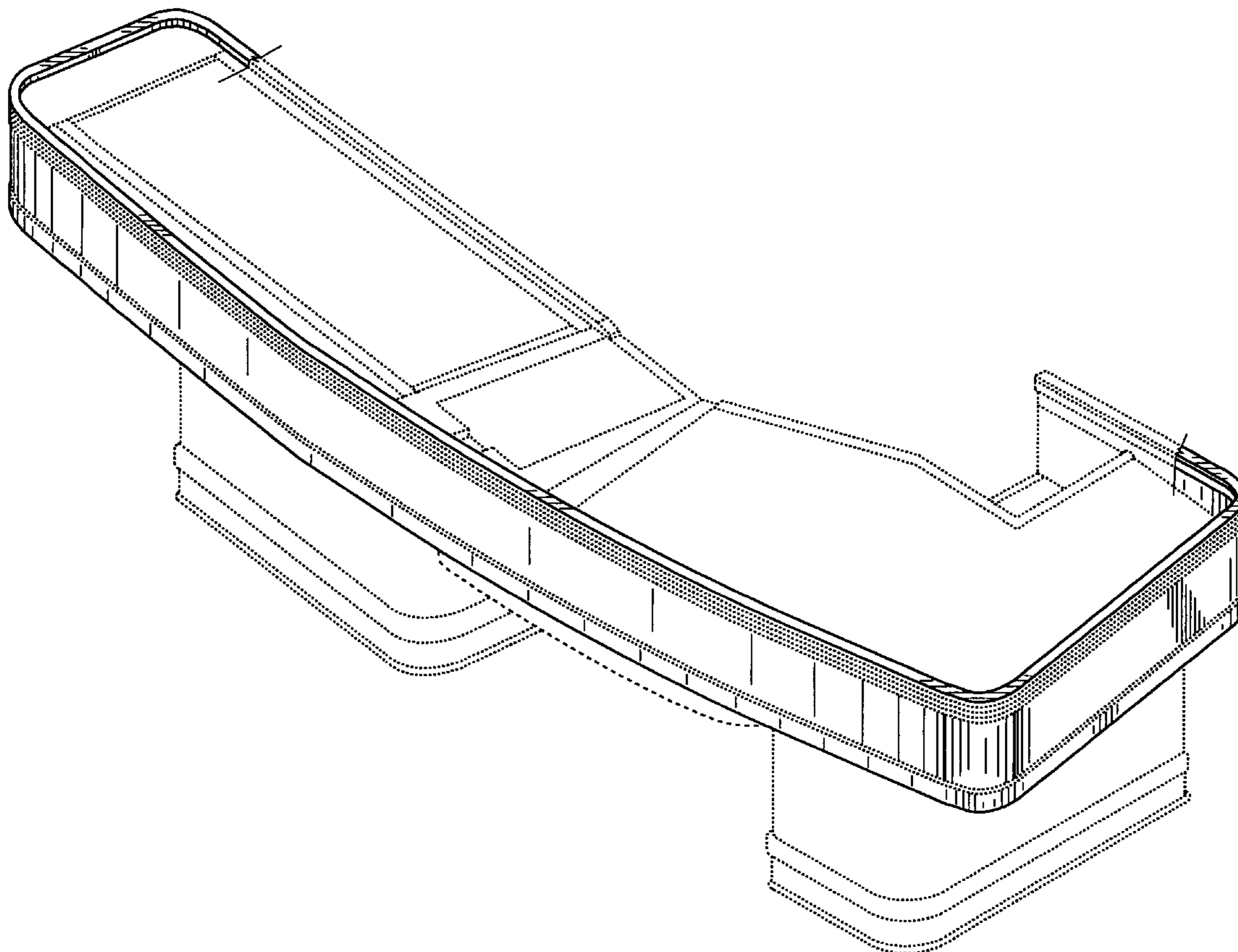
[58] **Field of Search** ..... D6/402, 396, 397, D6/421, 491, 492, 509; 312/140.01; 186/59-68

[56] **References Cited**

**U.S. PATENT DOCUMENTS**

- D. 304,529 11/1989 Hontz ..... D6/421
- D. 377,272 1/1997 Dewitt ..... D6/402
- D. 378,715 4/1997 Dewitt ..... D6/402
- D. 396,573 8/1998 Dewitt ..... D6/402

**1 Claim, 6 Drawing Sheets**



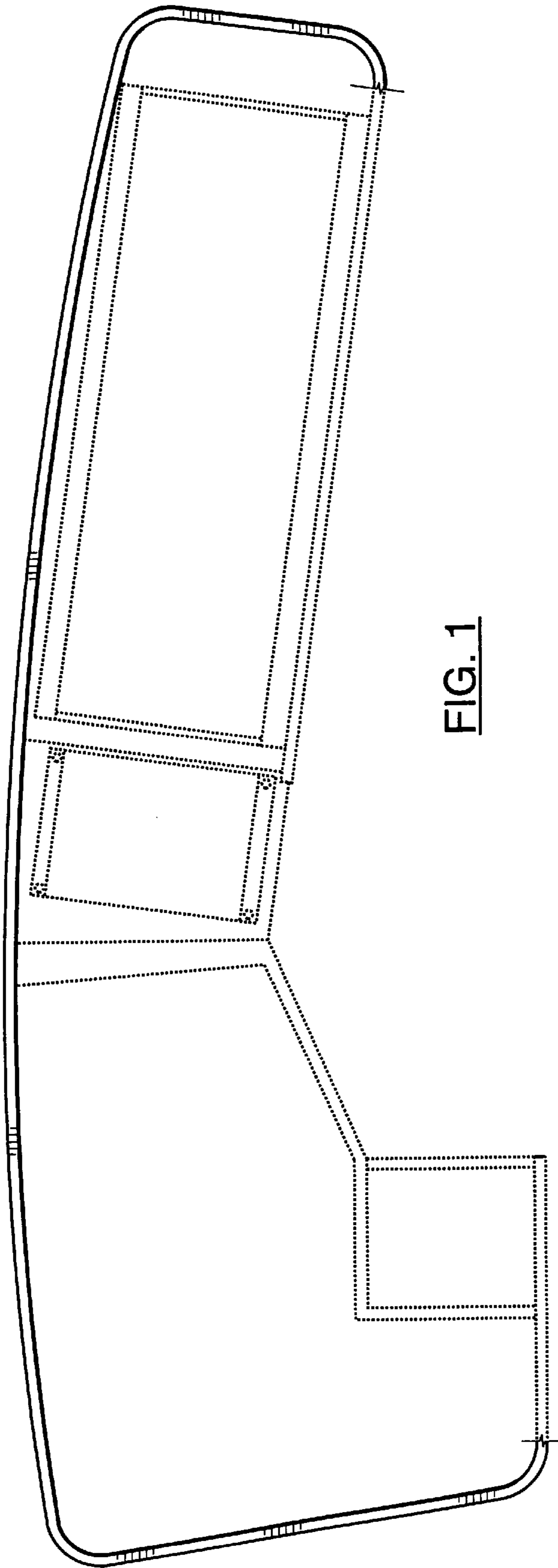


FIG. 1

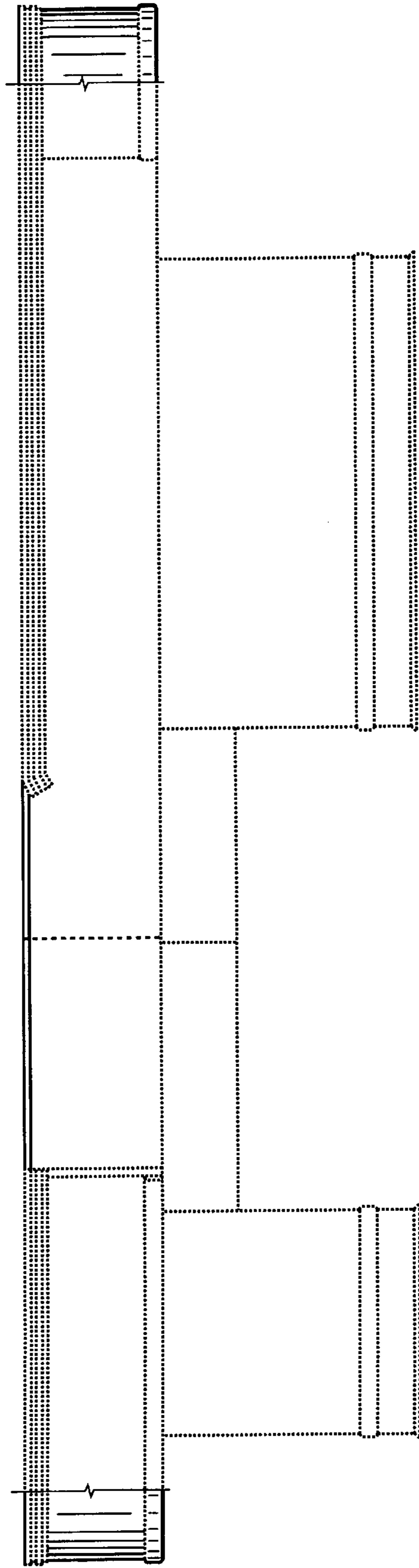


FIG. 2

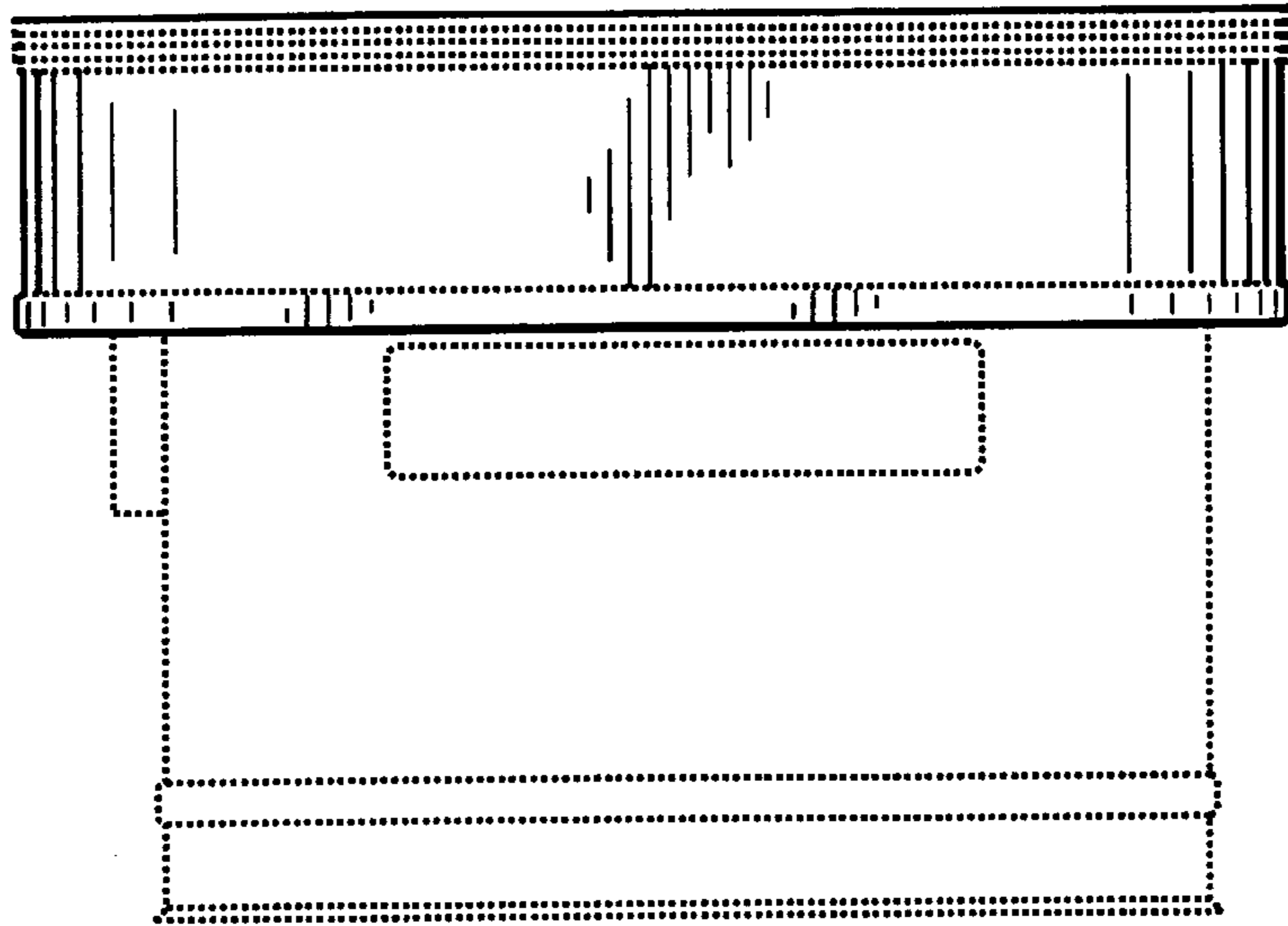


FIG. 3

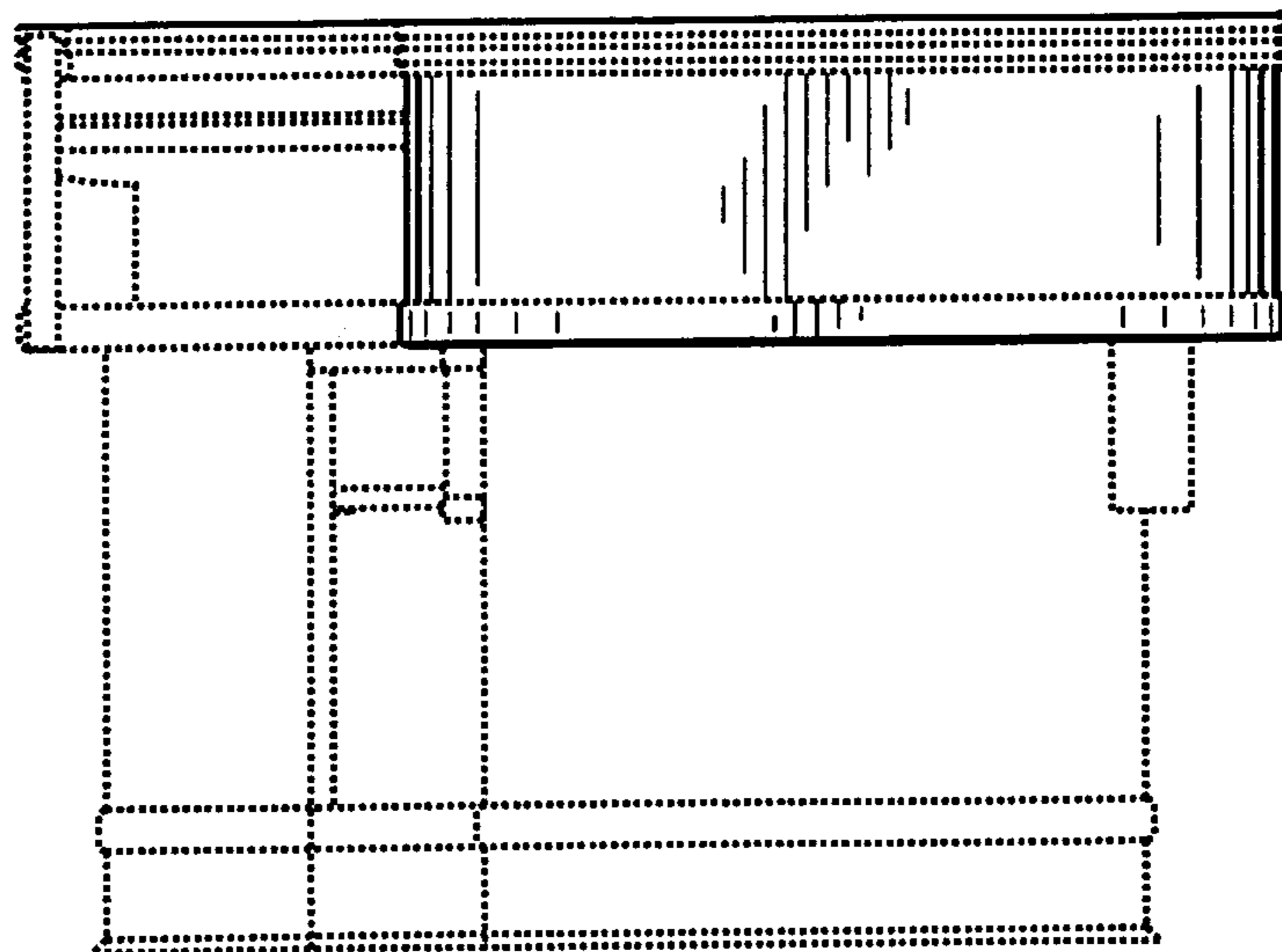


FIG. 4

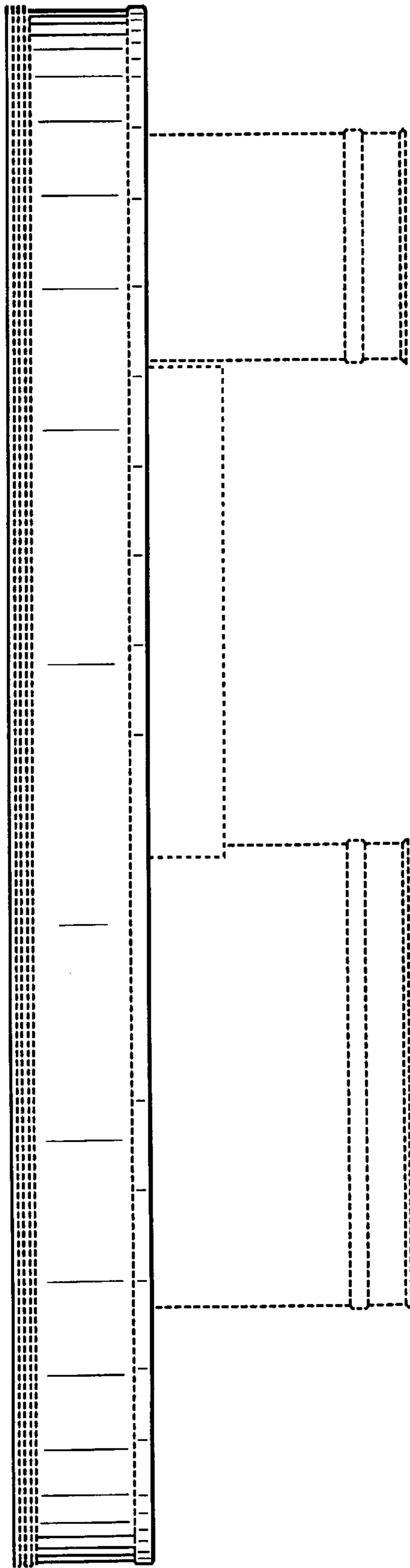


FIG. 5

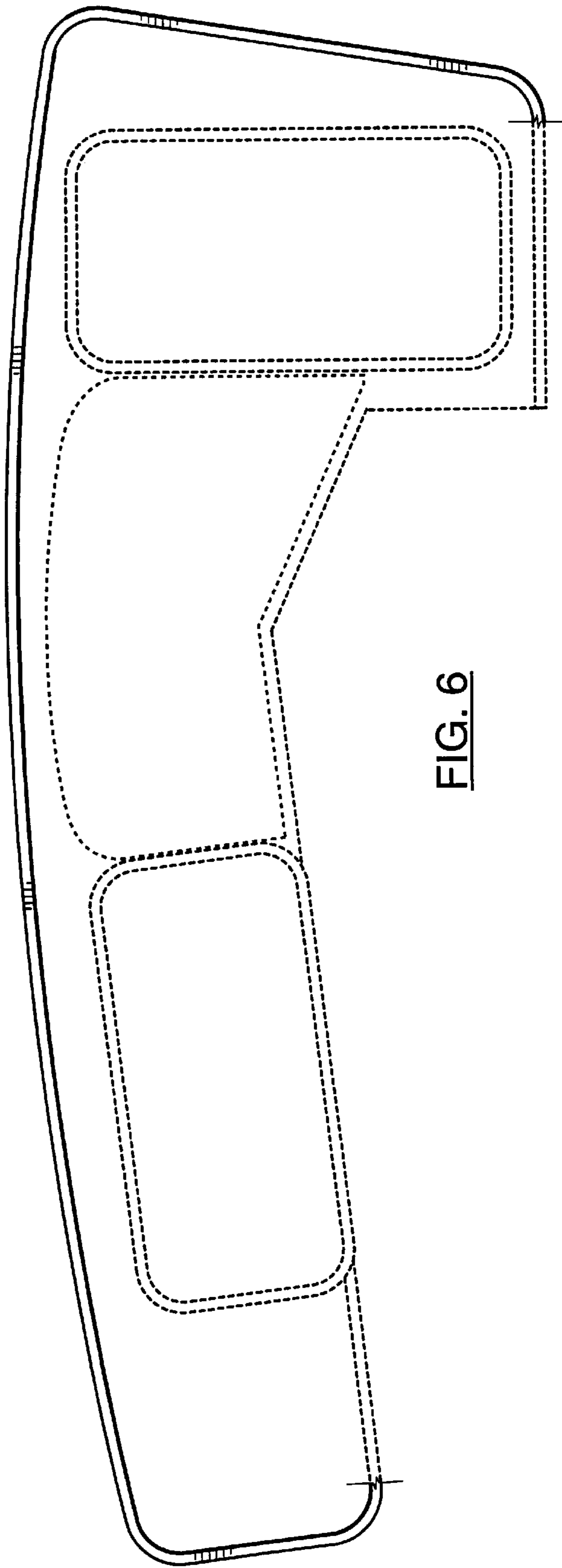


FIG. 6

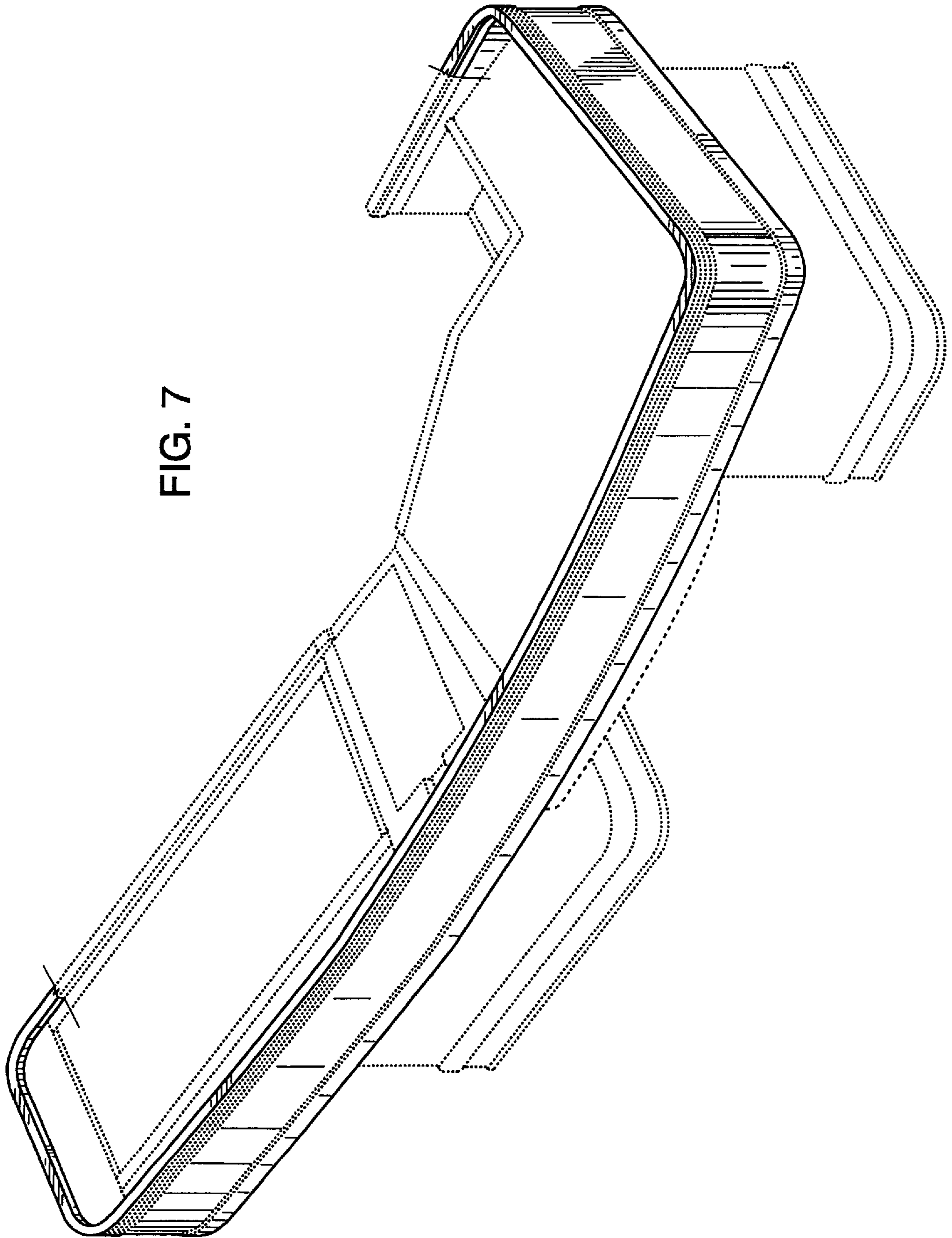


FIG. 7