



US00D435171S

# United States Patent [19] Anderson

[11] Patent Number: Des. 435,171

[45] Date of Patent: \*\* Dec. 19, 2000

[54] MAGNETIC PAD FOR HANDBAG STRAP

[76] Inventor: Jerry P. Anderson, 248 Highmeadow Dr., Gahanna, Ohio 43230

[\*\*] Term: 14 Years

[21] Appl. No.: 29/122,031

[22] Filed: Apr. 18, 2000

[51] LOC (7) Cl. .... 03-99

[52] U.S. Cl. .... D3/327

[58] Field of Search ..... 224/264, 643, 224/651, 901.4, 600, 901.2, 268; 150/107, 110; D3/318, 327, 243, 245, 226, 287; 2/267, 460; 297/482

[56] **References Cited**

U.S. PATENT DOCUMENTS

D. 275,153	8/1984	Weinreb	.....	D3/327
D. 297,386	8/1988	Martin	.....	D3/287
D. 318,372	7/1991	MacKay	.....	D3/319
D. 419,763	2/2000	Wiebe	.....	D3/245 X
D. 426,707	6/2000	Huang et al.	.....	D3/327
4,693,495	9/1987	LaPointe	.....	297/482 X
4,879,768	11/1989	McClees et al.	.....	224/264
5,215,333	6/1993	Knight	.....	297/482 X
5,566,871	10/1996	Weintraub	.....	224/264
5,595,332	1/1997	Freedman	.....	224/264

Primary Examiner—Louis S. Zarfes  
Assistant Examiner—Robert A. Delehanty  
Attorney, Agent, or Firm—Roy A. Ekstrand

[57] **CLAIM**

The ornamental design for a magnetic pad for handbag strap, as shown and described.

**DESCRIPTION**

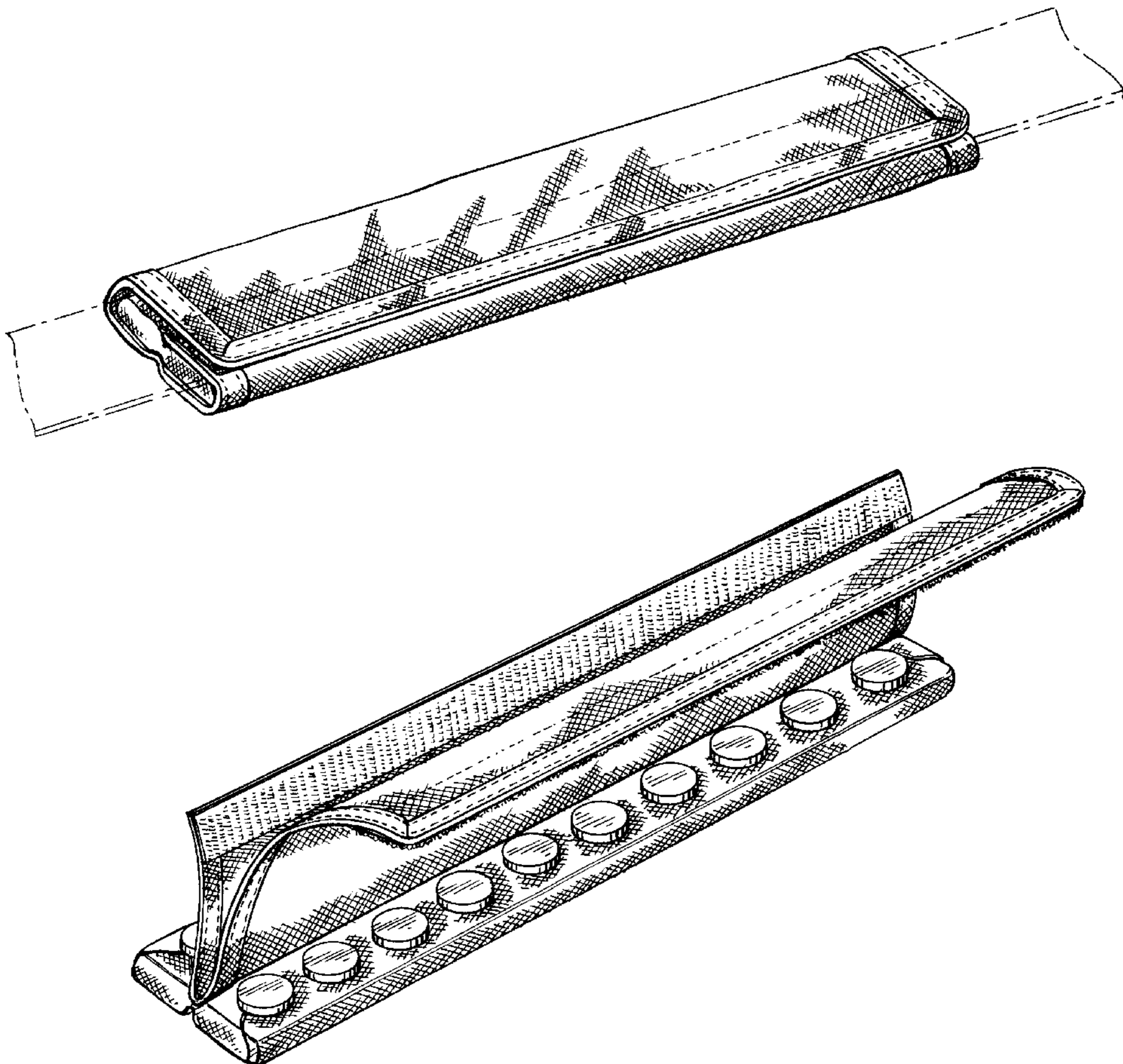
FIG. 1 sets forth a perspective view of a magnetic pad for handbag strap showing the present invention new design; FIG. 2 is a right side view thereof, the left side view being a mirror image thereof; FIG. 3 is a top view thereof; FIG. 4 is a front view thereof; FIG. 5 is a rear view thereof; FIG. 6 is a bottom view thereof; and, FIG. 7 is a perspective view thereof in its open configuration.

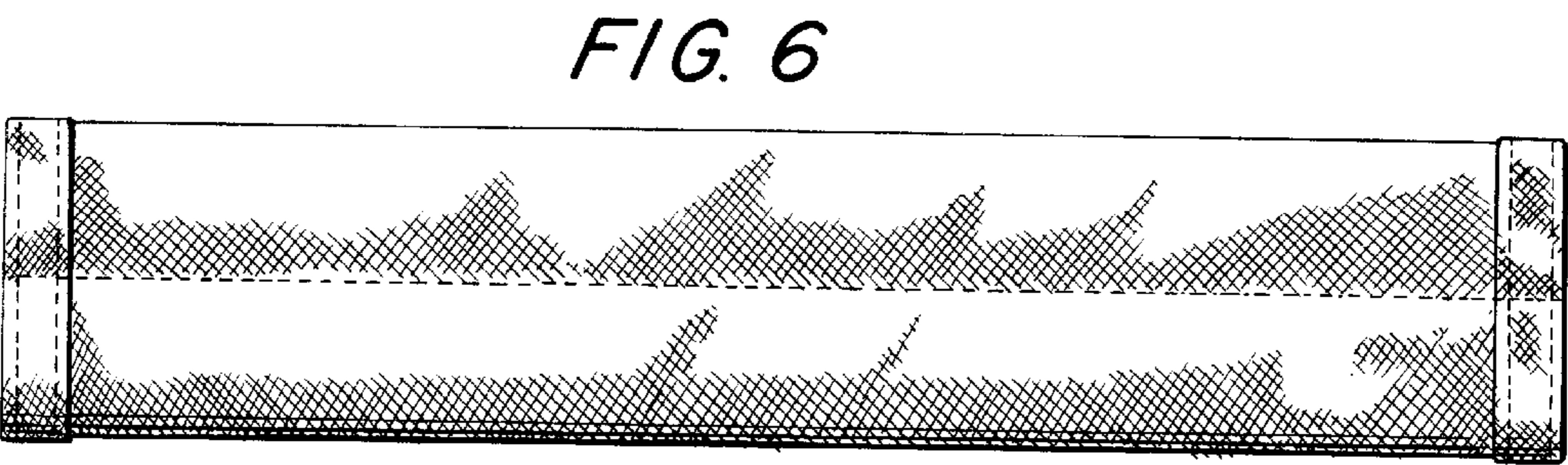
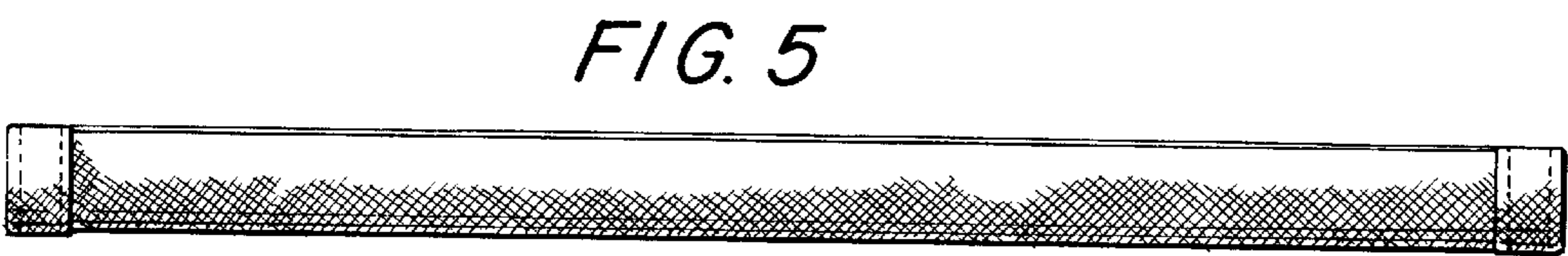
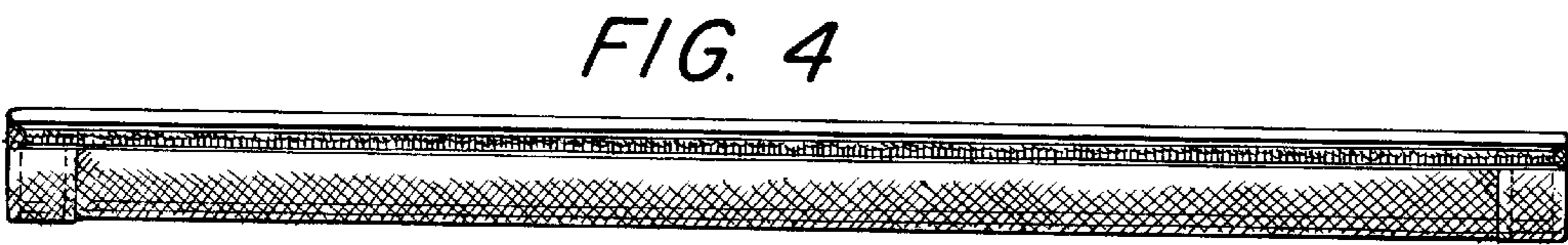
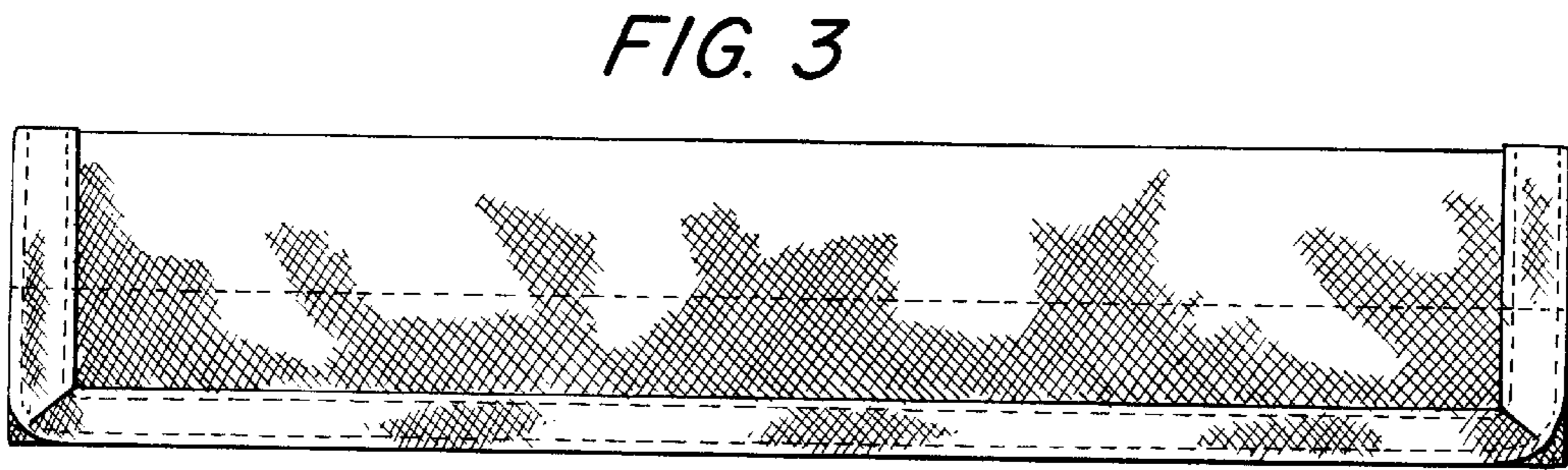
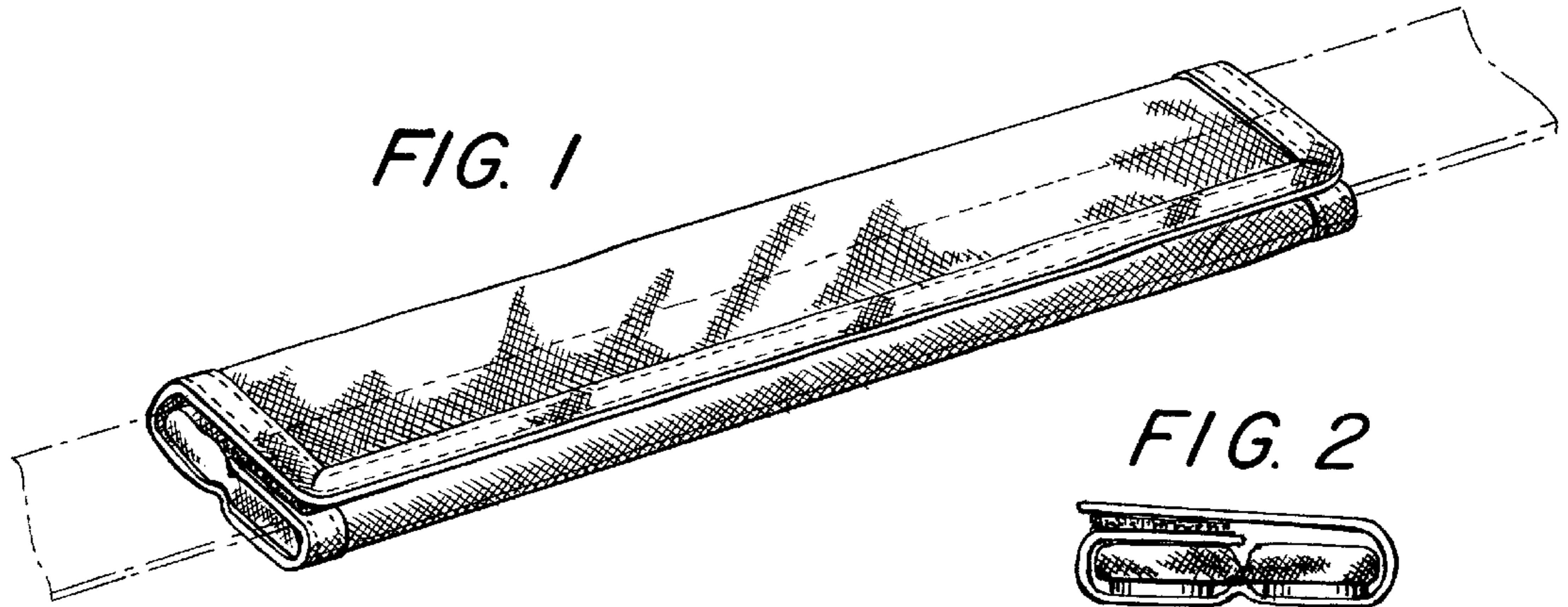
The broken line showing of a partial handbag strap in FIG. 1 of the drawing is for illustrative purposes only and forms no part of the claimed design.

The fragmentary criss-cross pattern shown in the drawing is understood to represent fabric and is repeated uniformly throughout the areas shown.

The broken lines on the magnetic pad in the drawing are understood to represent stitching.

**1 Claim, 2 Drawing Sheets**





*FIG. 7*

