



US00D435157S

United States Patent [19]

Naft et al.

[11] Patent Number: Des. 435,157

[45] Date of Patent: ** Dec. 12, 2000

[54] **ELECTRIC STEAM IRON**

[75] Inventors: **Stuart Naft**, Fairfield; **Joseph Toro**, Stratford; **Glen Nielsen**, Kent, all of Conn.

[73] Assignee: **HP Intellectual Corp.**, Wilmington, Del.

[**] Term: **14 Years**

[21] Appl. No.: **29/113,853**

[22] Filed: **Nov. 12, 1999**

[51] **LOC (7) Cl.** **07-05**

[52] **U.S. Cl.** **D32/70**

[58] **Field of Search** D32/68, 70; 38/77.1-77.5, 38/74, 69, 79, 77.7, 77.8, 88; 219/245, 254, 273, 275

D. 368,348 3/1996 Loomis et al. D32/70

D. 369,003 4/1996 Figur .

D. 369,005 4/1996 Stützer et al. .

D. 370,103 5/1996 Gudefin .

D. 370,104 5/1996 Gudefin .

D. 373,872 9/1996 Sham .

D. 374,956 10/1996 Hsu .

D. 376,234 12/1996 Hensel et al. .

D. 385,075 10/1997 Naft et al. D32/70

D. 386,863 11/1997 Lin D32/70

D. 388,574 12/1997 Clouet .

D. 388,920 1/1998 Nitsch .

D. 389,622 1/1998 Dziersk .

D. 389,627 1/1998 Stützer et al. .

D. 389,967 1/1998 Hensel et al. .

D. 391,721 3/1998 Kondo et al. .

D. 393,509 4/1998 Gudefin .

D. 401,706 11/1998 Gudefin .

D. 402,779 12/1998 Gudefin .

D. 406,933 3/1999 Leverrier .

D. 409,807 5/1999 Kondo .

D. 413,005 8/1999 Taylor .

D. 418,648 1/2000 Gudefin D32/70

D. 427,403 6/2000 Gudefin D32/70

[56] **References Cited**
U.S. PATENT DOCUMENTS

D. 286,216 10/1986 Pataki .

D. 290,891 7/1987 Stützer et al. .

D. 291,130 7/1987 Brun .

D. 293,146 12/1987 Brun .

D. 302,060 7/1989 Barrault .

D. 302,061 7/1989 Barrault .

D. 314,266 1/1991 Littmann .

D. 326,548 5/1992 Barrault .

D. 326,939 6/1992 Gudefin .

D. 326,940 6/1992 Barrault .

D. 327,150 6/1992 Gudefin .

D. 329,725 9/1992 Klok .

D. 340,329 10/1993 Barrault .

D. 353,246 12/1994 Kameda .

D. 353,694 12/1994 Vildosola .

D. 361,184 8/1995 Caruso Fuente .

D. 363,581 10/1995 Wilson et al. .

D. 364,950 12/1995 Classen .

D. 365,899 1/1996 Wai .

D. 366,544 1/1996 Choi .

D. 367,138 2/1996 Laborda .

Primary Examiner—Cynthia E Ramirez
Attorney, Agent, or Firm—Barry E. Deutsch

[57] **CLAIM**

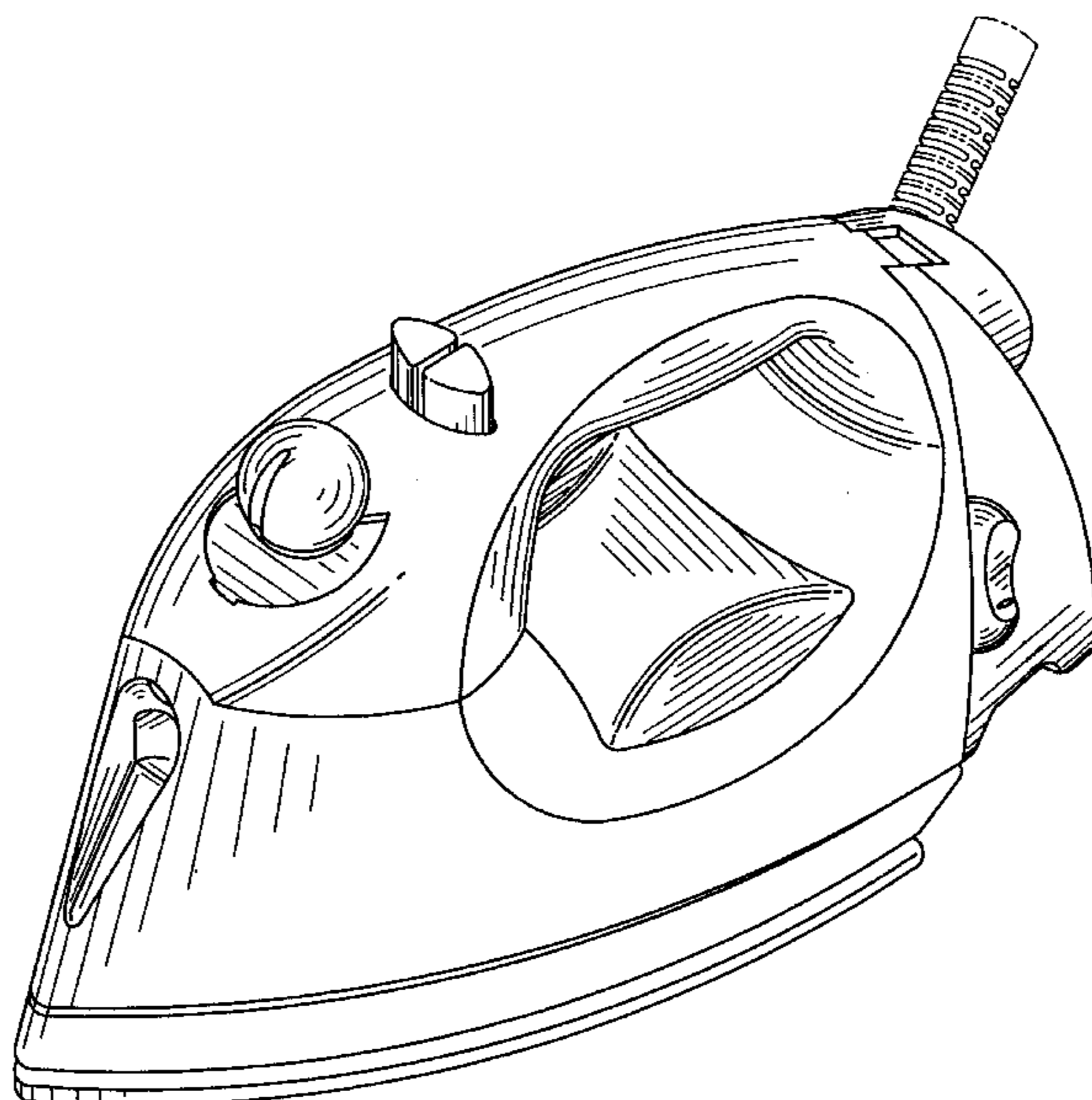
The ornamental design for an electric steam iron, as shown and described.

DESCRIPTION

FIG. 1 is a perspective view, taken from the front, right side, and top, illustrating our new design of an electric steam iron; FIG. 2 is a left side elevation view thereof; FIG. 3 is a right side elevation view thereof; FIG. 4 is a front elevation view thereof; FIG. 5 is a rear elevation view thereof; and, FIG. 6 is a top plan view thereof.

The broken lines showing the electrical cord is for illustrative purposes only and forms no part of the claimed design.

1 Claim, 4 Drawing Sheets



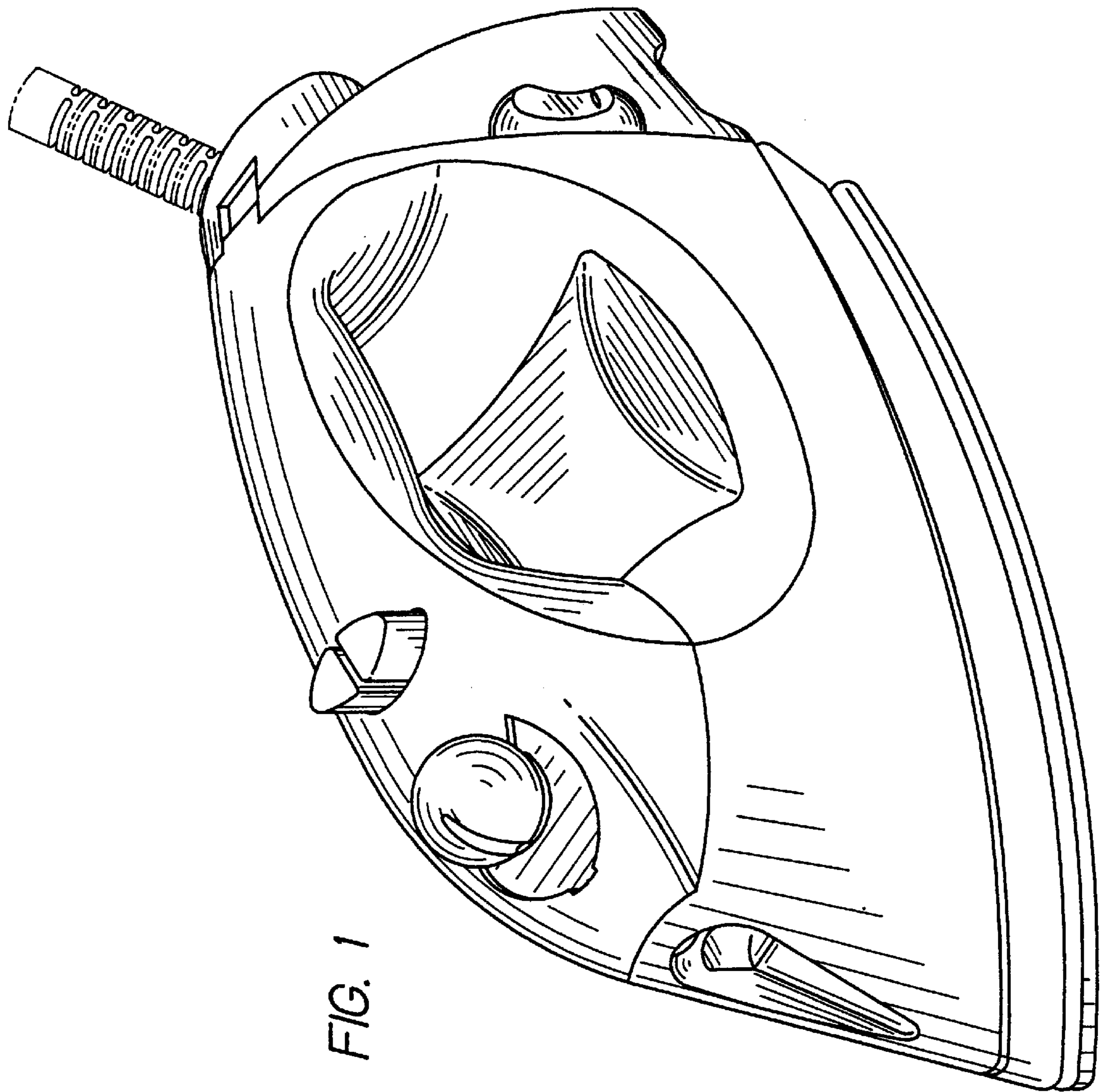


FIG. 2

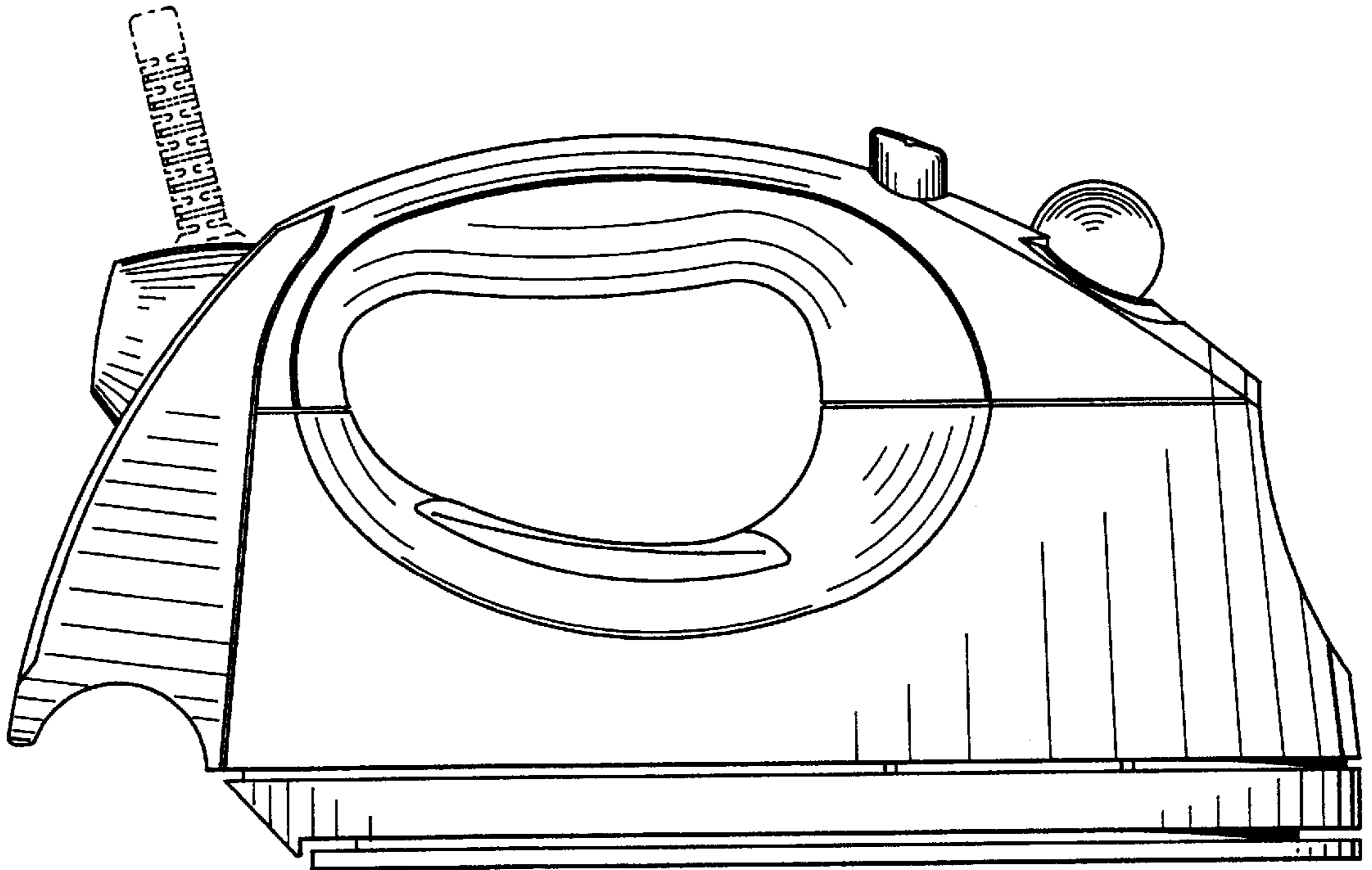


FIG. 3

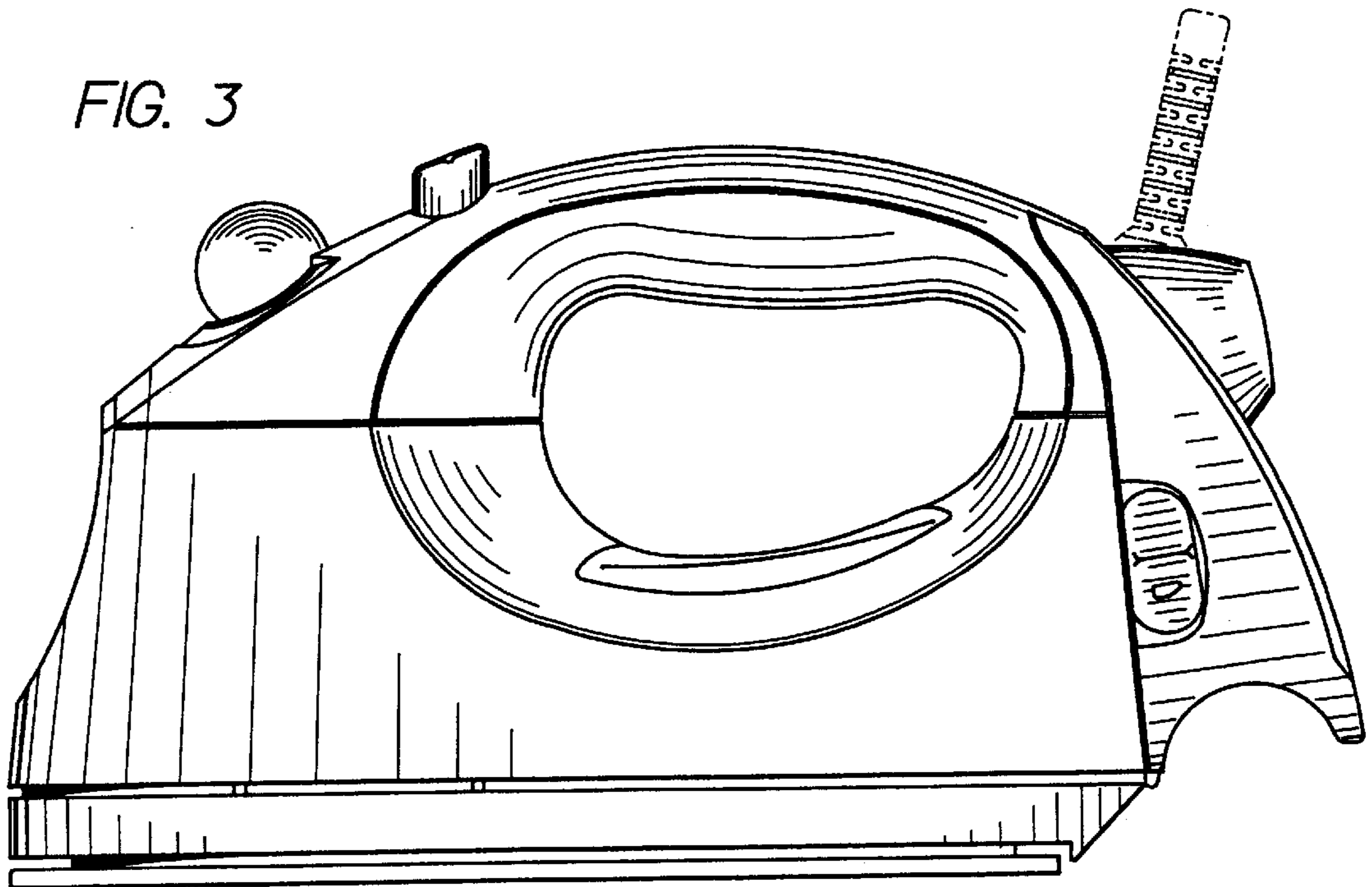


FIG. 4

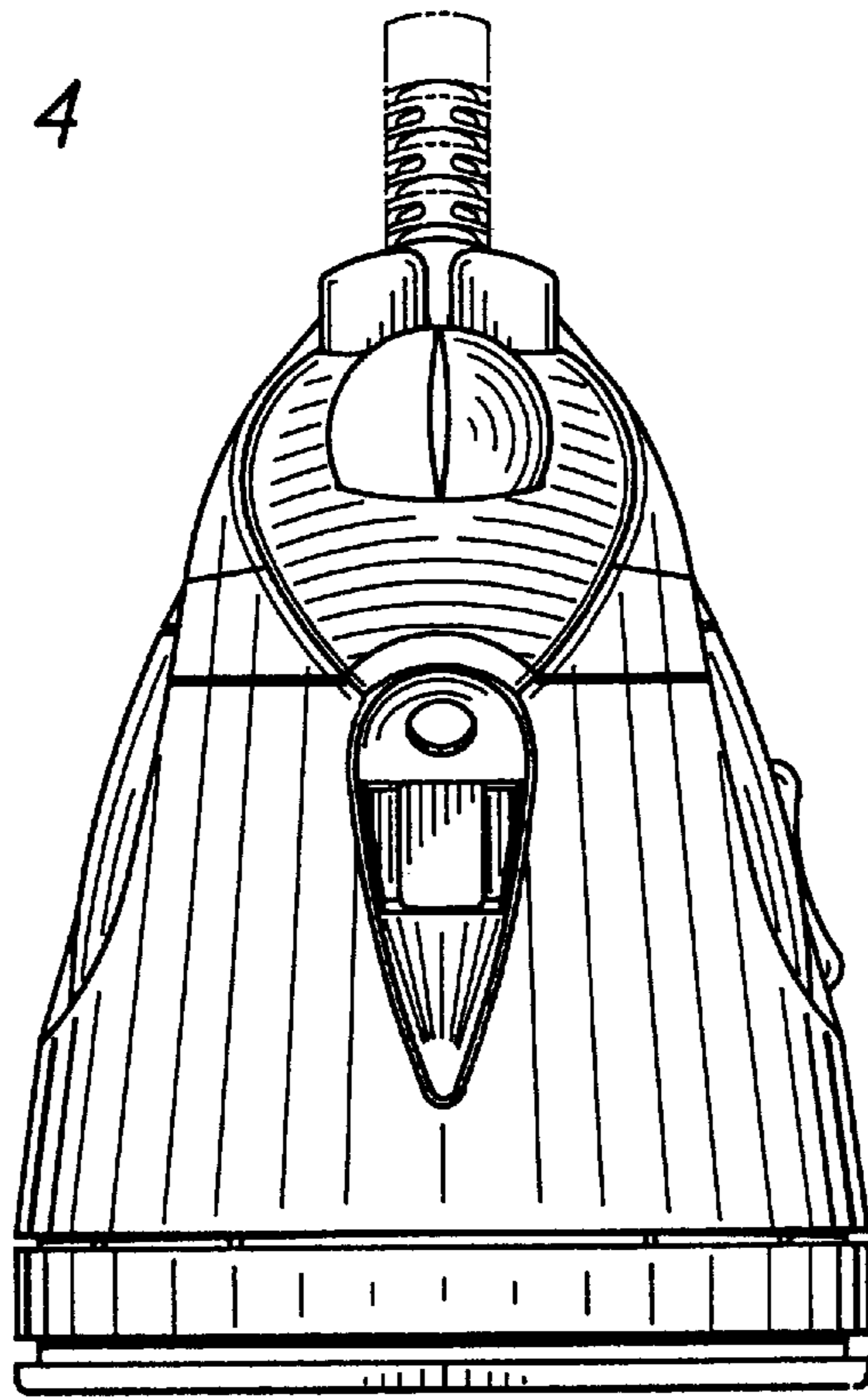


FIG. 5

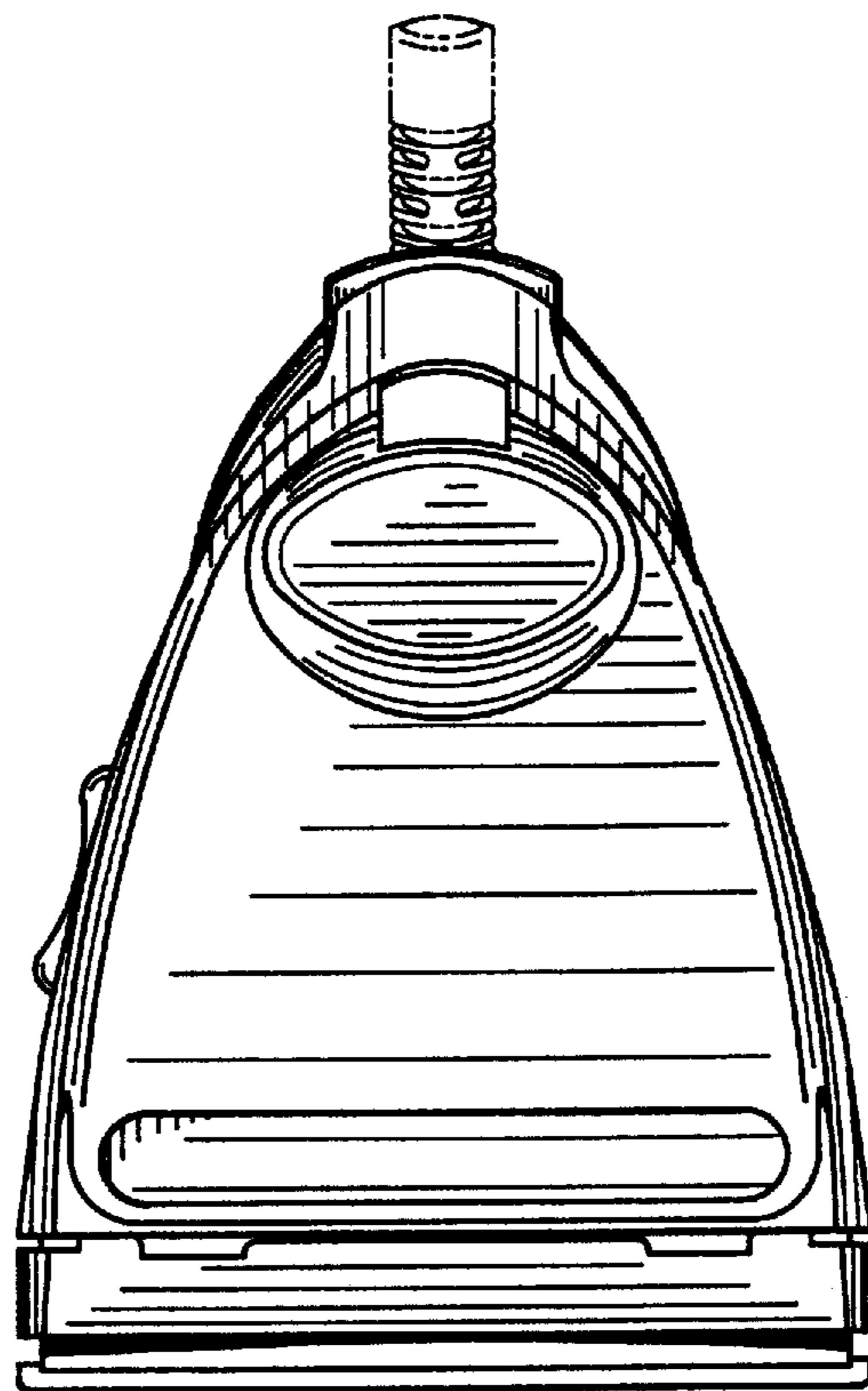


FIG. 6

