



US00D435149S

United States Patent [19] Kleinberg

[11] Patent Number: **Des. 435,149**

[45] Date of Patent: **** Dec. 12, 2000**

[54] **TRAY TO PREVENT TRACKING OF CAT LITTER**

[76] Inventor: **David A. Kleinberg**, 64 Wolkoff La., State Island, N.Y. 10303

[**] Term: **14 Years**

[21] Appl. No.: **29/115,105**

[22] Filed: **Dec. 8, 1999**

[51] **LOC (7) Cl.** **30-99**

[52] **U.S. Cl.** **D30/161; D30/119**

[58] **Field of Search** D30/118, 119, D30/161, 120; 119/161-173, 28.5, 526, 452, 474

3,656,457	4/1972	Houston	119/162
3,885,523	5/1975	Coleman	119/165
5,042,430	8/1991	Casmira	119/165
5,165,366	11/1992	Harvey	119/165
5,195,464	3/1993	Mutter	119/165
5,452,681	9/1995	Ho	119/498
5,816,195	10/1998	Flynn	119/165
5,924,383	7/1999	Smith	119/165
5,992,350	11/1999	Manzo	119/165

Primary Examiner—Cathy Anne MacCormac
Attorney, Agent, or Firm—Anthony J. Casella; Gerald E. Hespos; Michael J. Porco

[57] CLAIM

The ornamental design of a tray to prevent tracking of cat litter, as shown and described.

[56] References Cited

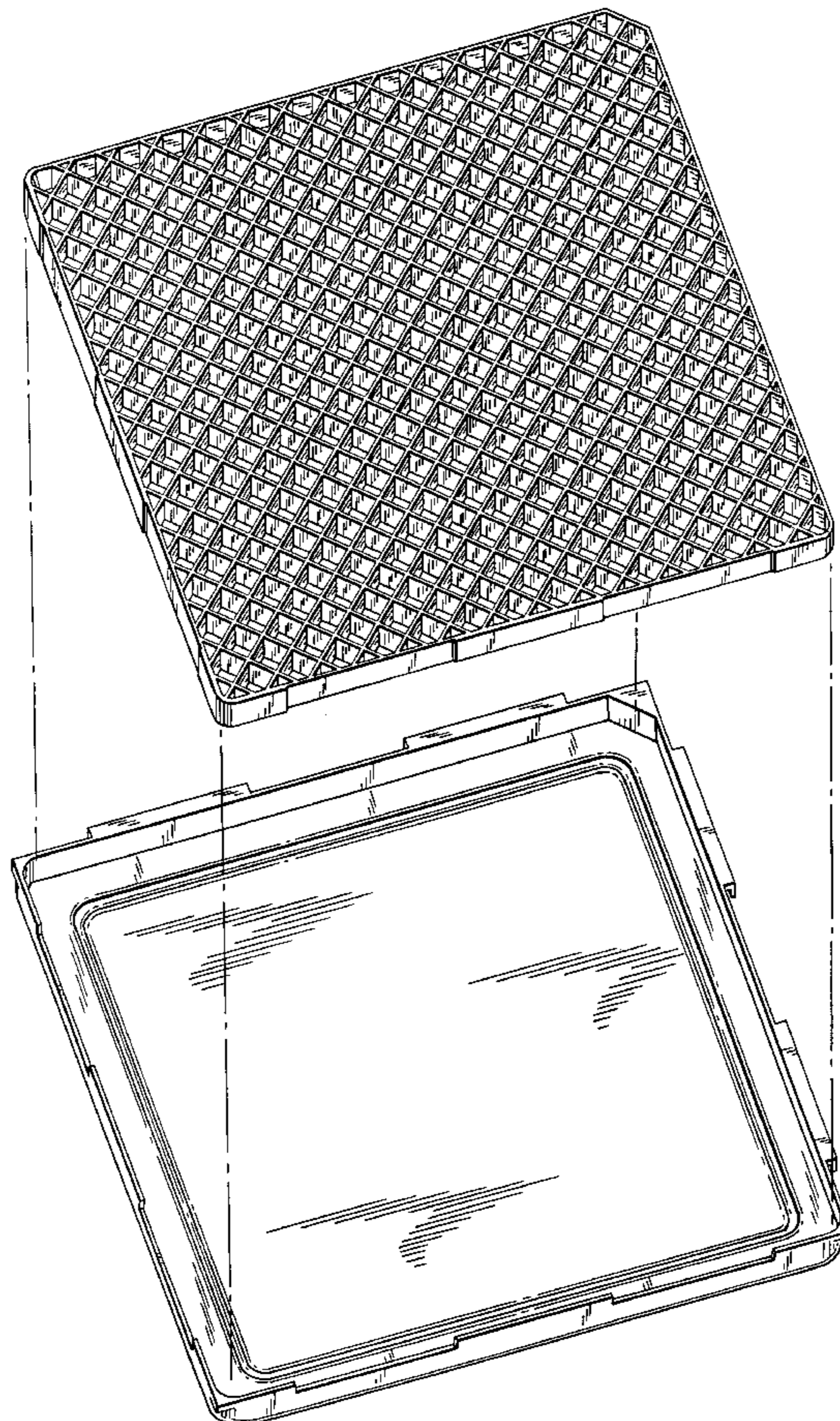
U.S. PATENT DOCUMENTS

229,436	6/1880	Mallett, Jr.	119/161
D. 231,371	4/1974	Willinger et al.	119/452
D. 318,348	7/1991	Meek	D30/120
D. 345,635	3/1994	Casmira	D30/161
D. 346,677	5/1994	Casmira	D30/161
D. 351,693	10/1994	Sutton	D30/161
D. 351,694	10/1994	Evans	D30/161
D. 378,451	3/1997	Schmidt	D30/161
D. 404,854	1/1999	Howarth	D30/161
D. 412,604	8/1999	Hickey	D30/120
1,528,413	3/1925	Frest	D30/161

DESCRIPTION

FIG. 1 is a perspective view of the tray to prevent tracking of cat litter of my new design;
FIG. 2 is an exploded view thereof;
FIG. 3 is a top plan view thereof;
FIG. 4 is a front elevational view thereof;
FIG. 5 is a right side elevational view thereof;
FIG. 6 is a left side elevational view thereof;
FIG. 7 is a rear elevational view thereof; and,
FIG. 8 is a bottom plan view thereof.

1 Claim, 5 Drawing Sheets



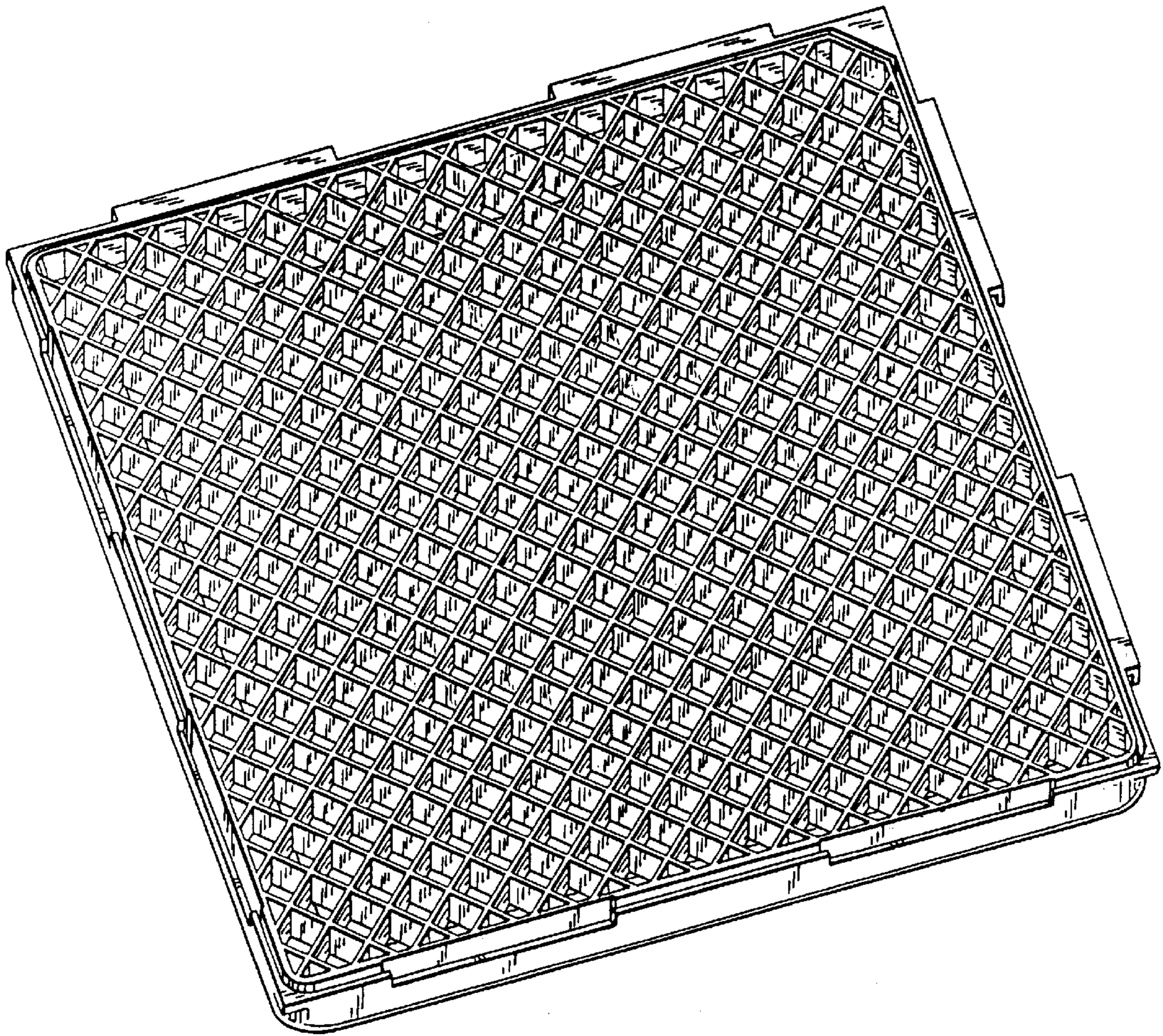


FIG. 1

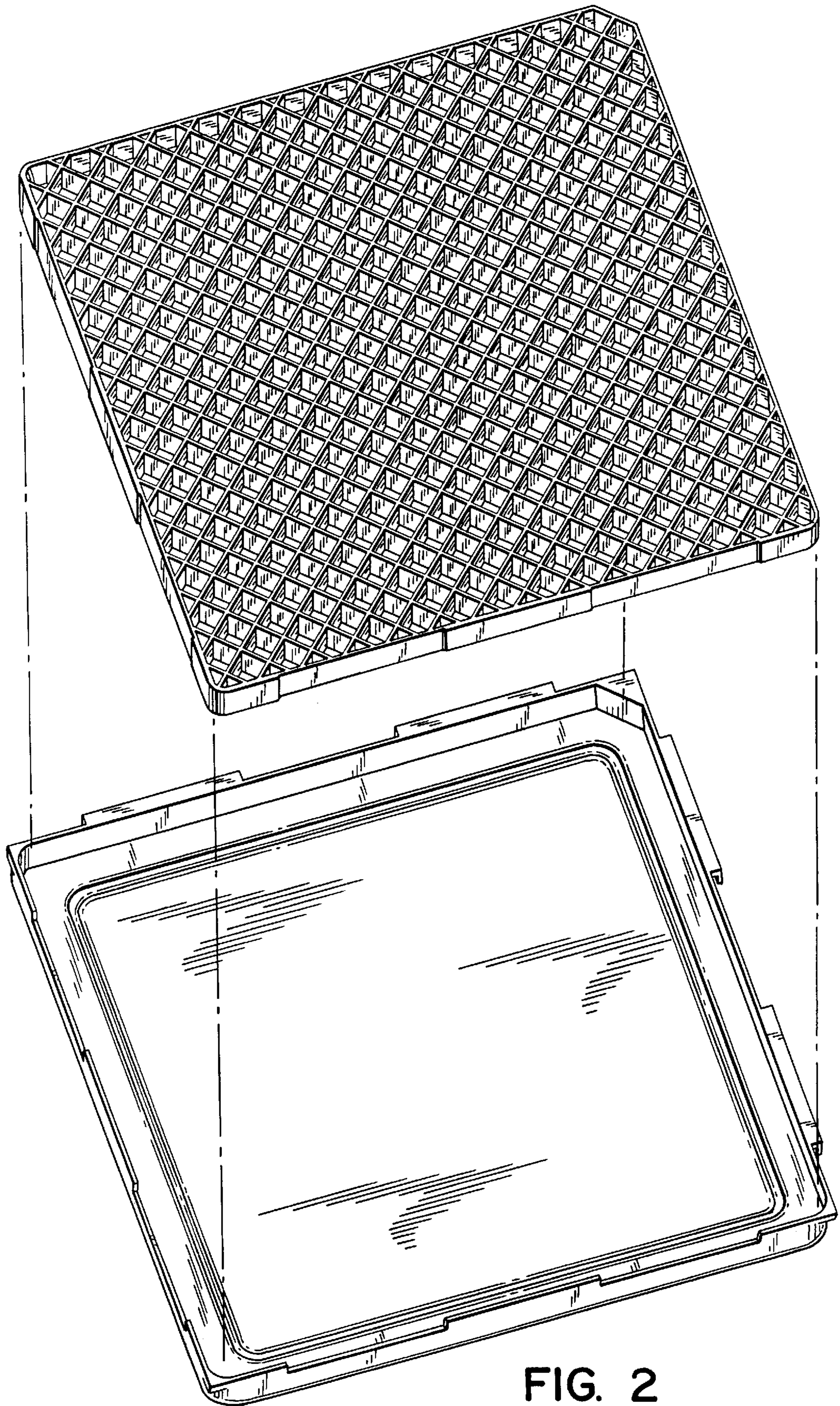


FIG. 2

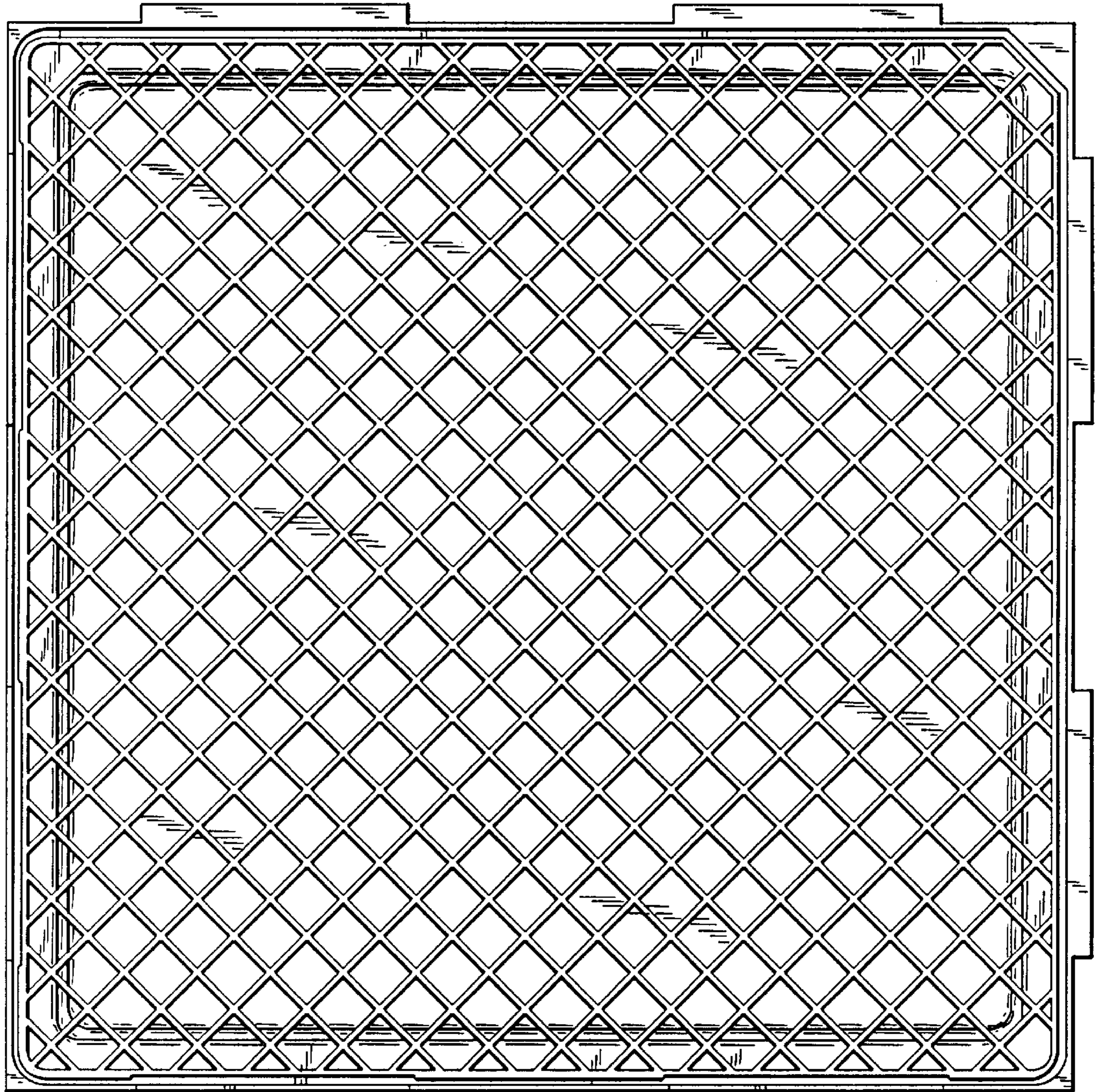


FIG.3

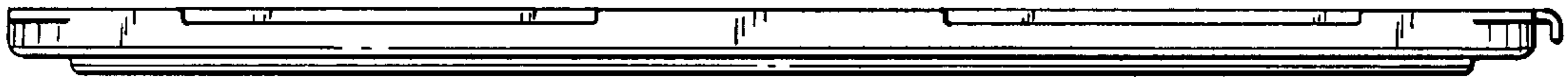


FIG. 4

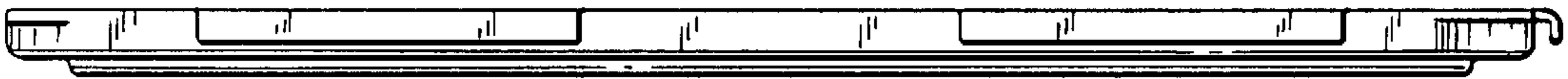


FIG. 5



FIG. 6

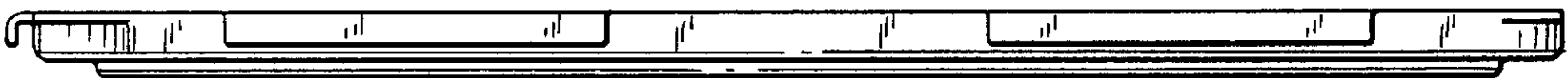


FIG. 7

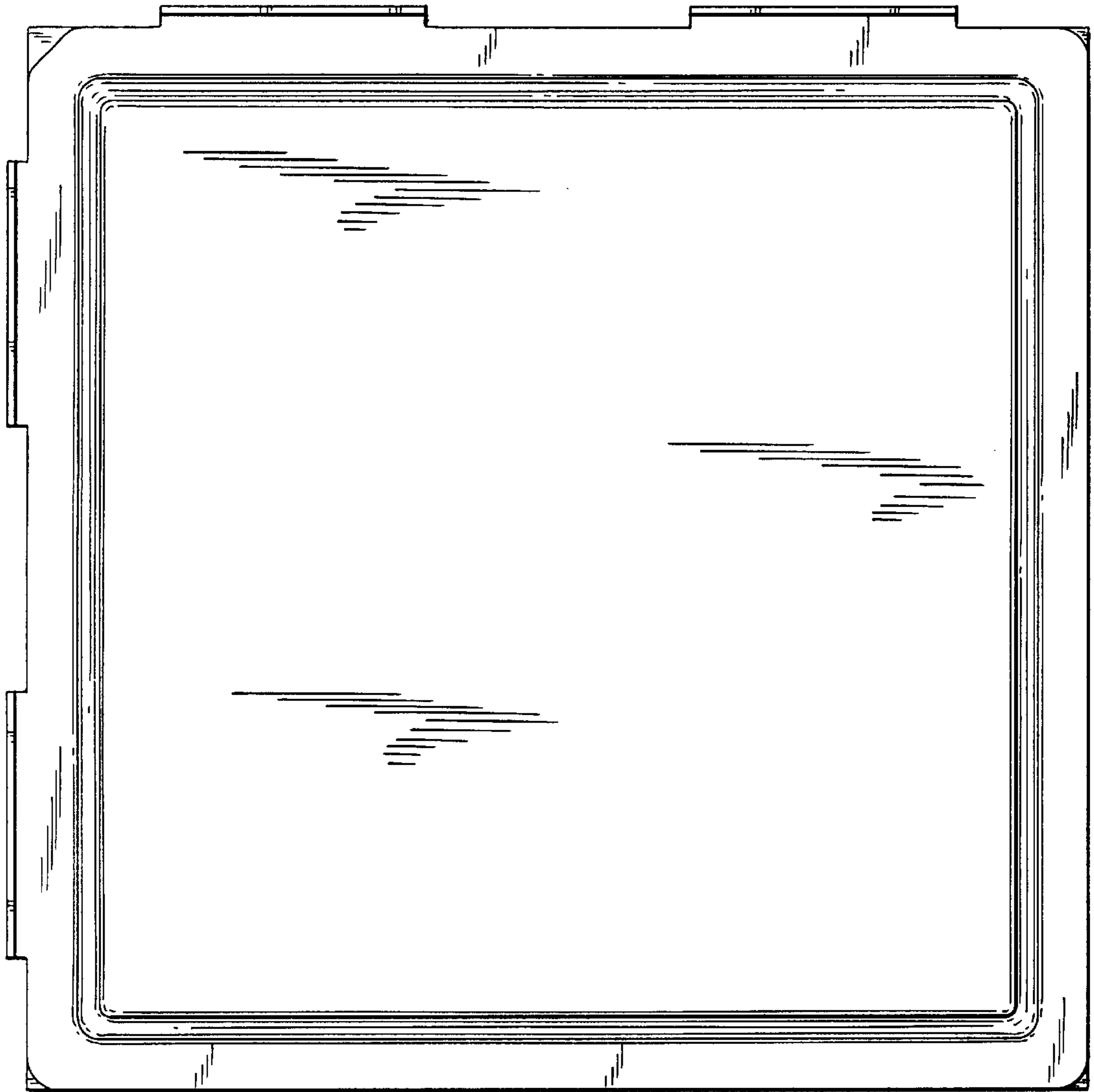


FIG.8