



US00D435143S

United States Patent [19]
Post, Jr.

[11] **Patent Number: Des. 435,143**

[45] **Date of Patent: ** Dec. 12, 2000**

[54] **FLAVOR INFUSER FOR CIGAR HUMIDOR**

[76] Inventor: **William J. Post, Jr.**, 64 Ivy Pl., Wayne, N.J. 07470

[**] Term: **14 Years**

[21] Appl. No.: **29/107,044**

[22] Filed: **Jun. 29, 1999**

[51] **LOC (7) Cl.** **27-06**

[52] **U.S. Cl.** **D27/193; D27/194**

[58] **Field of Search** **D27/194, 193; 131/274; 239/57, 60, 34**

[56] **References Cited**

U.S. PATENT DOCUMENTS

1,237,176	8/1917	Curtiss	239/34
3,844,478	10/1974	Davis	239/57
5,850,839	12/1998	Adami	131/274
5,901,710	5/1999	Barber	131/274

Primary Examiner—Susan J. Lucas
Assistant Examiner—Jennifer Rivard
Attorney, Agent, or Firm—Siegmar Silber, Esq.

[57] **CLAIM**

The ornamental design for a flavor infuser for cigar humidor, as shown and described.

DESCRIPTION

FIG. 1 is a perspective view of a flavor infuser for cigar humidor with a cigar humidor shown by the dashed lines; FIG. 2 is a front elevational view of FIG. 1; FIG. 3 is a left side elevational view of FIG. 1; the right side elevational view is a mirror image thereof; FIG. 4 is a rear elevational view of FIG. 1; FIG. 5 is a top plan view of FIG. 1; and, FIG. 6 is a bottom plan view of FIG. 1.

The dashed lines are shown for illustrative purposes only and form no part of the claimed design.

1 Claim, 2 Drawing Sheets

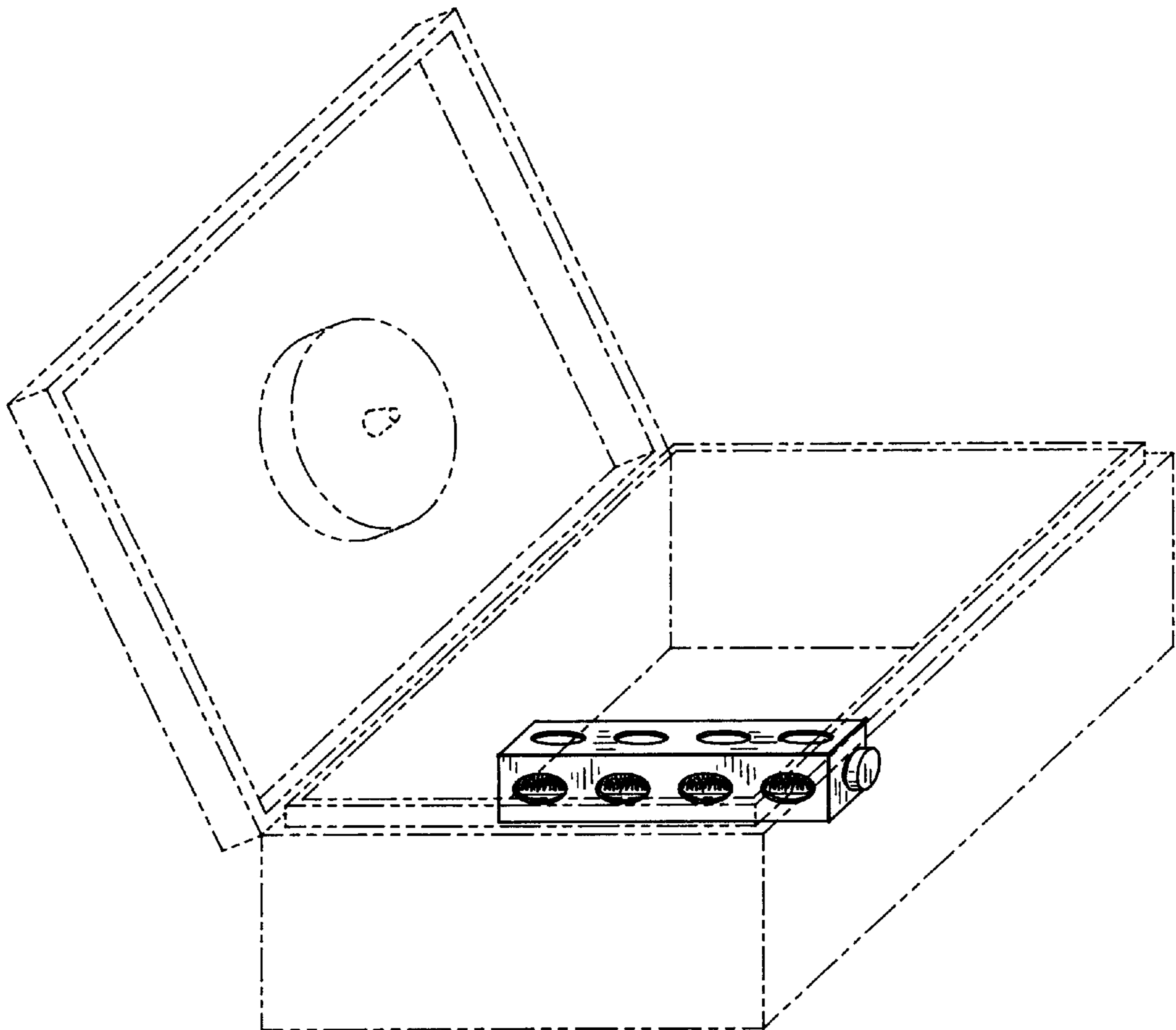


FIG. 1

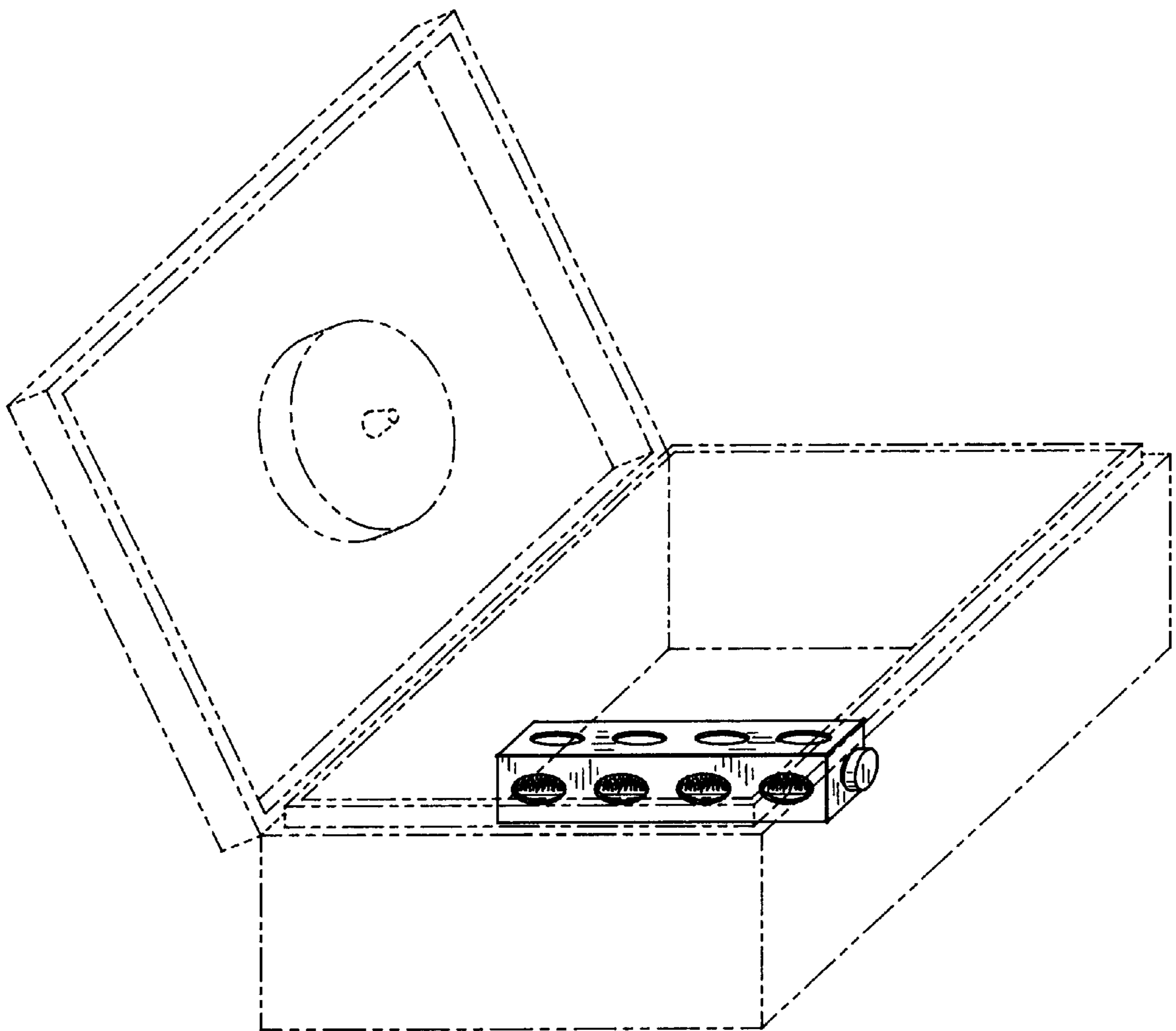


FIG. 2

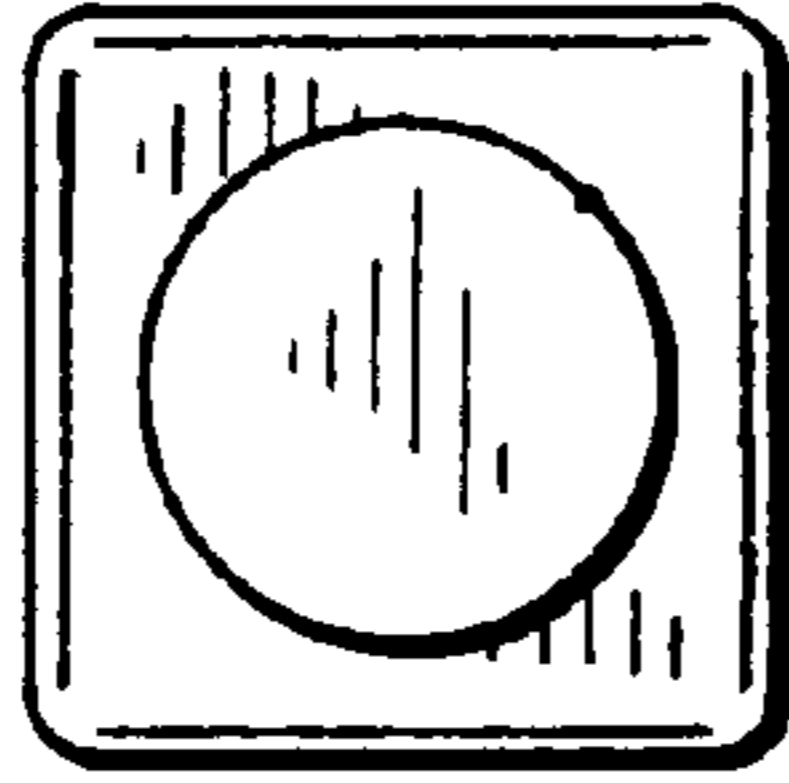


FIG. 4



FIG. 3

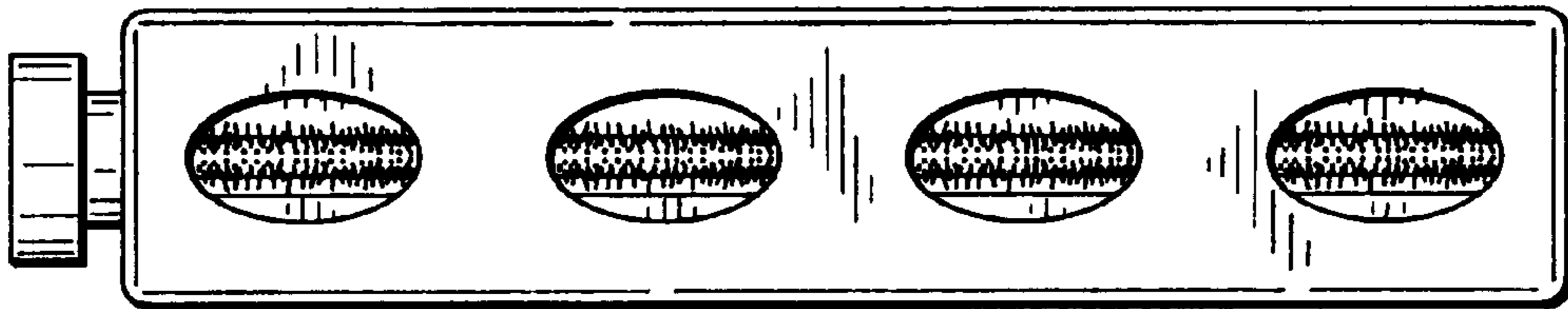


FIG. 5

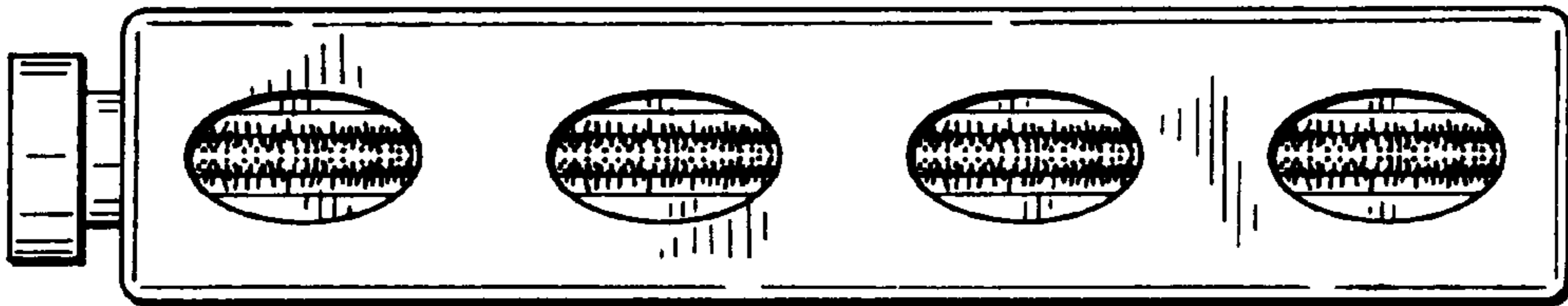


FIG. 6

