



US00D435134S

United States Patent [19]
Minissi et al.

[11] **Patent Number: Des. 435,134**
[45] **Date of Patent: ** Dec. 12, 2000**

[54] **SUSPENDED LUMINAIRE**

5,993,028 11/1999 Ong 362/310

[75] Inventors: **Paolo E. Minissi; Mark P. Boomgarden**, both of Austin, Tex.

OTHER PUBLICATIONS

Harrington & King Perforating Co. Inc., May 1961, p. 108, rectangular slots.

[73] Assignee: **NSI Enterprises, Inc.**, Newark, Ohio

Harrington & King Peforating Co. Inc, May 1961, p. 118, triangular and round openings.

[**] Term: **14 Years**

Primary Examiner—Susan J. Lucas
Attorney, Agent, or Firm—Paul M. Schwartz

[21] Appl. No.: **29/099,702**

[57] **CLAIM**

[22] Filed: **Jan. 27, 1999**

[51] **LOC (7) Cl.** **26-05**

The ornamental design for a suspended luminaire, as shown and described.

[52] **U.S. Cl.** **D26/85**

[58] **Field of Search** D26/72, 85-91,
D26/118; 362/404-408, 147, 307, 310,
341, 346, 347, 349, 350, 353, 348; D25/117,
118

DESCRIPTION

FIG. 1 is a perspective view of the new design;
FIG. 2 is a side elevation view thereof;
FIG. 3 is a top plan view thereof; and,
FIG. 4 is a bottom plan view thereof.

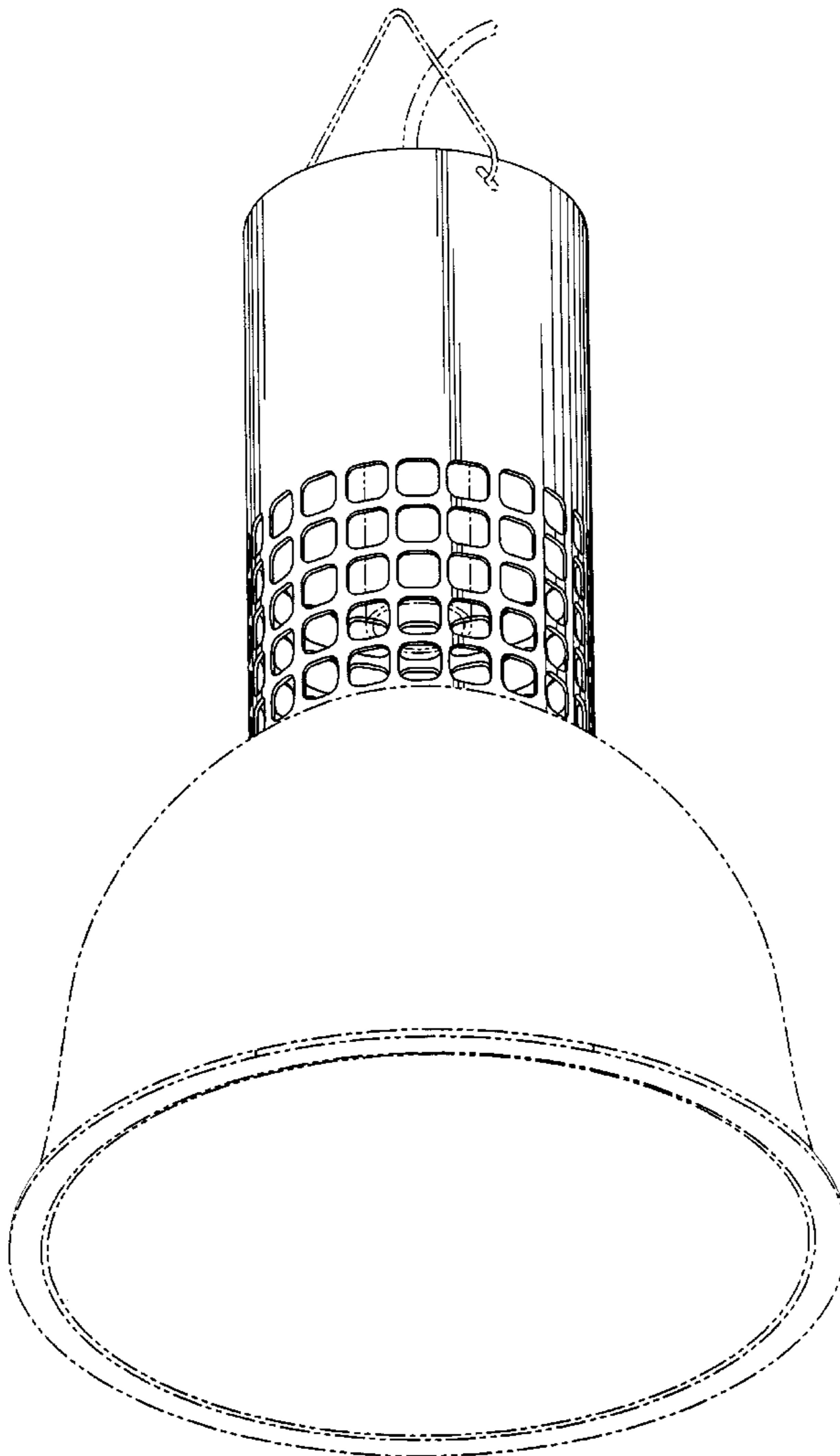
[56] **References Cited**

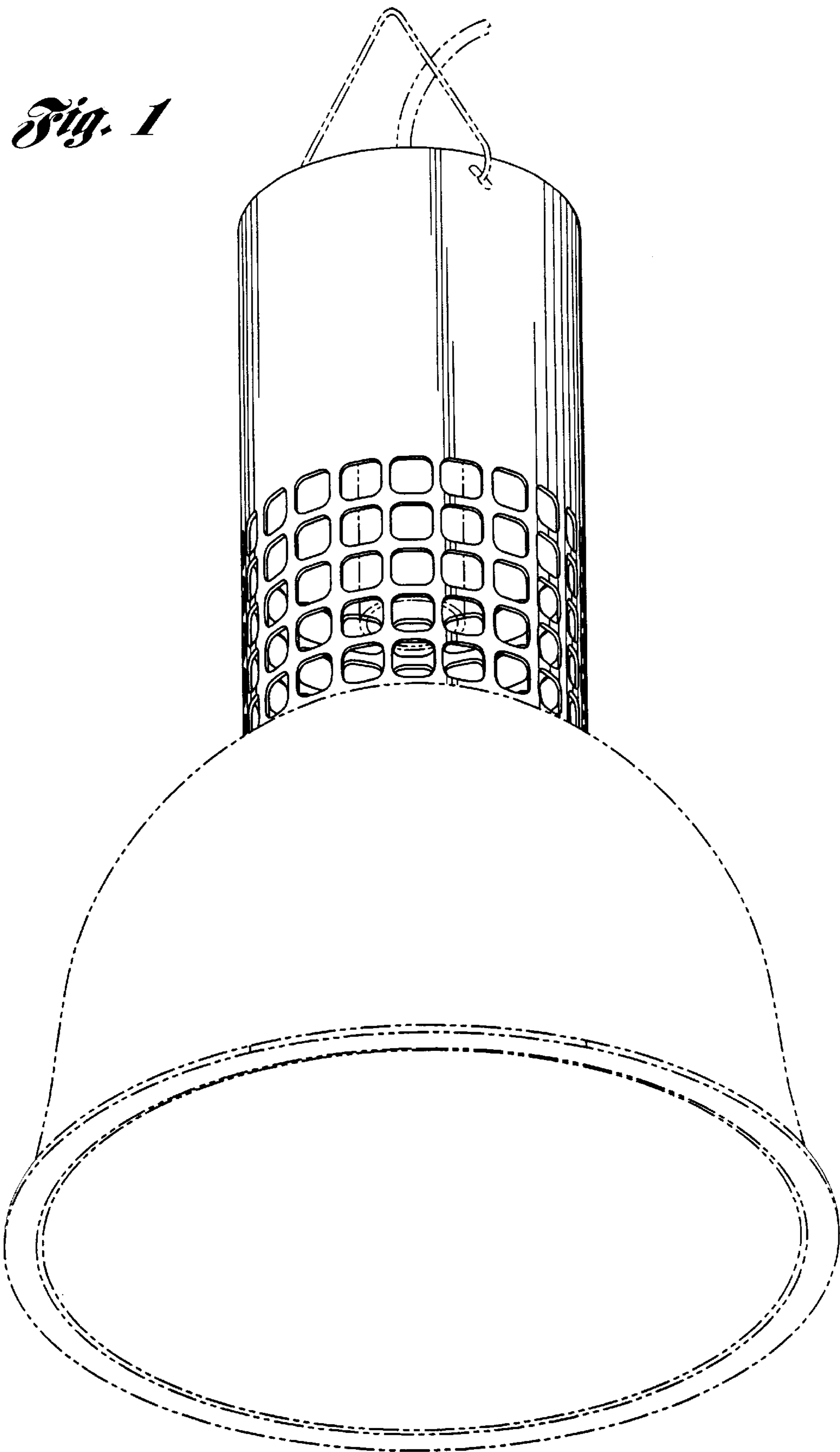
The broken lines are shown for illustrative purposes only and form no part of the claimed design.

U.S. PATENT DOCUMENTS

- D. 139,444 11/1944 Lippincott D26/88
- D. 405,210 2/1999 Elgeston D26/88
- 5,535,110 7/1996 Ling 362/346 X

1 Claim, 3 Drawing Sheets





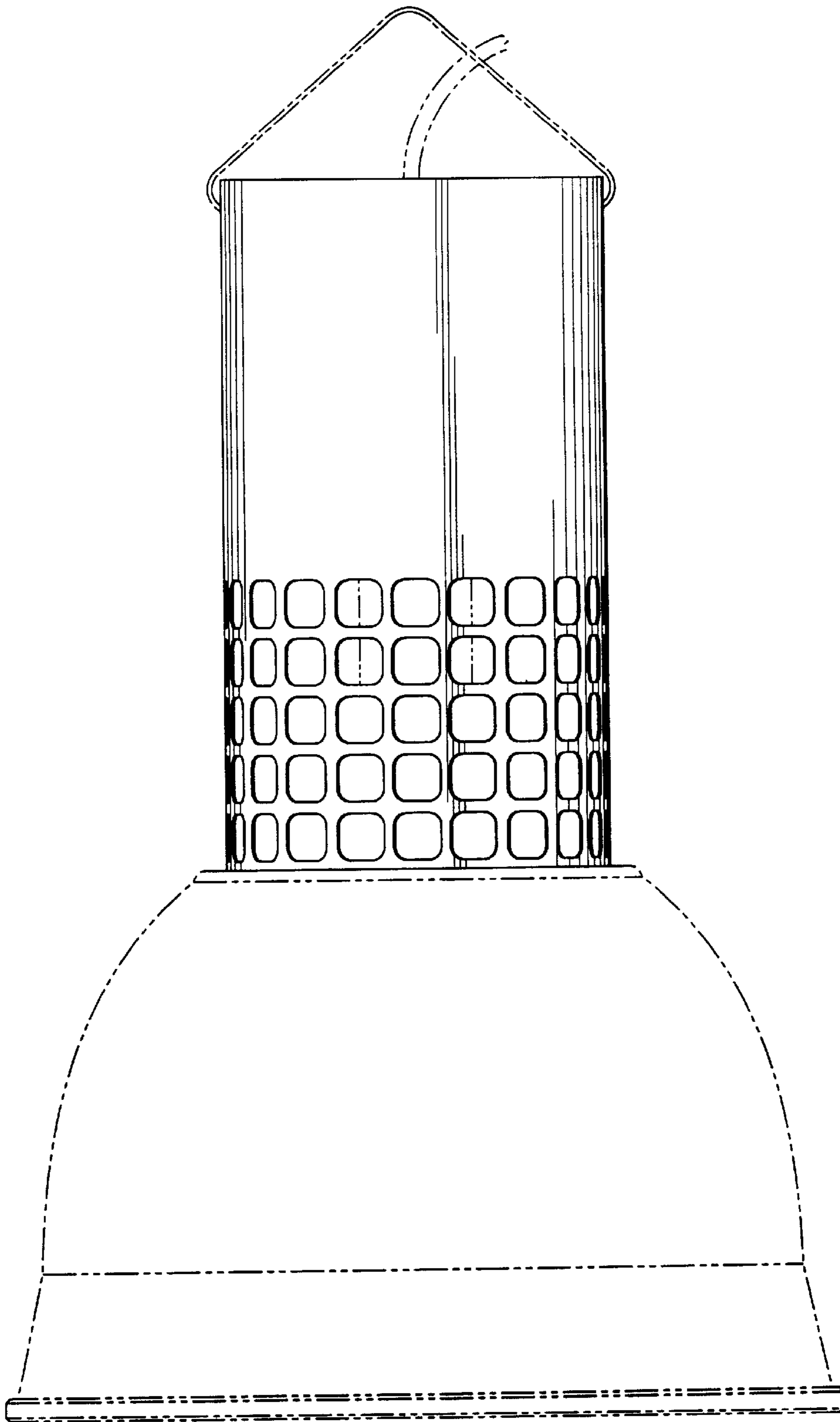


Fig. 2

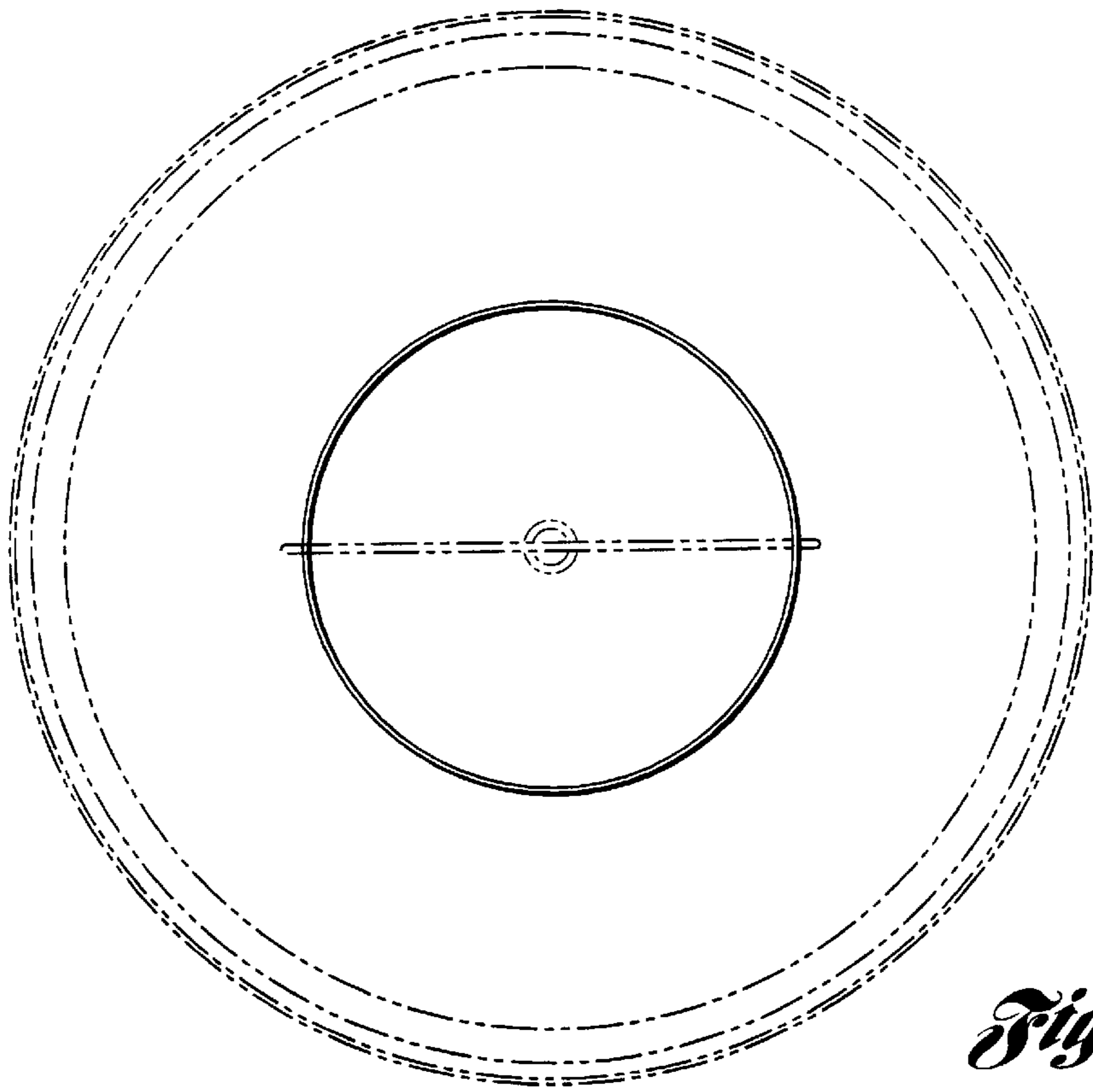


Fig. 3

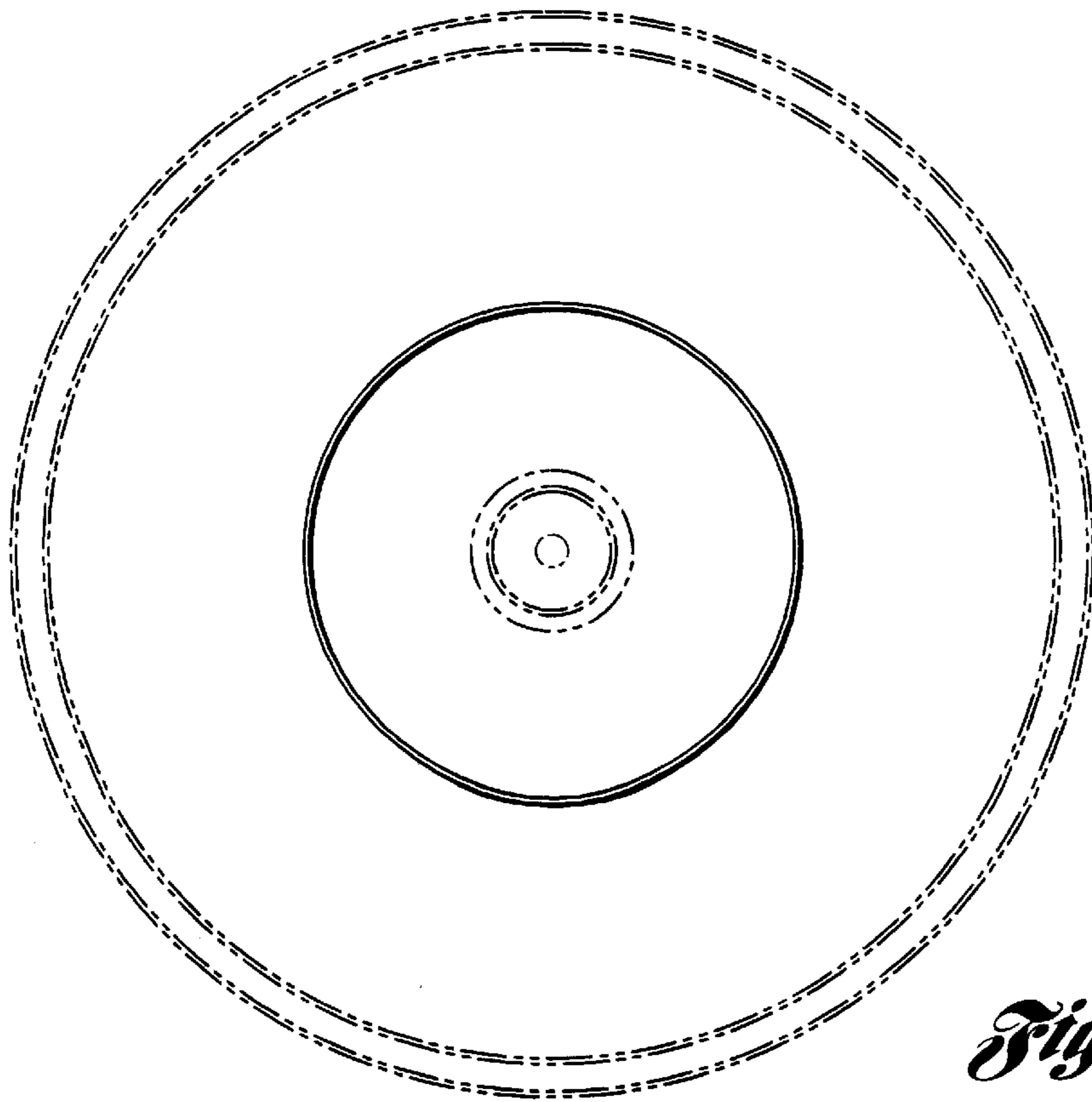


Fig. 4