



US00D435133S

United States Patent [19]
Miranda

[11] **Patent Number: Des. 435,133**

[45] **Date of Patent: ** Dec. 12, 2000**

[54] **LIGHTING FIXTURE**

[76] Inventor: **Pasquale Miranda**, 63 - 2nd St.,
Garden City, N.Y. 11530

[**] Term: **14 Years**

[21] Appl. No.: **29/106,328**

[22] Filed: **Jun. 11, 1999**

[51] **LOC (7) Cl.** **26-05**

[52] **U.S. Cl.** **D26/84**

[58] **Field of Search** **D26/72, 80-92;**
362/404-408

[56] **References Cited**

PUBLICATIONS

Quoizel lighting catalog, 1997, p. 21, lightin fixture #AE
319Y.

Sea Gull lighting catalog, 1996, p. 20, lighting fixture #
3103-34.

Sea Gull lighting catalog, 1996, p. 38, lighting fixture #
3161-02.

Primary Examiner—Susan J. Lucas

[57] **CLAIM**

The ornamental design for lighting fixture, as shown and
described.

DESCRIPTION

FIG. 1 is a perspective view,
FIG. 2 is a front view with frontal section removed to fully
show the center column; and,
FIG. 3 is a bottom view.

The broken lines are for illustrative purposes only and form
no part of the claimed design.

1 Claim, 3 Drawing Sheets

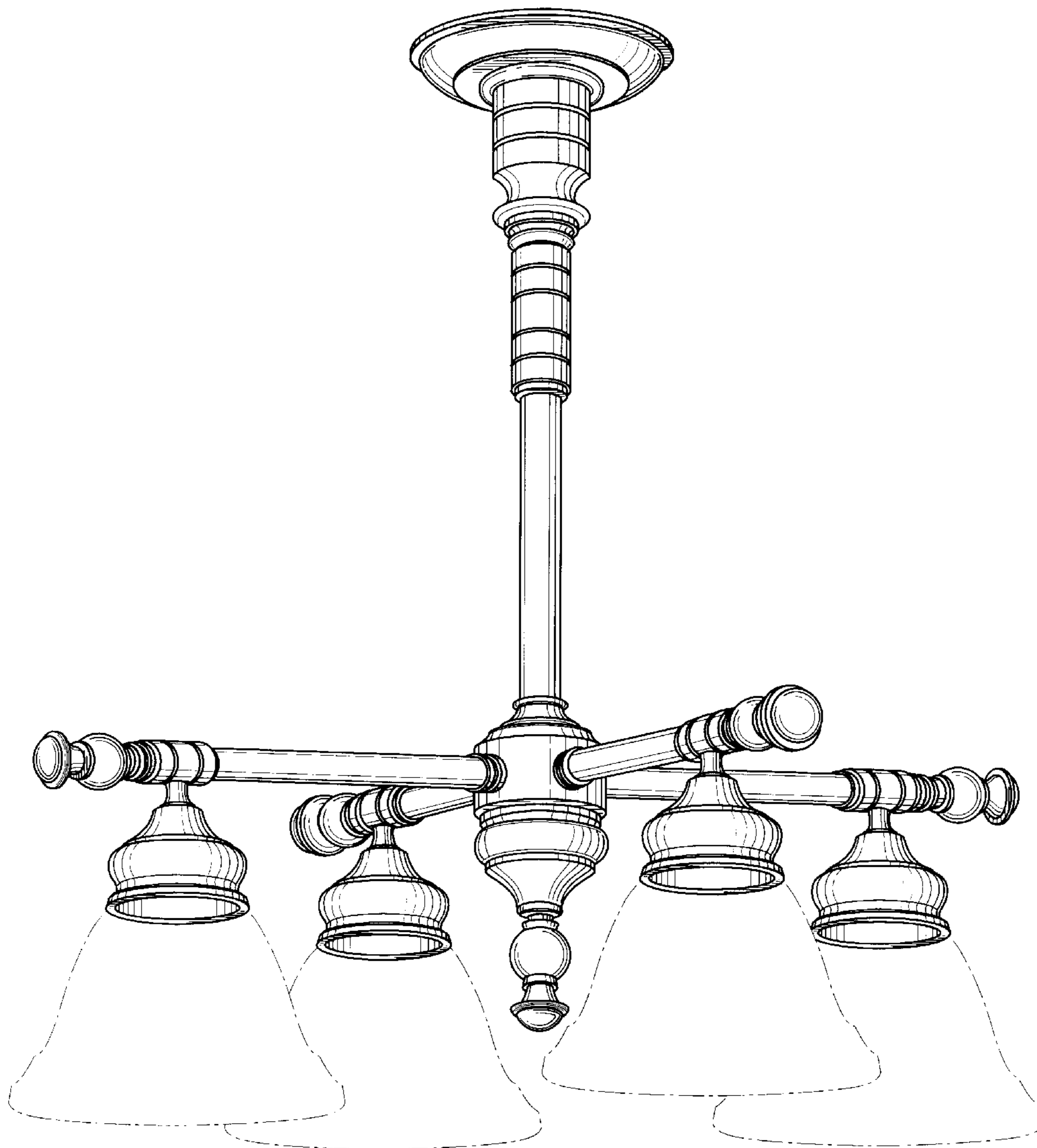


FIG. 1

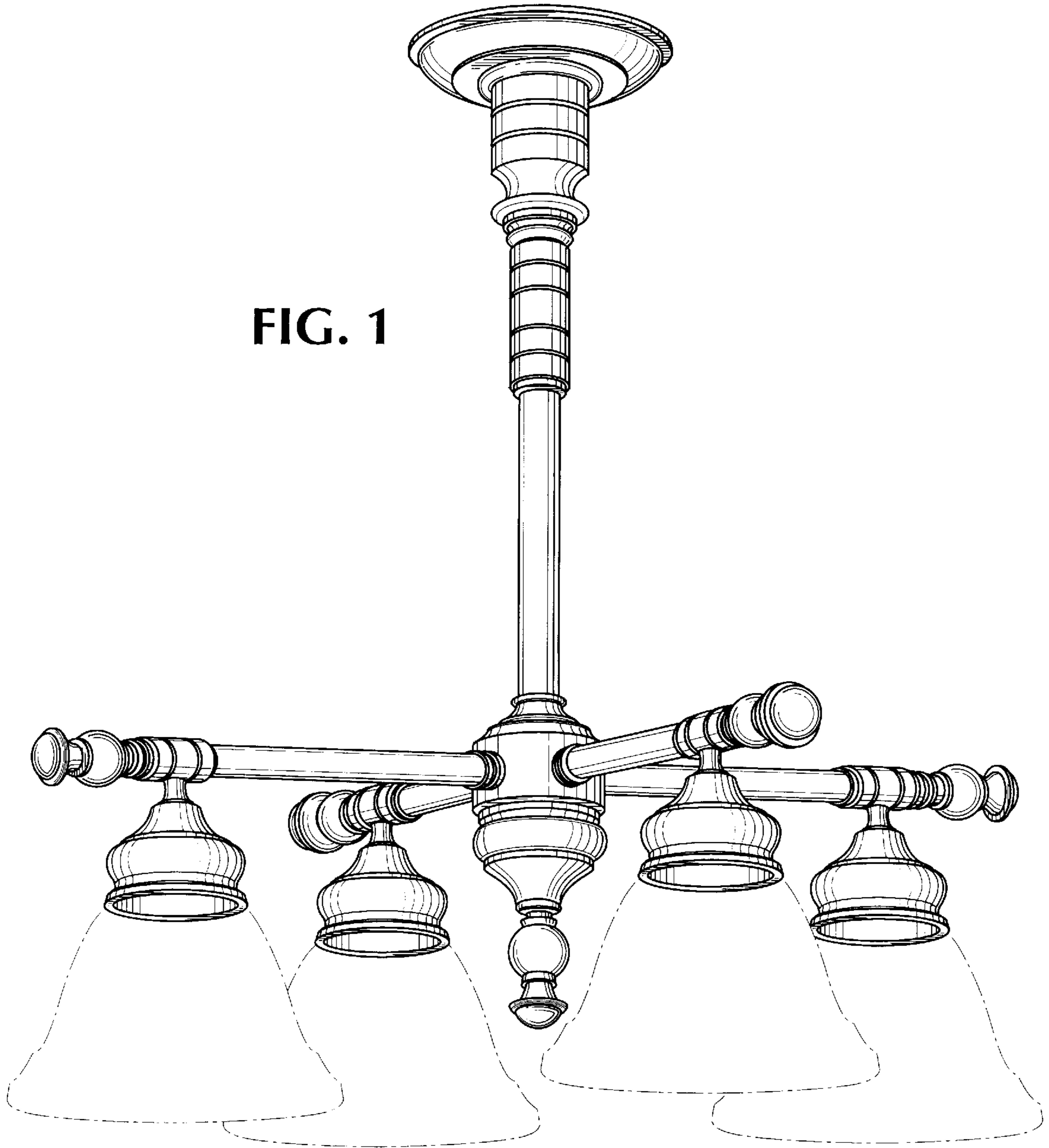


FIG. 2

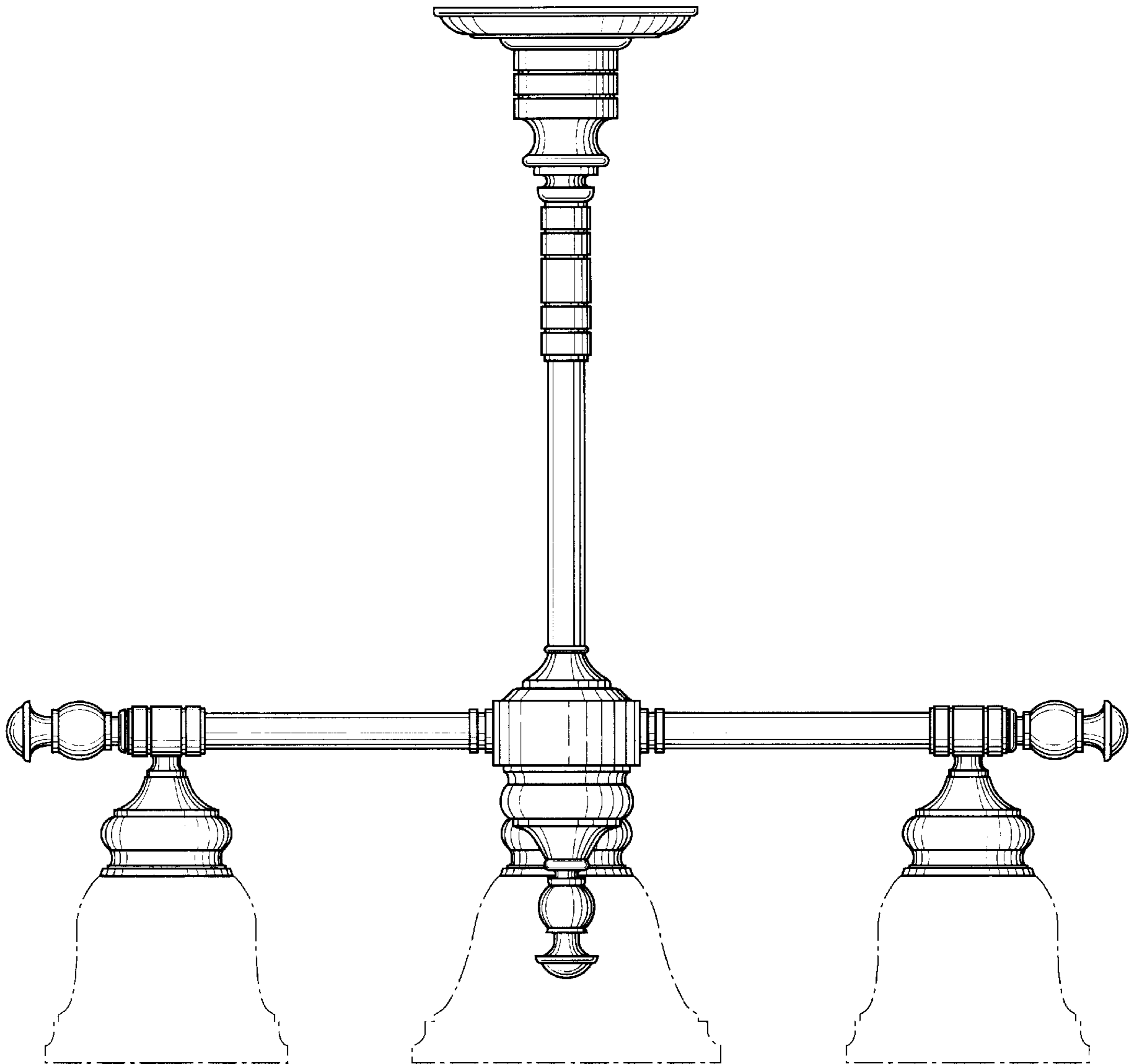


FIG. 3

