



US00D435131S

United States Patent [19] Szymanek

[11] **Patent Number: Des. 435,131**

[45] **Date of Patent: ** Dec. 12, 2000**

[54] **LIGHT FIXTURE**

D. 404,160 1/1999 Herst et al. D26/76
2,694,775 11/1954 Florence .

[75] Inventor: **Donald D. Szymanek**, Thousand Oaks, Calif.

OTHER PUBLICATIONS

[73] Assignee: **Thin-Lite Corporation**, Camarillo, Calif.

Lighting magazine, Feb. 1959, p. 29, MUS fluorescent lighting fixture.

[**] Term: **14 Years**

Primary Examiner—Susan J. Lucas
Attorney, Agent, or Firm—Fulwider Patton Lee & Utecht, LLP

[21] Appl. No.: **29/104,949**

[22] Filed: **May 17, 1999**

[51] **LOC (7) Cl.** **26-05**

[52] **U.S. Cl.** **D26/75**

[58] **Field of Search** D26/75-78; 362/216, 362/217, 218, 219, 220, 221, 222, 223, 224, 225

[57] CLAIM

The ornamental design for a light fixture, as shown and described.

DESCRIPTION

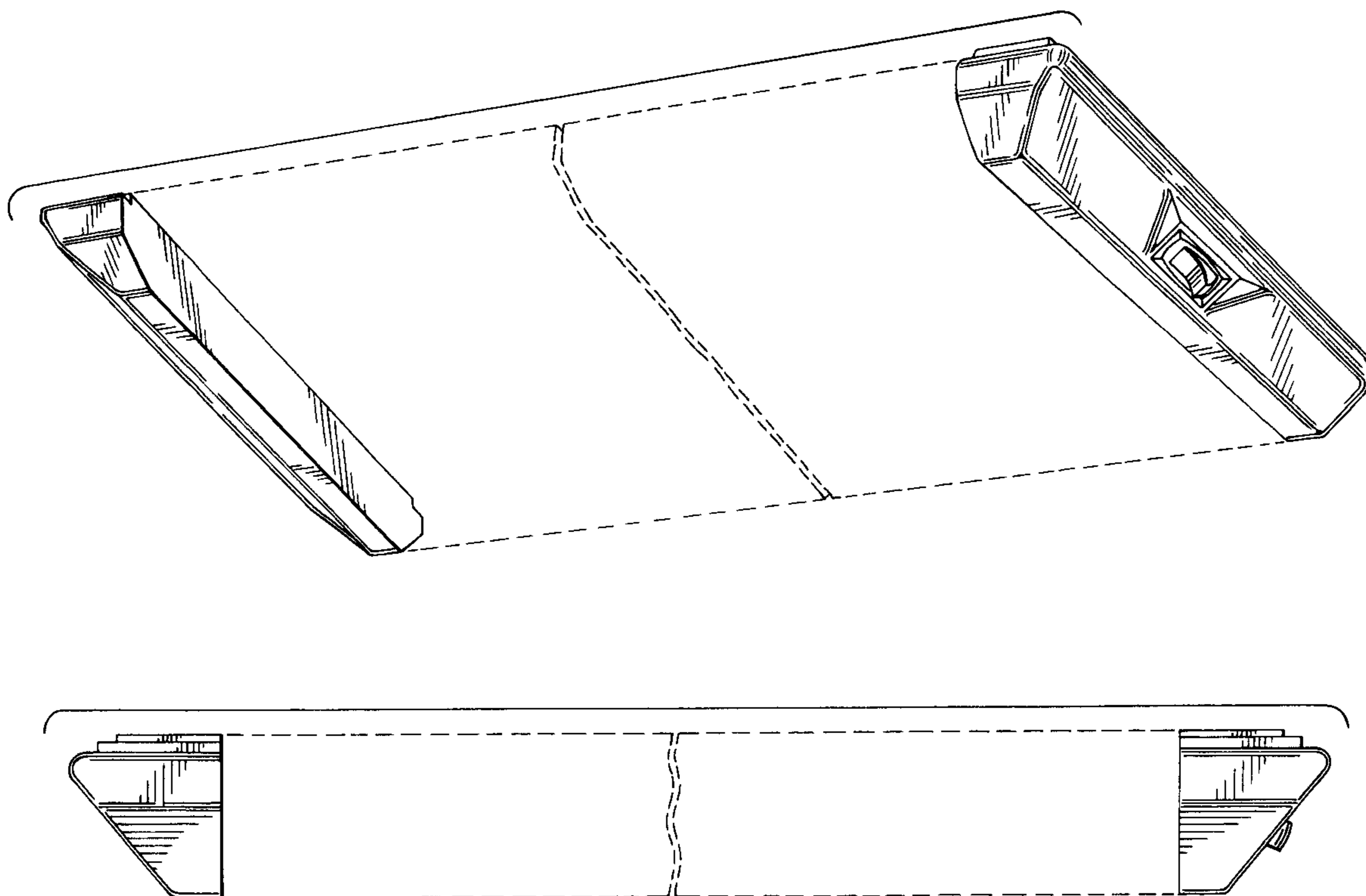
FIG. 1 is a broken perspective view showing my new design; FIG. 2 is a broken front view thereof; FIG. 3 is a broken bottom view thereof; FIG. 4 is a right end view thereof; FIG. 5 is a broken top view thereof; and, FIG. 6 is a left end view thereof.

[56] References Cited

U.S. PATENT DOCUMENTS

D. 300,874 4/1989 Szymanek D26/76
D. 330,268 10/1992 Jakisch D26/74

1 Claim, 3 Drawing Sheets



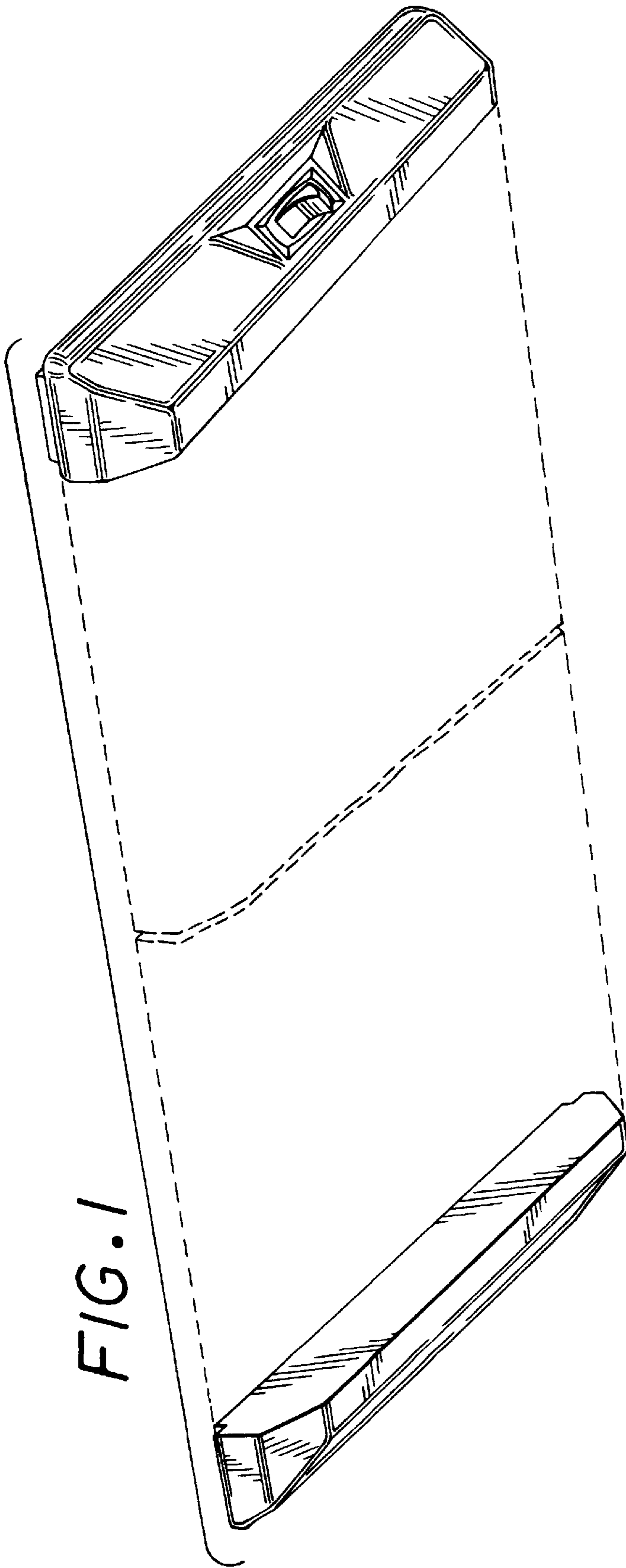
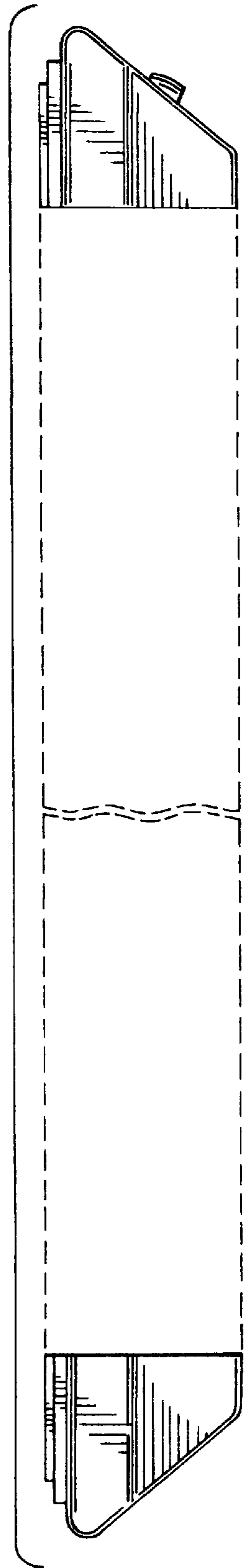


FIG. 2



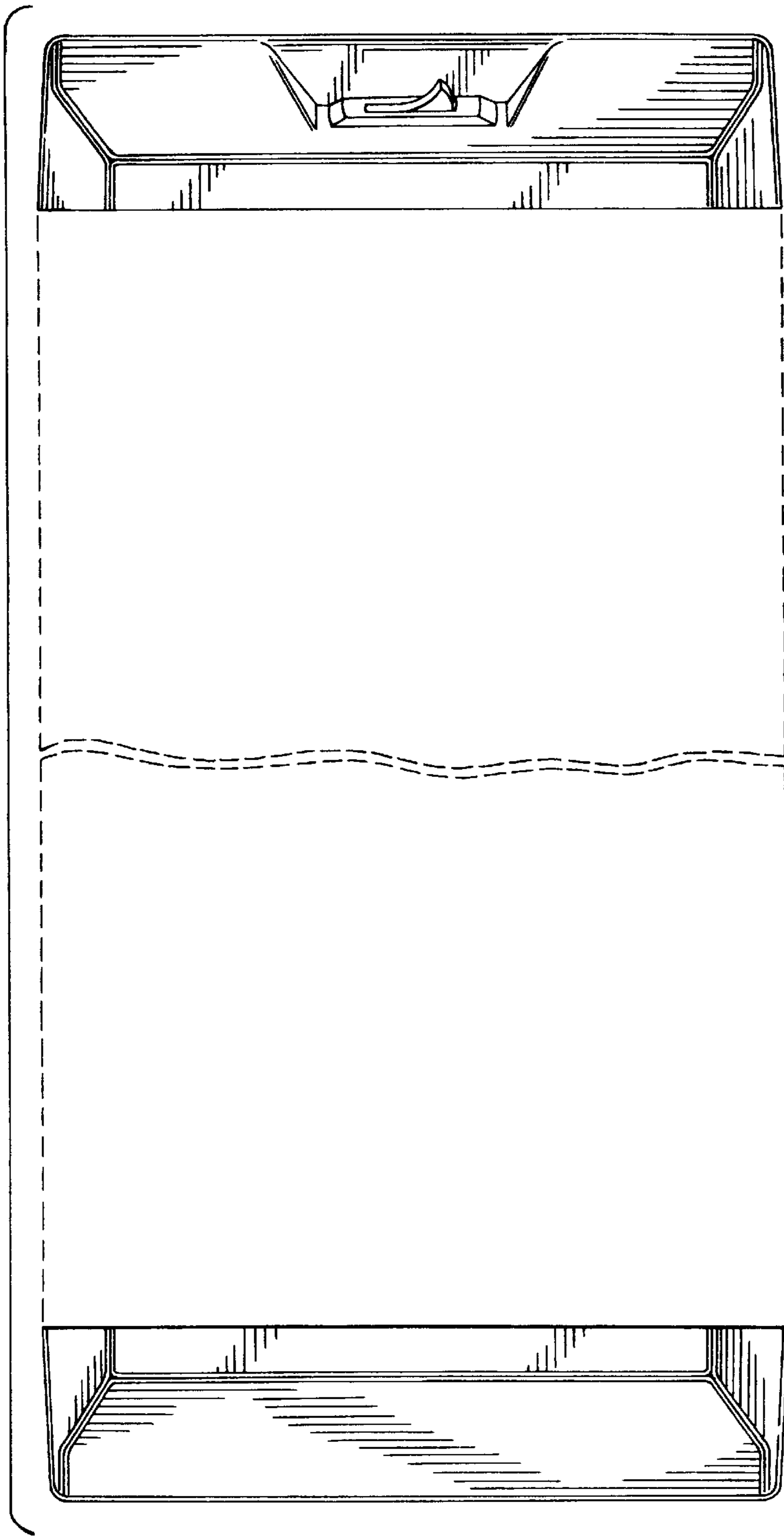


FIG. 3

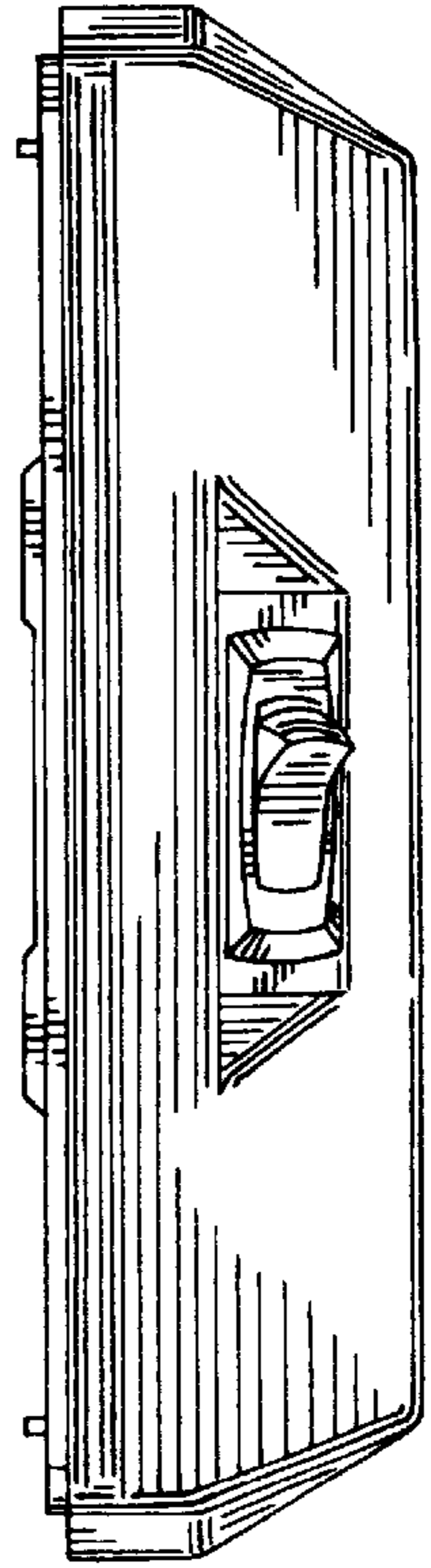


FIG. 4

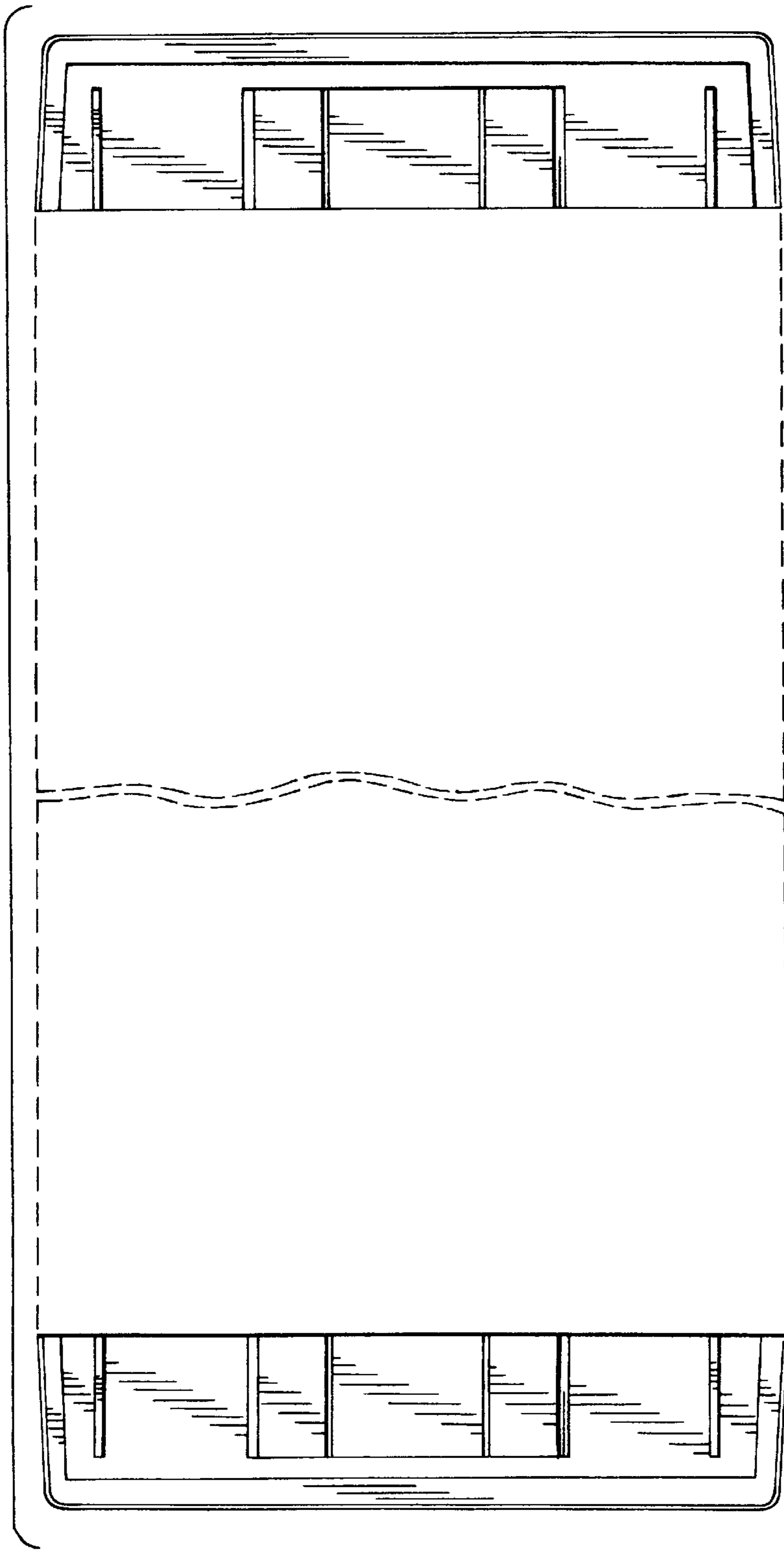


FIG. 5

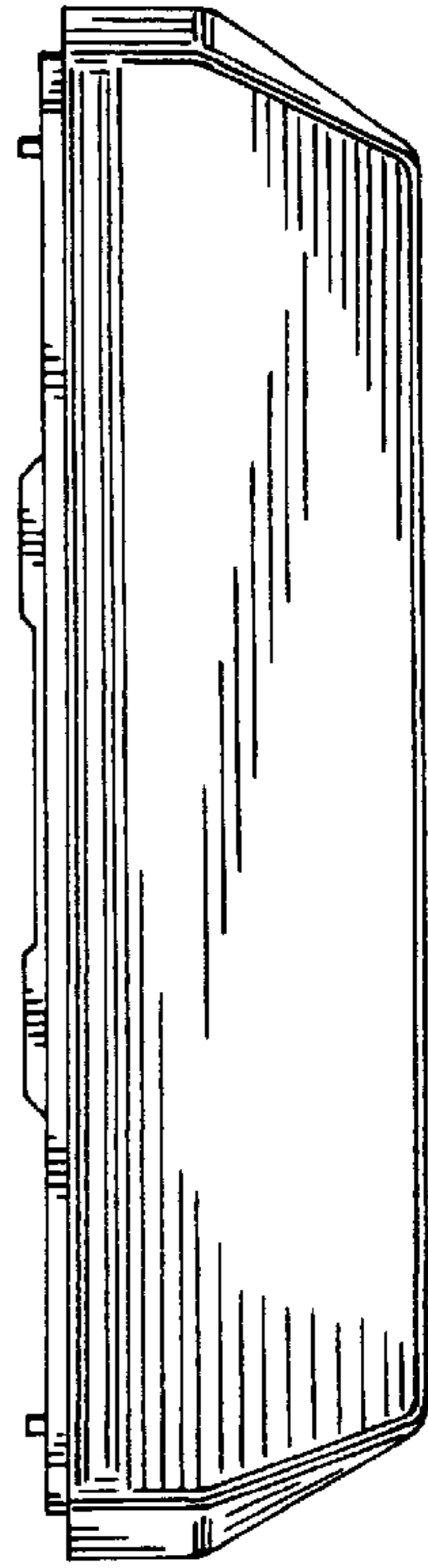


FIG. 6