



US00D435130S

United States Patent [19]
Landefeld

[11] **Patent Number: Des. 435,130**

[45] **Date of Patent: ** Dec. 12, 2000**

[54] **ROUND CONCRETE BOLLARD LUMINAIRE**

Washington Tampa Bollard, Spring City Electrical Mfg. Co.,
Jan. 1990.

[75] Inventor: **Cory W. Landefeld**, Long Beach, Calif.

Architectural Area Lighting, Concrete Bollards, 1994.

[73] Assignee: **Architectural Area Lighting**, La
Mirada, Calif.

Primary Examiner—Lisa Lichtenstein
Attorney, Agent, or Firm—Lyon & Lyon LLP

[**] Term: **14 Years**

[21] Appl. No.: **29/121,525**

[57] **CLAIM**

[22] Filed: **Apr. 7, 2000**

The ornamental design for a round concrete bollard luminaire, as shown and described.

Related U.S. Application Data

DESCRIPTION

[62] Division of application No. 29/109,349, Aug. 13, 1999, Pat.
No. Des. 426,013.

[51] **LOC (7) Cl.** **26-05**

[52] **U.S. Cl.** **D26/68**

[58] **Field of Search** D26/67-71; 362/153,
362/153.1, 431

FIG. 1 is a side elevation view of a round concrete bollard luminaire, showing my new design, the other three sides being identical to that shown,

FIG. 2 is a top view, and,

FIG. 3 is a perspective view.

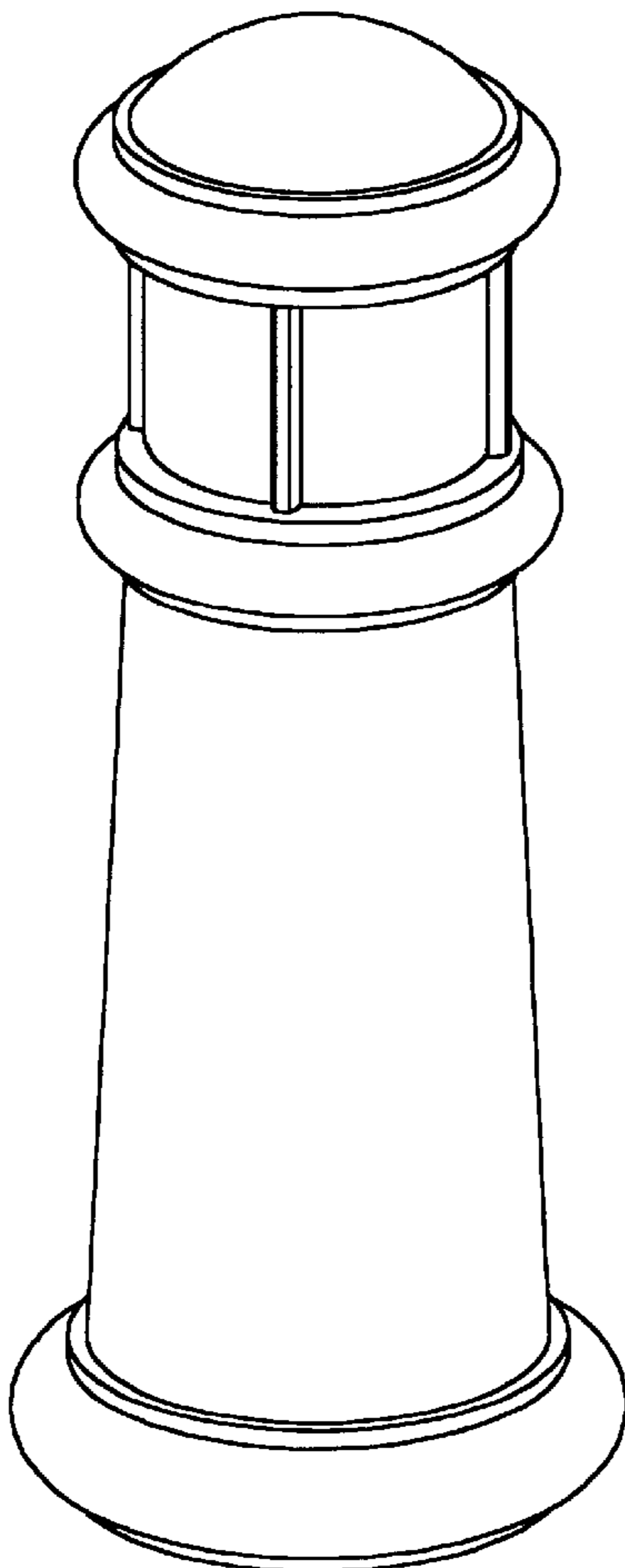
[56] **References Cited**

The bottom (not shown) of the luminaire does not constitute an integral part of the disclosed and claimed design.

PUBLICATIONS

Sternberg bollards, date unknown.
Washington Standard Bollard, Spring City Electrical Mfg.
Co., Jan. 1990.

1 Claim, 1 Drawing Sheet



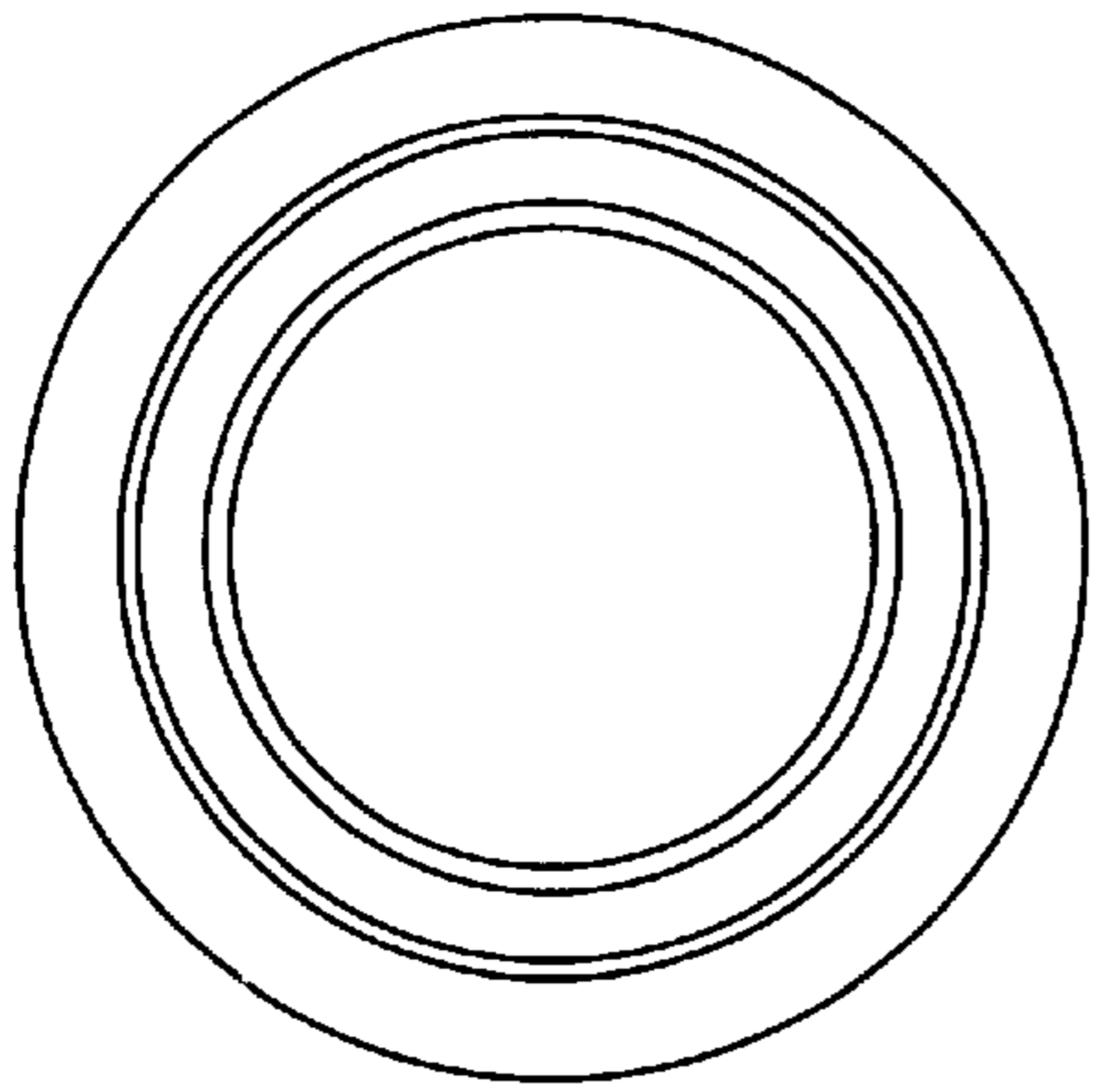


Fig. 2

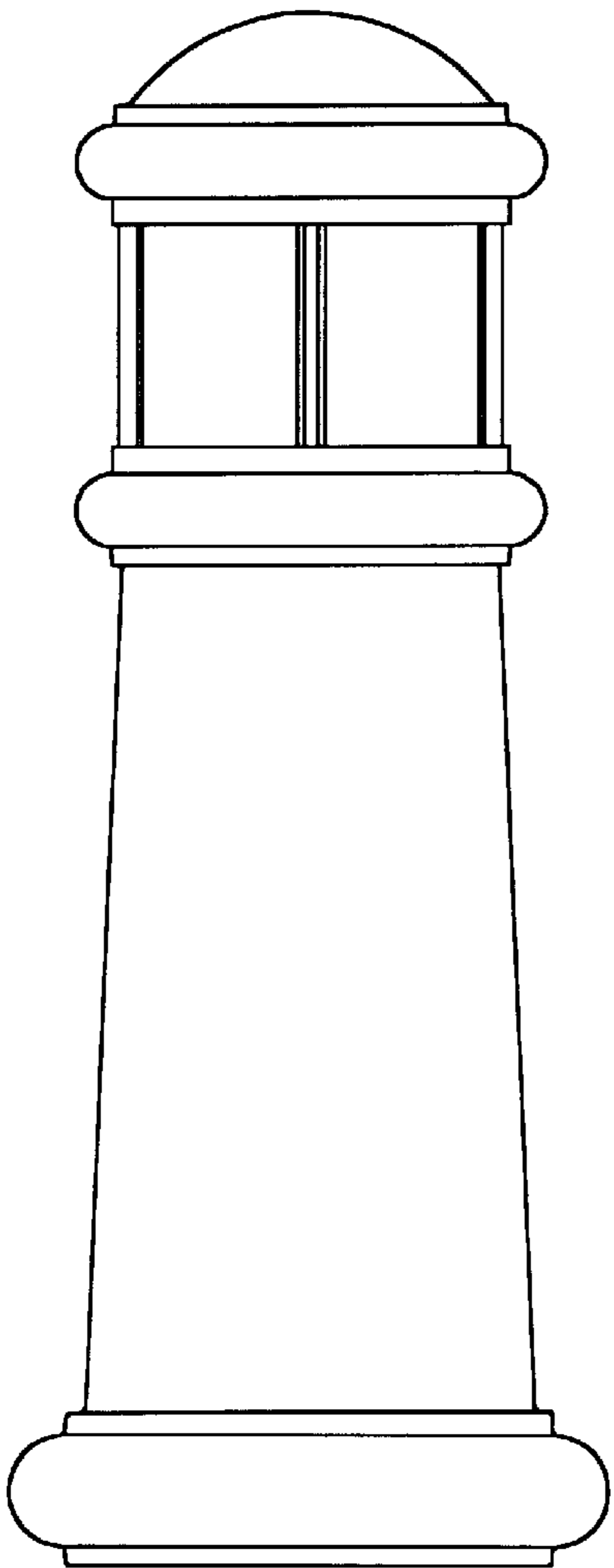


Fig. 1

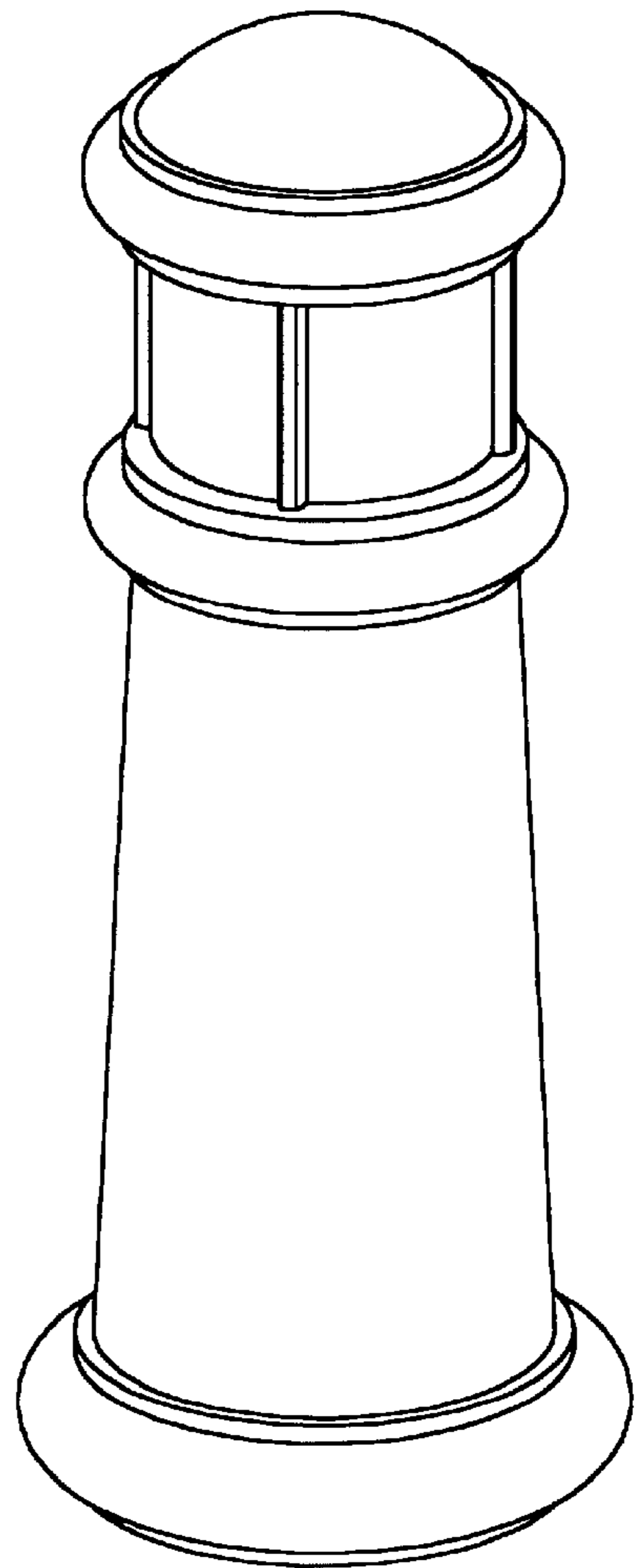


Fig. 3