



US00D435129S

United States Patent [19] Ewing

[11] **Patent Number: Des. 435,129**

[45] **Date of Patent: ** Dec. 12, 2000**

[54] **HOUSING FOR A POLE TOP LUMINAIRE**

D. 300,670 4/1989 Ewing et al. D26/67

[75] Inventor: **Robert L. Ewing**, Newark, Ohio

Primary Examiner—Lisa Lichtenstein
Attorney, Agent, or Firm—Paul M. Schwartz

[73] Assignee: **NSI Enterprises, Inc.**, Newark, Ohio

[**] Term: **14 Years**

[21] Appl. No.: **29/118,456**

[22] Filed: **Feb. 4, 2000**

[57] **CLAIM**

The ornamental design for a housing for a pole top luminaire, as shown and described.

Related U.S. Application Data

DESCRIPTION

[62] Division of application No. 29/106,718, Jun. 18, 1999, Pat. No. Des. 424,730.

FIG. 1 is a perspective view of my new design;

[51] **LOC (7) Cl.** **26-05**

FIG. 2 is a side elevational view thereof, the opposite side being a mirror image of that shown;

[52] **U.S. Cl.** **D26/67**

FIG. 3 is a top plan view thereof; and,

[58] **Field of Search** D26/67-71; 362/153, 362/153.1, 431

FIG. 4 is a bottom plan view thereof.

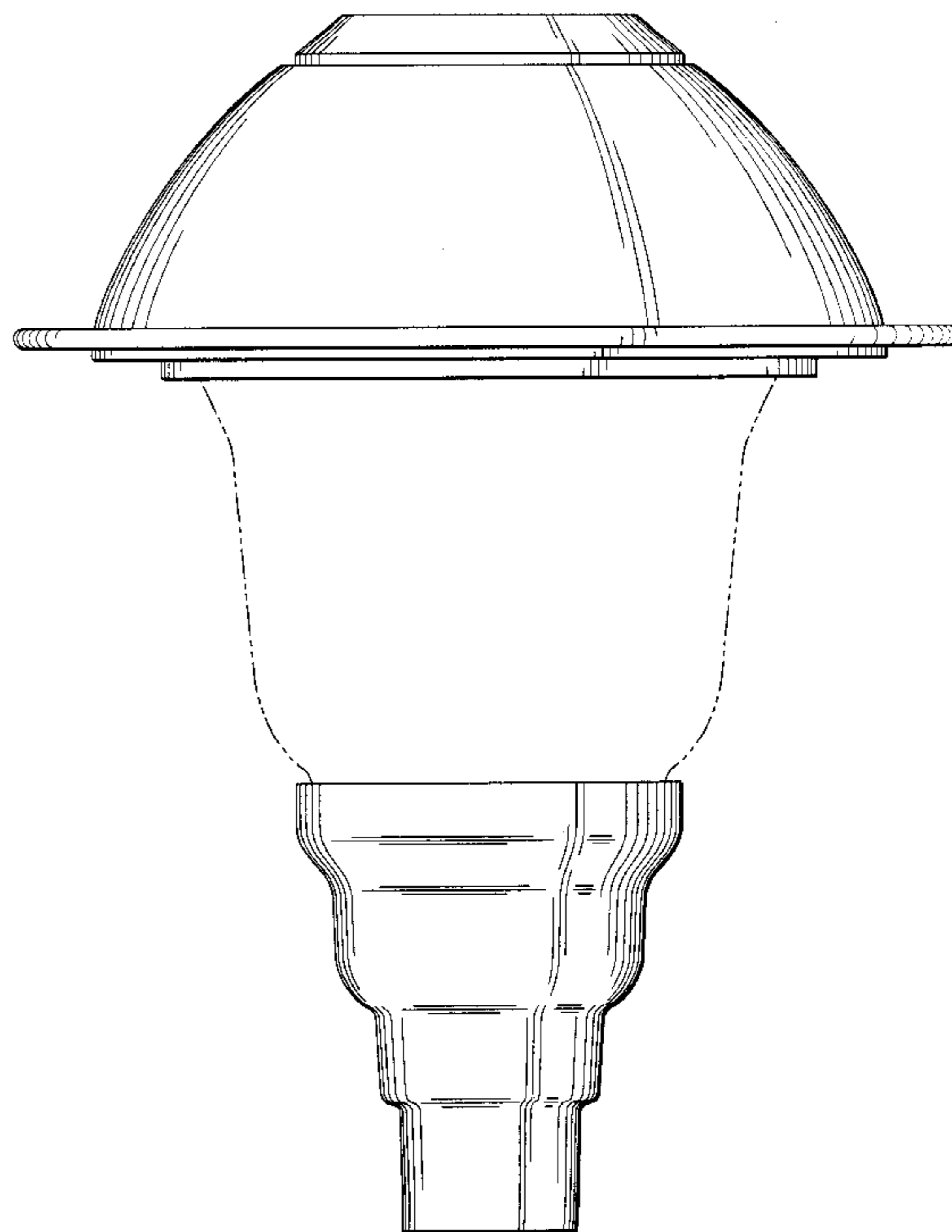
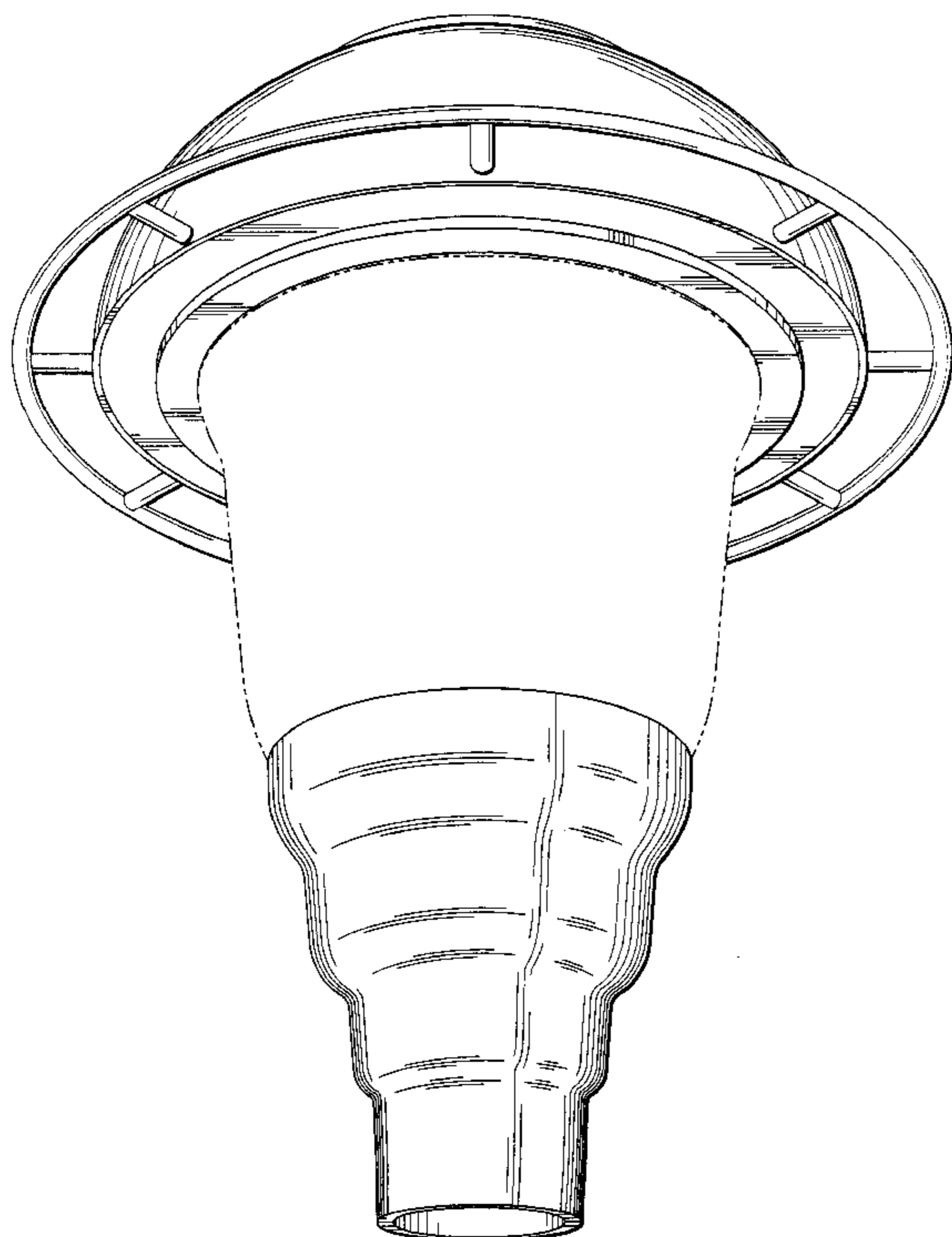
The broken line showing in FIGS. 1, 2 and 4 is for illustrative purpose only and forms no part of the claimed design.

[56] **References Cited**

U.S. PATENT DOCUMENTS

D. 284,223 6/1986 Harvey D26/67

1 Claim, 3 Drawing Sheets



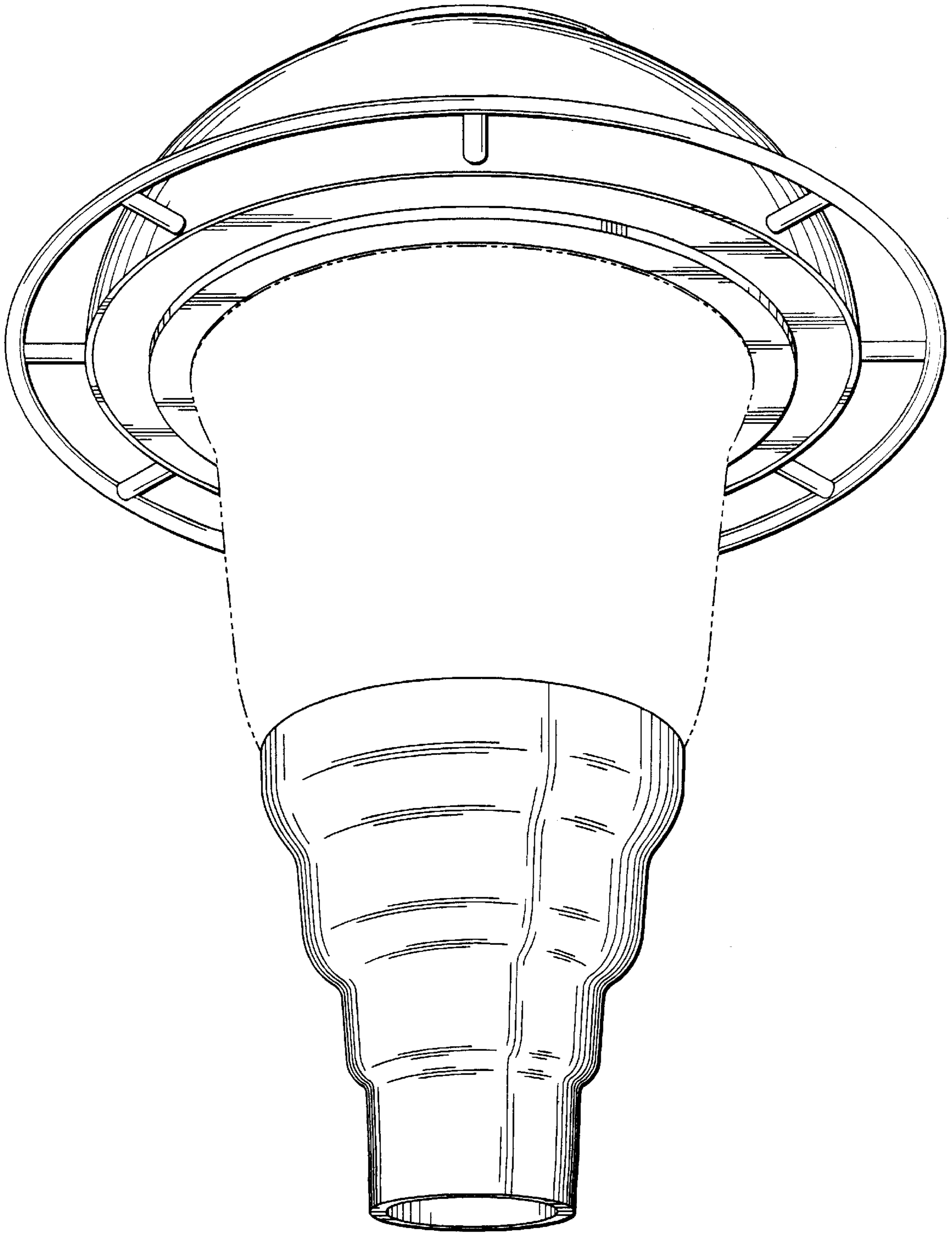


Fig. 1

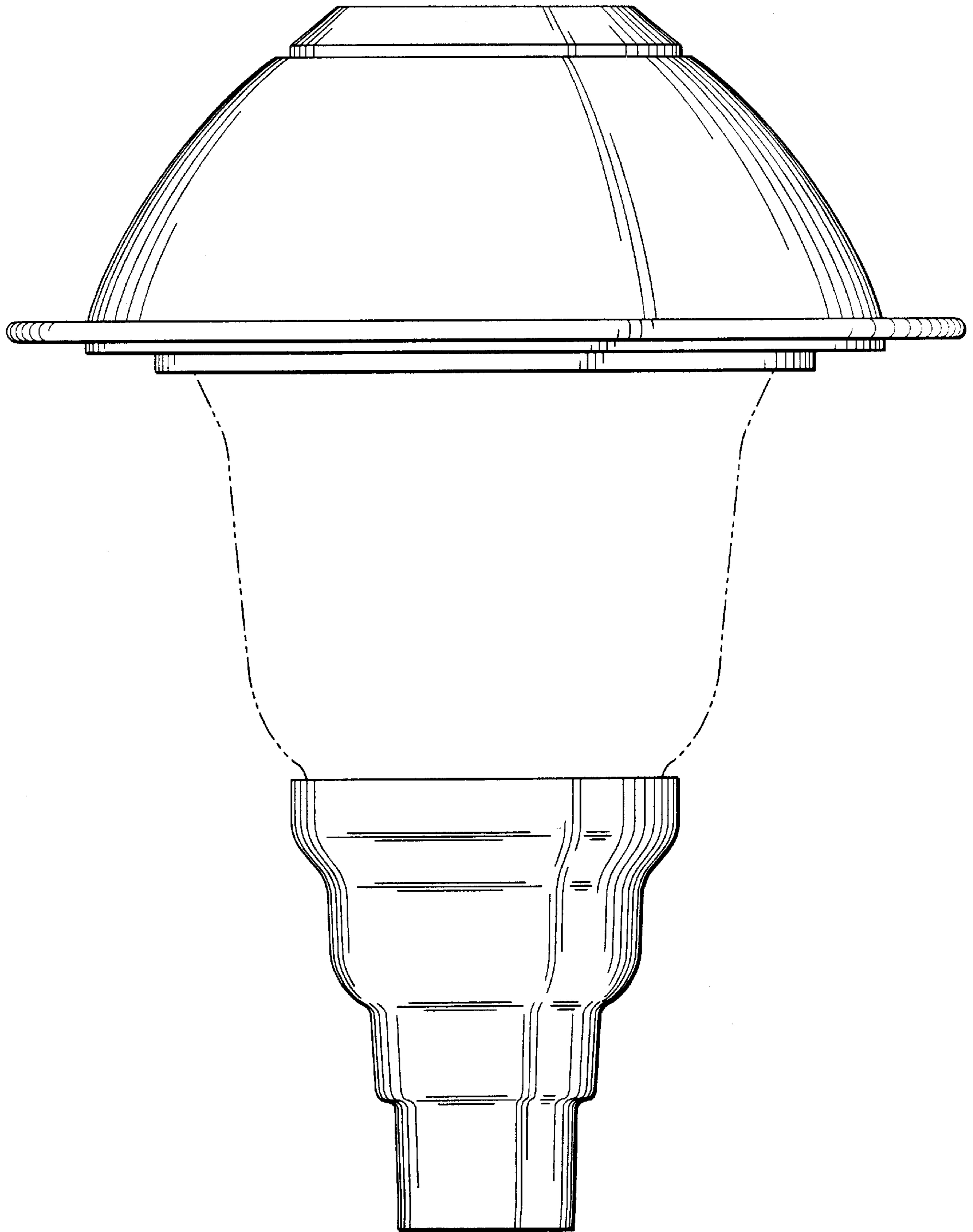


Fig. 2

Fig. 3

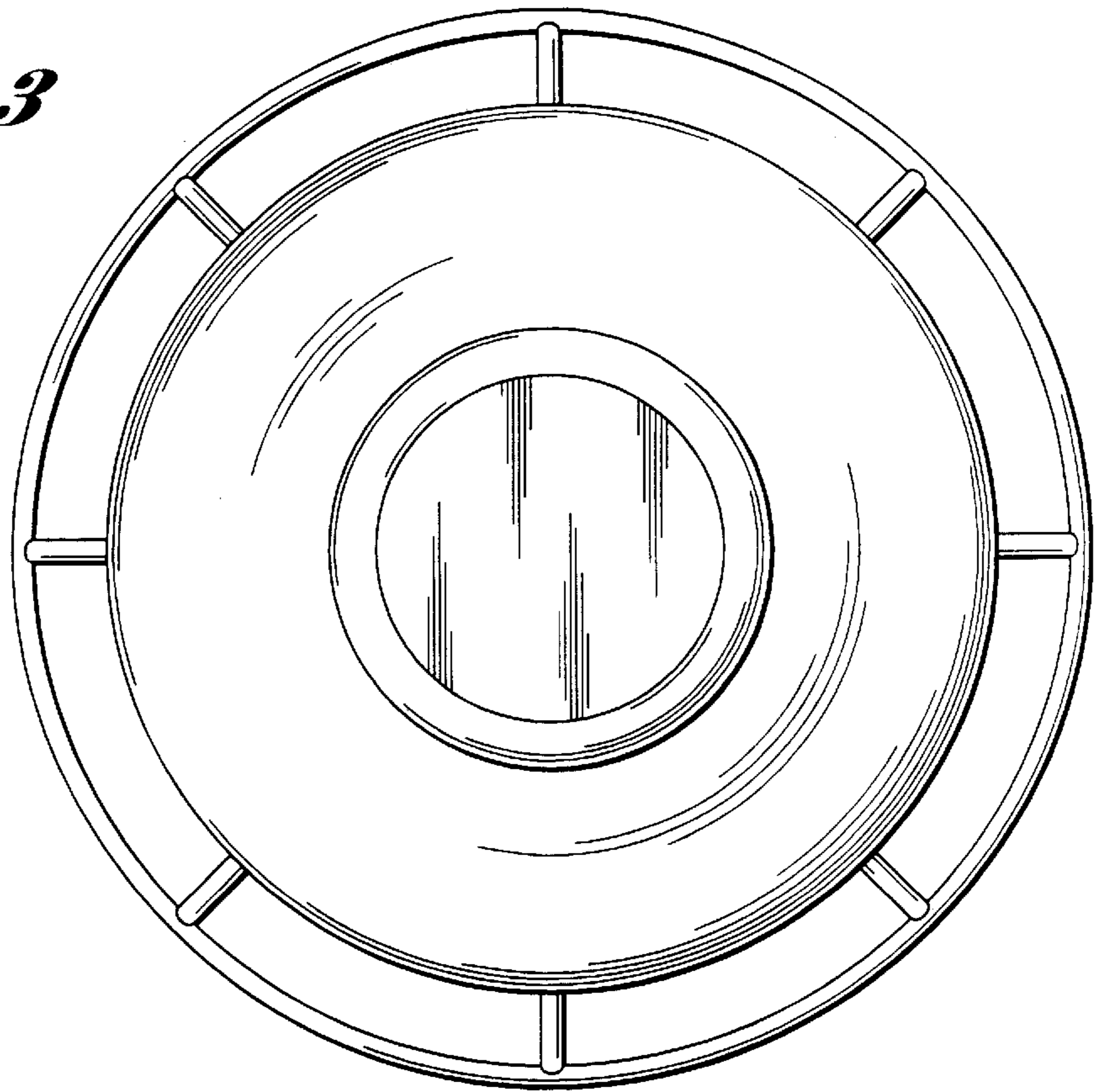


Fig. 4

