



US00D435126S

# United States Patent [19]

Abry

[11] Patent Number: Des. 435,126

[45] Date of Patent: \*\* Dec. 12, 2000

[54] LAMP

[75] Inventor: Emil Abry, Hosle, Norway

[73] Assignee: Luxo Asa, Olso, Norway

[\*\*] Term: 14 Years

[21] Appl. No.: 29/104,965

[22] Filed: May 11, 1999

D. 396,311 7/1998 Sacco et al. .... D26/28

D. 400,273 10/1998 Manske et al. .... D26/28

D. 403,443 12/1998 Sacco et al. .... D26/28

D. 406,911 3/1999 Sacco et al. .... D26/28

D. 406,912 3/1999 Sacco et al. .... D26/28

Primary Examiner—Marcus A. Jackson  
 Attorney, Agent, or Firm—Ladas & Parry

### Related U.S. Application Data

[63] Continuation-in-part of application No. 29/102,160, Mar. 18, 1999.

[51] LOC (7) Cl. .... 26-06

[52] U.S. Cl. .... D26/28

[58] Field of Search ..... D26/28-36; 362/61, 362/80, 83.4, 267, 269, 275, 278, 327, 328, 329, 330-340

### [57] CLAIM

I claim the ornamental design for a lamp, as shown and described.

### DESCRIPTION

FIG. 1 is a top/front/left-side perspective view of my new design for a lamp;

FIG. 2 is a top plan view of the lamp;

FIG. 3 is a bottom plan view of the lamp;

FIG. 4 is a front elevational view of the lamp;

FIG. 5 is a rear elevational view of the lamp;

FIG. 6 is a left side elevational view of the lamp; and,

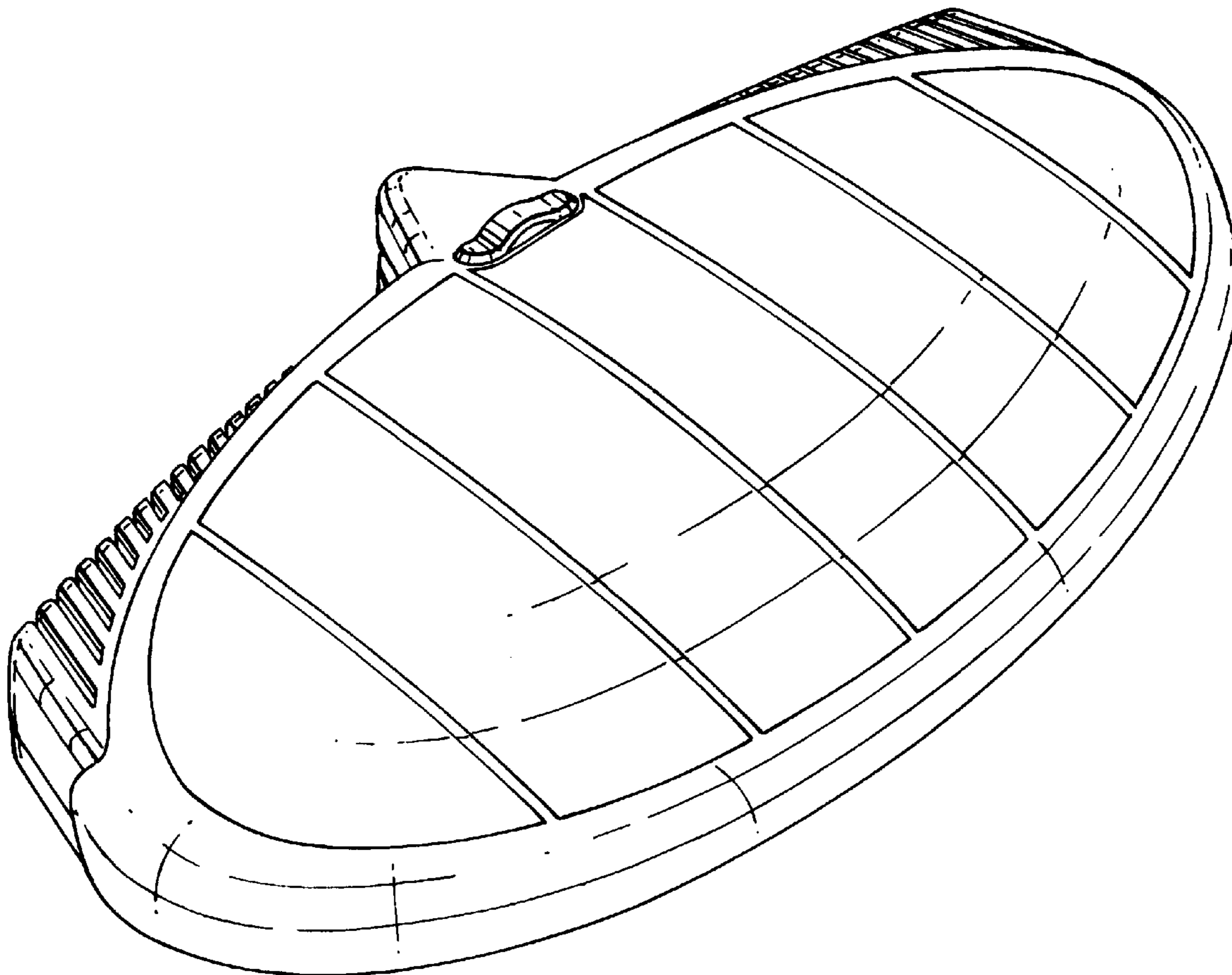
FIG. 7 is a right side elevational view of the lamp.

### [56] References Cited

#### U.S. PATENT DOCUMENTS

D. 391,652 3/1998 Sacco et al ..... D26/28

1 Claim, 5 Drawing Sheets



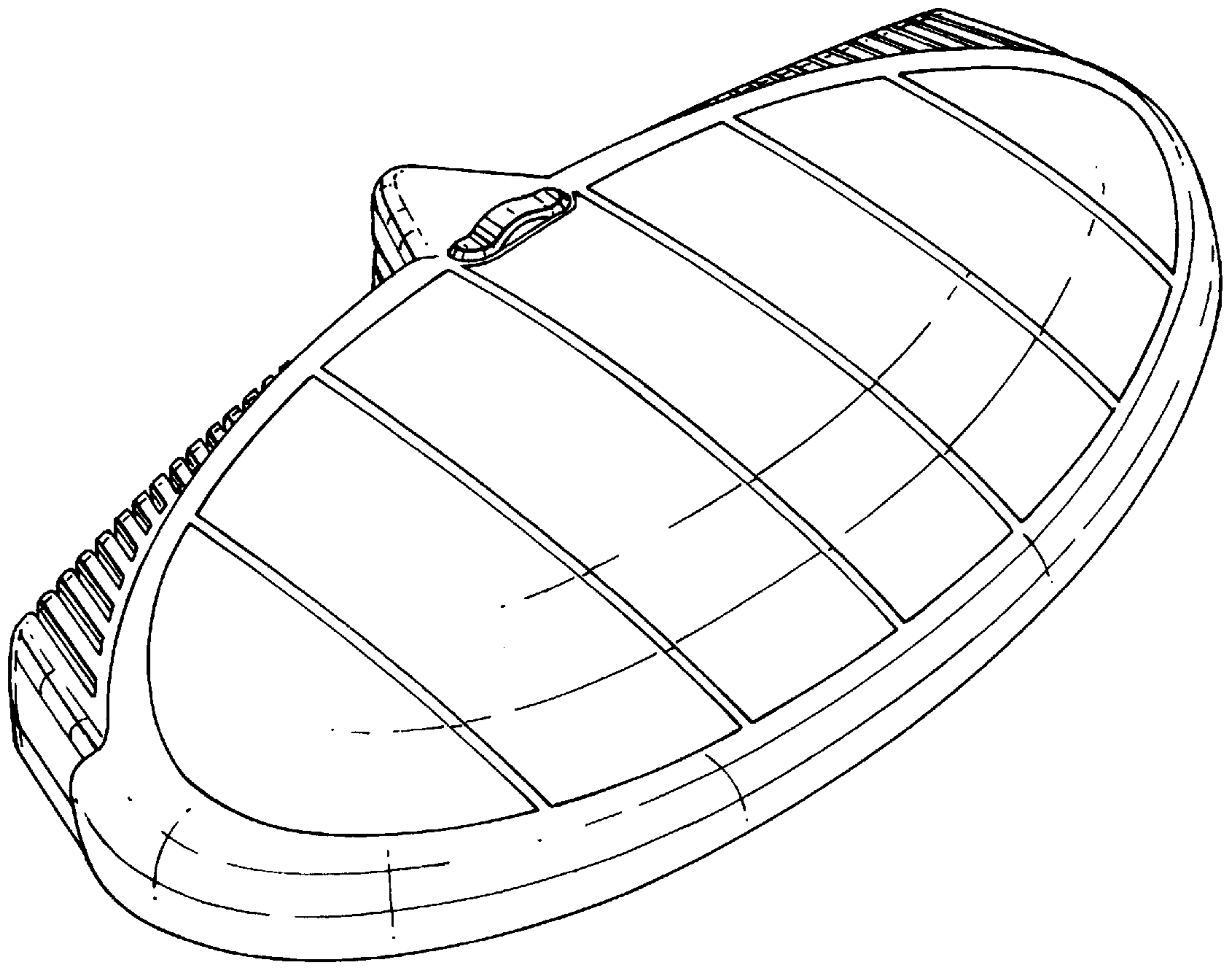


Fig.1.

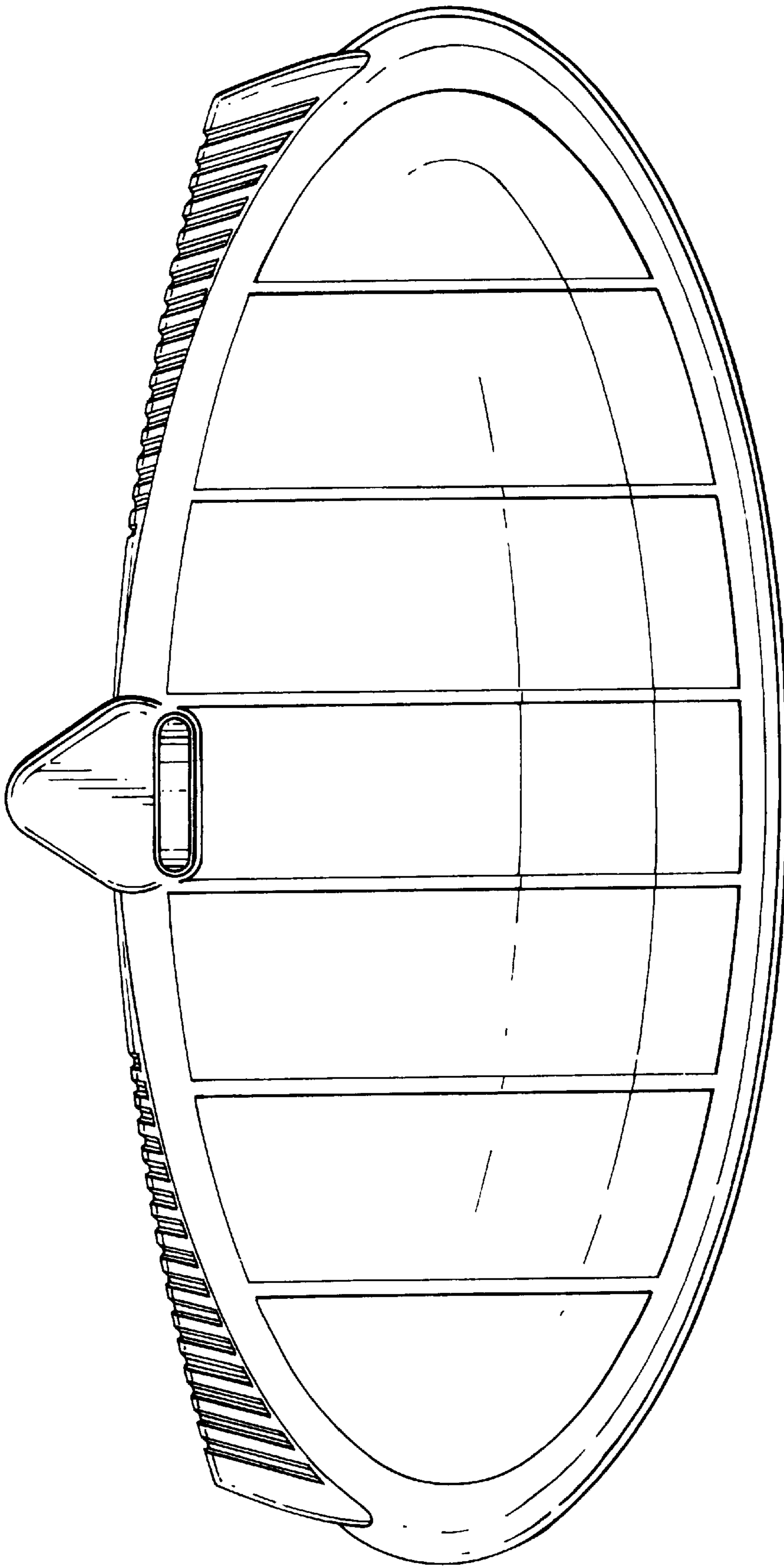


Fig.2.

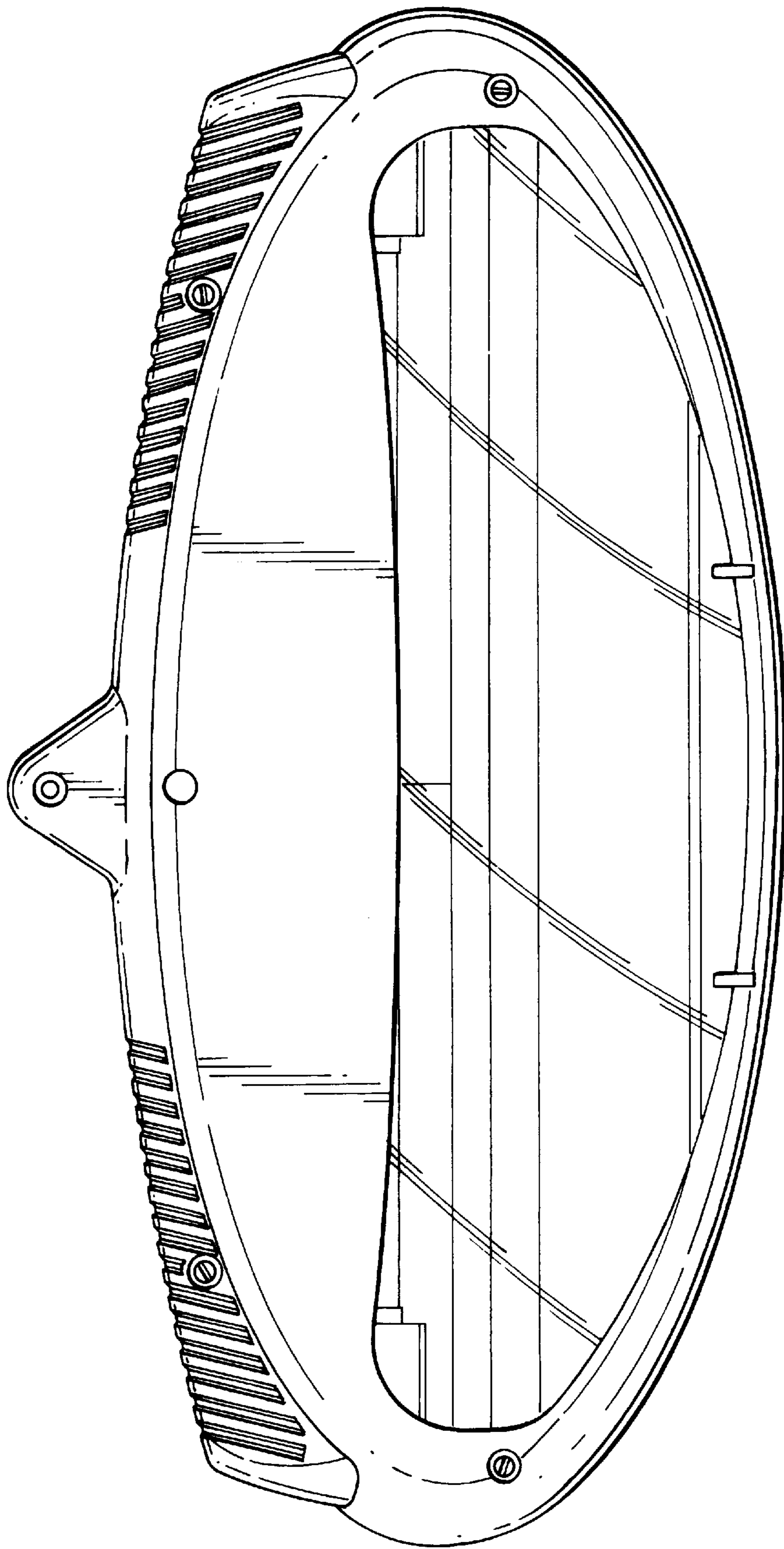


Fig.3.

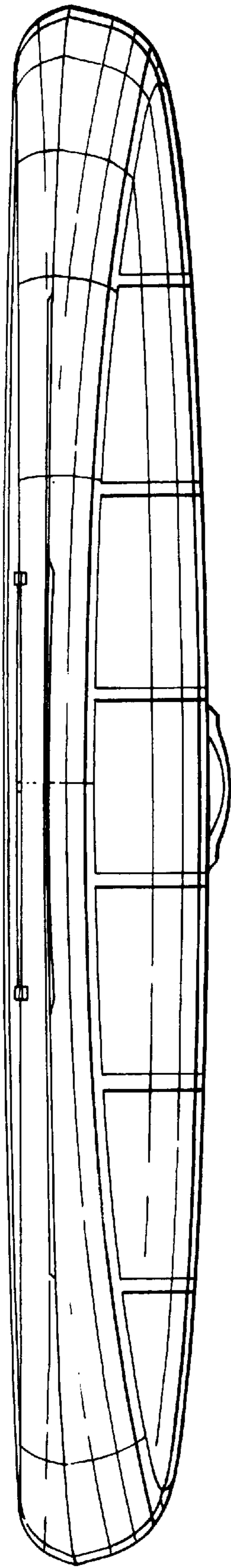


Fig.4.

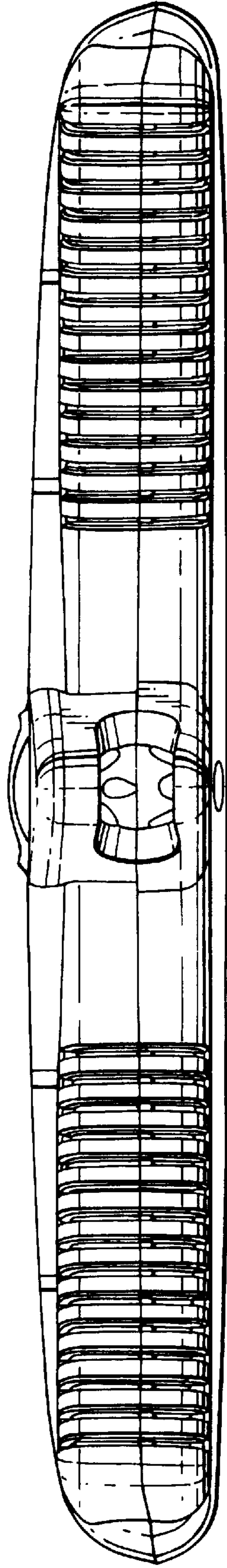


Fig.5.

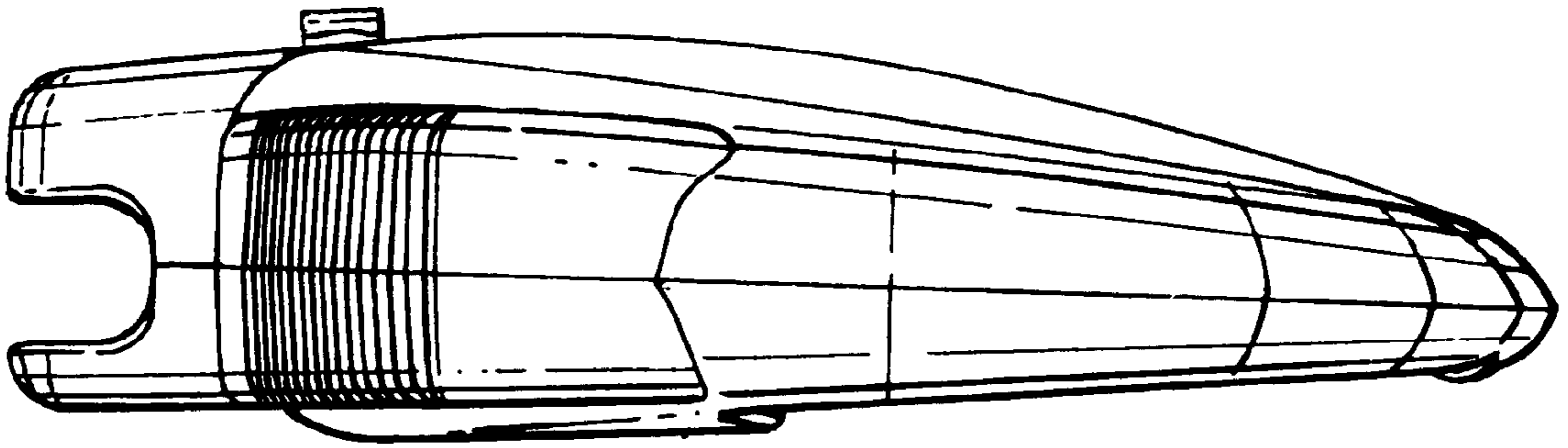


Fig.6.

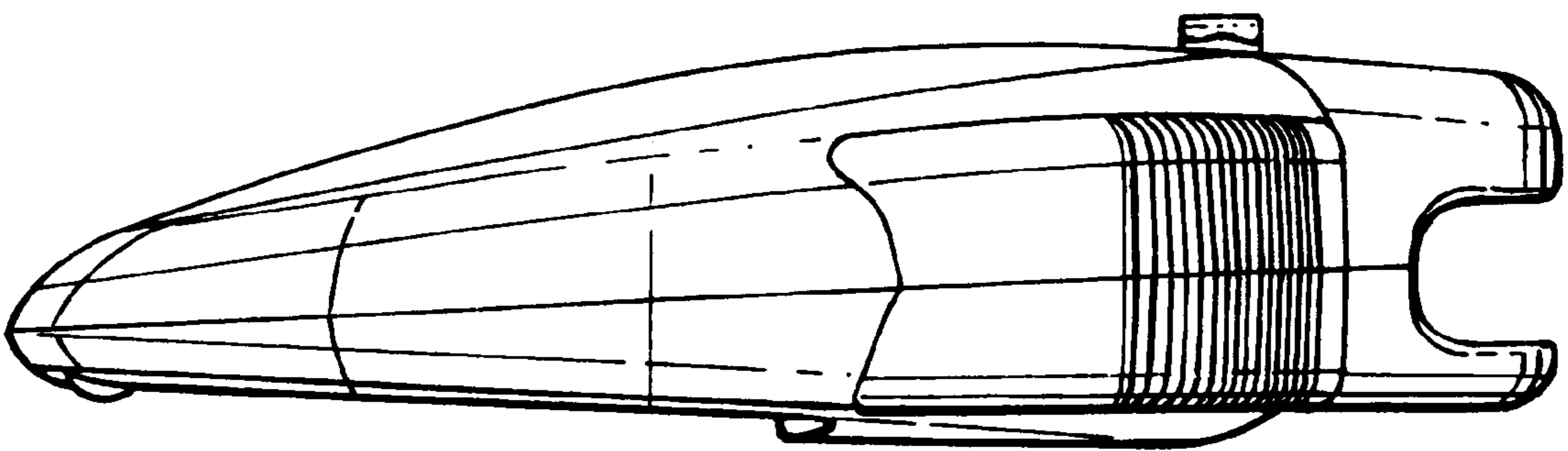


Fig.7.