



US00D435125S

United States Patent [19]

Boessel

[11] Patent Number: Des. 435,125

[45] Date of Patent: ** Dec. 12, 2000

[54] TASK LIGHT FIXTURE

[75] Inventor: George Boessel, Boston, Mass.

[73] Assignee: American Tack & Hardware Co., Inc., Monsey, N.Y.

[**] Term: 14 Years

[21] Appl. No.: 29/119,446

[22] Filed: Mar. 1, 2000

[51] LOC (7) Cl. 26-05

[52] U.S. Cl. D26/26

[58] Field of Search D26/26, 72, 24, D26/118, 120, 122, 123, 128; 362/226, 20, 147, 276, 253, 95

[56] **References Cited**

U.S. PATENT DOCUMENTS

- D. 313,864 1/1991 Macaluso D26/29
- D. 328,800 8/1992 Cooper D26/118
- D. 359,575 6/1995 How et al. D26/26

- D. 363,250 10/1995 Miyatake D26/72 X
- D. 397,814 9/1998 Pun D26/26
- D. 411,001 6/1999 Pinchuk D26/26 X
- D. 422,966 4/2000 Yu D26/26 X

Primary Examiner—Cynthia E Ramirez
Attorney, Agent, or Firm—Hedman, Gibson & Costigan, P.C.

[57] **CLAIM**

The ornamental design for a task light fixture, as shown and described.

DESCRIPTION

FIG. 1 is a front perspective view of the task light fixture according to my design;
FIG. 2 is a top view of my design;
FIG. 3 is a bottom view of my design;
FIG. 4 is a front view of my design;
FIG. 5 is a right side view of my design;
FIG. 6 is a left side view of my design; and,
FIG. 7 is a back view of my design.

1 Claim, 4 Drawing Sheets

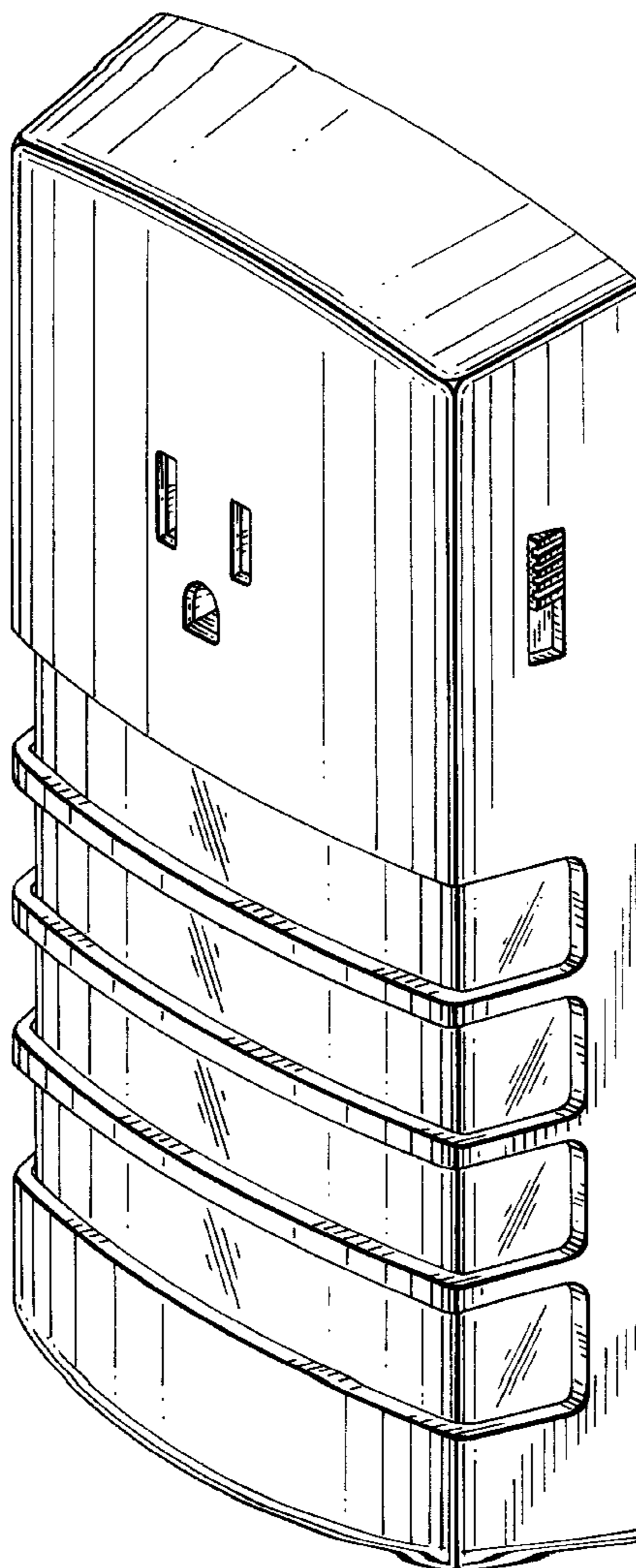


FIG. 1

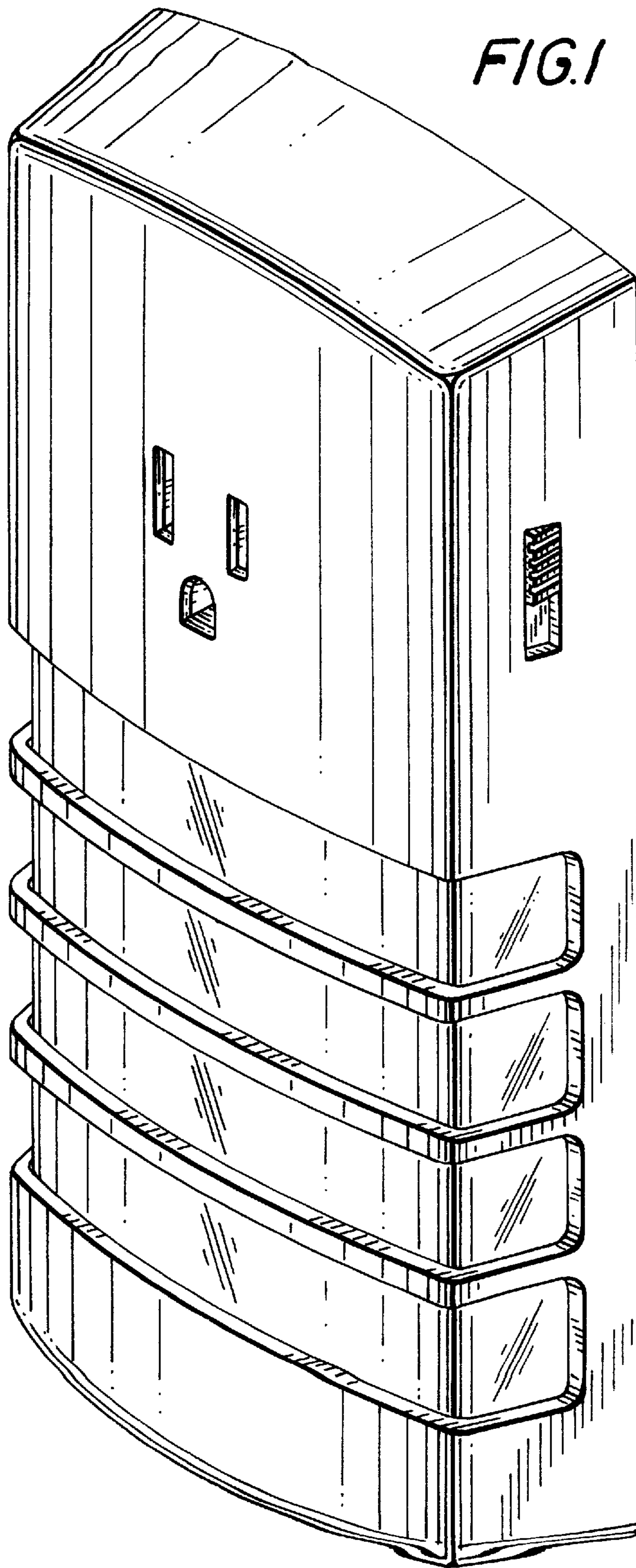


FIG. 2

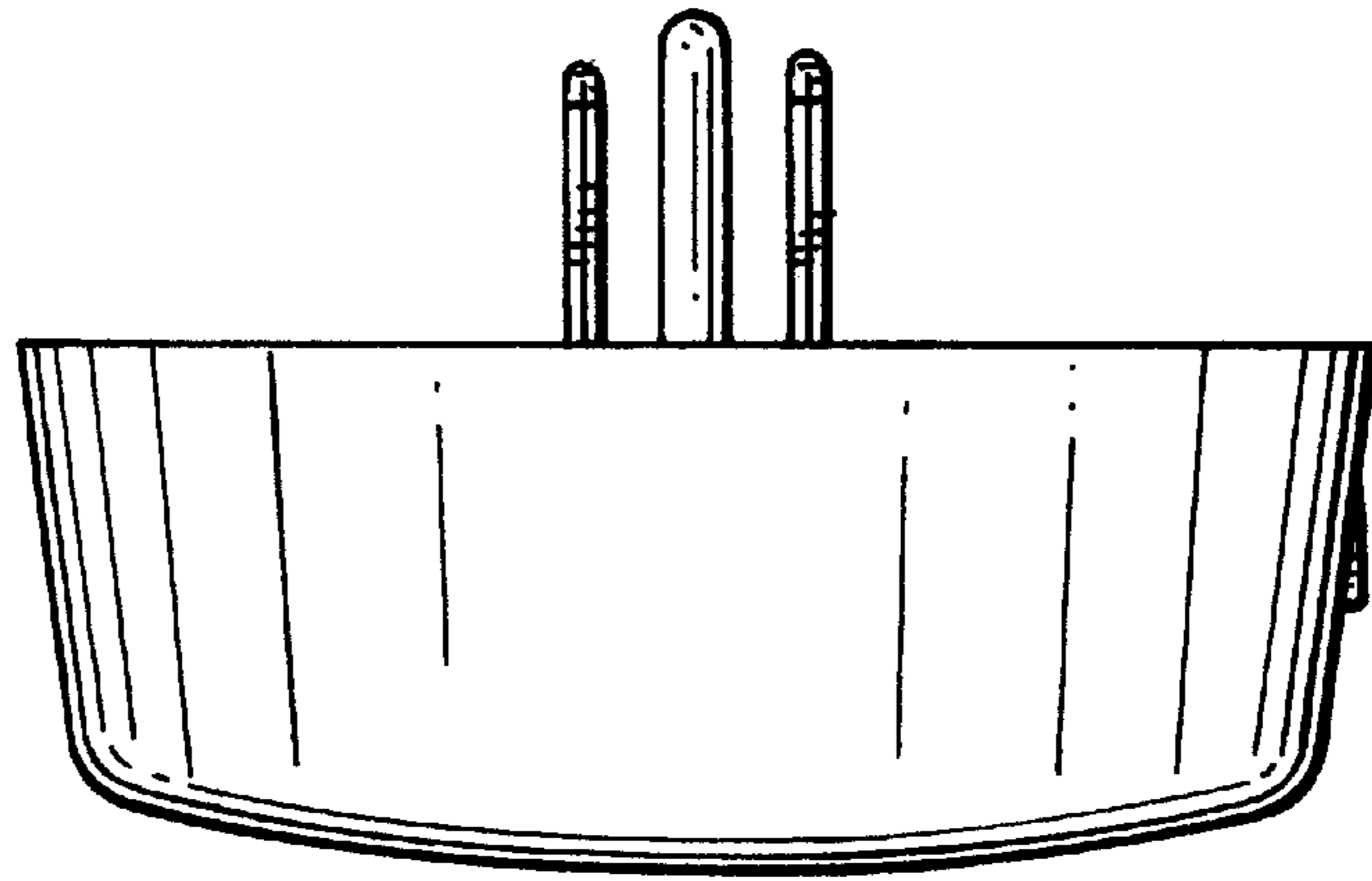


FIG. 3

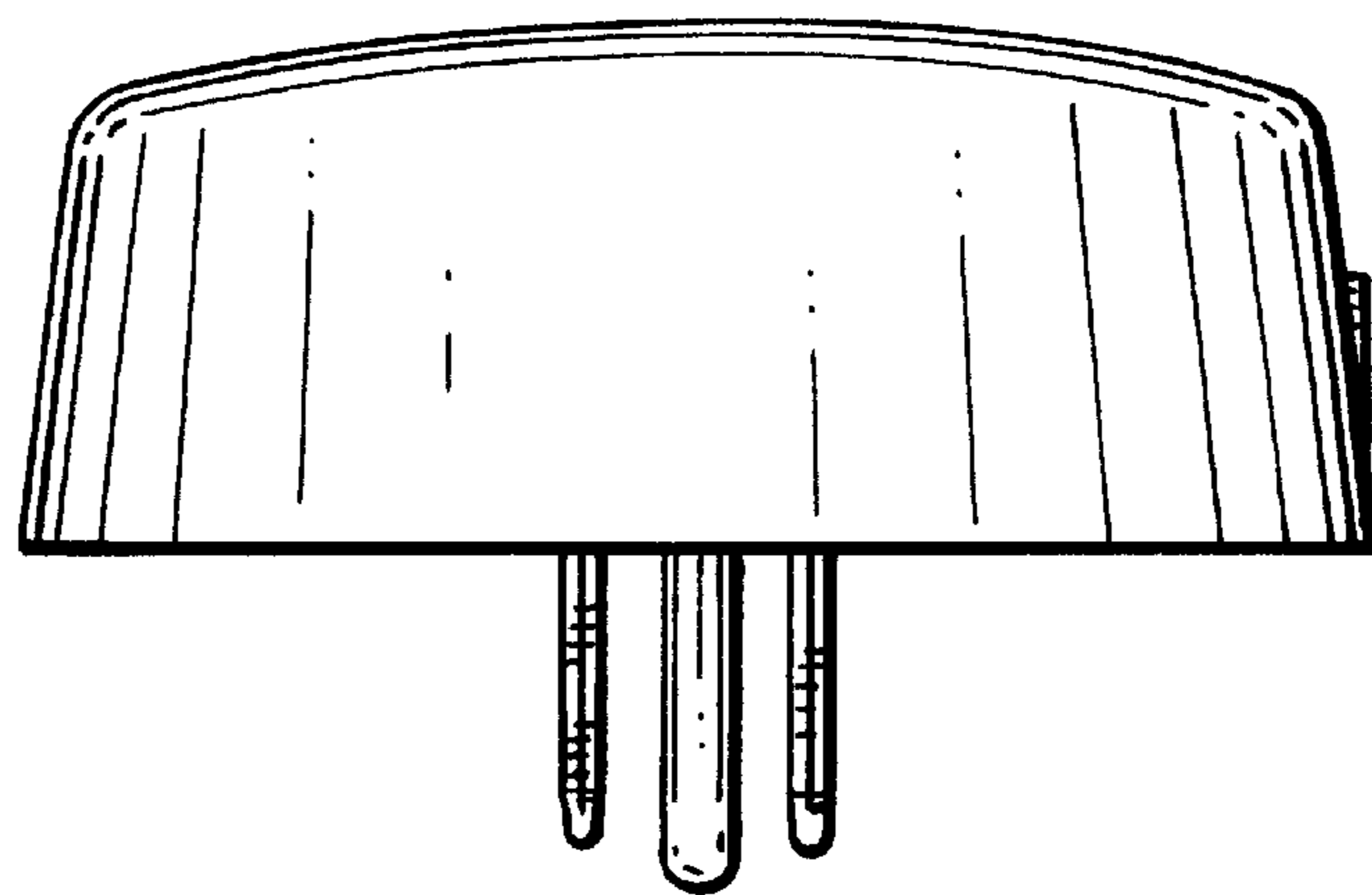


FIG. 4

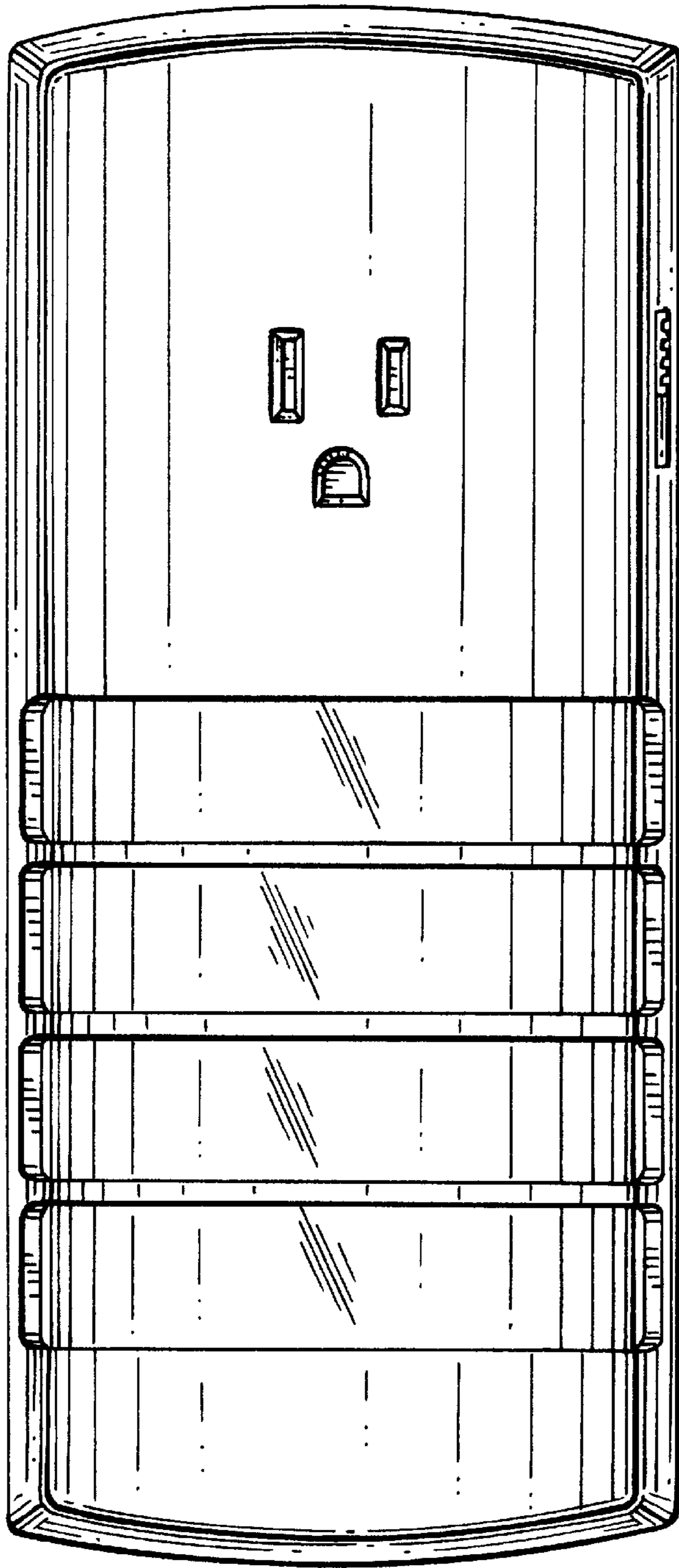


FIG. 5

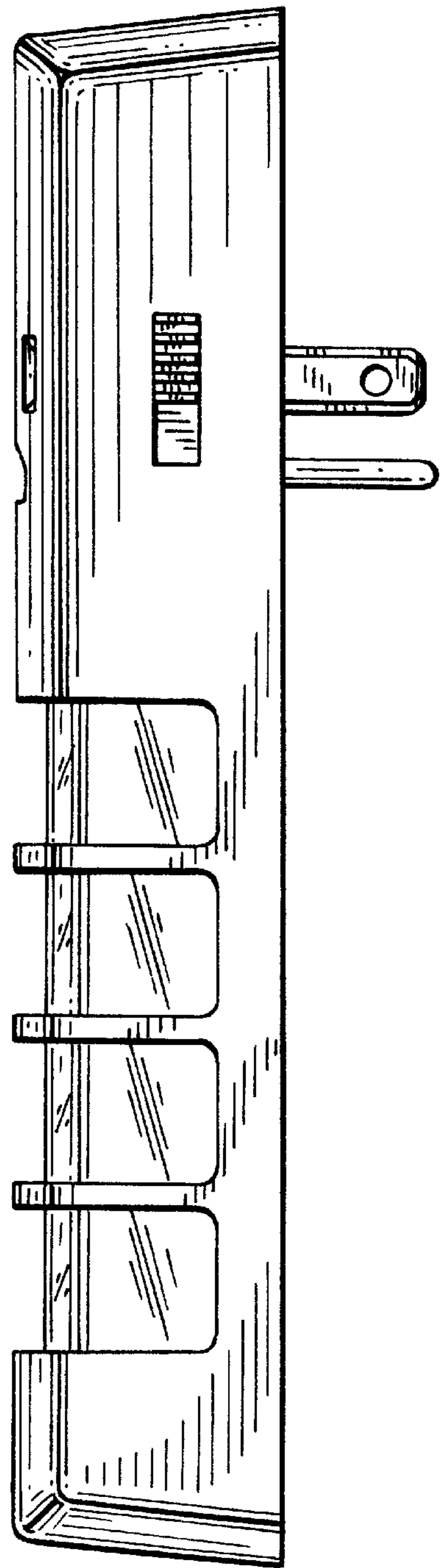


FIG. 6

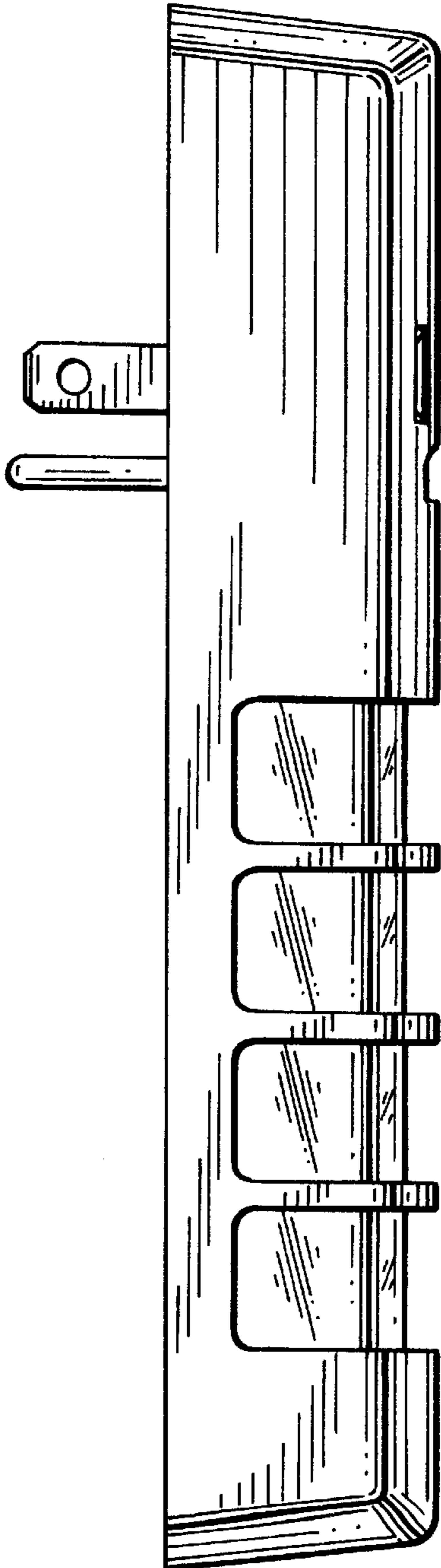


FIG. 7

