



US00D435124S

United States Patent [19] Yuen

[11] **Patent Number: Des. 435,124**

[45] **Date of Patent: ** Dec. 12, 2000**

[54] **NIGHT LIGHT**

[75] **Inventor: John Se-Kit Yuen**, Kowloon, The Hong Kong Special Administrative Region of the People's Republic of China

[73] **Assignee: John Manufacturing Limited**, Kowloon, The Hong Kong Special Administrative Region of the People's Republic of China

[**] **Term: 14 Years**

[21] **Appl. No.: 29/099,961**

[22] **Filed: Feb. 1, 1999**

[51] **LOC (7) Cl. 26-05**

[52] **U.S. Cl. D26/26**

[58] **Field of Search** D26/25, 26, 24, D26/72, 80, 81, 82, 83, 106; 362/147, 404, 432, 367, 226

[56] **References Cited**

U.S. PATENT DOCUMENTS

- D. 230,189 1/1974 Dietz et al. D26/26
- D. 352,564 11/1994 Marischen D26/26
- D. 375,808 11/1996 Fang D26/26
- D. 376,436 12/1996 Emmerling D26/26

- D. 377,535 1/1997 Shulman D26/26
- D. 378,617 3/1997 Yuen .
- D. 392,756 3/1998 Hanig et al. D26/26
- D. 401,367 11/1998 DeLay D26/26
- D. 403,442 12/1998 Joss D26/26
- D. 404,508 1/1999 Marischen D26/26
- D. 408,934 4/1999 Garrity D26/26
- D. 419,701 1/2000 Schifrin D26/26

FOREIGN PATENT DOCUMENTS

2051292 10/1995 United Kingdom .

Primary Examiner—Cynthia E. Ramirez
Attorney, Agent, or Firm—Mattingly, Stanger & Malur

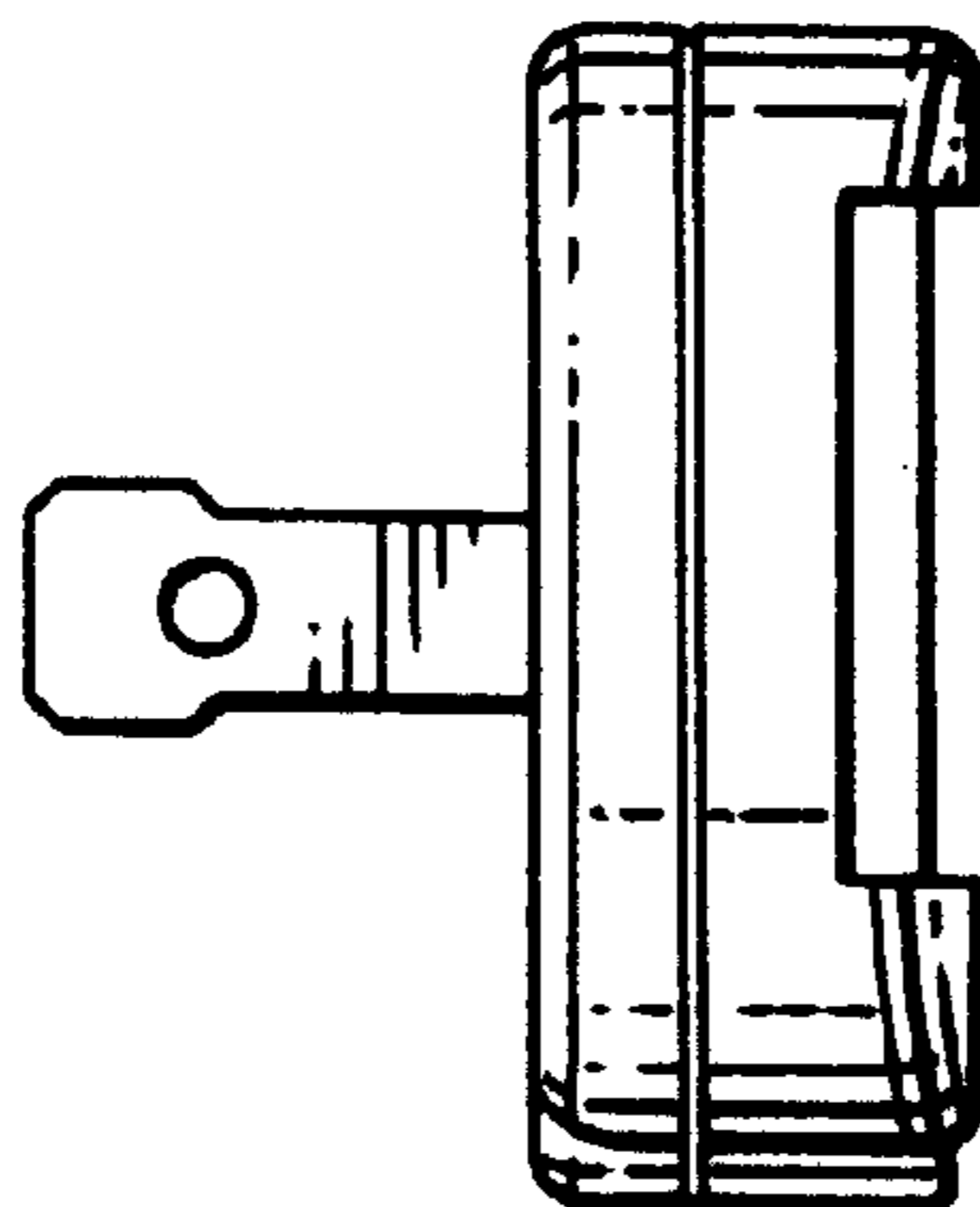
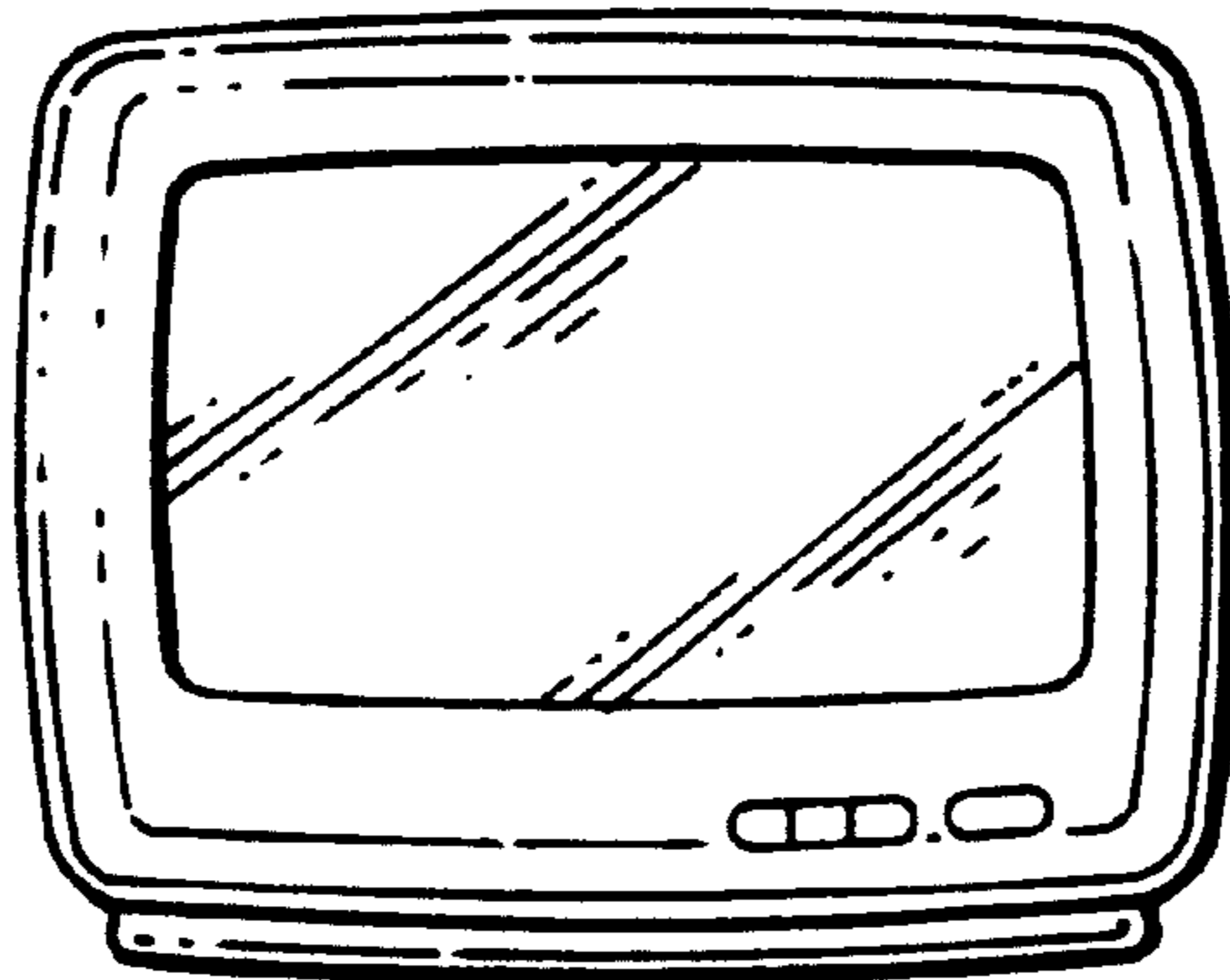
[57] **CLAIM**

The ornamental design for a night light, as shown and described.

DESCRIPTION

FIG. 1 is a front elevational view of a night light showing my new design;
FIG. 2 is a rear elevational view thereof;
FIG. 3 is a left side elevational view thereof;
FIG. 4 is a right side elevational view thereof;
FIG. 5 is a top plan view thereof; and,
FIG. 6 is a bottom plan view thereof.

1 Claim, 1 Drawing Sheet



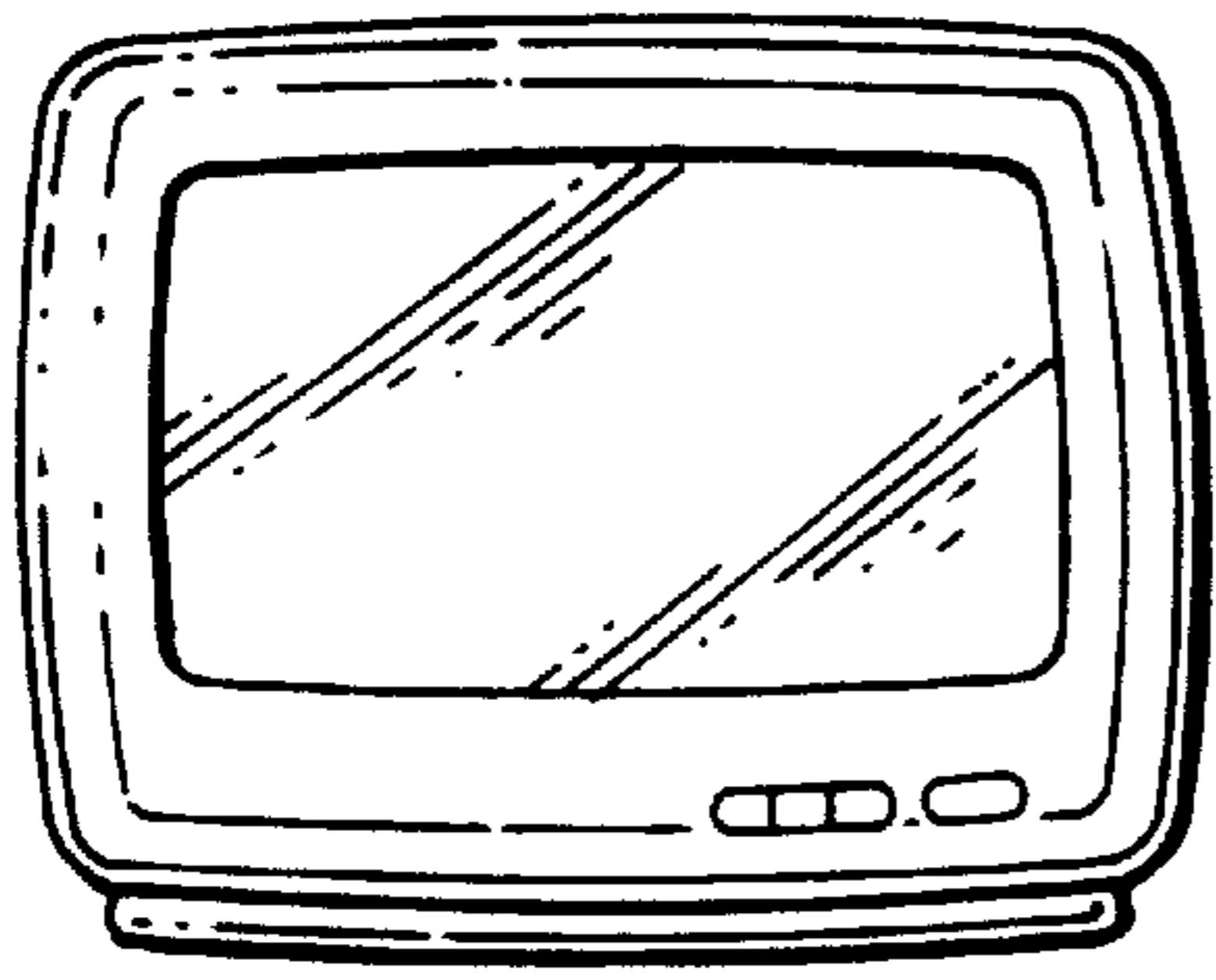


FIG. 1

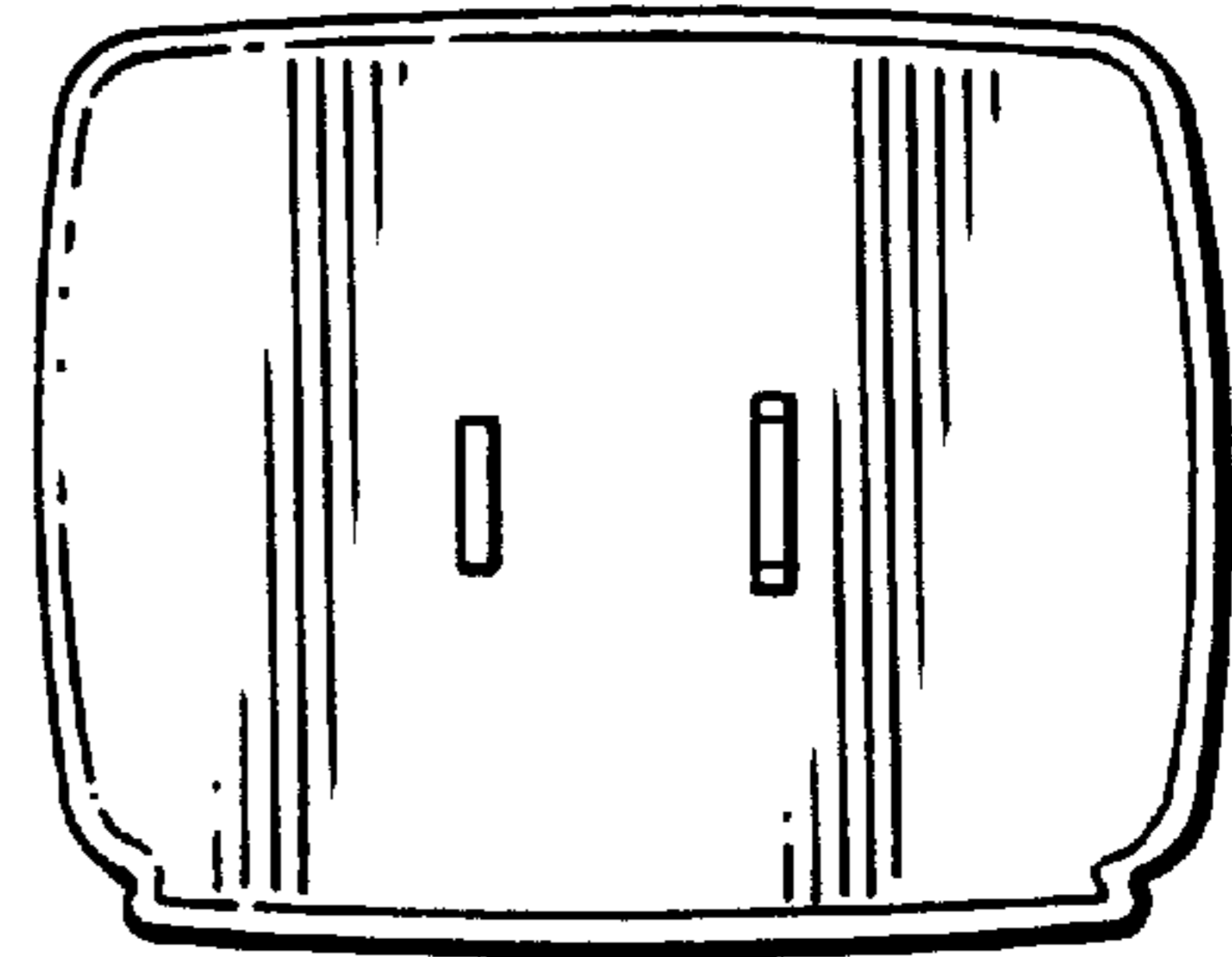


FIG. 2

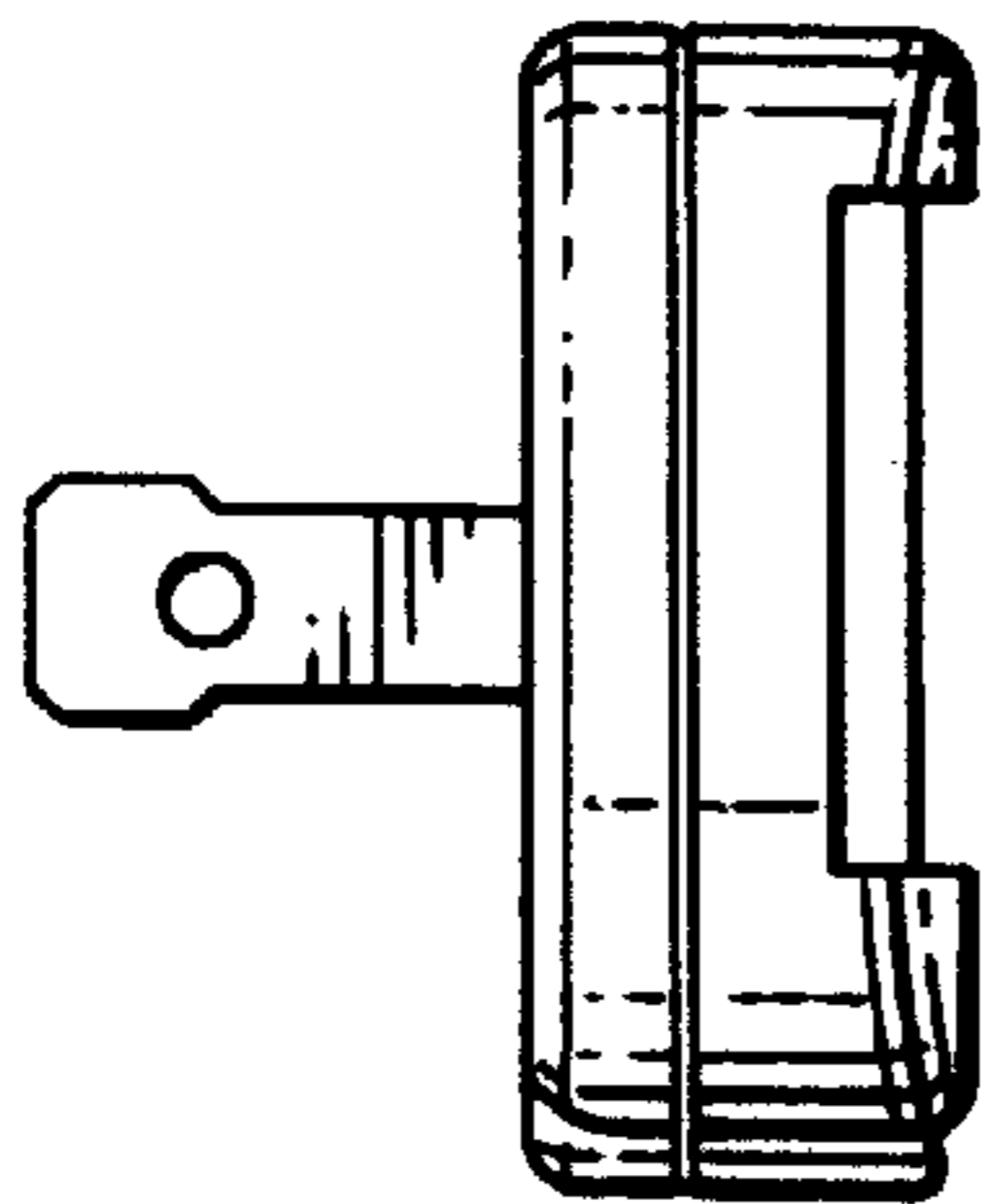


FIG. 3

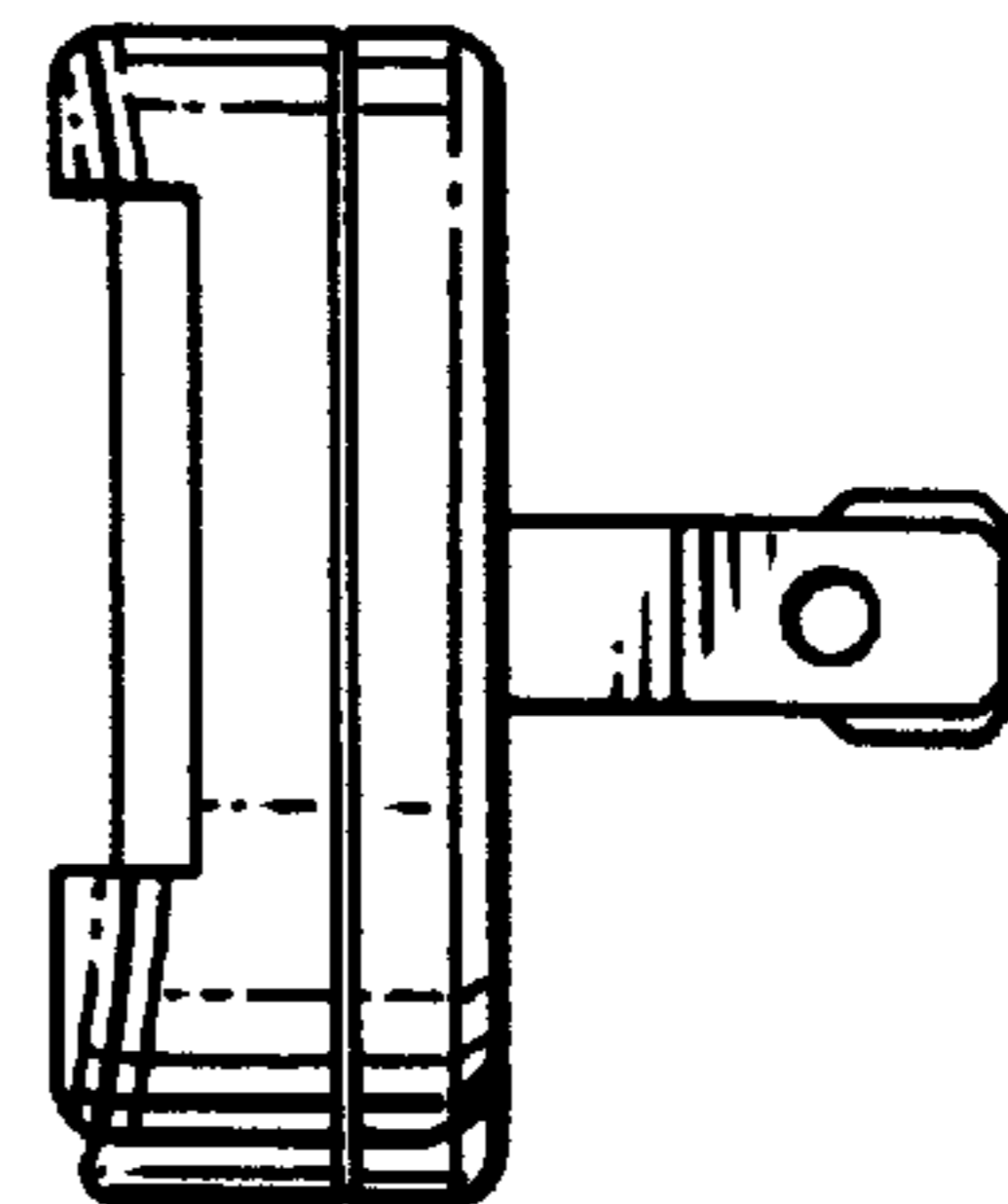


FIG. 4

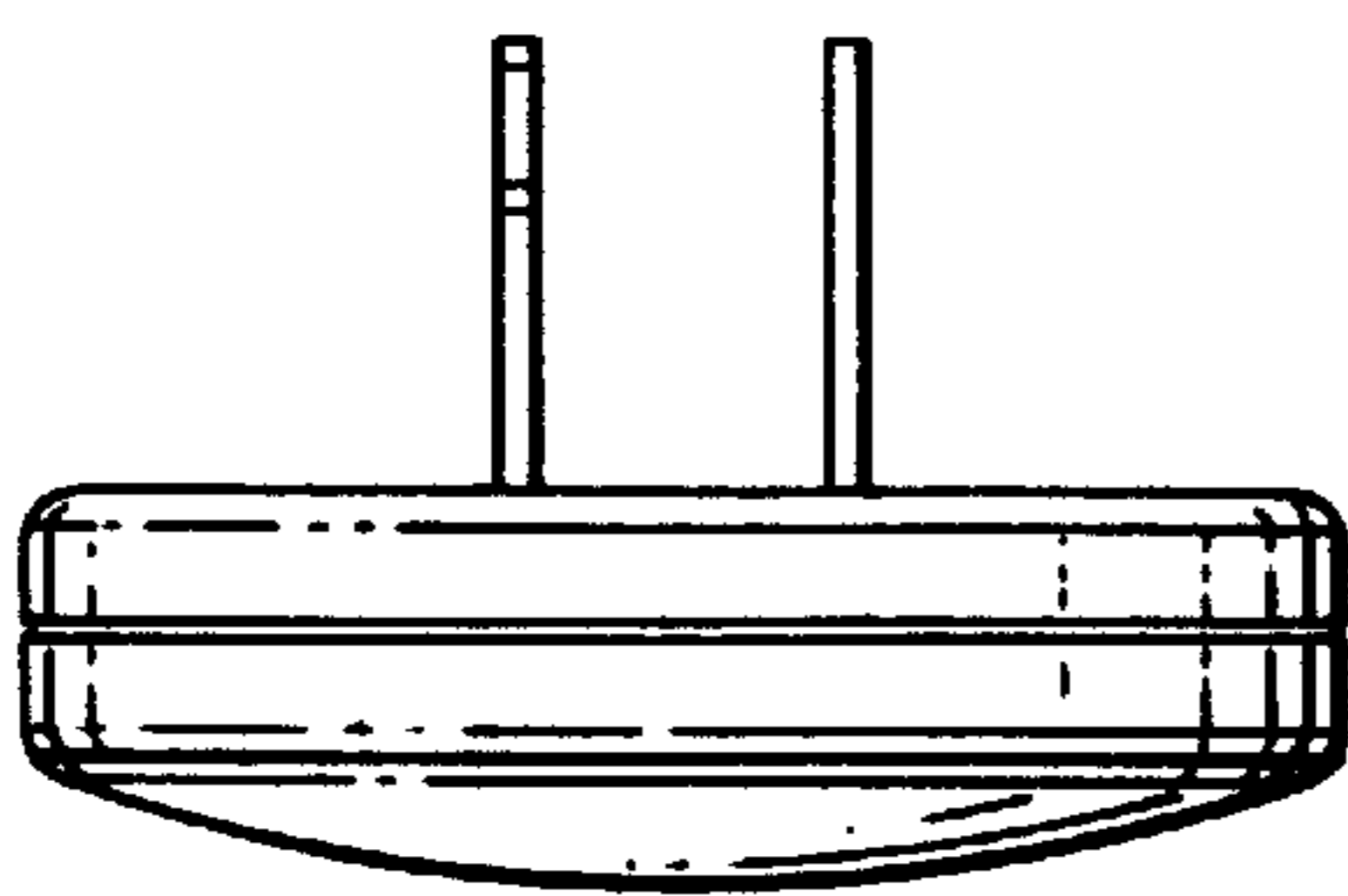


FIG. 5

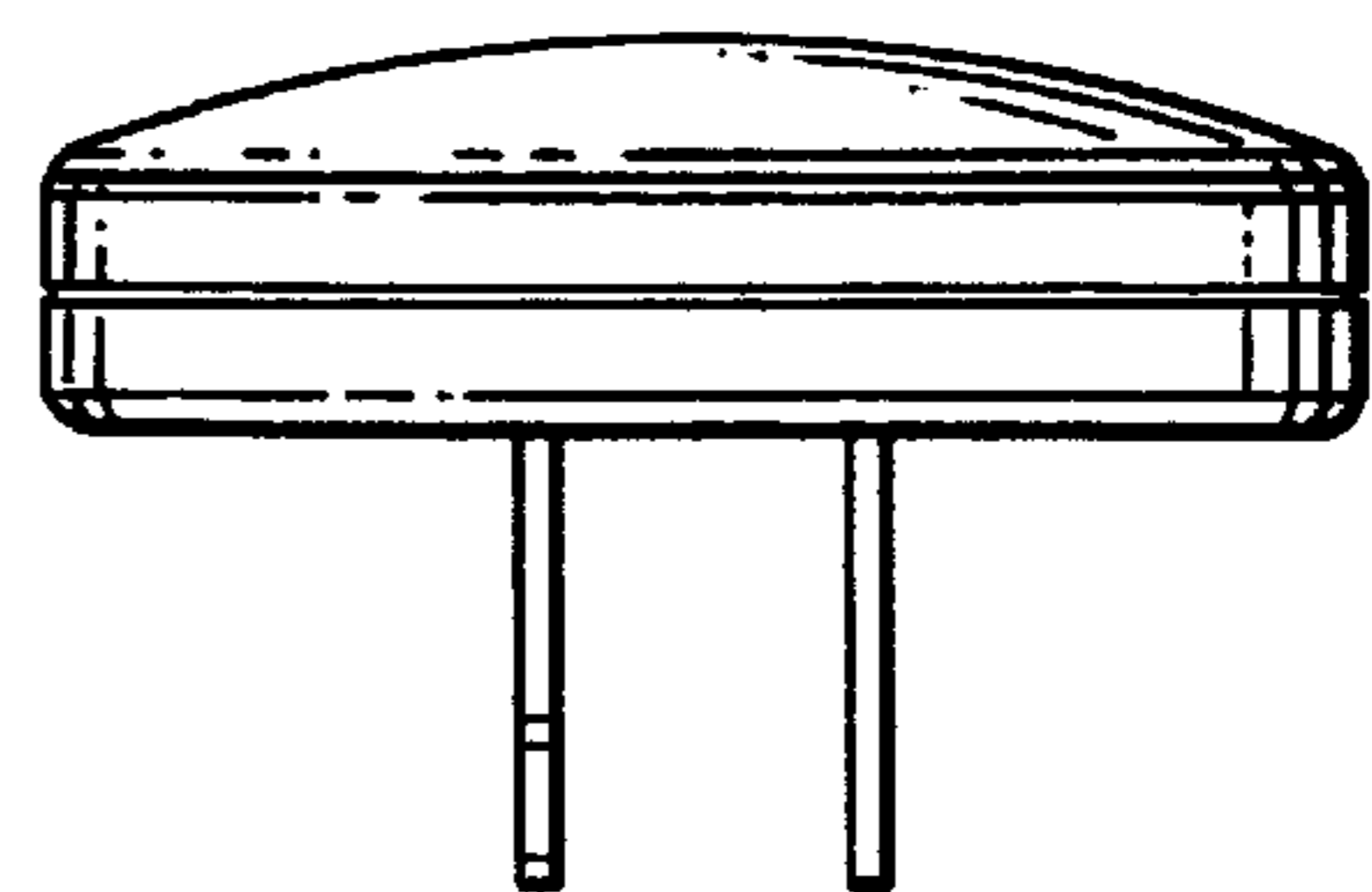


FIG. 6