



US00D435120S

# United States Patent [19]

Bevan et al.

[11] Patent Number: Des. 435,120

[45] Date of Patent: \*\* Dec. 12, 2000

[54] SEAL

[75] Inventors: **Glenn Michael Bevan**, East Brisbane;  
**Ross Doonan**, Wilton; **Dominic Lamanna**, Werribee; **Leonard McKeown**, Edens Langing, all of Australia

[73] Assignee: **James Hardie Research Pty Limited**, Australia

[\*\*] Term: **14 Years**

[21] Appl. No.: **29/114,070**

[22] Filed: **Nov. 17, 1999**

### [30] Foreign Application Priority Data

May 17, 1999 [AU] Australia ..... 1541/99

[51] LOC (7) Cl. .... **25-01**

[52] U.S. Cl. .... **D25/119**

[58] Field of Search ..... D25/119, 164;  
49/498.1, 493.1, 470, 490.1, 309, 306,  
501, 466; 52/204.5, 204.62, 204.67, 455,  
204.68, 204.65, 397, 398, 790, 788, 789,  
730, 731, 399

### [56] References Cited

#### U.S. PATENT DOCUMENTS

5,094,055 3/1992 Berdan ..... 52/397  
5,465,532 11/1995 Varin ..... D25/119  
5,546,714 8/1996 Kenkel ..... 52/204.5

Primary Examiner—Doris Clark

Attorney, Agent, or Firm—Knobbe, Martens, Olson & Bear, LLP

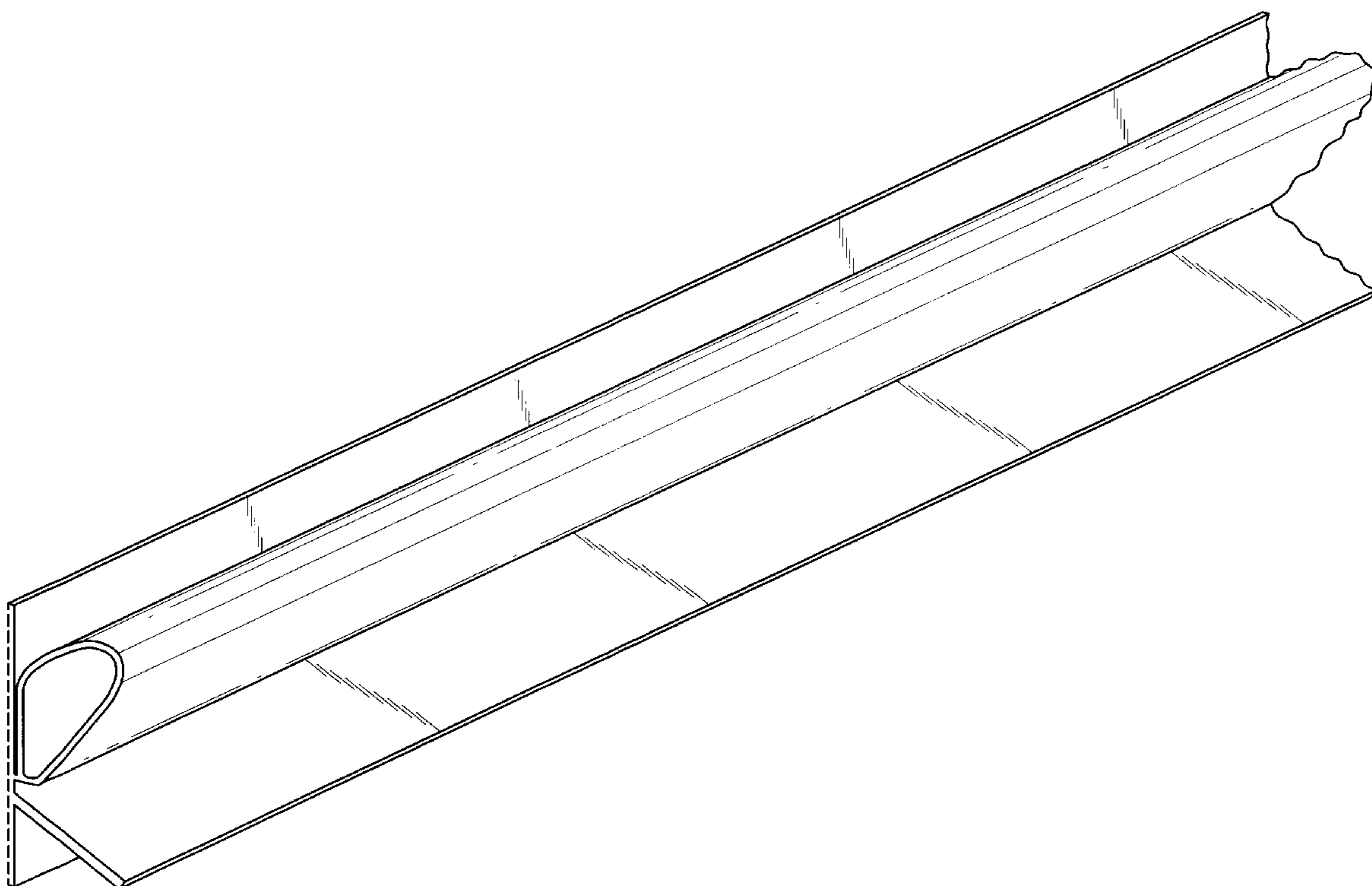
### [57] CLAIM

The ornamental design for a seal, as shown and described.

### DESCRIPTION

FIG. 1 is a perspective view of the present invention; FIG. 2 is a side view thereof; FIG. 3 is a front view thereof; FIG. 4 is a top view thereof; FIG. 5 is a bottom view thereof; FIG. 6 is a back view thereof; FIG. 7 is a second embodiment and a perspective view of the present invention; FIG. 8 is a side end view of the invention shown in FIG. 7; FIG. 9 is a front view of the invention shown in FIG. 7; FIG. 10 is a top view of the invention shown in FIG. 7; FIG. 11 is a bottom view of the invention shown in FIG. 7; FIG. 12 is a back view of the invention shown in FIG. 7; FIG. 13 is a third embodiment and a perspective view of the present invention; FIG. 14 is a side view of the invention shown in FIG. 13; FIG. 15 is a front view of the invention shown in FIG. 13; FIG. 16 is a top view of the invention shown in FIG. 13; FIG. 17 is a bottom view of the invention shown in FIG. 13; and, FIG. 18 is a back view of the invention shown in FIG. 13. The seal is broken on the end to disclose indefinite length, and the broken lines are for illustrative purposes only and form no part of the claimed design.

1 Claim, 18 Drawing Sheets



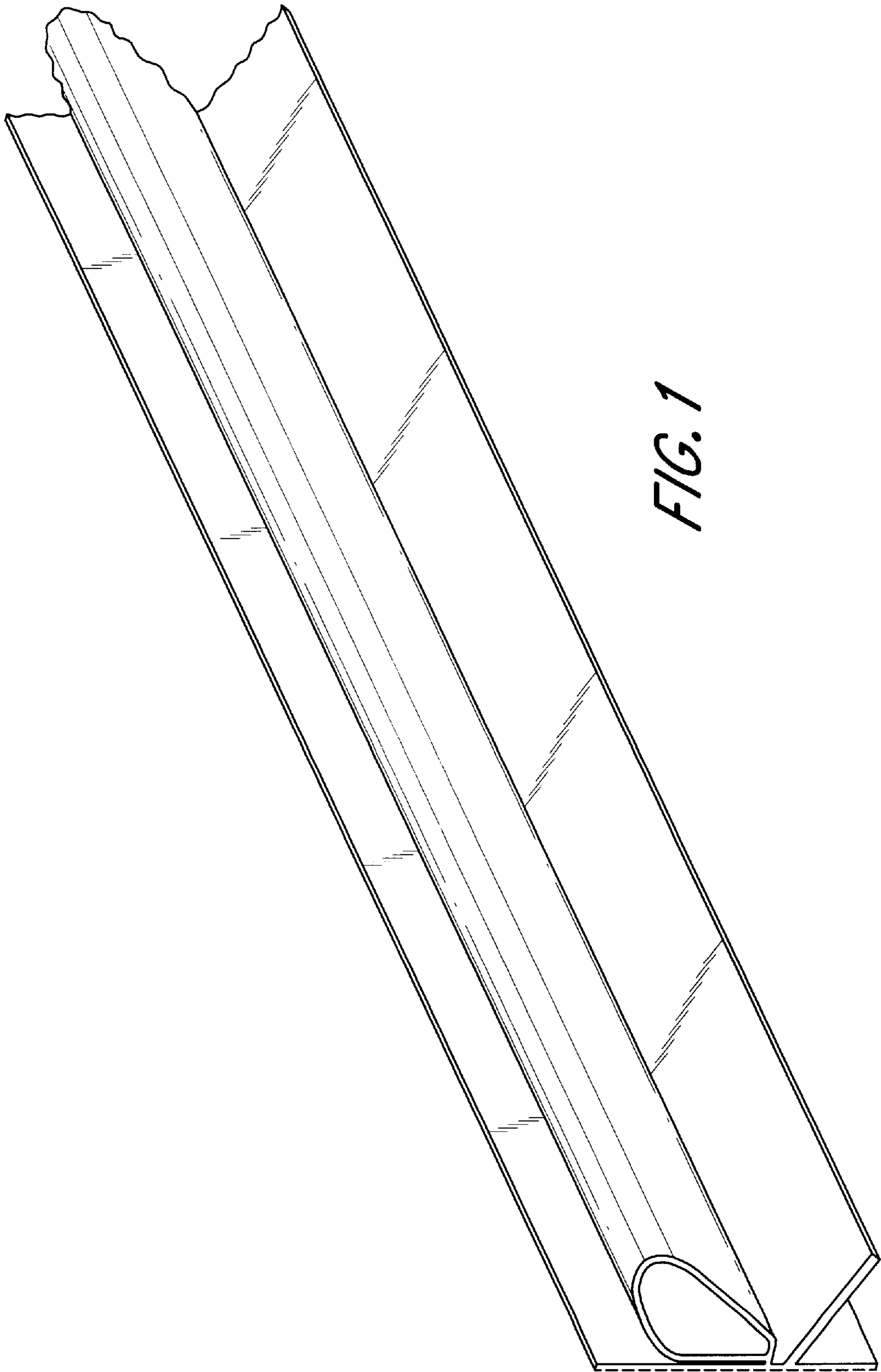
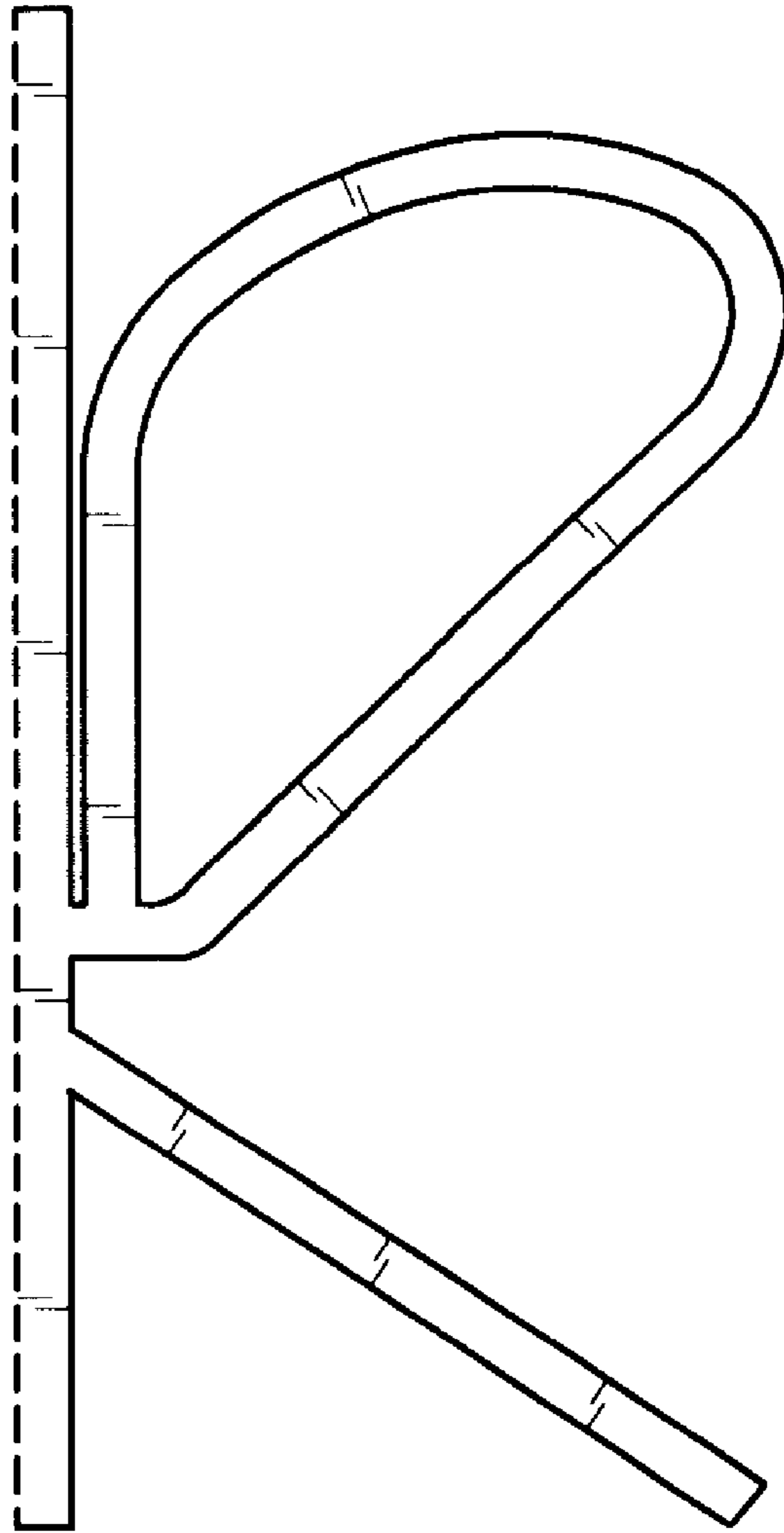
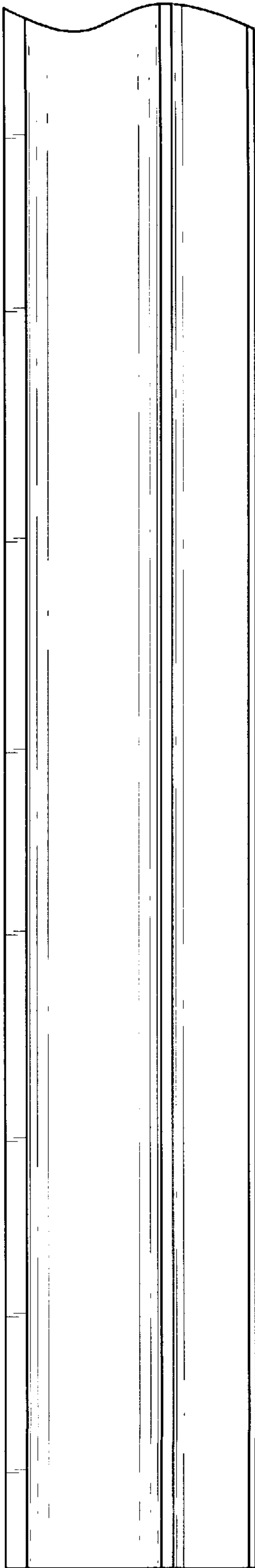


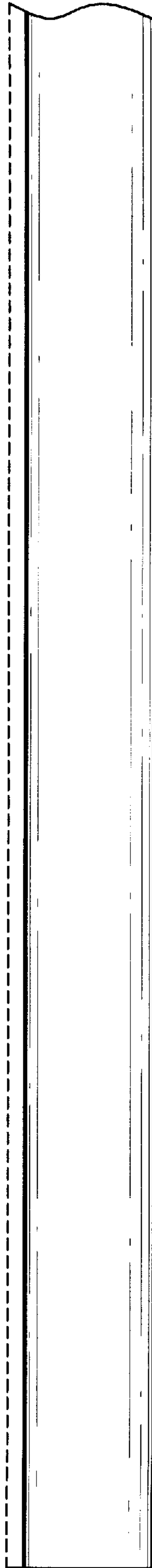
FIG. 1



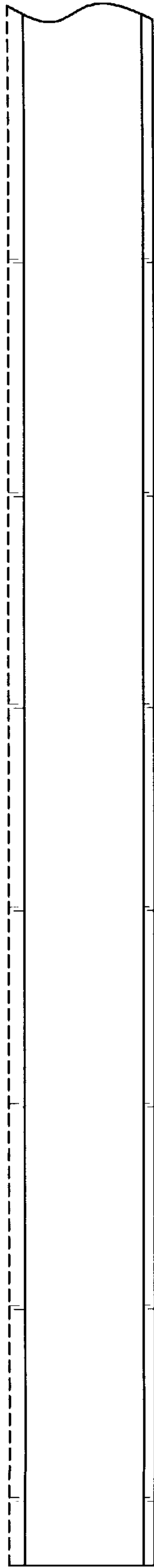
*FIG. 2*



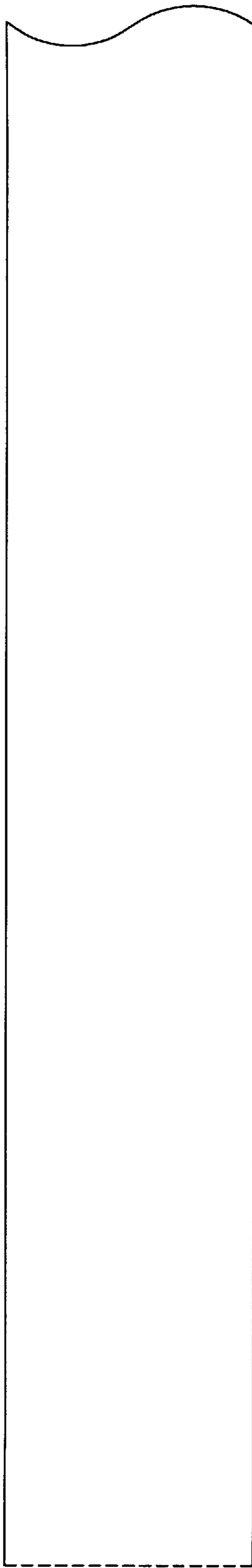
*FIG. 3*



*FIG. 4*

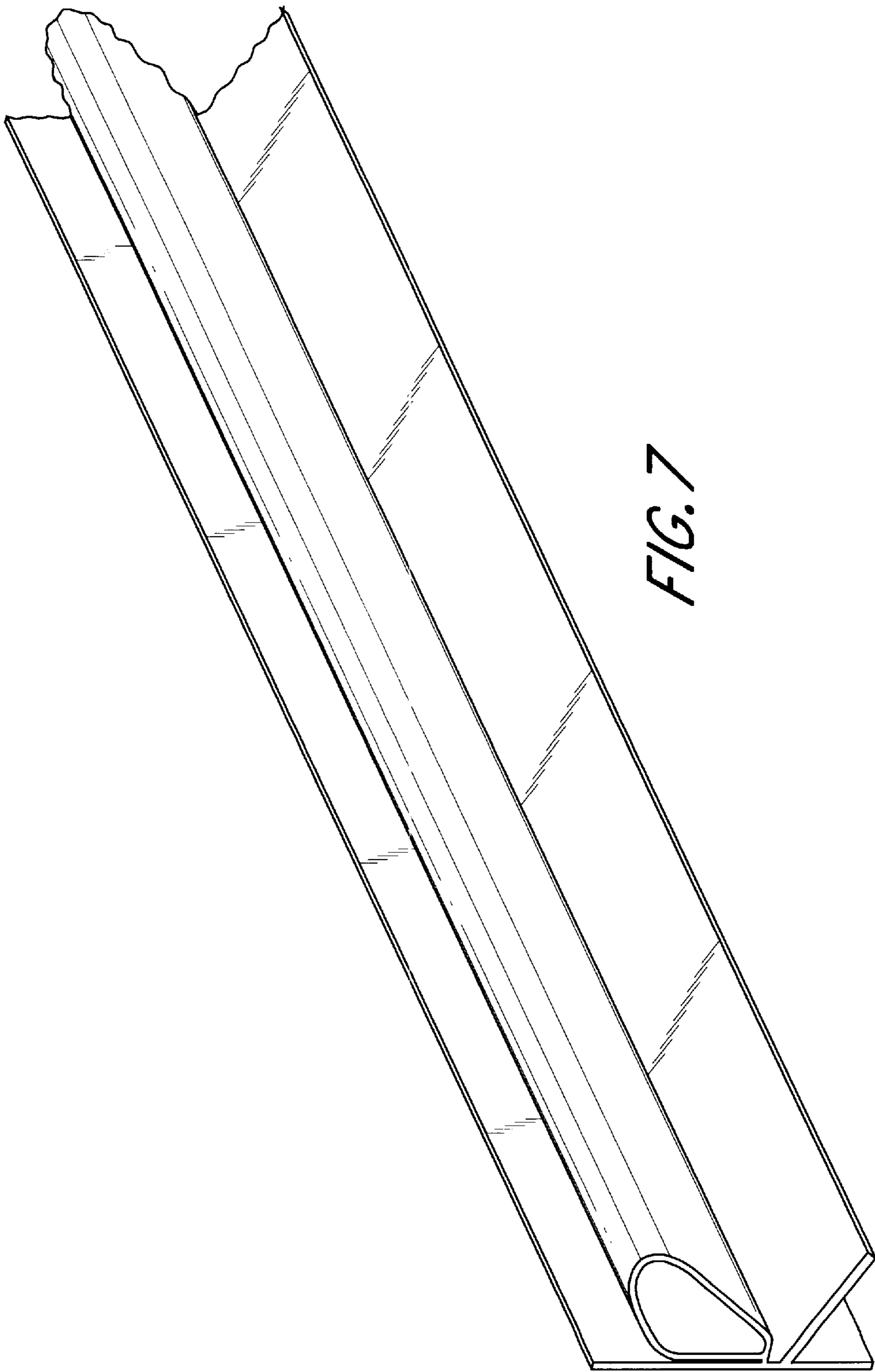


*FIG. 5*

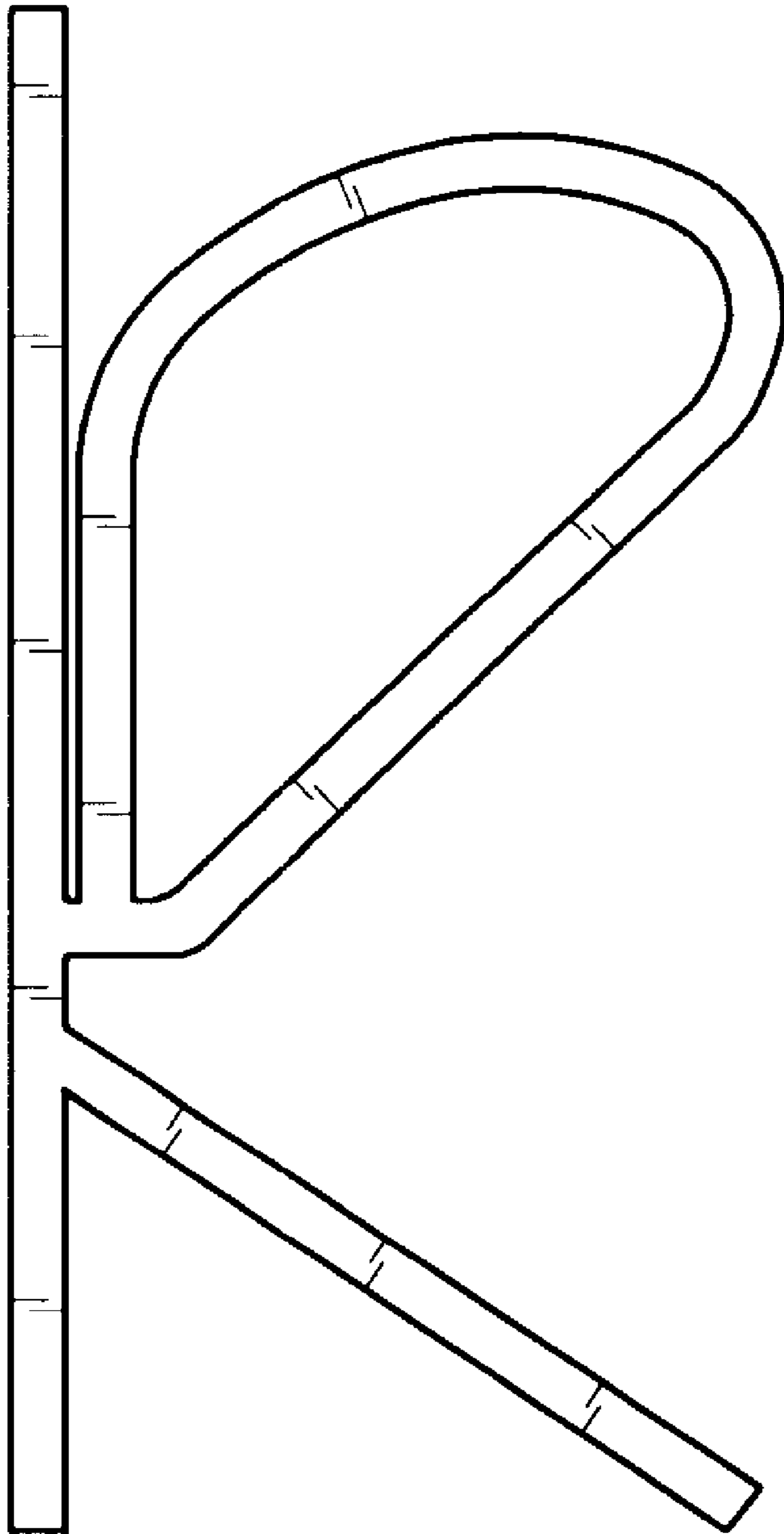


*FIG. 6*

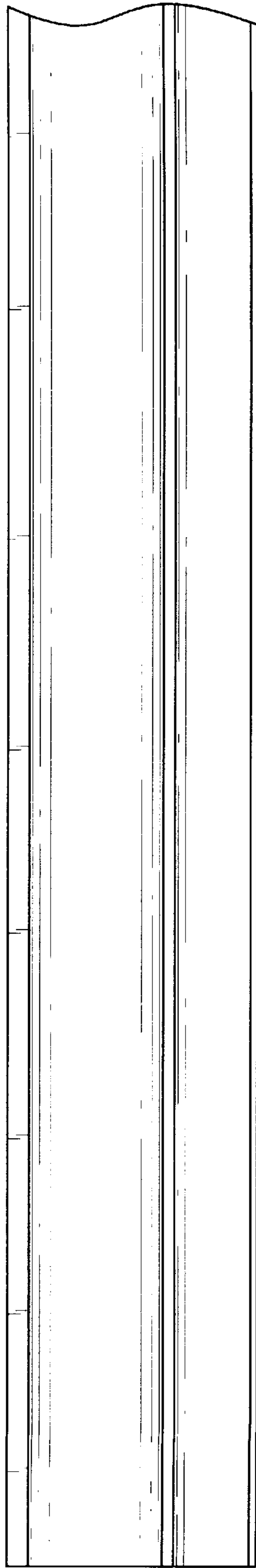




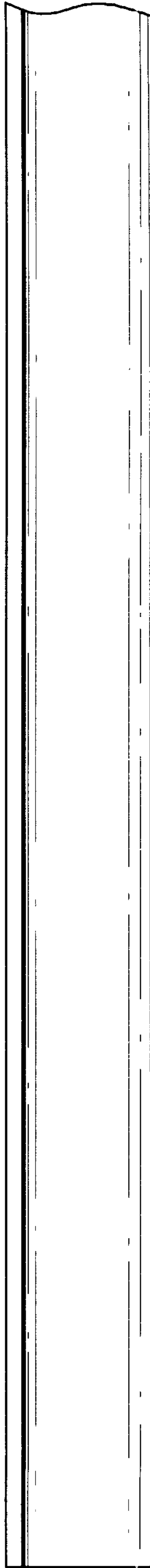




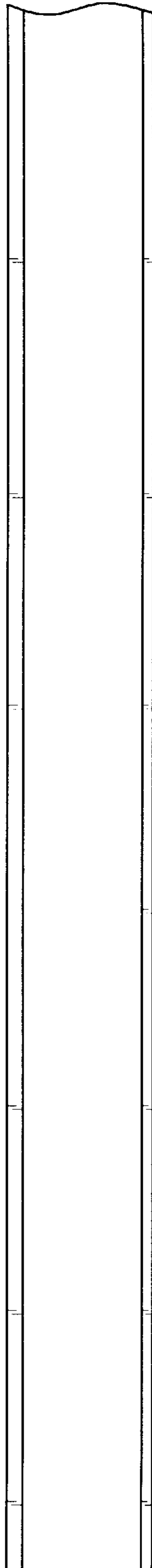
*FIG. 8*



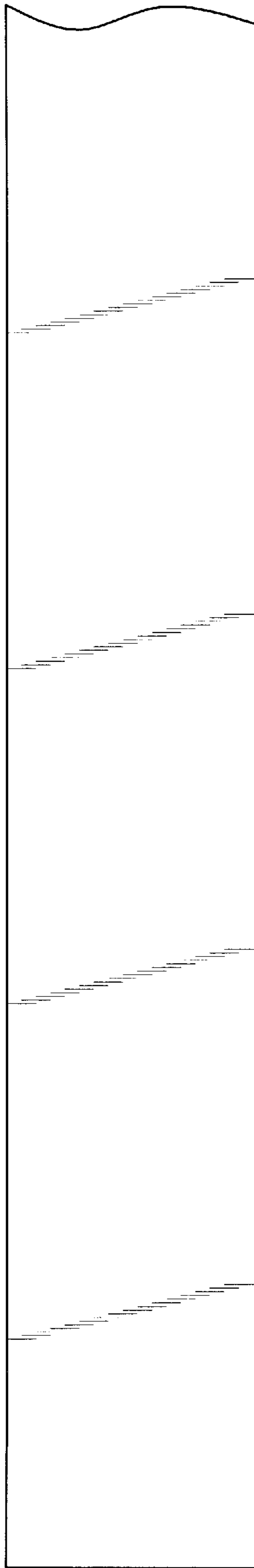
*FIG. 9*



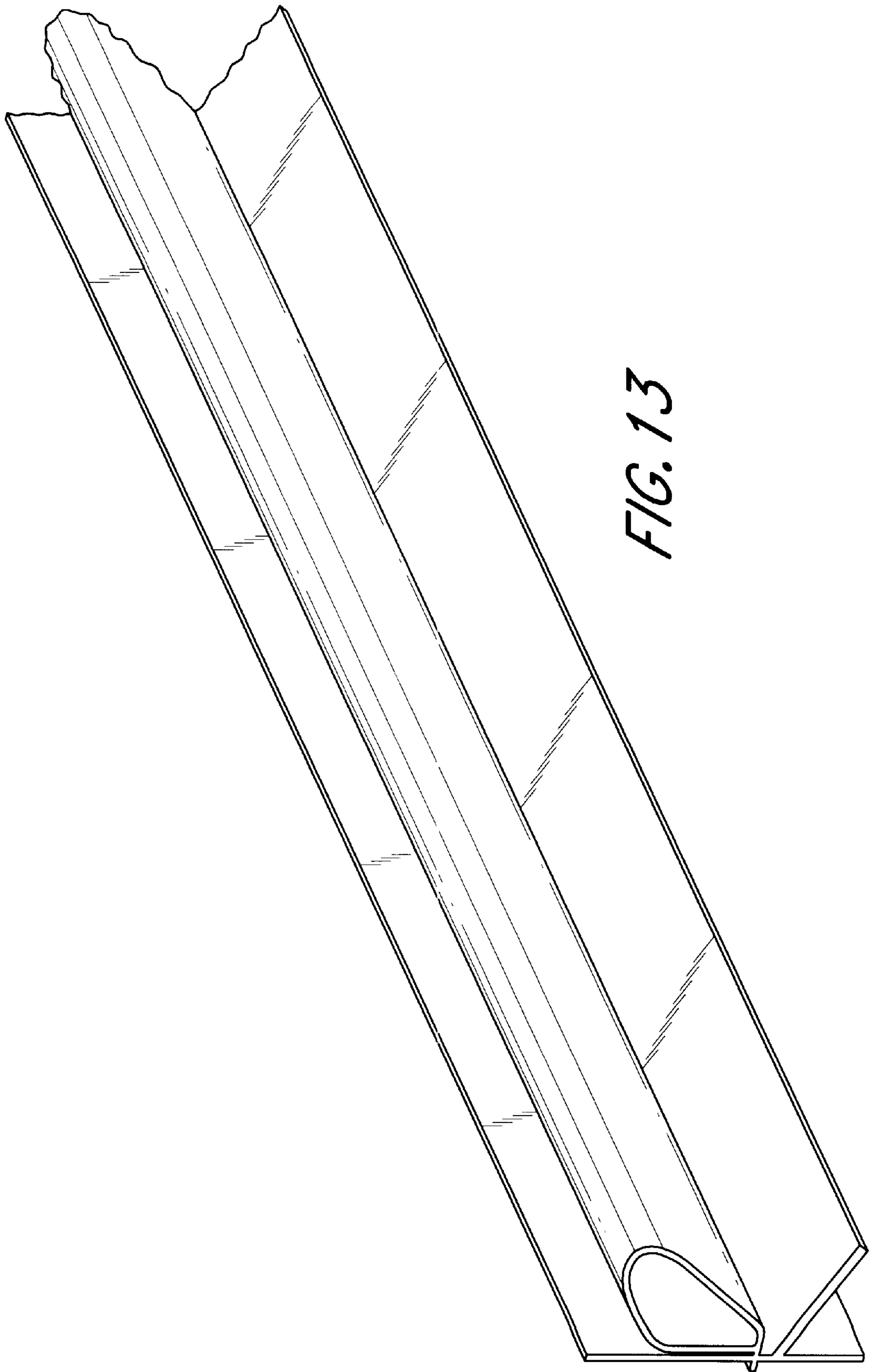
*FIG. 10*

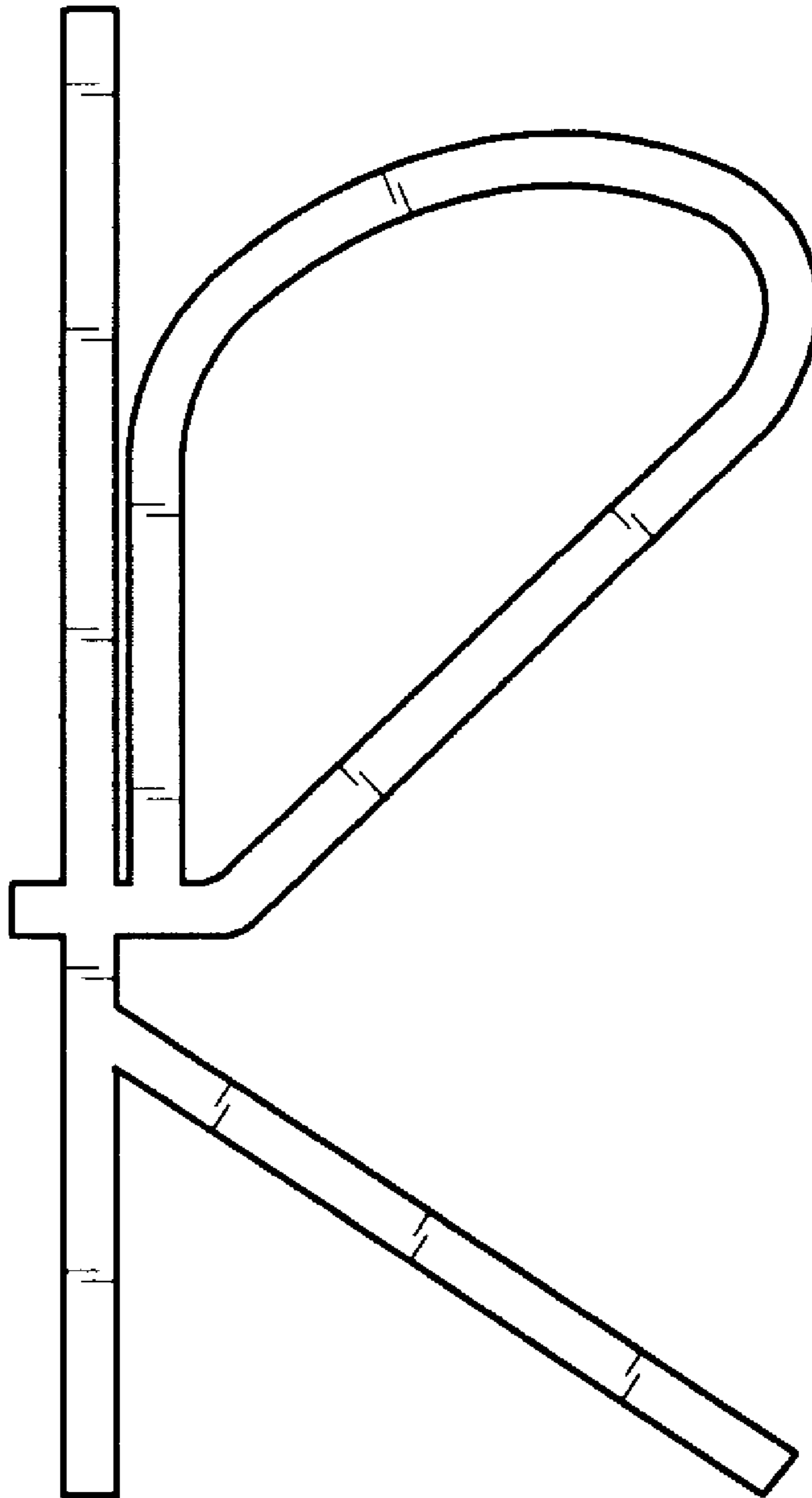


*FIG. 11*



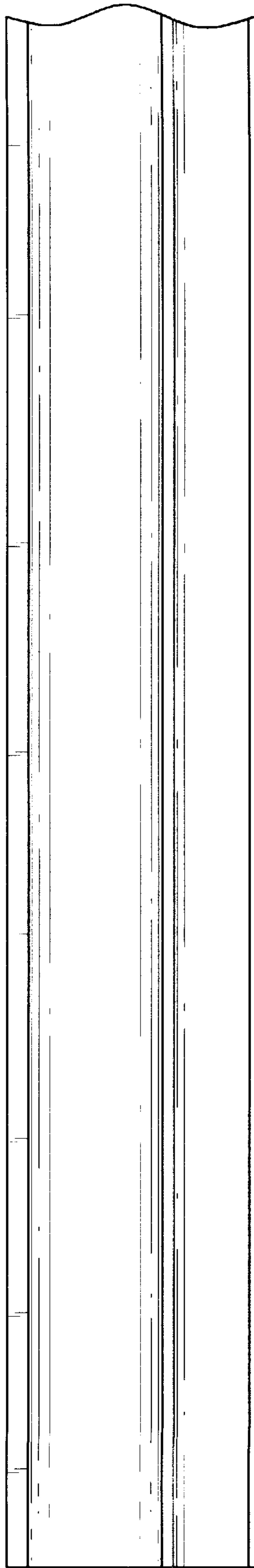
*FIG. 12*



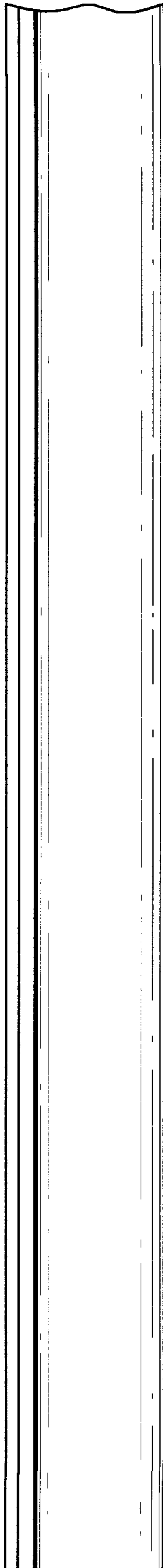


*FIG. 14*

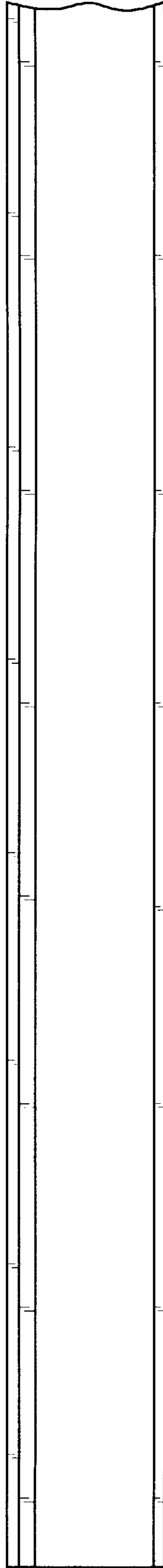




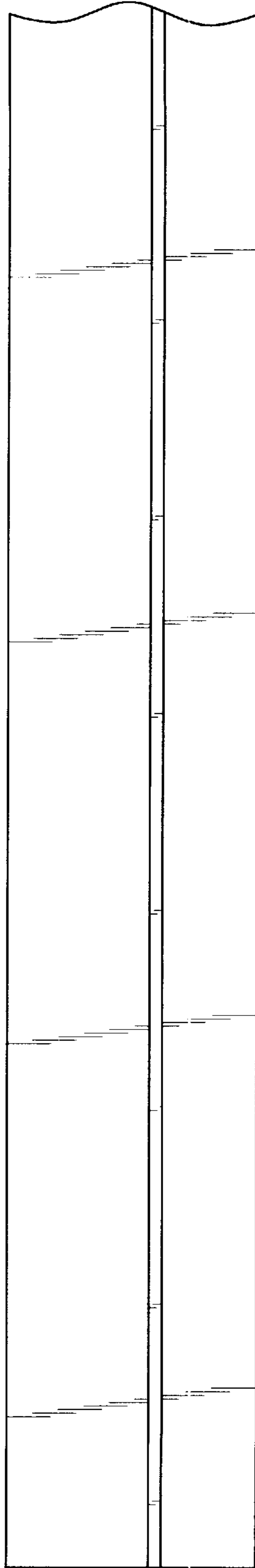
*FIG. 15*



*FIG. 16*



*FIG. 17*



*FIG. 18*