



US00D435119S

United States Patent [19] Whitson

[11] **Patent Number: Des. 435,119**

[45] **Date of Patent: ** Dec. 12, 2000**

[54] **GARDEN AREA EDGING UNIT**

[75] Inventor: **Robert L. Whitson**, West Bend, Wis.

[73] Assignee: **Bend Industries**, Milwaukee, Wis.

[**] Term: **14 Years**

[21] Appl. No.: **29/052,870**

[22] Filed: **Apr. 10, 1996**

[51] **LOC (7) Cl.** **25-01**

[52] **U.S. Cl.** **D25/113**

[58] **Field of Search** D25/113; D8/1;
D21/108; 404/41; 47/33; 52/102, 596, 604,
608, 311.2; 405/286

[56] **References Cited**

U.S. PATENT DOCUMENTS

1,796,973	3/1931	Wright	52/596
3,073,061	1/1963	Pearson	.
4,884,920	12/1989	Perazzi	.
5,051,023	9/1991	Yoshida et al.	.
5,119,587	6/1992	Waltz	.
5,159,801	11/1992	Schmidt	.
5,186,574	2/1993	Tavares	404/41
5,236,179	8/1993	Schropp	47/33
5,564,240	10/1996	Dean, Jr.	47/33

FOREIGN PATENT DOCUMENTS

60490	9/1982	European Pat. Off.	.
2428786	2/1980	France	.
2415782	10/1975	Germany	52/608
3807678	9/1989	Germany	.
667834	3/1952	United Kingdom	405/286

Primary Examiner—B. J. Bullock
Attorney, Agent, or Firm—Frost & Jacobs LLP

[57] **CLAIM**

The ornamental design for an garden area edging unit, as shown and described.

DESCRIPTION

FIG. 1 is a top, front and left side perspective view of the edging unit of the present invention, showing my new design.

FIG. 2 is a front elevational view thereof.

FIG. 3 is a rear elevational view thereof.

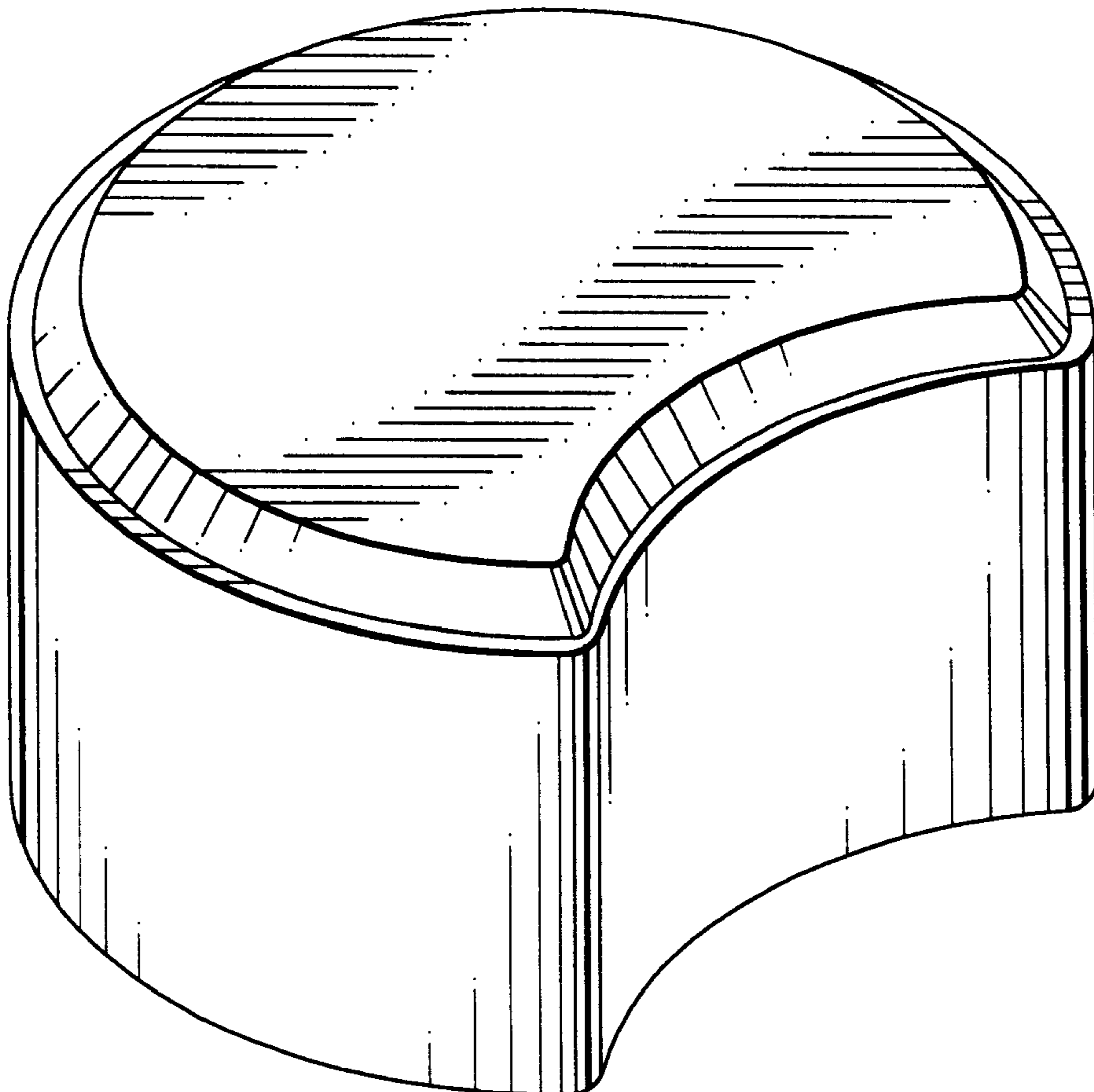
FIG. 4 is a rightside elevational view thereof.

FIG. 5 is a top plan view thereof; and,

FIG. 6 is a bottom plan view thereof.

A left side elevational view of the edging unit is a mirror image of the right side elevational view of FIG. 4.

1 Claim, 2 Drawing Sheets



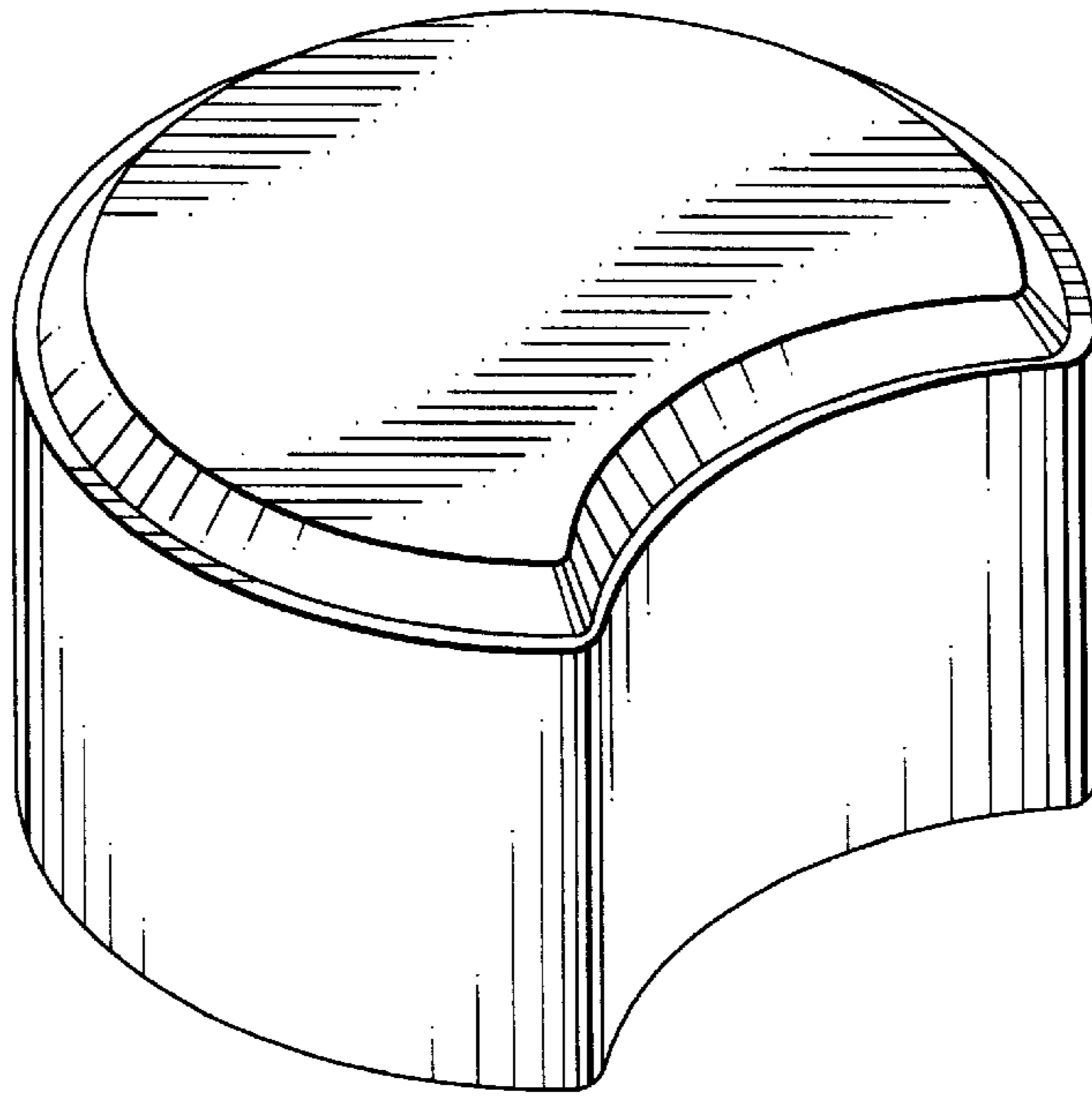


FIG. 1

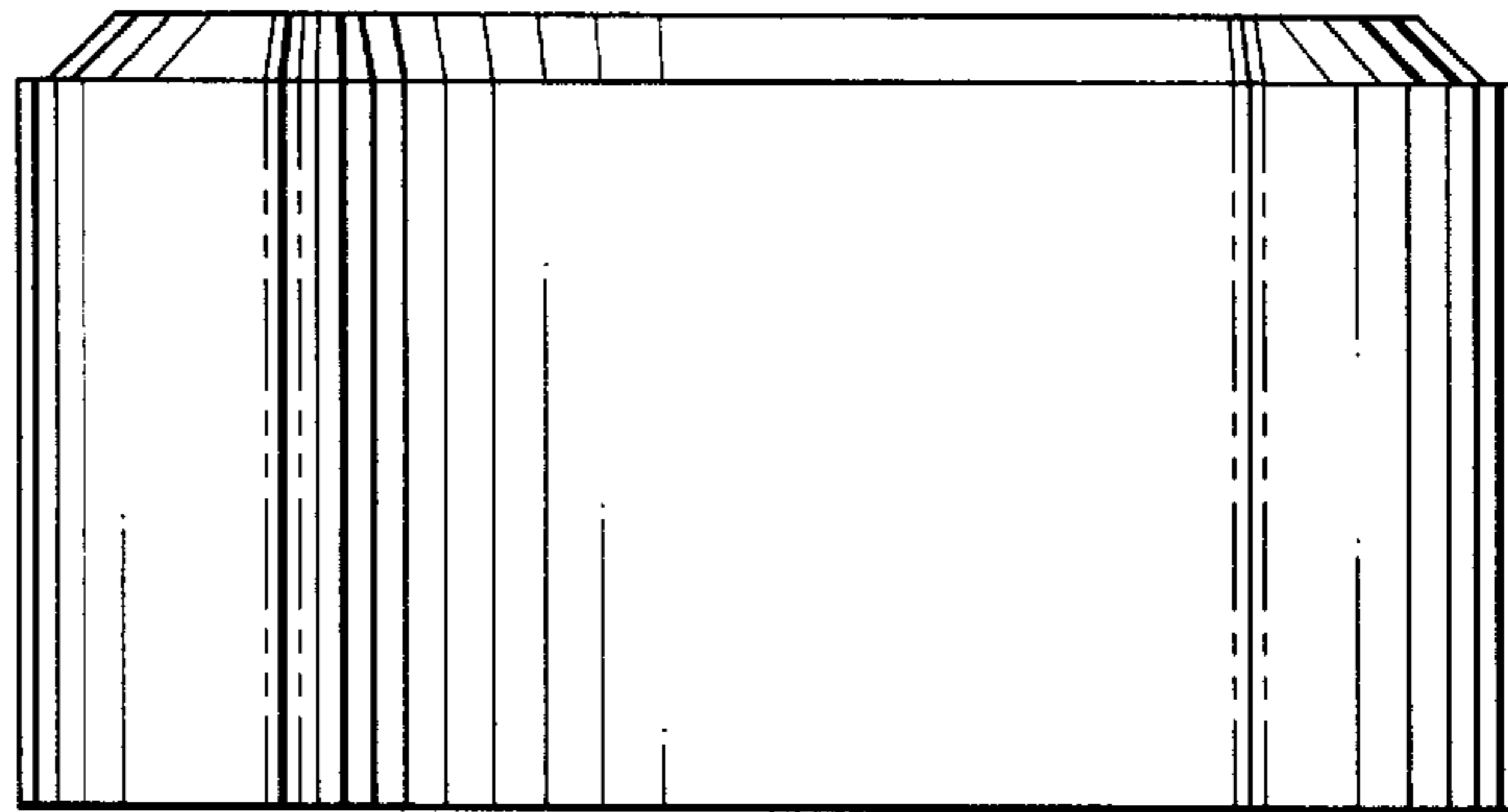


FIG. 2

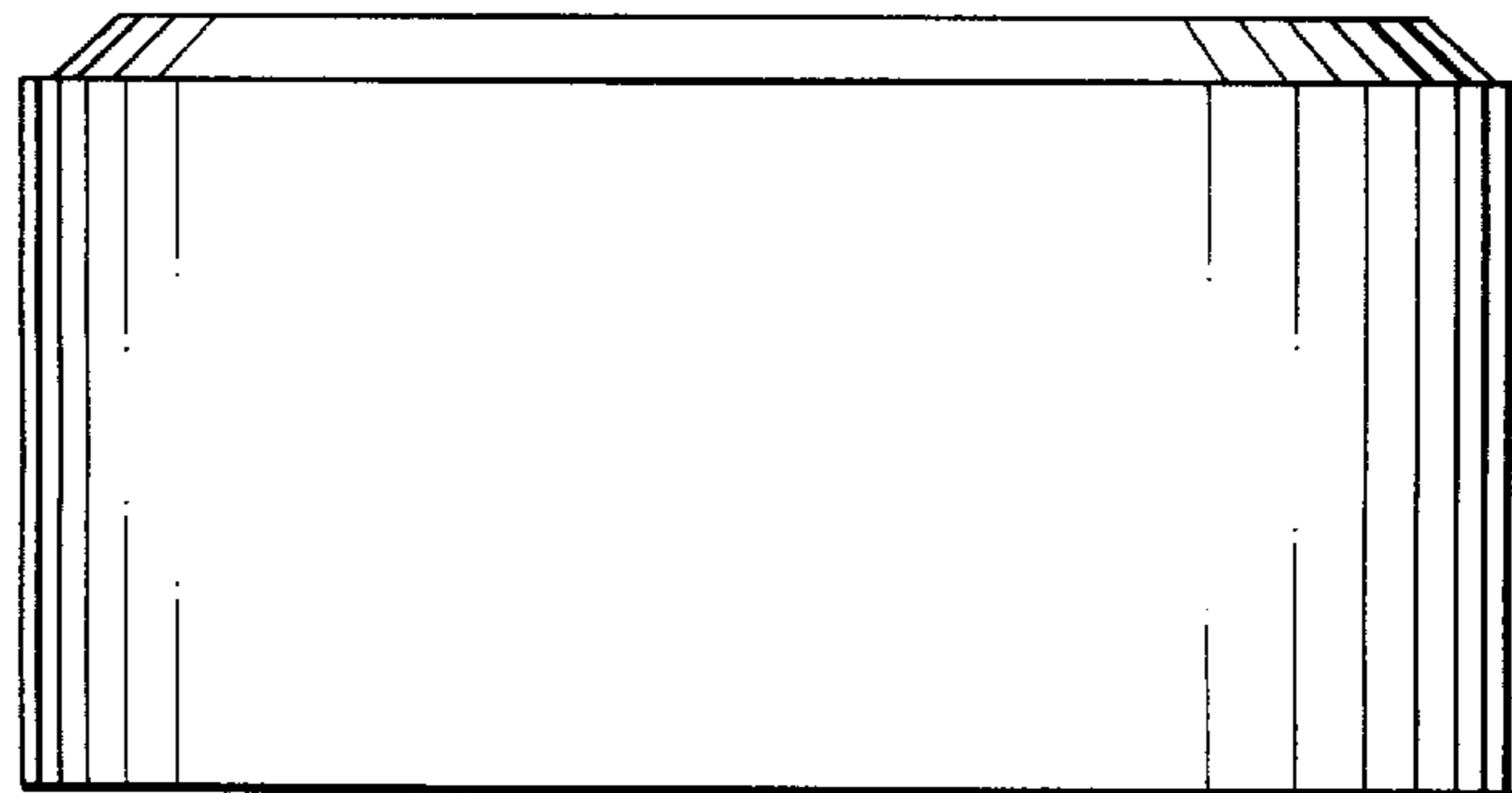


FIG. 3

FIG. 4

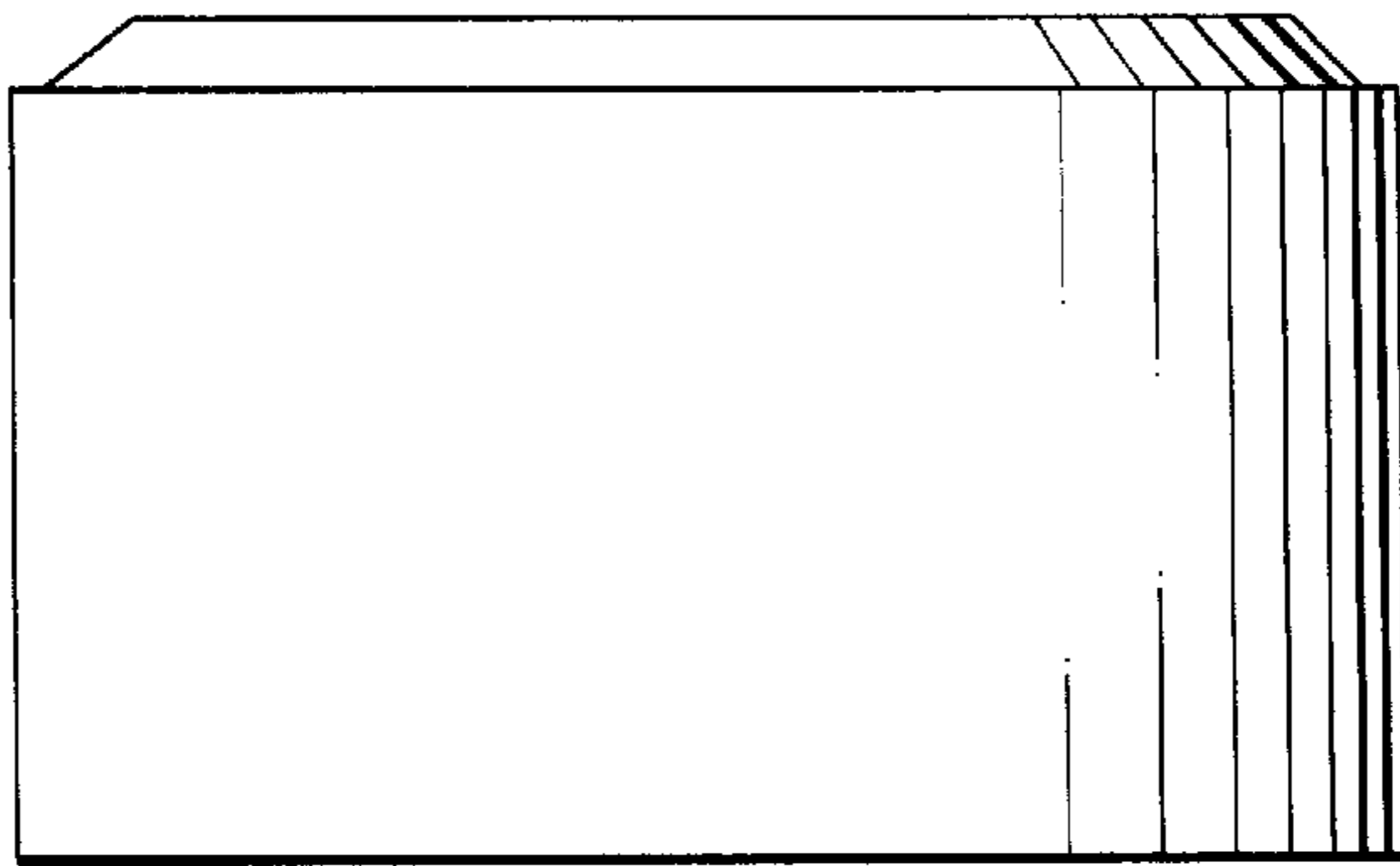


FIG. 5

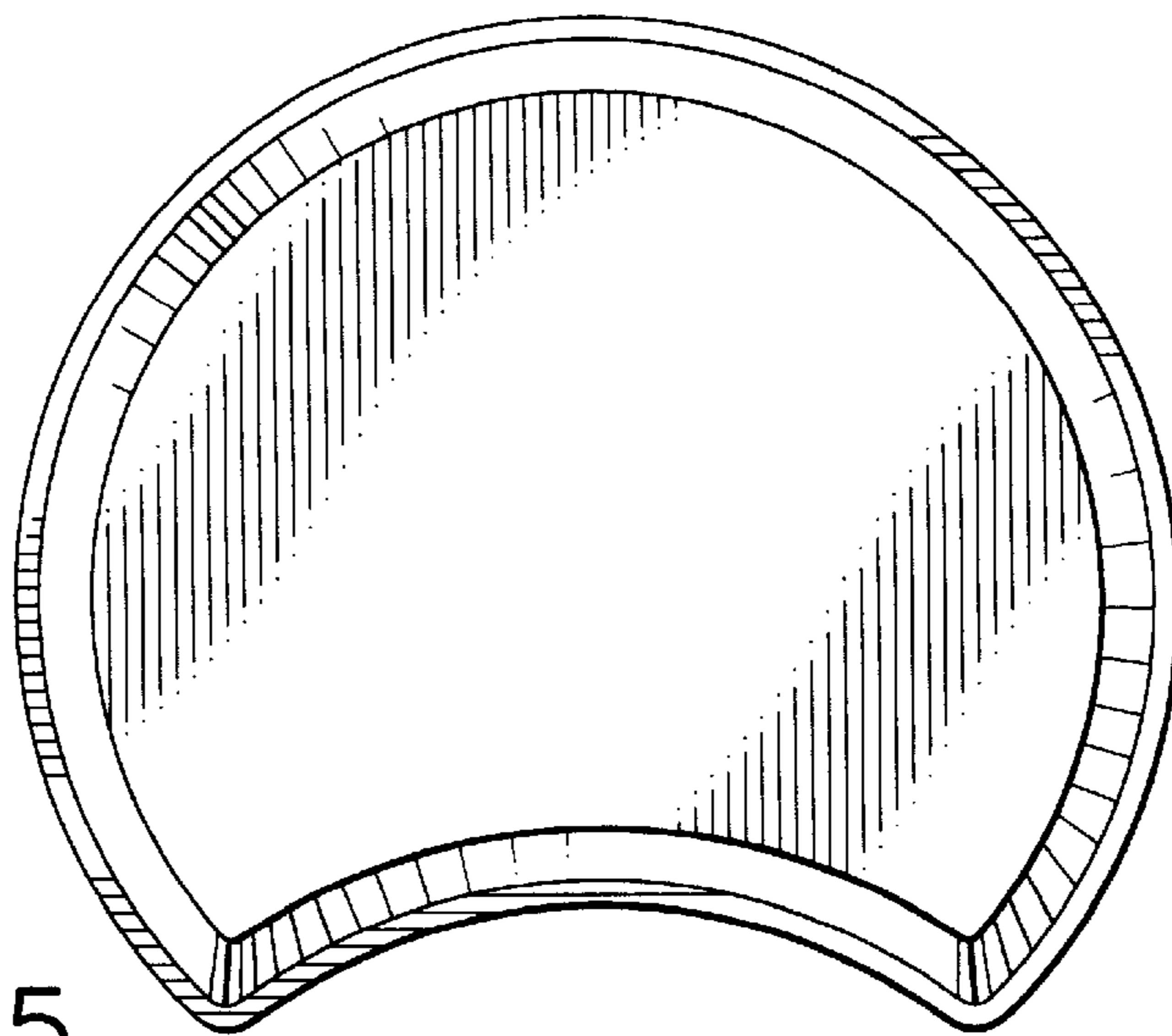


FIG. 6

