



US00D435114S

United States Patent [19]

Kimura et al.

[11] Patent Number: Des. 435,114

[45] Date of Patent: ** Dec. 12, 2000

[54] SELF-SERVICE FACILITY

[75] Inventors: **Motoyasu Kimura; Masakazu Okuda; Tomoei Kimura**, all of Tokyo, Japan

[73] Assignee: **Kimura Corporation**, Tokyo, Japan

[**] Term: **14 Years**

[21] Appl. No.: **29/106,956**

[22] Filed: **Jun. 24, 1999**

[30] Foreign Application Priority Data

Dec. 24, 1998 [JP] Japan 10-37445

[51] LOC (7) Cl. **25-03**

[52] U.S. Cl. **D25/31**

[58] Field of Search D25/1, 16, 31, D25/33; 52/32, 36.1, 36.2, 79.1, 79.4

[56] References Cited

U.S. PATENT DOCUMENTS

- D. 399,574 10/1998 Monaco D25/31
- 4,571,898 2/1986 Le Cacheux et al. 52/36.2
- 5,653,063 8/1997 Bennett et al. D25/31

Primary Examiner—Doris Clark
Attorney, Agent, or Firm—Knobbe, Martens, Olson & Bear, LLP

[57] CLAIM

The ornamental design for a self-service facility, as shown and described.

DESCRIPTION

The inventor's design is directed toward a self-service facility with a revolving semicircular door. The self-service facility may be free-standing, or it may be attached to a wall of a structure.

FIG. 1 is a front view of a self-service facility with the revolving door open, showing our new design;

FIG. 2 is a front view of the self-service facility with the revolving door closed;

FIG. 3 is a back view of the self-service facility;

FIG. 4 is a top view of the self-service facility;

FIG. 5 is a bottom view of the self-service facility;

FIG. 6 is a side view of the self-service facility;

FIG. 7 is a cross-sectional view of the self-service facility along the axis shown in 7—7 in FIG. 1;

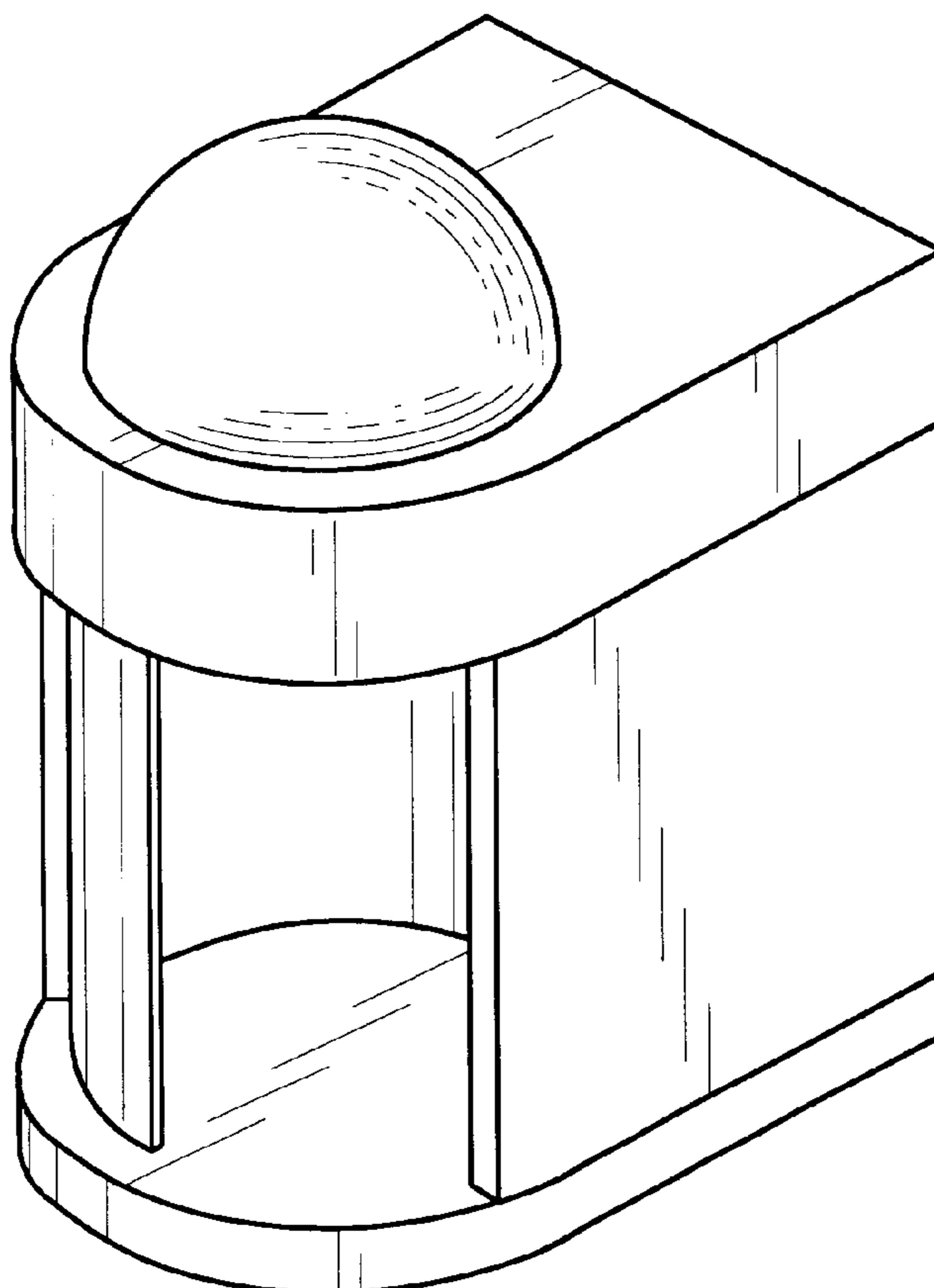
FIG. 8 is a perspective view of the self-service facility with the revolving door closed;

FIG. 9 is a perspective view of the self-service facility with the revolving door partially open; and,

FIG. 10 is a perspective view of the self-service facility with the revolving door open.

The broken lines are for illustrative purposes only and form no part of the claimed design.

1 Claim, 4 Drawing Sheets



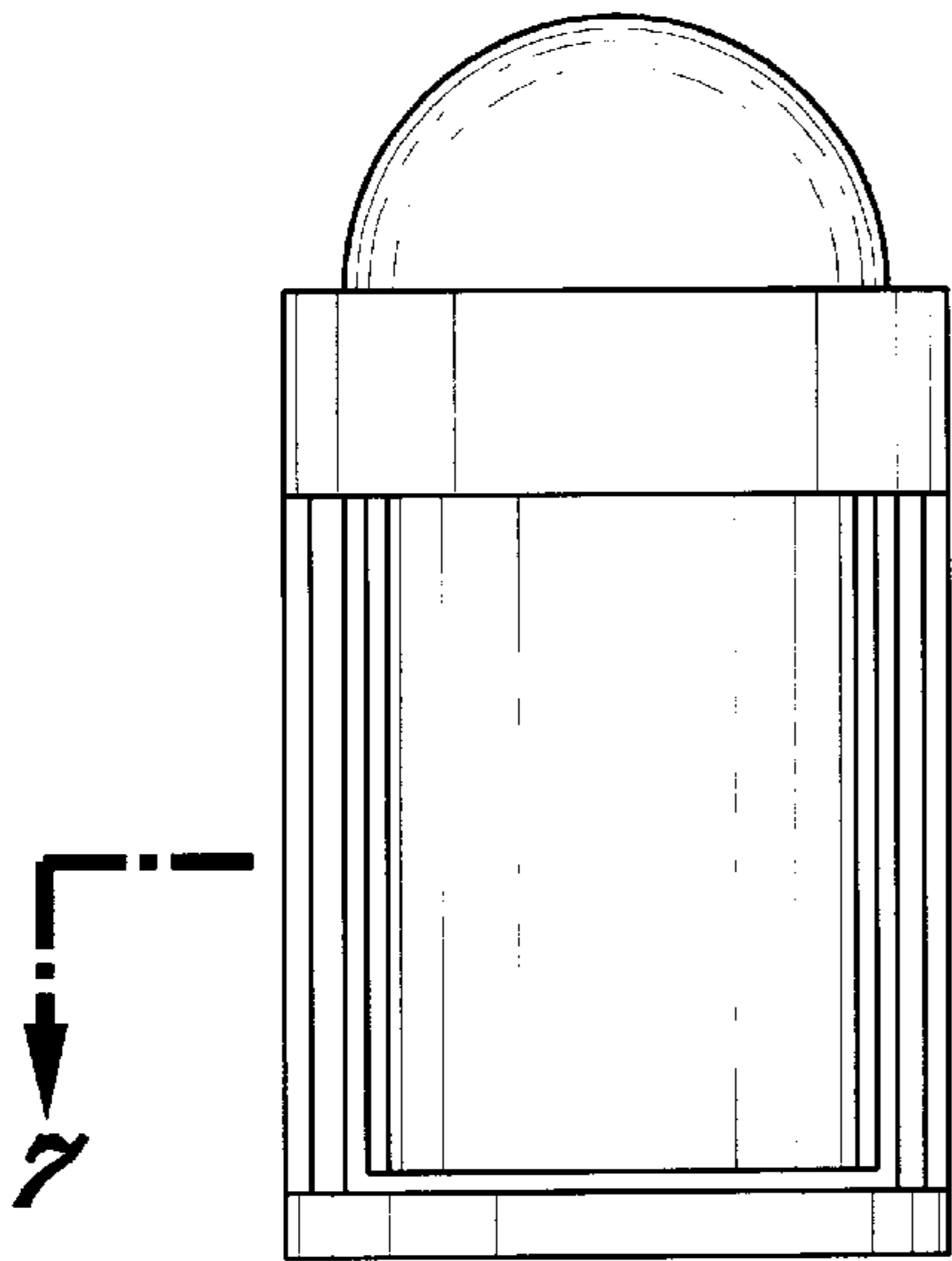


FIG. 1

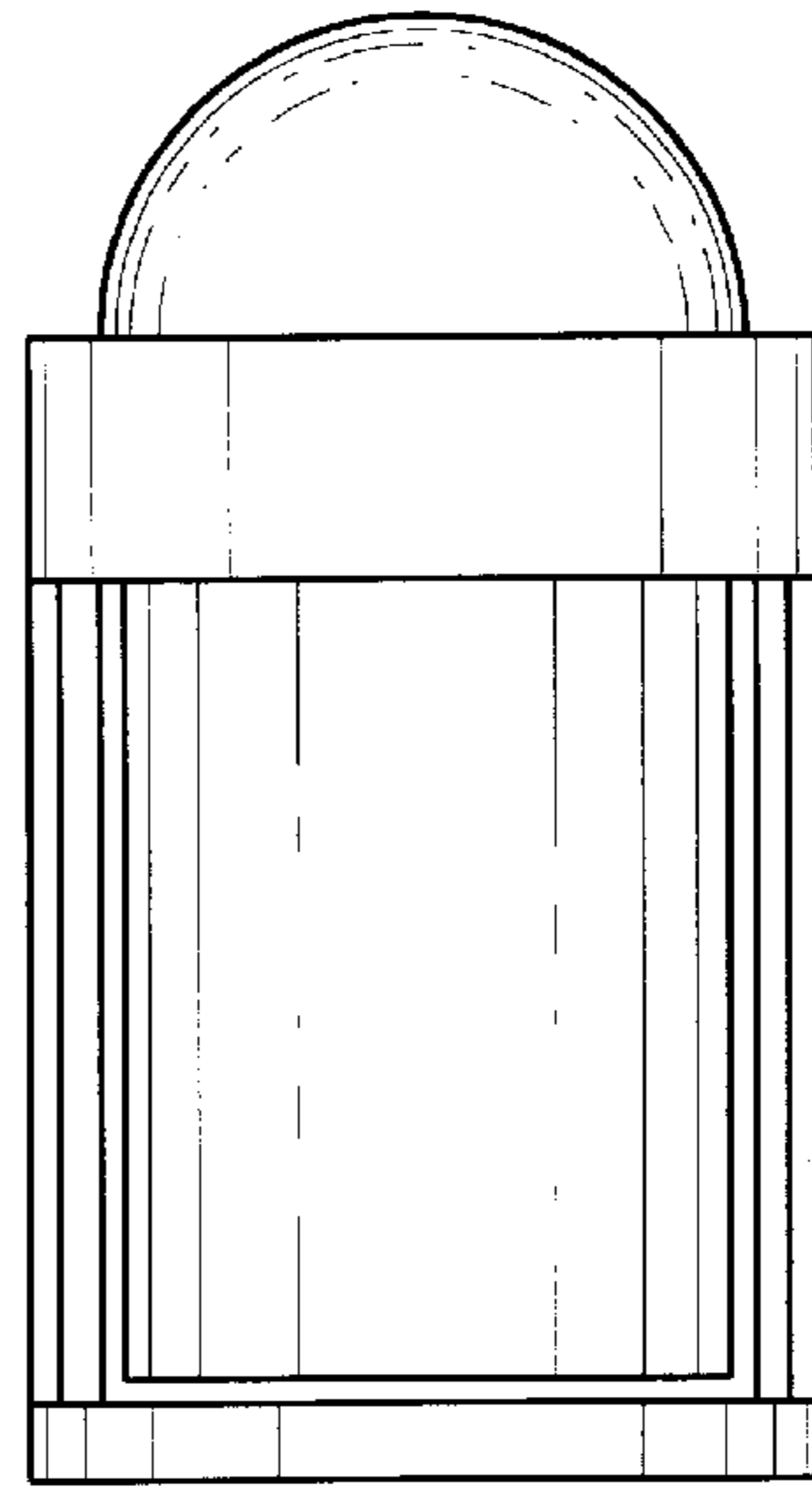


FIG. 2

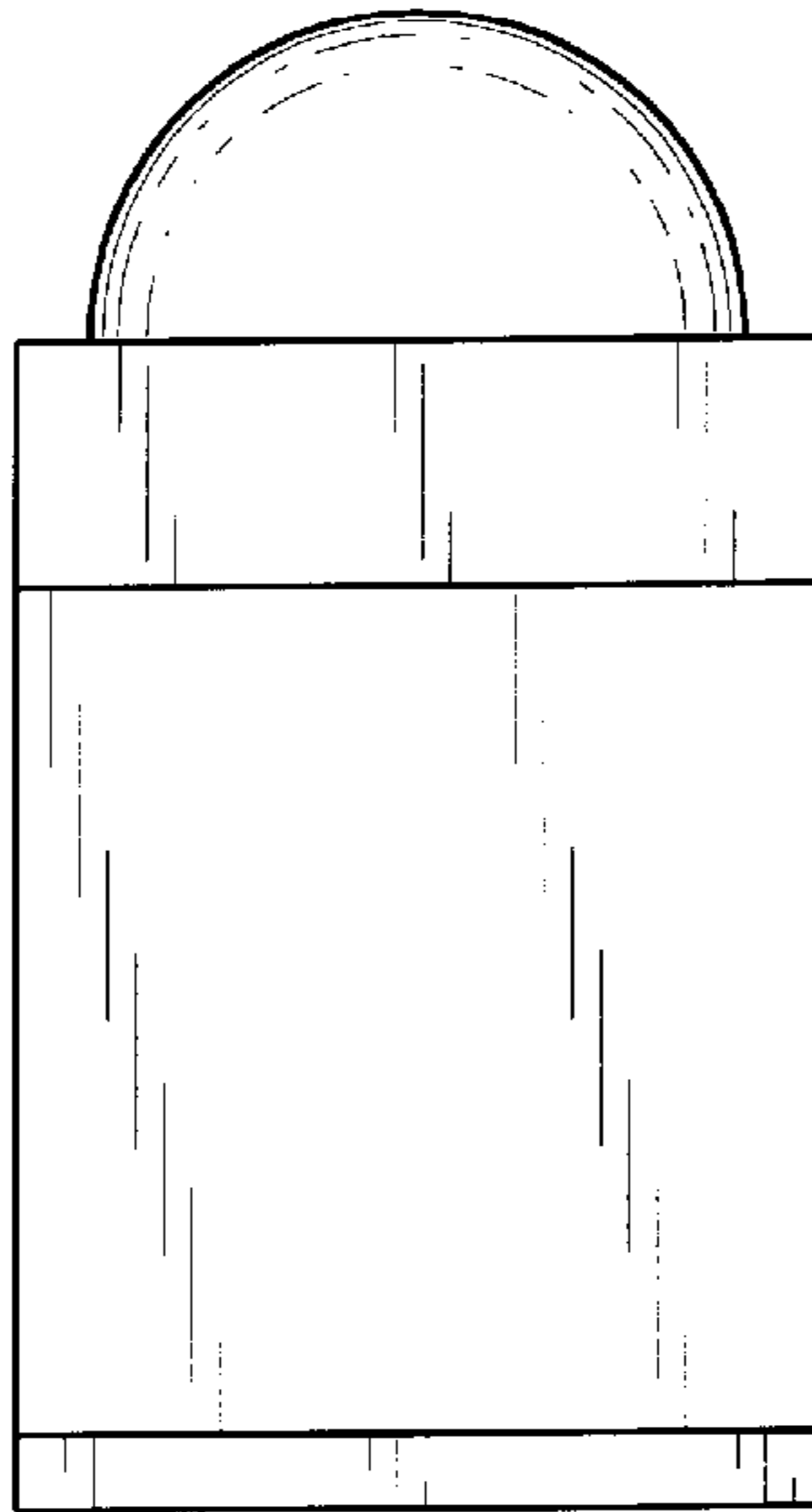


FIG. 3

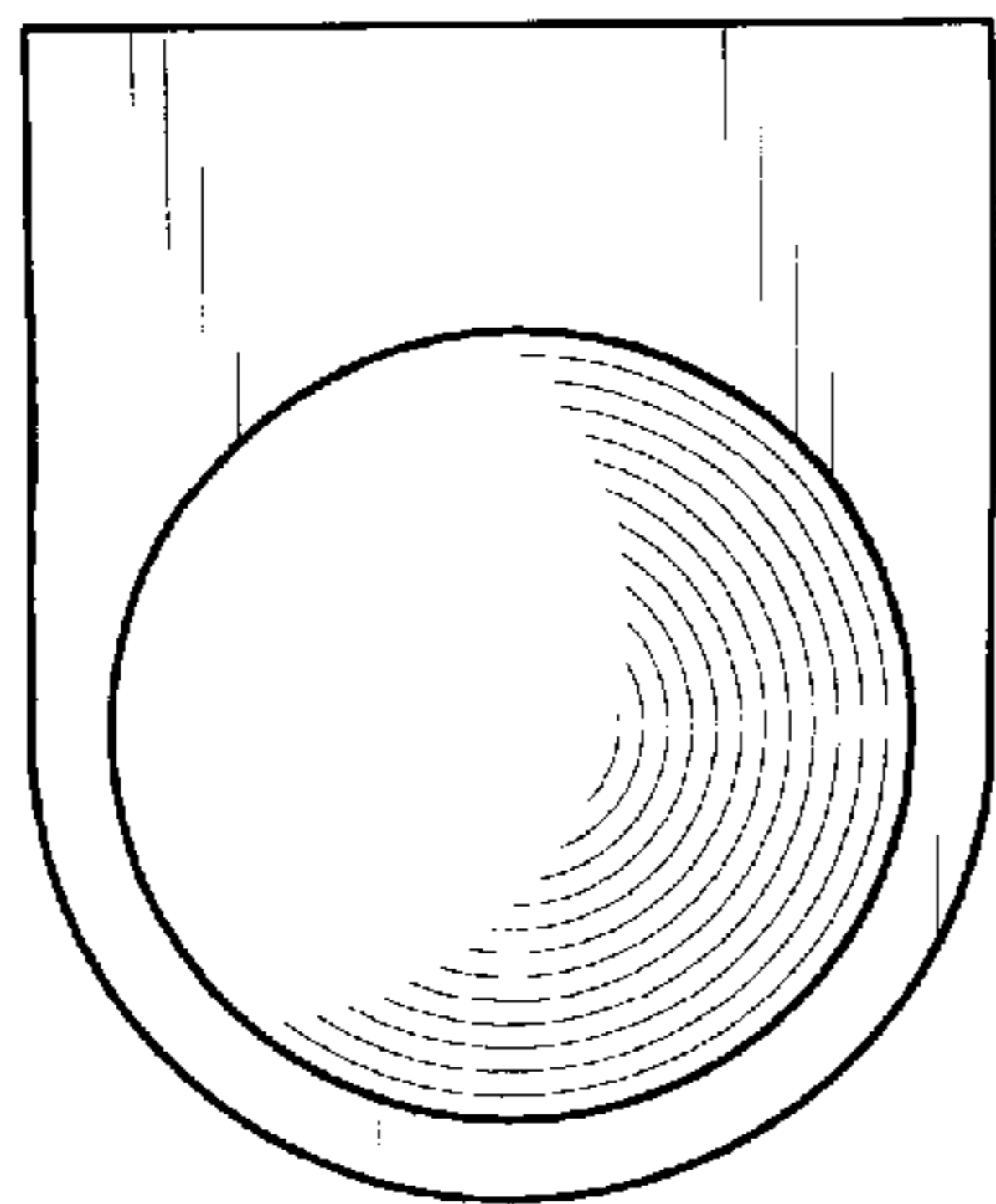


FIG. 4

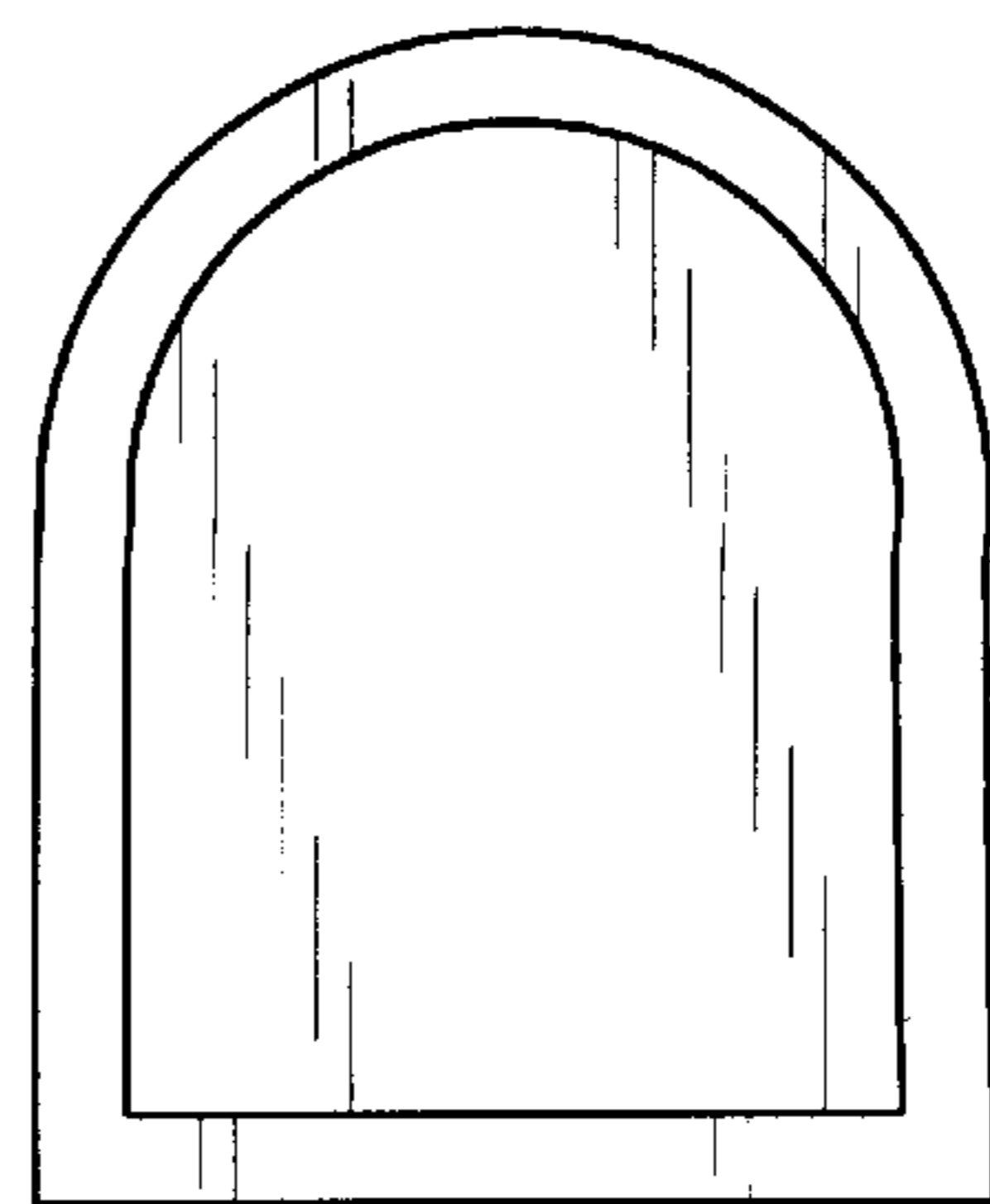


FIG. 5

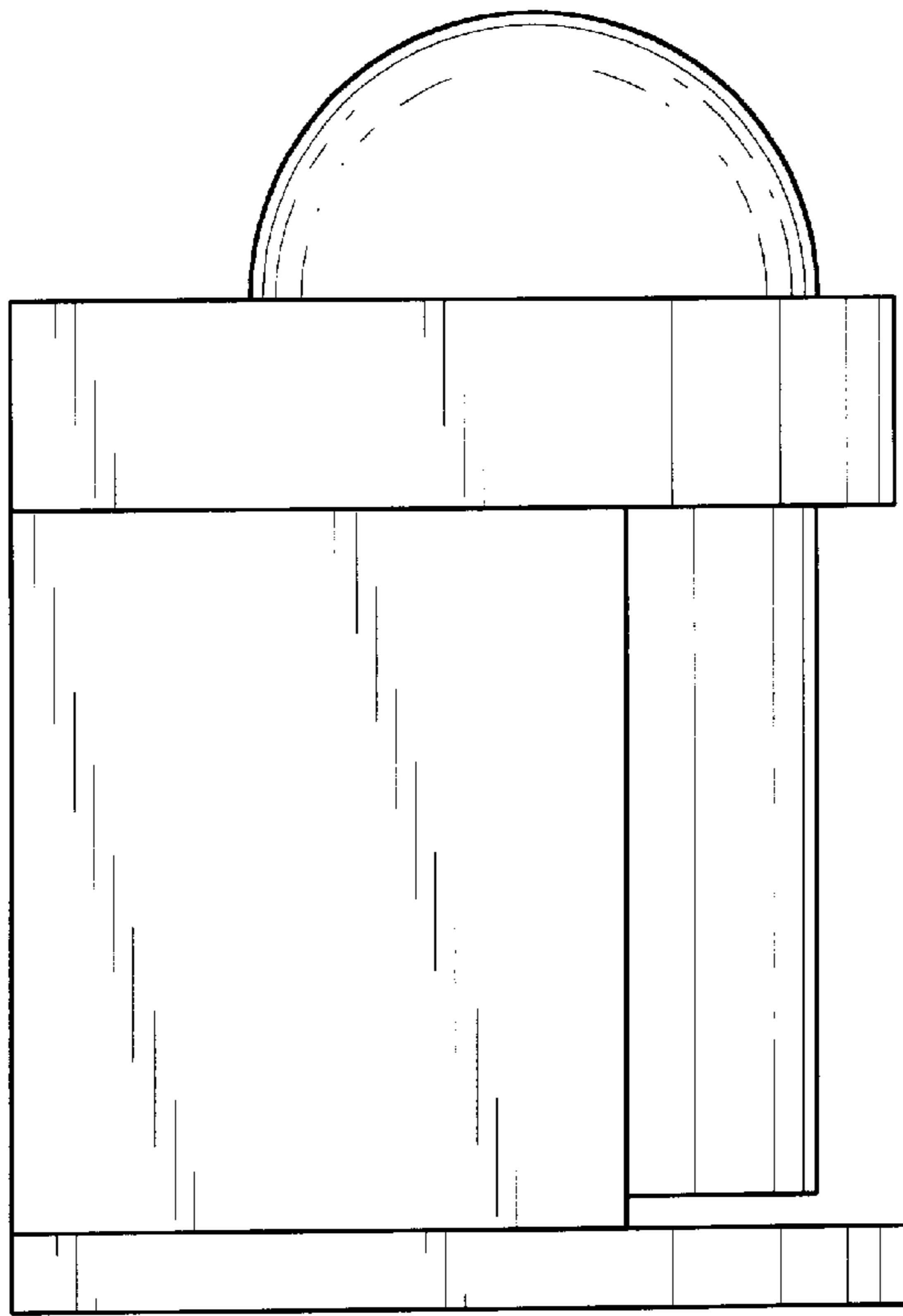


FIG. 6

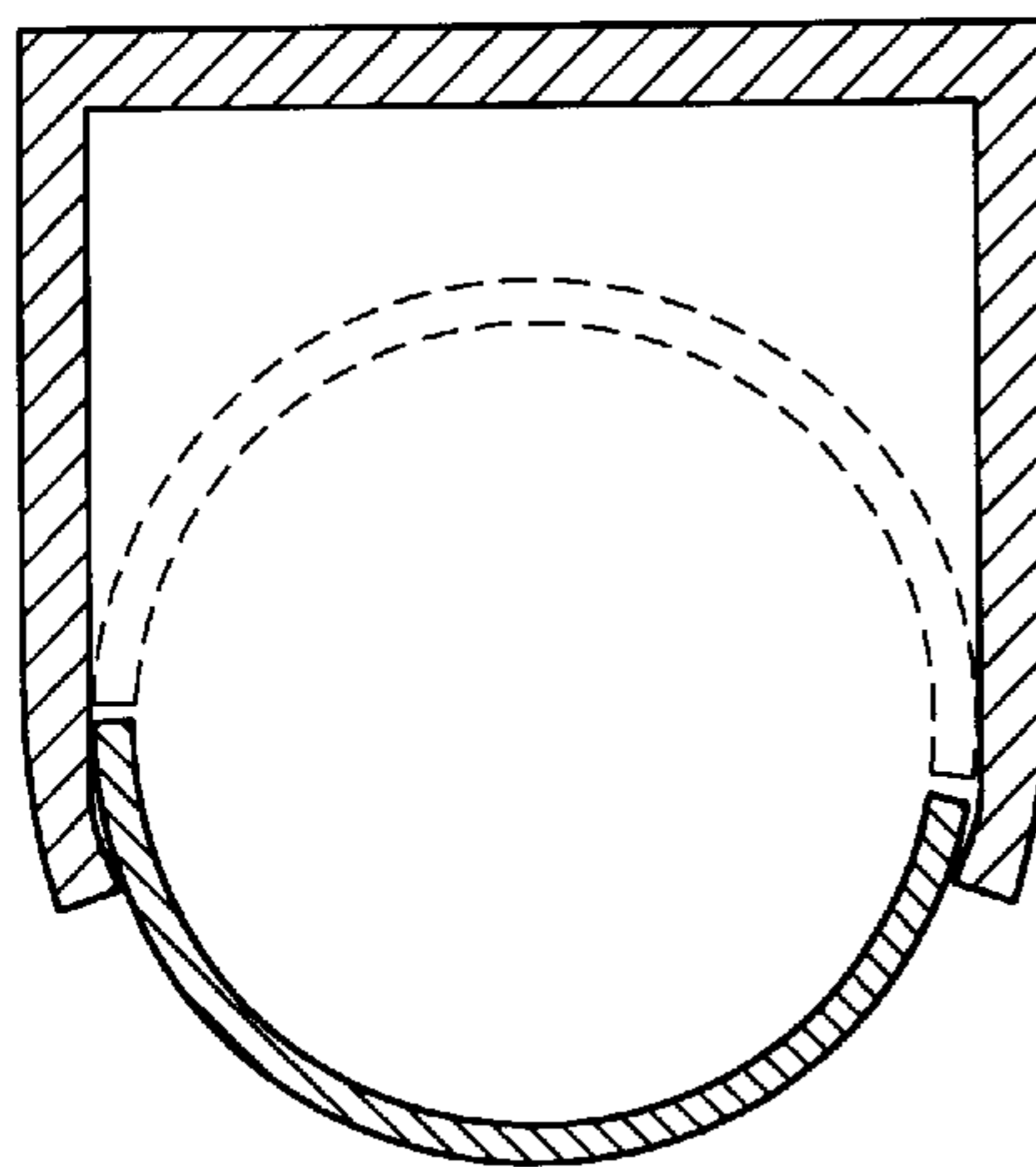


FIG. 7

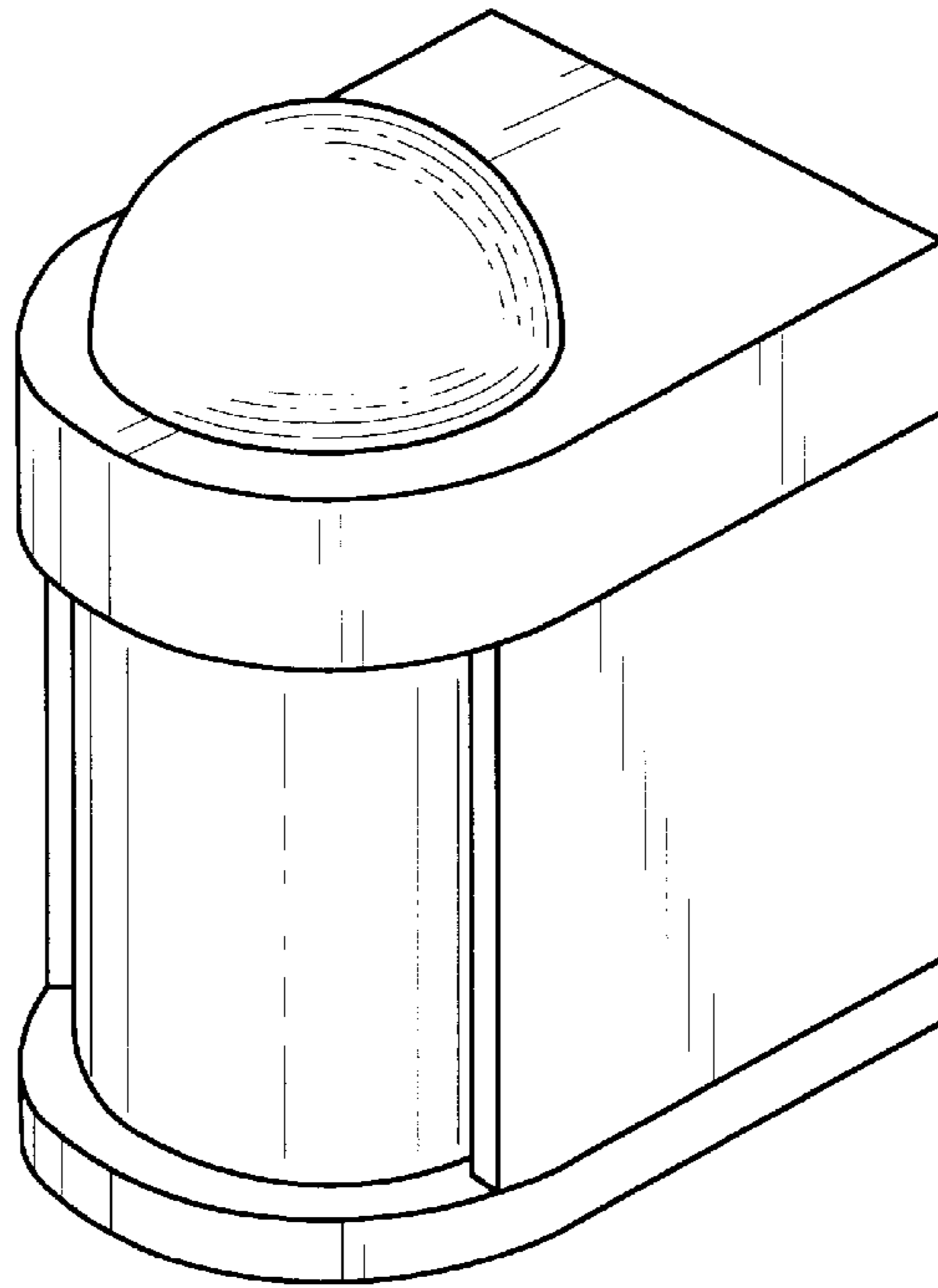


FIG. 8

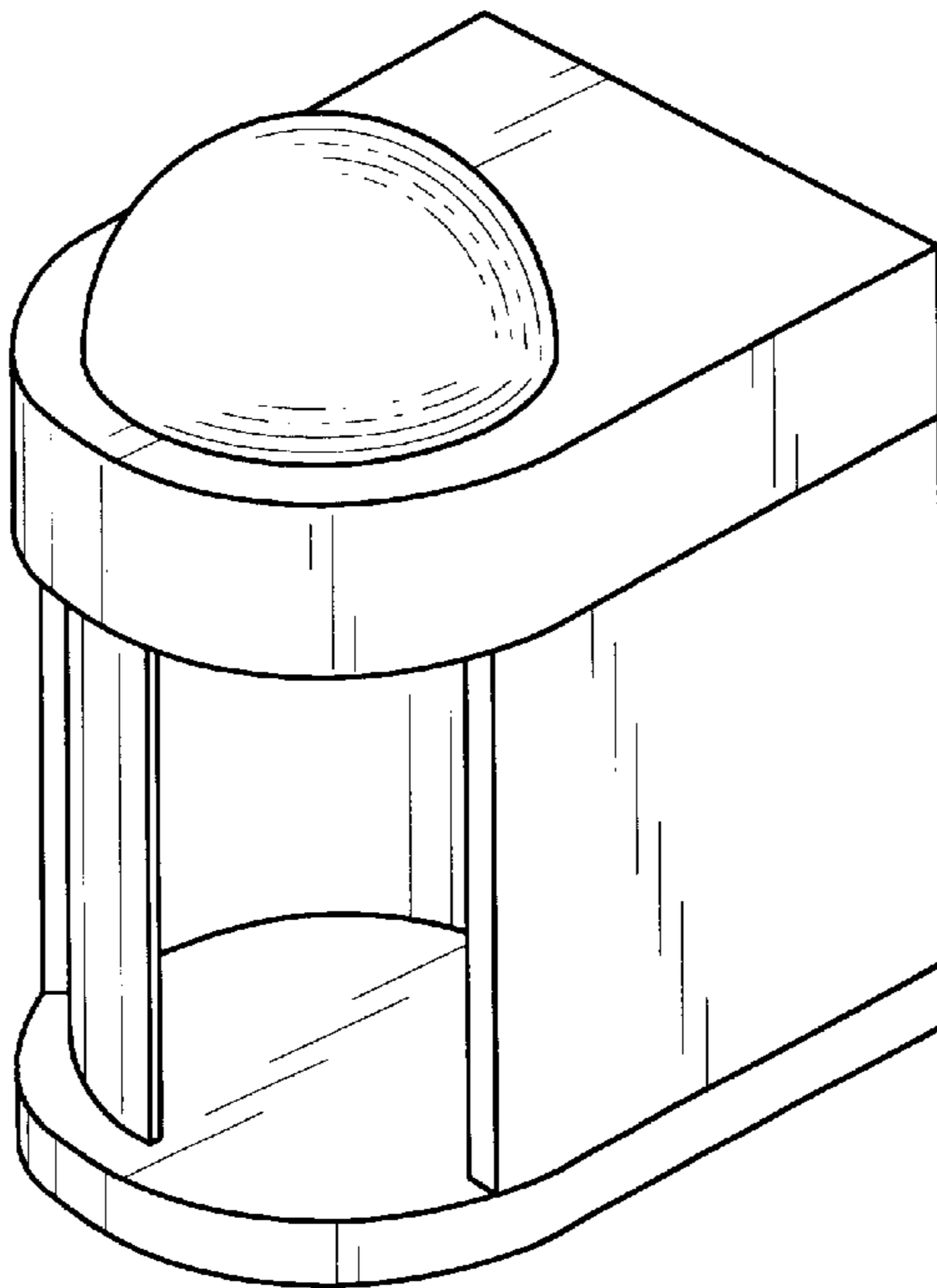


FIG. 9

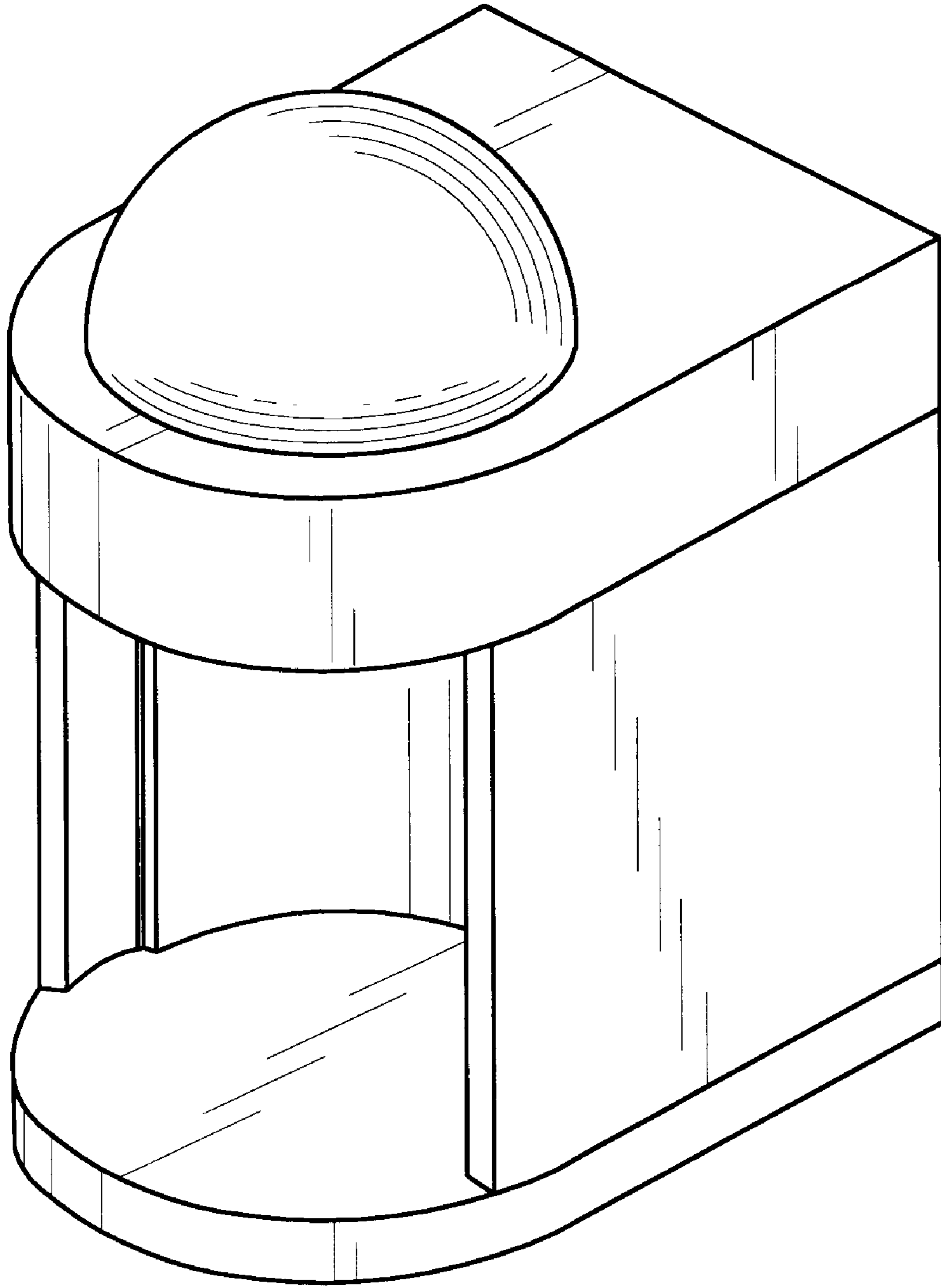


FIG. 10