



US00D435113S

# United States Patent [19] Horton

[11] Patent Number: Des. 435,113

[45] Date of Patent: \*\* Dec. 12, 2000

[54] KIOSK

[75] Inventor: Tony L. Horton, Dallas, Tex.

[73] Assignee: Viad Corporation, Grapevine, Tex.

[\*\*] Term: 14 Years

[21] Appl. No.: 29/122,245

[22] Filed: Apr. 20, 2000

[51] LOC (7) Cl. .... 25-03

[52] U.S. Cl. .... D25/16

[58] Field of Search ..... D25/16; 52/36.1,  
52/36.2, 36.4, 36.5

|            |         |                 |       |         |
|------------|---------|-----------------|-------|---------|
| D. 367,777 | 3/1996  | Arnone          | ..... | D6/436  |
| D. 368,606 | 4/1996  | Sargent, III    | ..... | D6/481  |
| D. 379,664 | 6/1997  | Horton          | ..... | D25/16  |
| D. 379,665 | 6/1997  | Horton          | ..... | D25/16  |
| D. 379,666 | 6/1997  | Horton          | ..... | D25/16  |
| D. 379,667 | 6/1997  | Horton          | ..... | D25/16  |
| D. 383,854 | 9/1997  | Ruscitto        | ..... | D25/16  |
| D. 396,113 | 7/1998  | Horton          | ..... | D25/16  |
| D. 396,114 | 7/1998  | Horton          | ..... | D25/16  |
| D. 403,179 | 12/1998 | Horton          | ..... | D6/474  |
| D. 405,629 | 2/1999  | Horton          | ..... | D6/474  |
| D. 406,354 | 3/1999  | Horton          | ..... | D25/16  |
| D. 406,903 | 3/1999  | Horton          | ..... | D25/16  |
| D. 407,921 | 4/1999  | Horton          | ..... | D6/474  |
| D. 413,392 | 8/1999  | Horton          | ..... | D25/16  |
| 589,971    | 9/1897  | Kephart         | .     |         |
| 2,836,860  | 6/1958  | Staropoli       | ..... | 20/1.6  |
| 3,715,815  | 2/1973  | Lewis           | ..... | 35/60   |
| 4,572,598  | 2/1986  | Moore           | ..... | 312/284 |
| 5,048,857  | 9/1991  | Stevens         | ..... | 280/651 |
| 5,375,899  | 12/1994 | Wright          | ..... | 296/21  |
| 5,551,774  | 9/1996  | Campbell et al. | ..... | 312/284 |

## [56] References Cited

### U.S. PATENT DOCUMENTS

|            |         |                     |       |        |
|------------|---------|---------------------|-------|--------|
| D. 54,883  | 4/1920  | Willett             | .     |        |
| D. 85,555  | 11/1931 | Stebbins            | .     |        |
| D. 148,842 | 3/1948  | Cushman             | ..... | D30/11 |
| D. 149,381 | 4/1948  | Schick              | ..... | D80/9  |
| D. 152,219 | 12/1948 | Schick              | ..... | D80/9  |
| D. 152,371 | 1/1949  | Schick              | ..... | D80/11 |
| D. 200,225 | 2/1965  | Benjamin            | ..... | D80/11 |
| D. 219,579 | 12/1970 | Wormser             | ..... | D25/4  |
| D. 254,327 | 2/1980  | Tasse               | ..... | D25/26 |
| D. 256,530 | 8/1980  | Johnson             | ..... | D6/144 |
| D. 260,708 | 9/1981  | Schindler           | ..... | D6/144 |
| D. 265,617 | 8/1982  | Sauroge, III et al. | ..... | D6/144 |
| D. 279,408 | 6/1985  | Davenport           | ..... | D25/25 |
| D. 288,040 | 2/1987  | LeBlanc             | ..... | D6/473 |
| D. 288,609 | 3/1987  | Watkins             | ..... | D25/11 |
| D. 302,221 | 7/1989  | Suttles et al.      | ..... | D6/481 |
| D. 313,077 | 12/1990 | Minarro             | ..... | D25/16 |
| D. 326,024 | 5/1992  | Boyd et al.         | ..... | D6/480 |
| D. 341,458 | 11/1993 | Carroll             | ..... | D34/20 |
| D. 346,867 | 5/1994  | Montilla            | ..... | D25/16 |
| D. 348,367 | 7/1994  | Geisen et al.       | ..... | D6/481 |
| D. 350,829 | 9/1994  | Horton              | ..... | D25/16 |
| D. 354,816 | 1/1995  | Horton              | ..... | D25/16 |

Primary Examiner—Doris Clark  
Attorney, Agent, or Firm—Locke Liddell & Sapp LLP

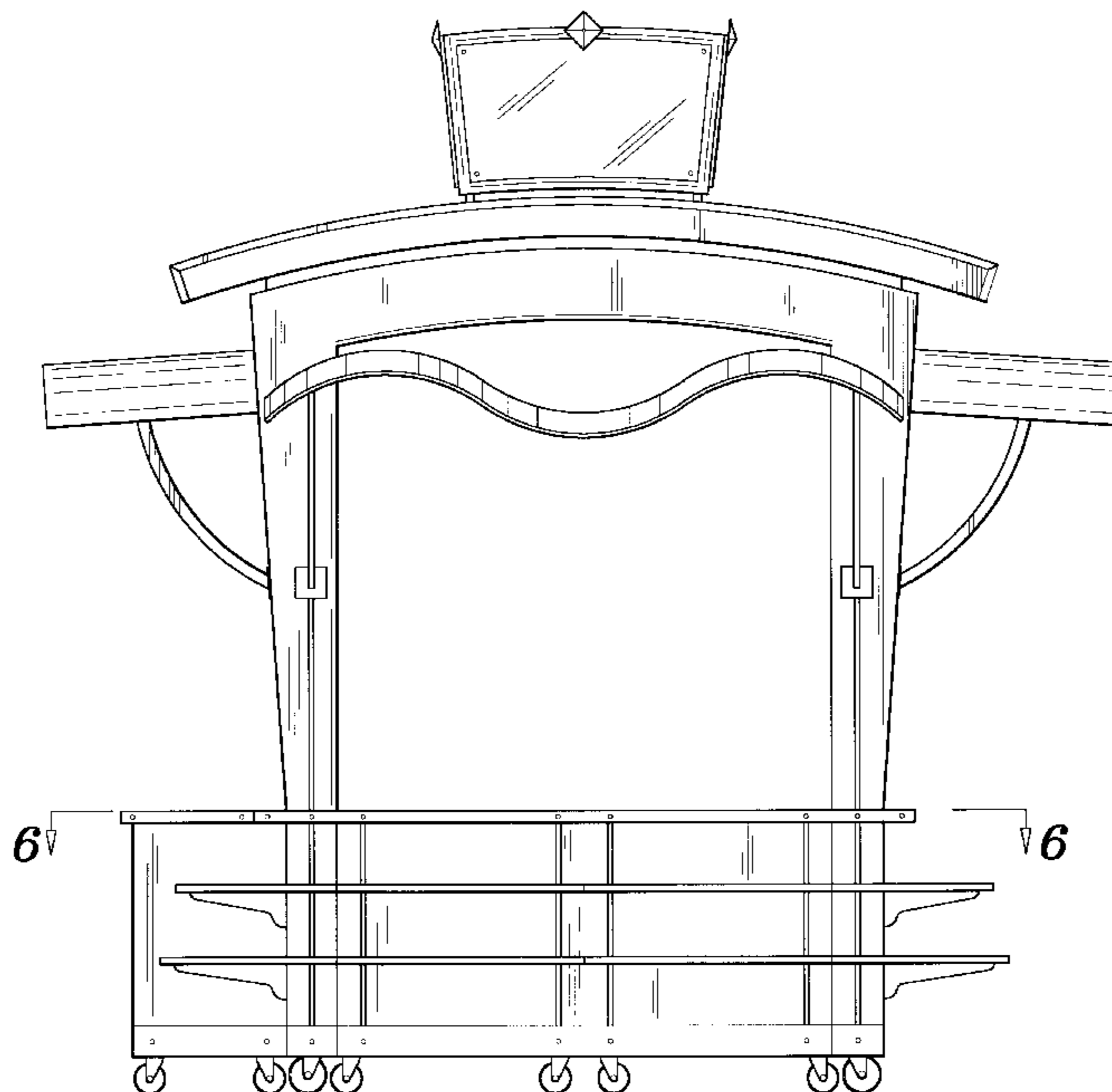
## [57] CLAIM

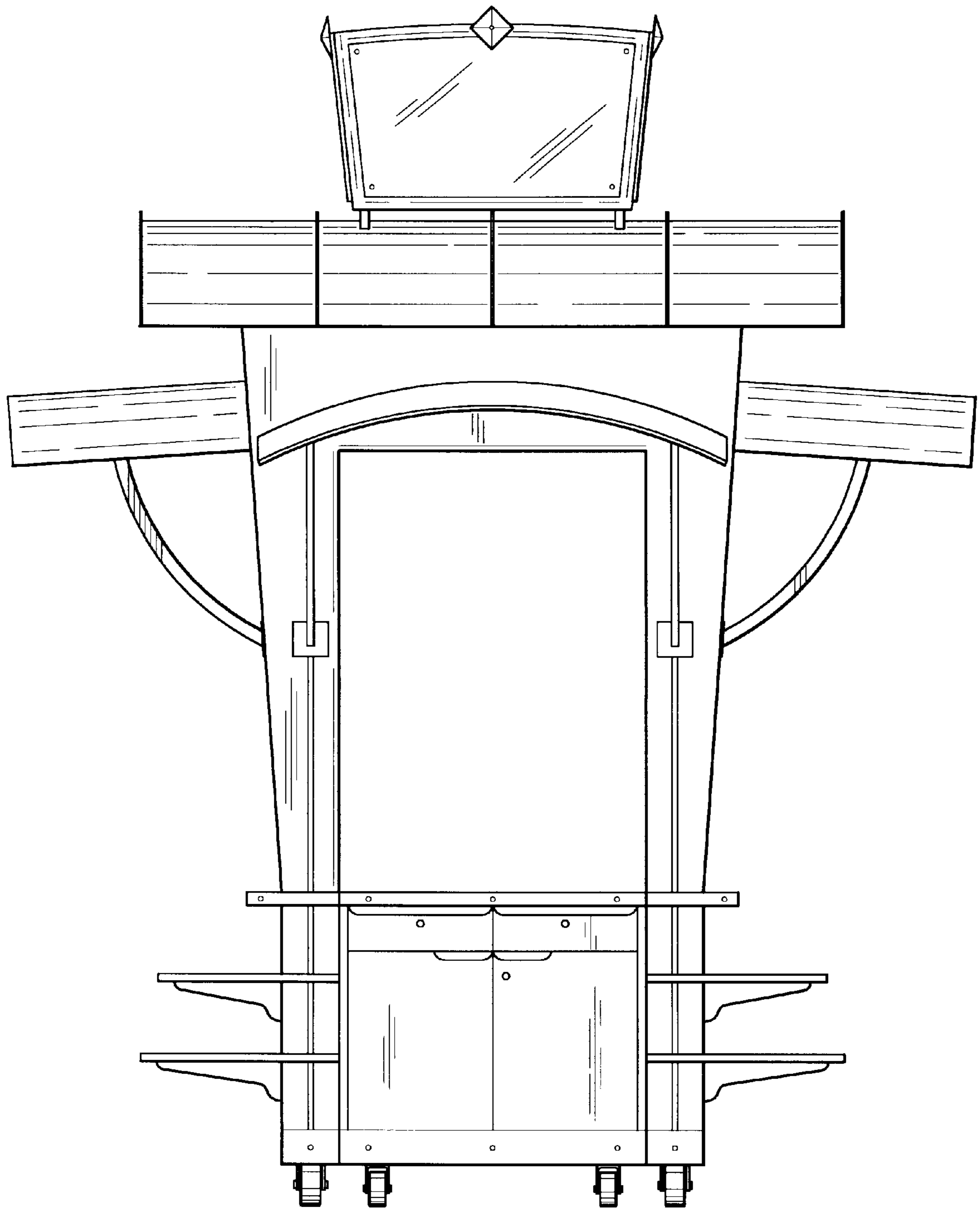
The ornamental design for kiosk, as shown and described.

## DESCRIPTION

FIG. 1 is a left side elevational view of a kiosk showing my new design;  
FIG. 2 is a front elevational view thereof, the rear elevational view being identical thereto;  
FIG. 3 is a right side elevational view thereof;  
FIG. 4 is a top plan view thereof;  
FIG. 5 is a bottom plan view thereof; and,  
FIG. 6 is a sectional view thereof taken generally along sectional lines 6—6 of FIG. 2.

1 Claim, 6 Drawing Sheets





*FIG. 1*

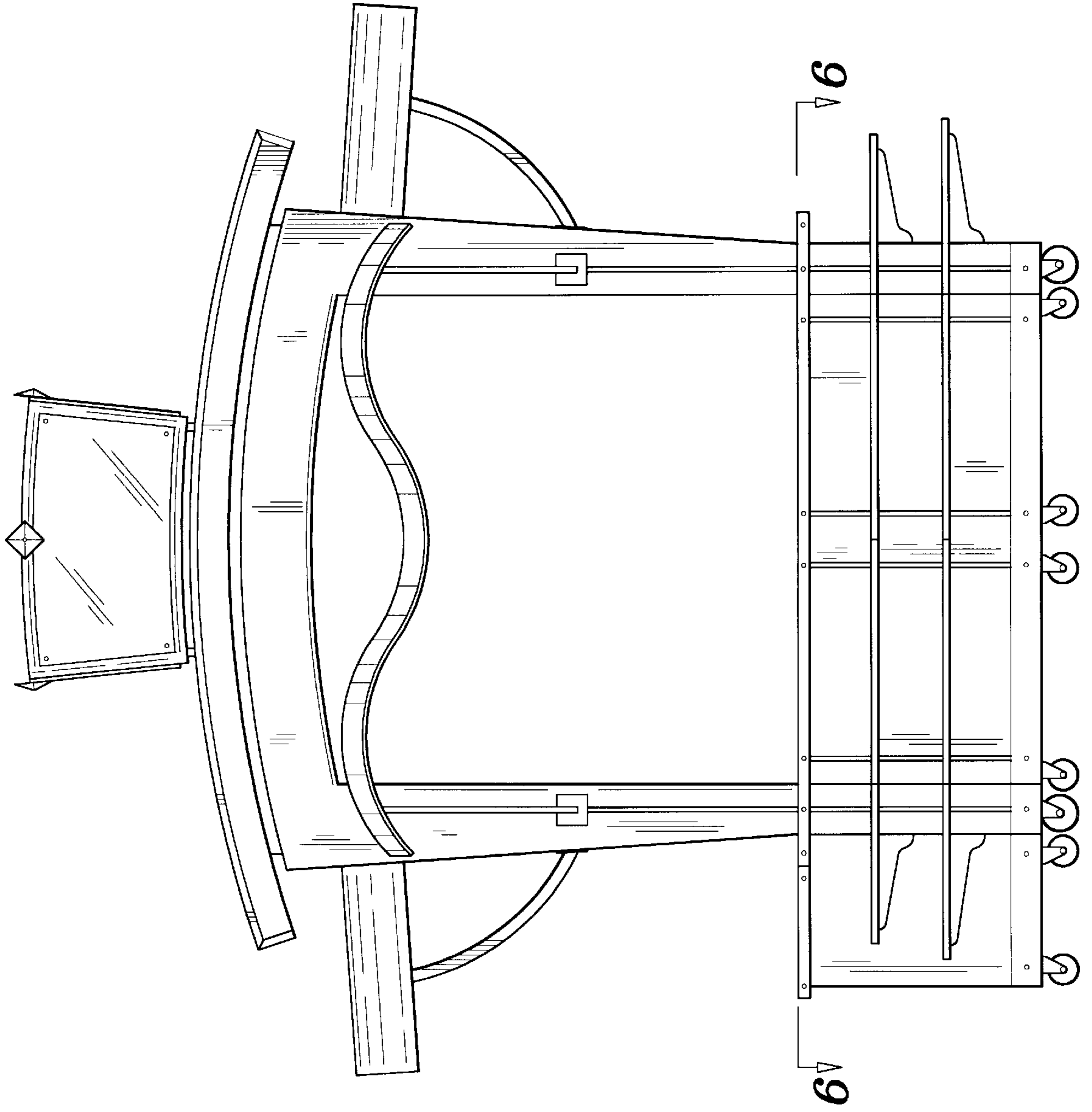
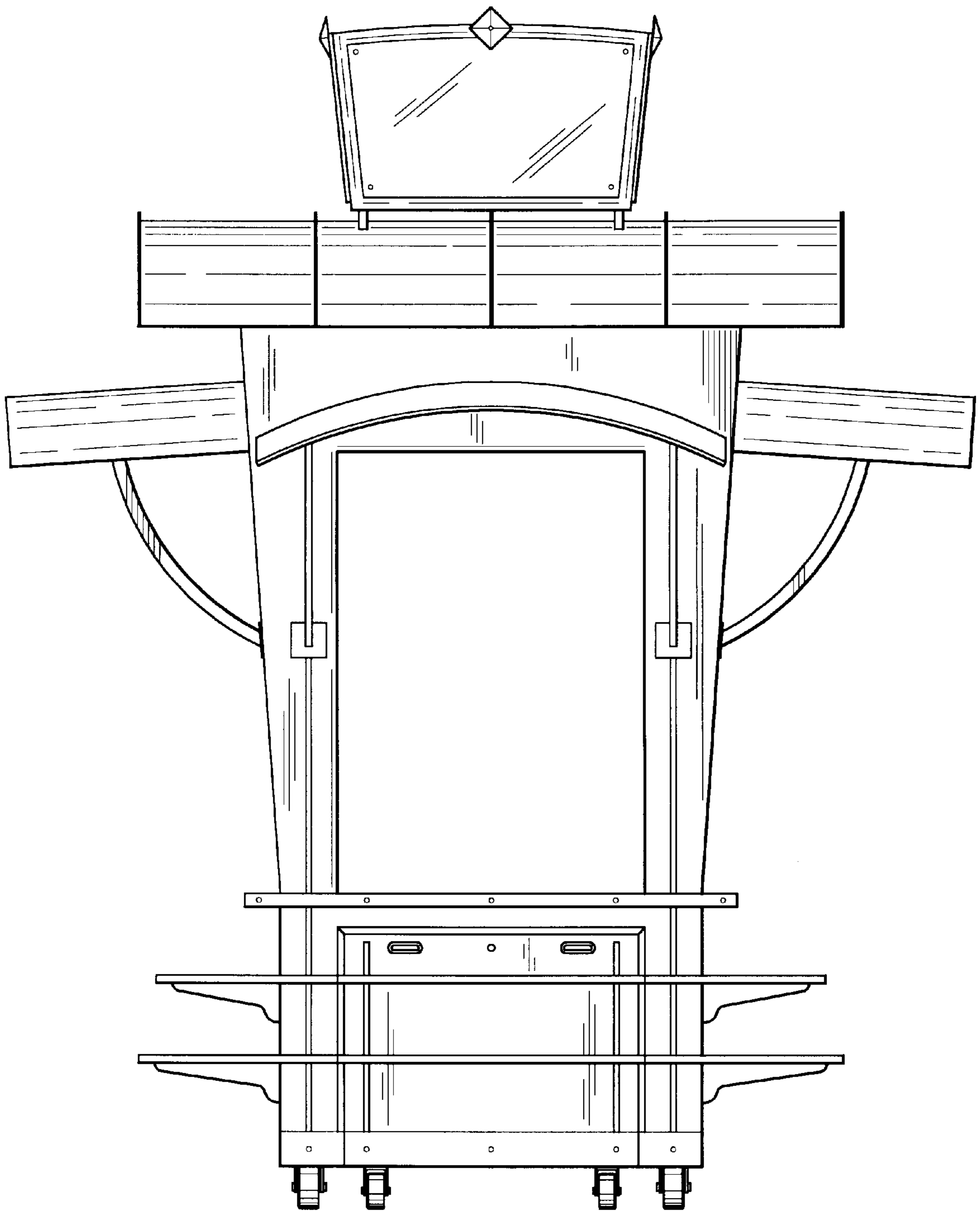
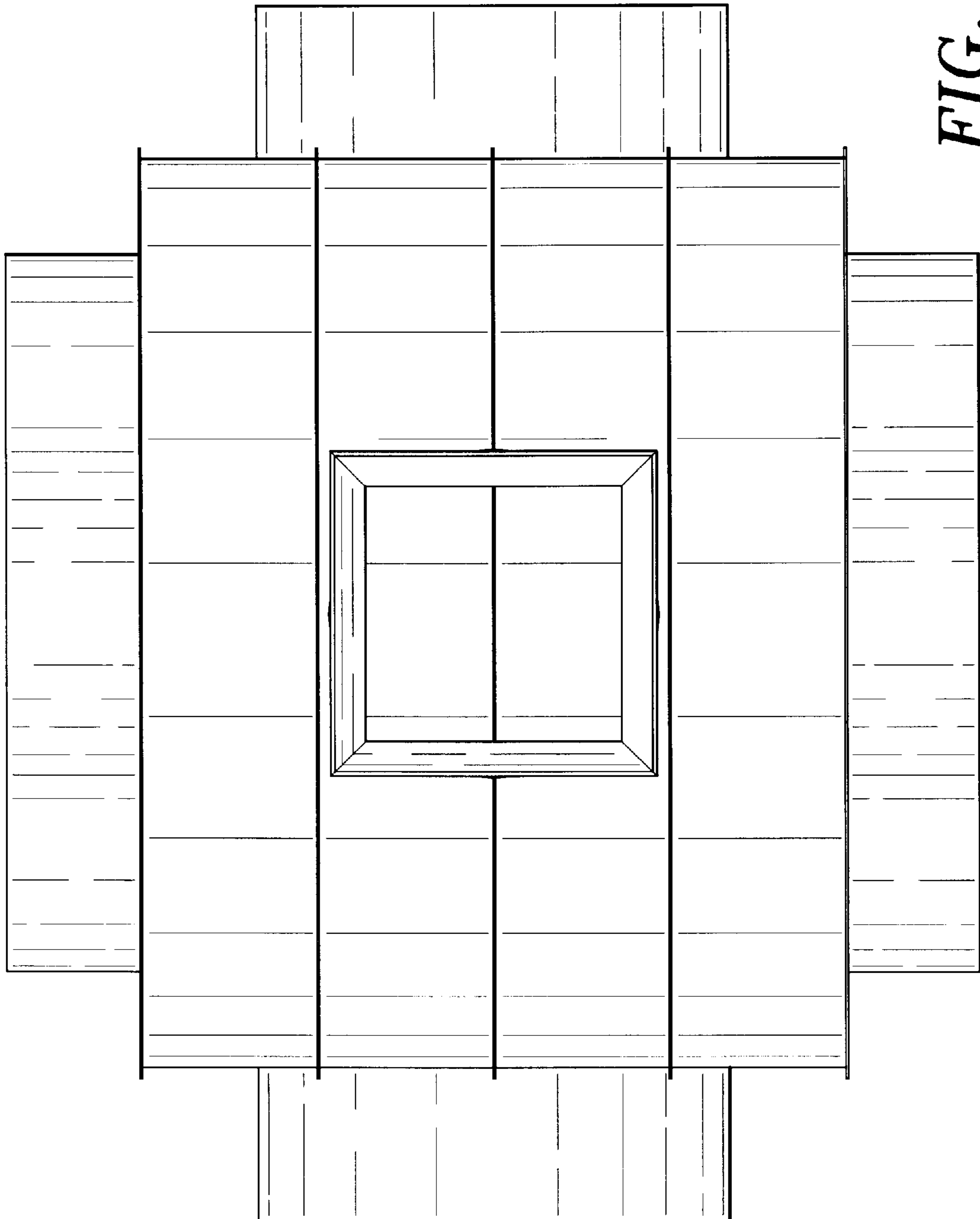


FIG. 2



*FIG. 3*



*FIG. 4*

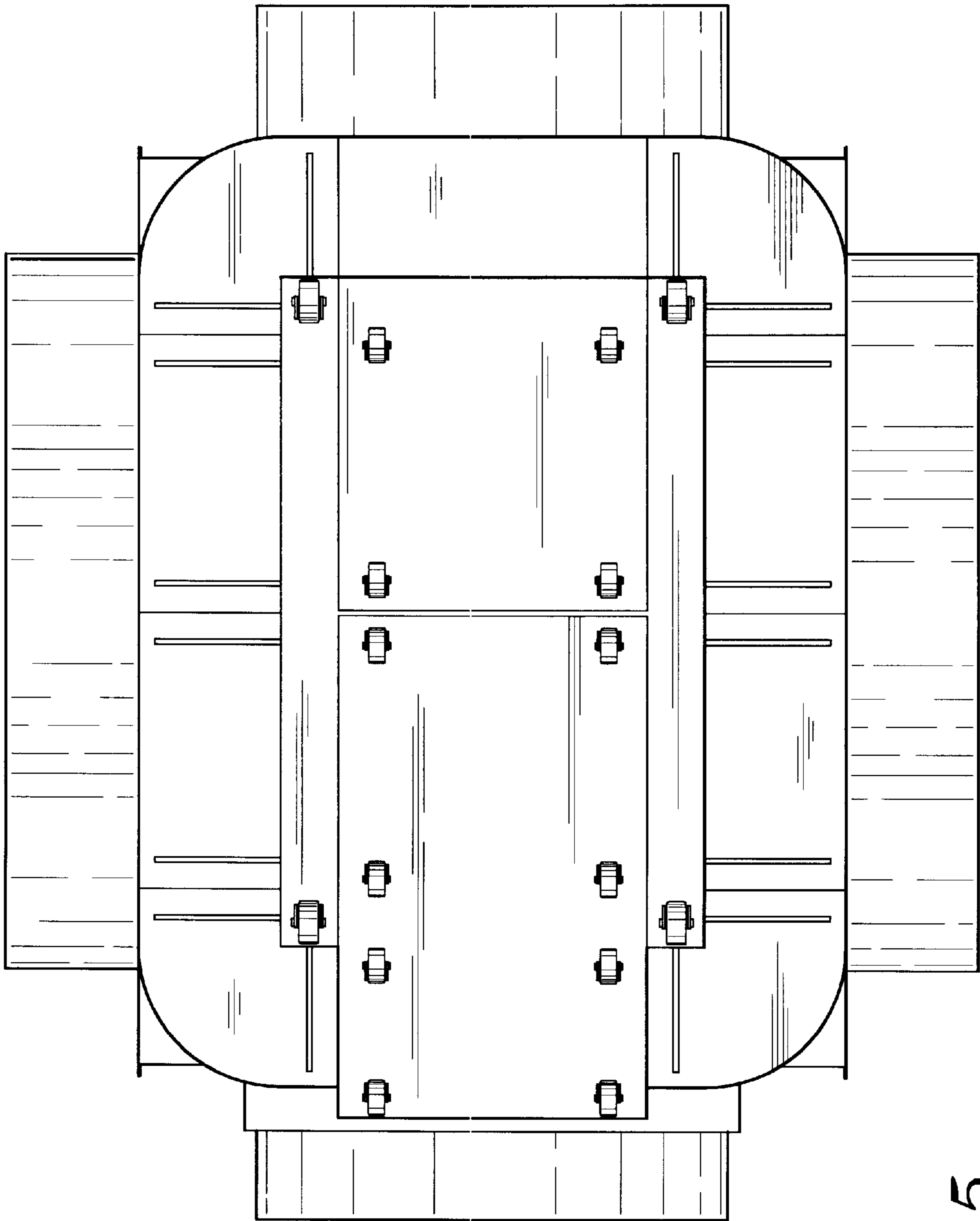
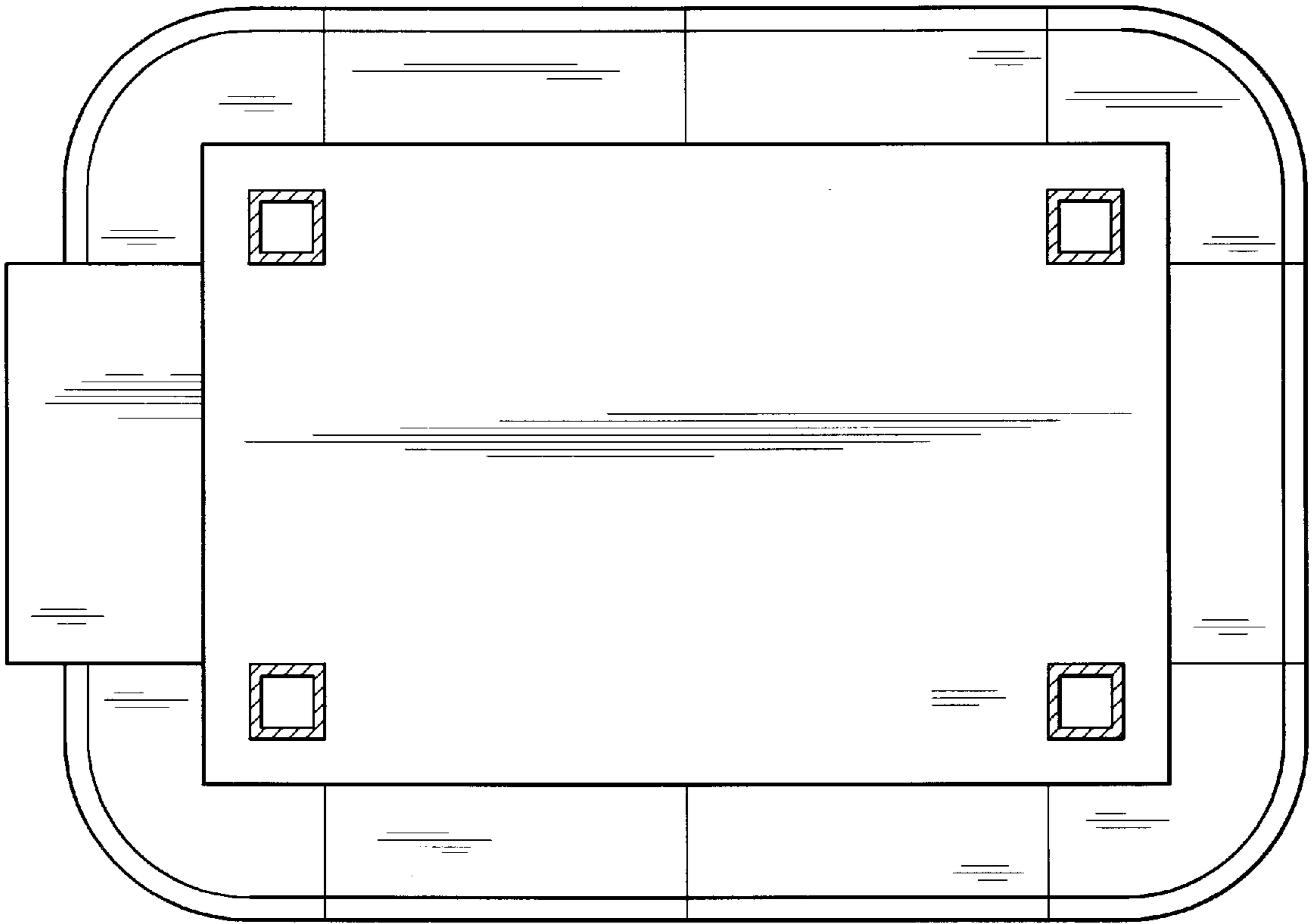


FIG. 5



*FIG. 6*