



US00D435112S

# United States Patent [19]

Kumar et al.

[11] Patent Number: Des. 435,112

[45] Date of Patent: \*\* Dec. 12, 2000

[54] **CAPILLARY TUBE HOLDER**

[75] Inventors: **Amit Kumar**, Milpitas; **Richard Michele Rocco**, Sunnyvale; **Mark Charles Platshon**, Menlo Park, all of Calif.

[73] Assignee: **Idexx Laboratories, Inc.**, Westbrook, Me.

[\*\*] Term: **14 Years**

[21] Appl. No.: **29/057,662**

[22] Filed: **Jul. 29, 1996**

[51] **LOC (7) Cl.** ..... **24-02**

[52] **U.S. Cl.** ..... **D24/224**

[58] **Field of Search** ..... D24/224, 229, D24/219; 622/99; 436/527

[56] **References Cited**

**U.S. PATENT DOCUMENTS**

D. 367,714 3/1996 Pennicook ..... D24/224  
5,624,850 4/1997 Kumar et al. .... 436/257

*Primary Examiner*—Louis S. Zarfaz  
*Assistant Examiner*—Gregory Andoll

*Attorney, Agent, or Firm*—Howrey Simon Arnold & White, LLP

[57] **CLAIM**

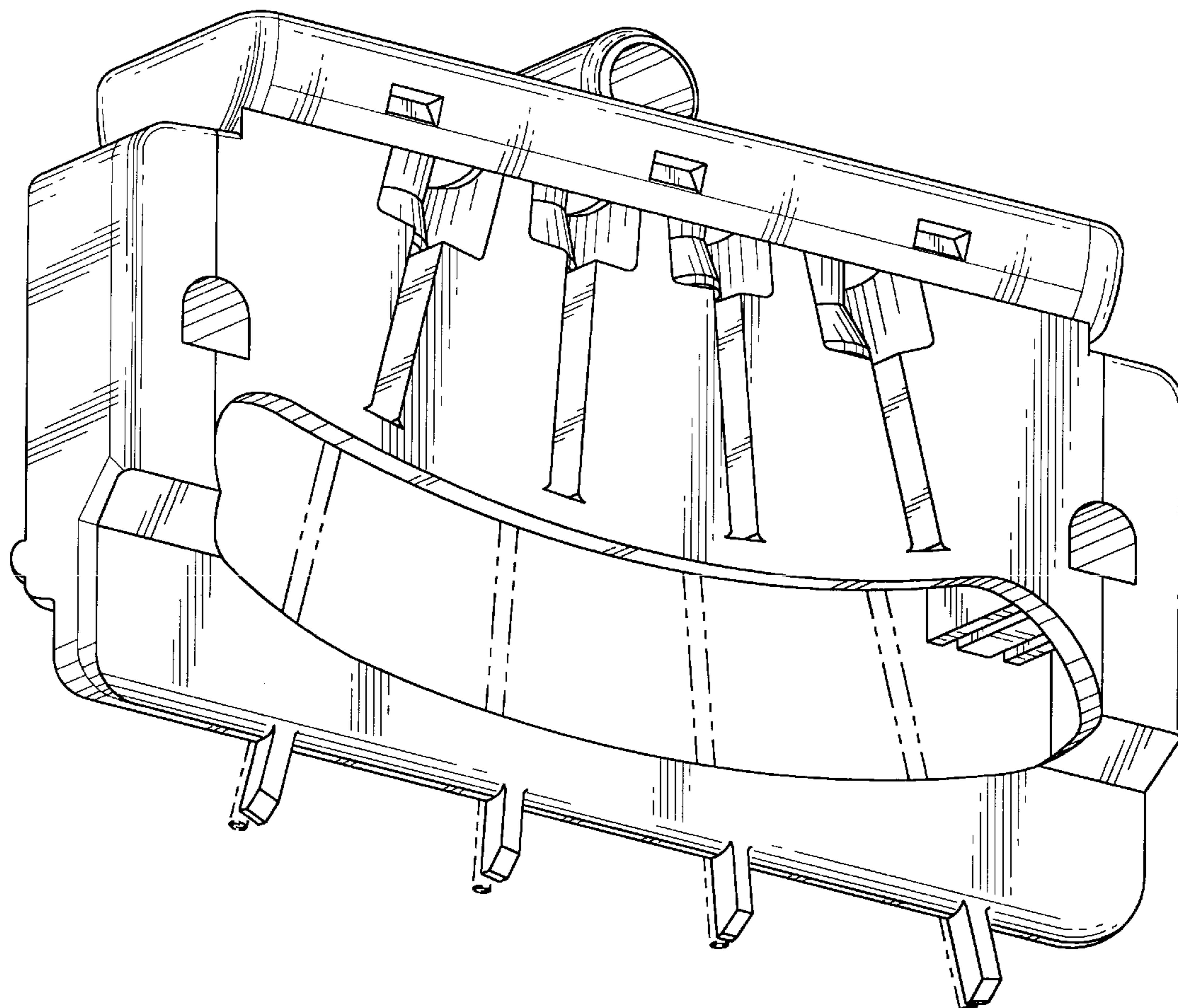
The ornamental design for a capillary tube holder, as shown and described.

**DESCRIPTION**

FIG. 1 is a perspective view of a capillary tube holder, showing our new design;  
FIG. 2 is a perspective view of the reverse side thereof;  
FIG. 3 is a perspective view similar to FIG. 2, but rotated toward one end thereof;  
FIG. 4 is a top view thereof;  
FIG. 5 is a bottom view thereof;  
FIG. 6 is an end view thereof  
FIG. 7 is the opposite end view thereof; and,  
FIG. 8 is a side view thereof; the other side being a mirror image thereof.

The broken line showing of the capillary tubes in the Figures is for illustrative purposes only and forms no part of the claimed design.

**1 Claim, 7 Drawing Sheets**



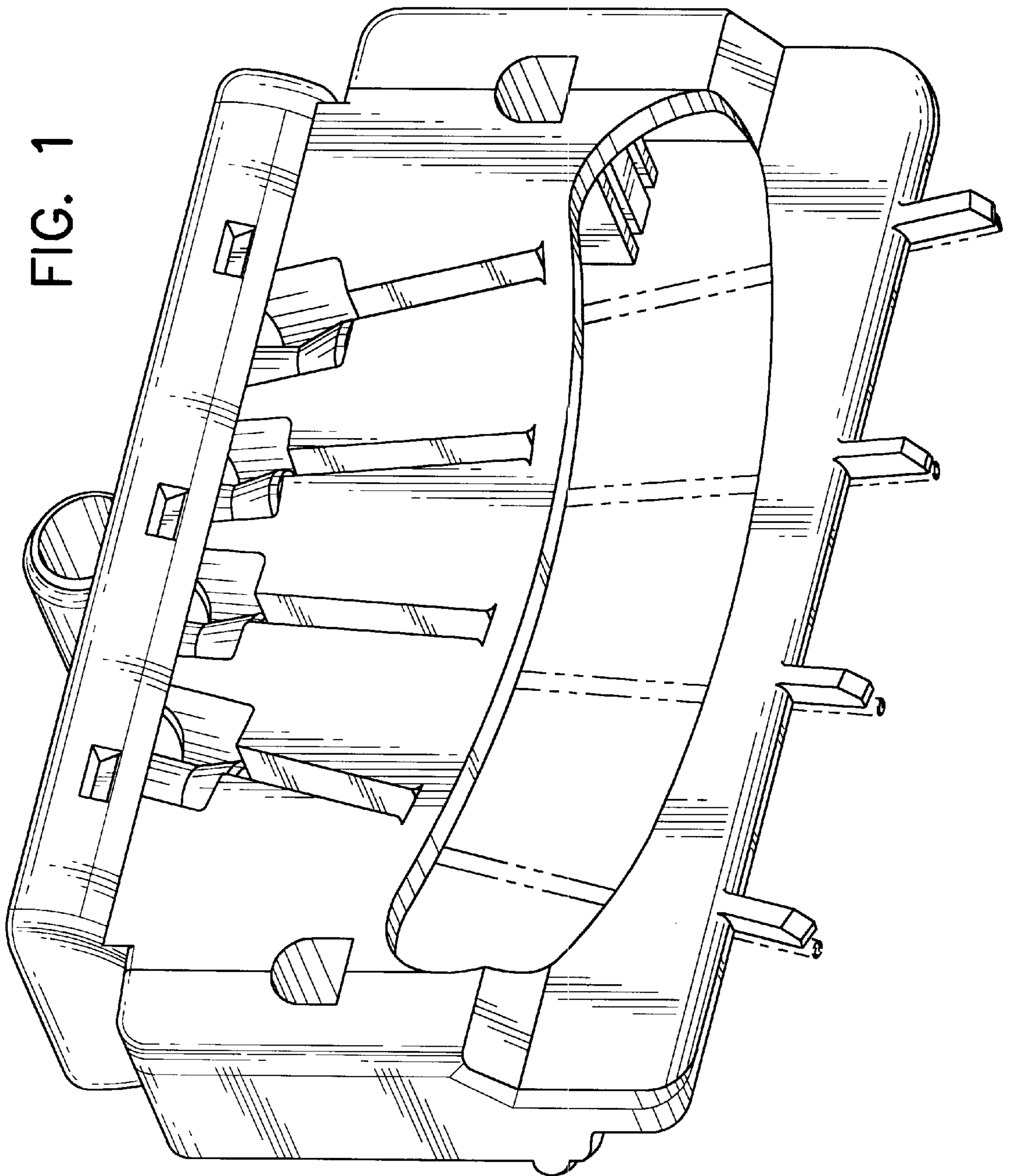
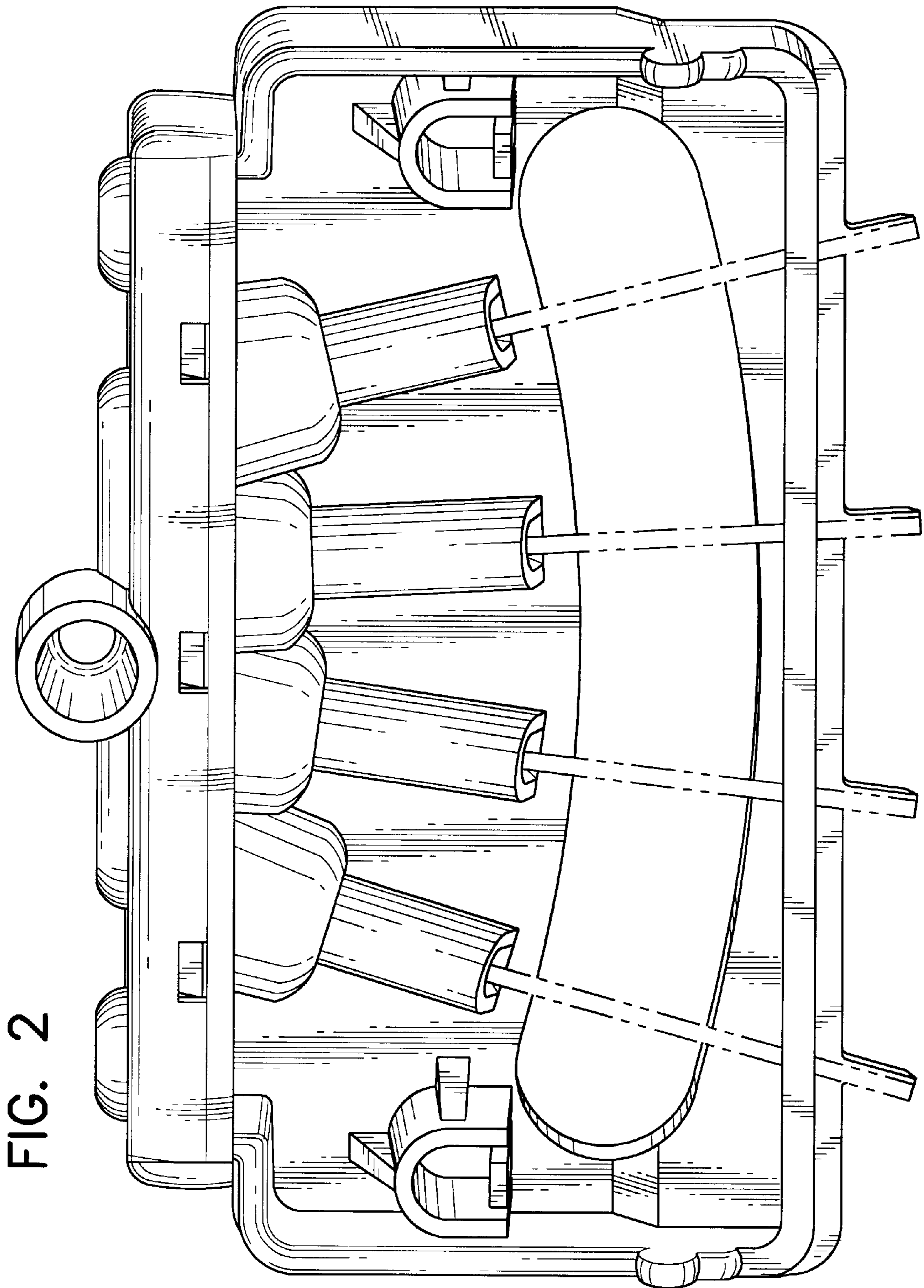


FIG. 1



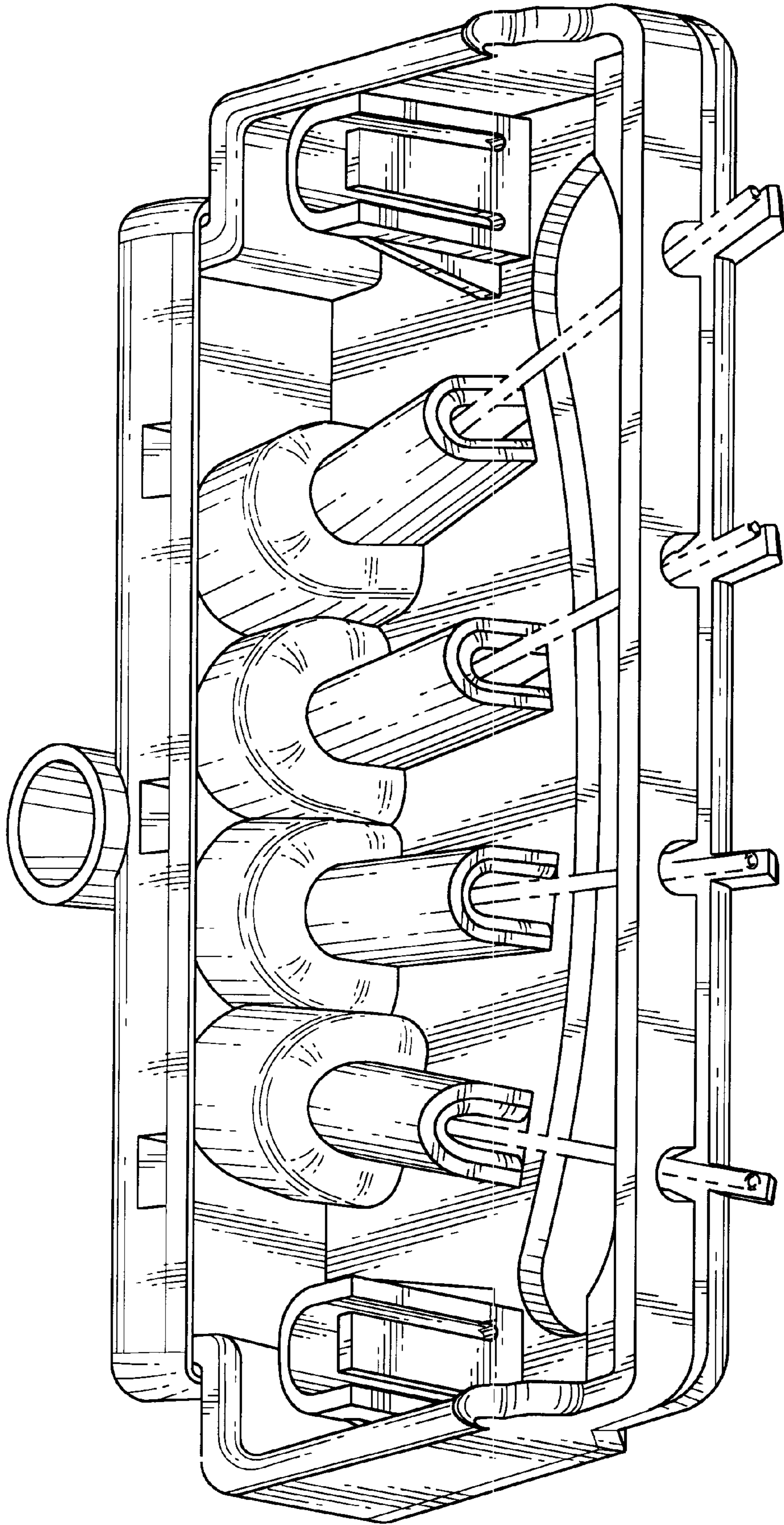
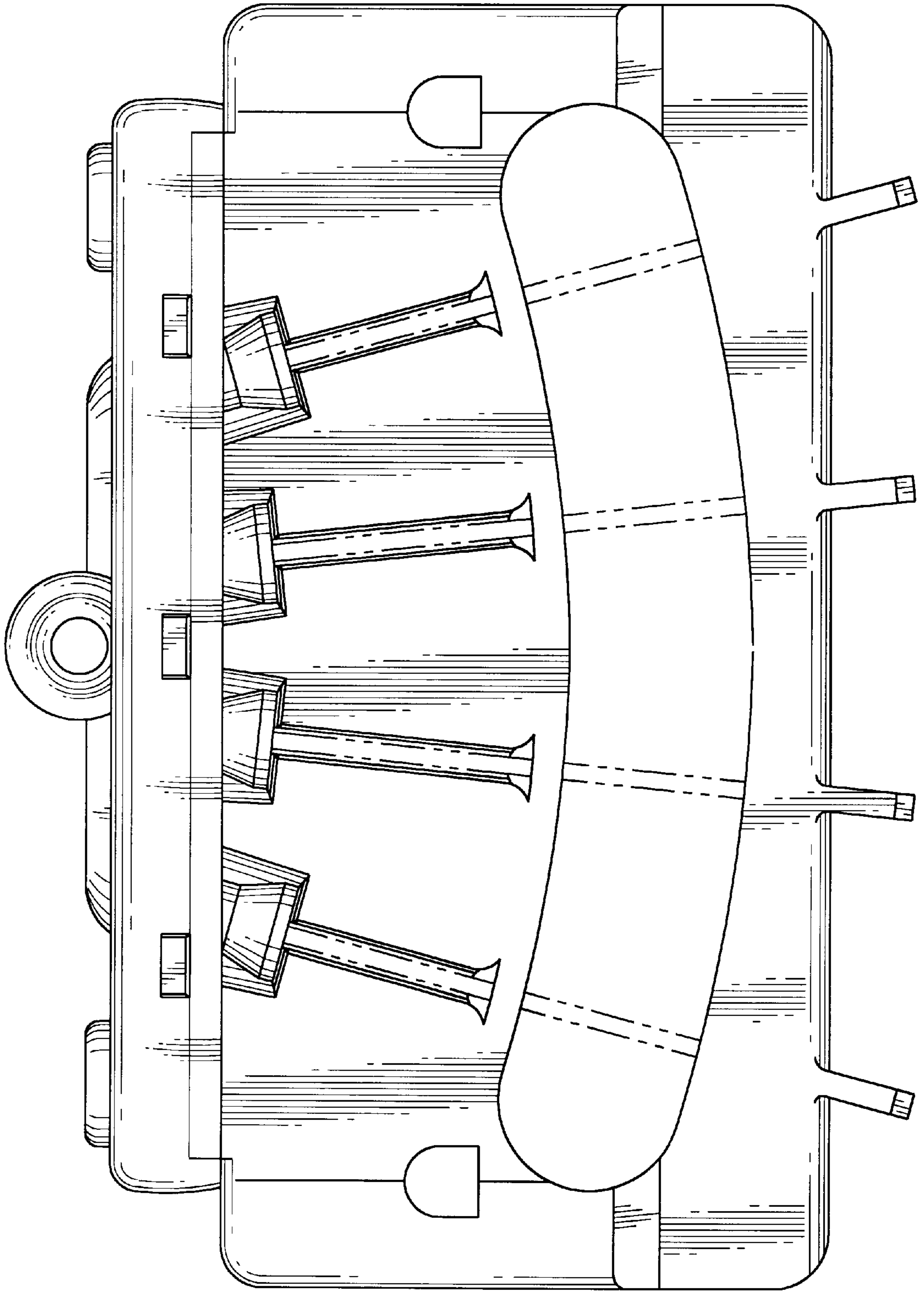


FIG. 3

FIG. 4



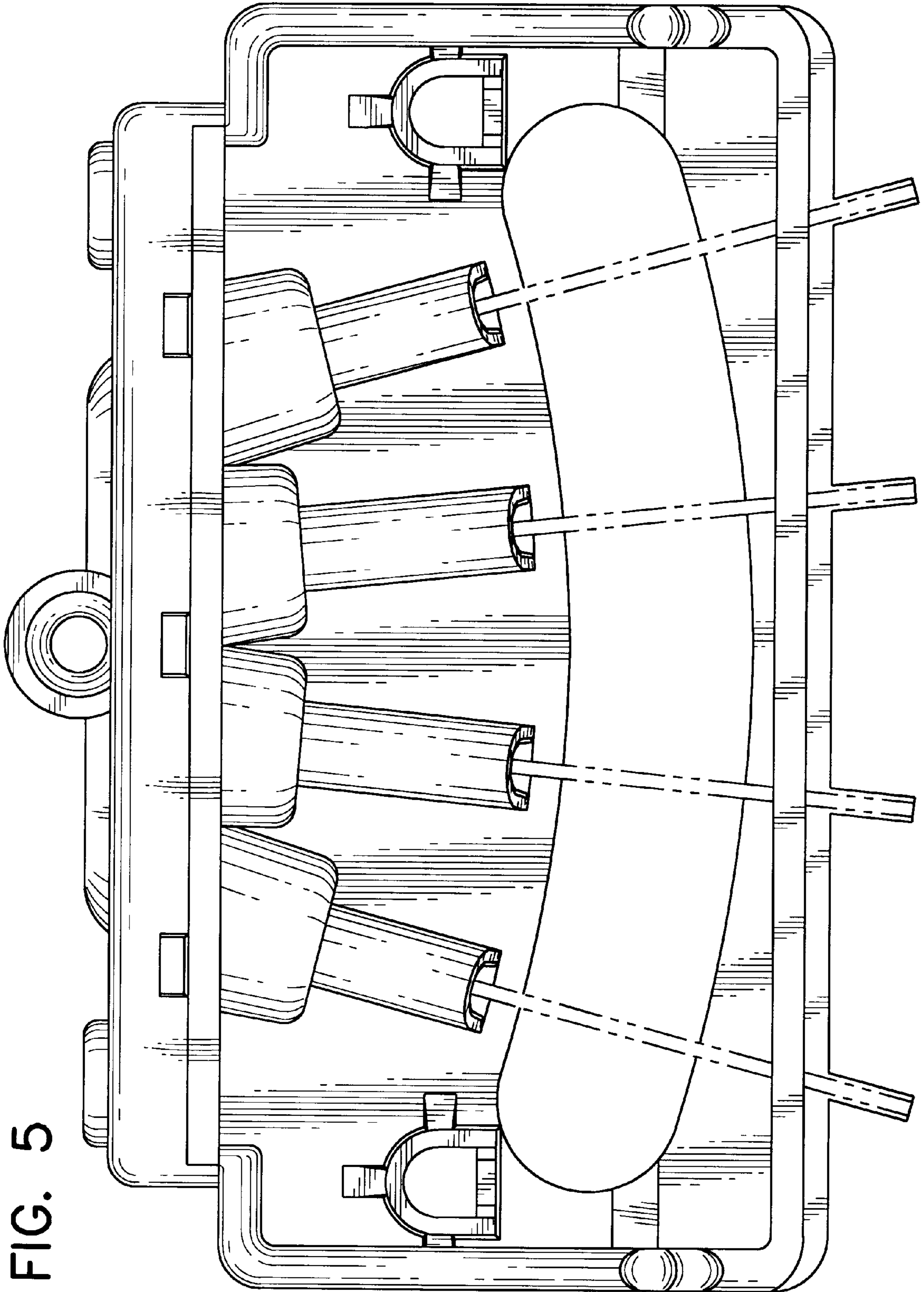


FIG. 5

FIG. 6

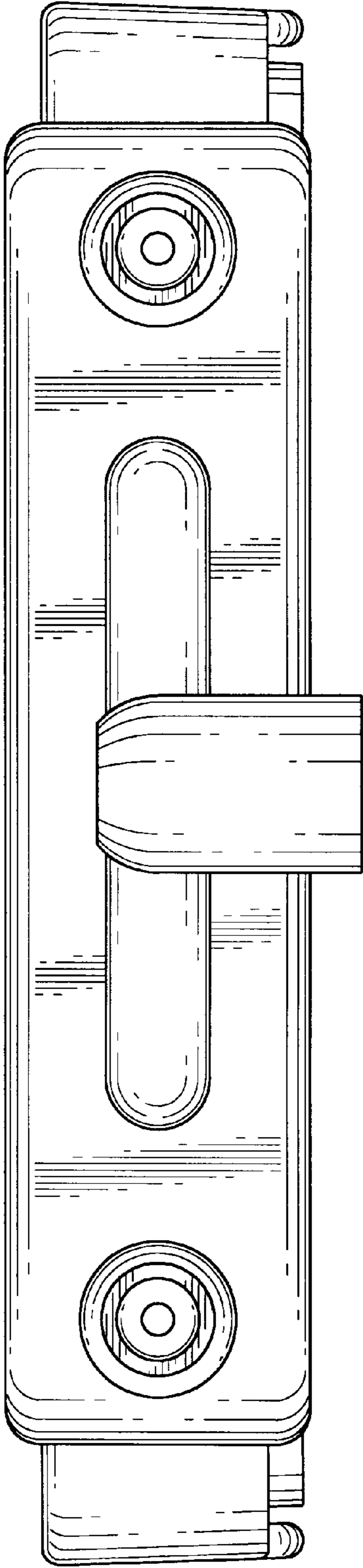


FIG. 7

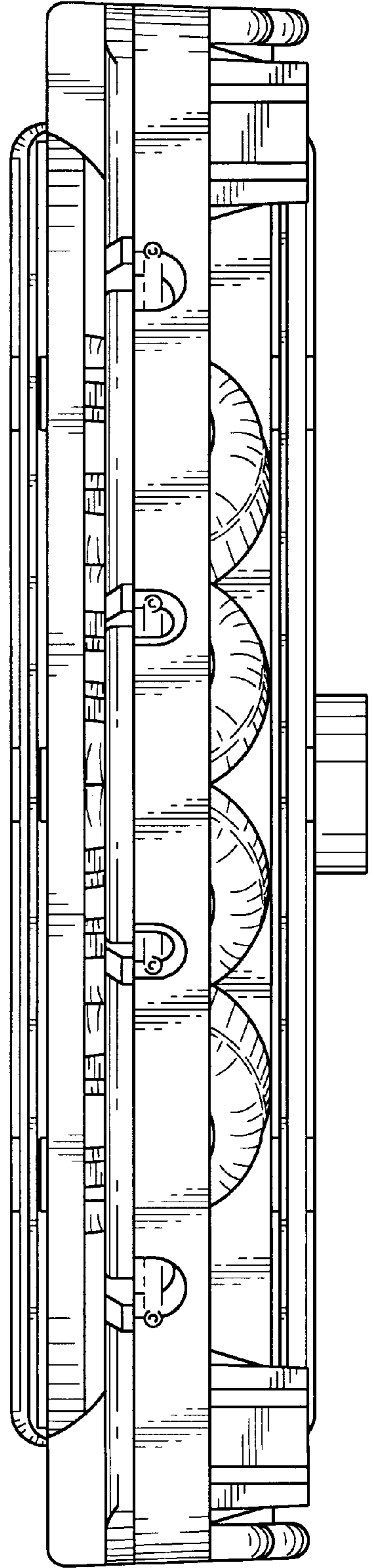


FIG. 8

