



US00D435109S

# United States Patent [19] Stojanović

[11] Patent Number: Des. 435,109

[45] Date of Patent: \*\* Dec. 12, 2000

[54] THERAPEUTIC TREATMENT DEVICE

[76] Inventor: Branislav Stojanović, D. Stojanović 6,  
2100 Novi Sad, Yugoslavia

[\*\*] Term: 14 Years

[21] Appl. No.: 29/099,271

[22] Filed: Jan. 11, 1996

### Related U.S. Application Data

[63] Continuation of application No. 08/322,060, Oct. 12, 1994,  
Pat. No. 5,498,233, which is a continuation of application  
No. 07/855,772, Mar. 23, 1992, abandoned.

[51] LOC (7) Cl. .... 24-04

[52] U.S. Cl. .... D24/200

[58] Field of Search ..... D24/200, 211,  
D24/212, 213, 214, 215; 600/9, 12, 13,  
14, 15; 601/16, 18, 128, 134, 135, 137;  
606/201, 204, 240; 607/108, 109; 128/845,  
907

### [56] References Cited

#### U.S. PATENT DOCUMENTS

2,447,698	8/1948	Haberer .	
3,605,731	9/1971	Tigges .	
4,230,099	10/1980	Richardson .	
4,411,258	10/1983	Pujals, Jr. .	
4,716,898	1/1988	Chauve et al. .	
4,760,842	8/1988	Holmes .	
5,007,633	4/1991	Lemire .	
5,035,017	7/1991	Komuro .	
5,048,509	9/1991	Grundeit et al. .	
5,103,808	4/1992	Iams et al. ....	601/134
5,120,288	6/1992	Sinaki .	
5,140,995	8/1992	Uhl .	
5,158,073	10/1992	Bukowski .	
5,267,947	12/1993	James et al. .	
5,290,307	3/1994	Choy .	

5,312,350	5/1994	Jacobs .	
5,328,447	7/1994	Kapounek et al. .	
5,352,188	10/1994	Vitko .....	601/128
5,437,614	8/1995	Grim .	
5,498,233	3/1996	Stojanović .	

### FOREIGN PATENT DOCUMENTS

2187284	10/1987	France .	
120697	5/1901	Germany .	
2128410	12/1972	Germany .	
2334500	1/1975	Germany .	
2506647	10/1976	Germany .	
3525521 A1	1/1987	Germany .	
1120-997	10/1984	U.S.S.R. .	
2193429	2/1988	United Kingdom .	
WO 86/05091	9/1986	WIPO .	

### OTHER PUBLICATIONS

Kosmodisk Brochure (undated, but understood by Applicant to have been published after Apr. 1991) (translation provided).

Primary Examiner—Stella Reid  
Attorney, Agent, or Firm—Baker & McKenzie

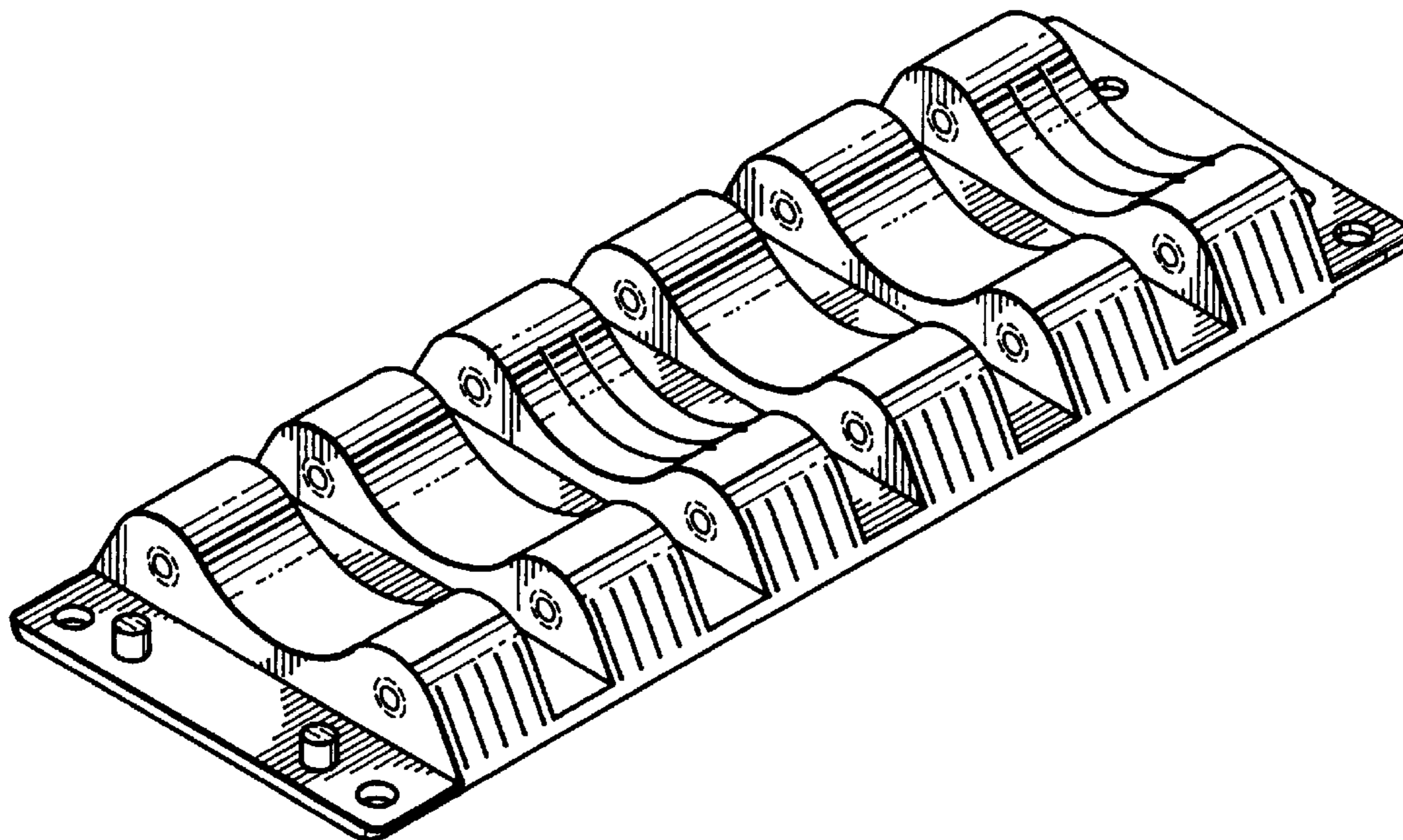
### [57] CLAIM

The ornamental design for a thereapeutic treatment device, as shown.

### DESCRIPTION

FIG. 1 is a perspective view of a therapeutic treatment device showing the new design;  
FIG. 2 is a front face view thereof;  
FIG. 3 is a side view thereof;  
FIG. 4 is a rear face view thereof;  
FIG. 5 is a sectional view taken along line 5—5 of FIG. 2;  
and,  
FIG. 6 is a bottom view thereof.

1 Claim, 2 Drawing Sheets



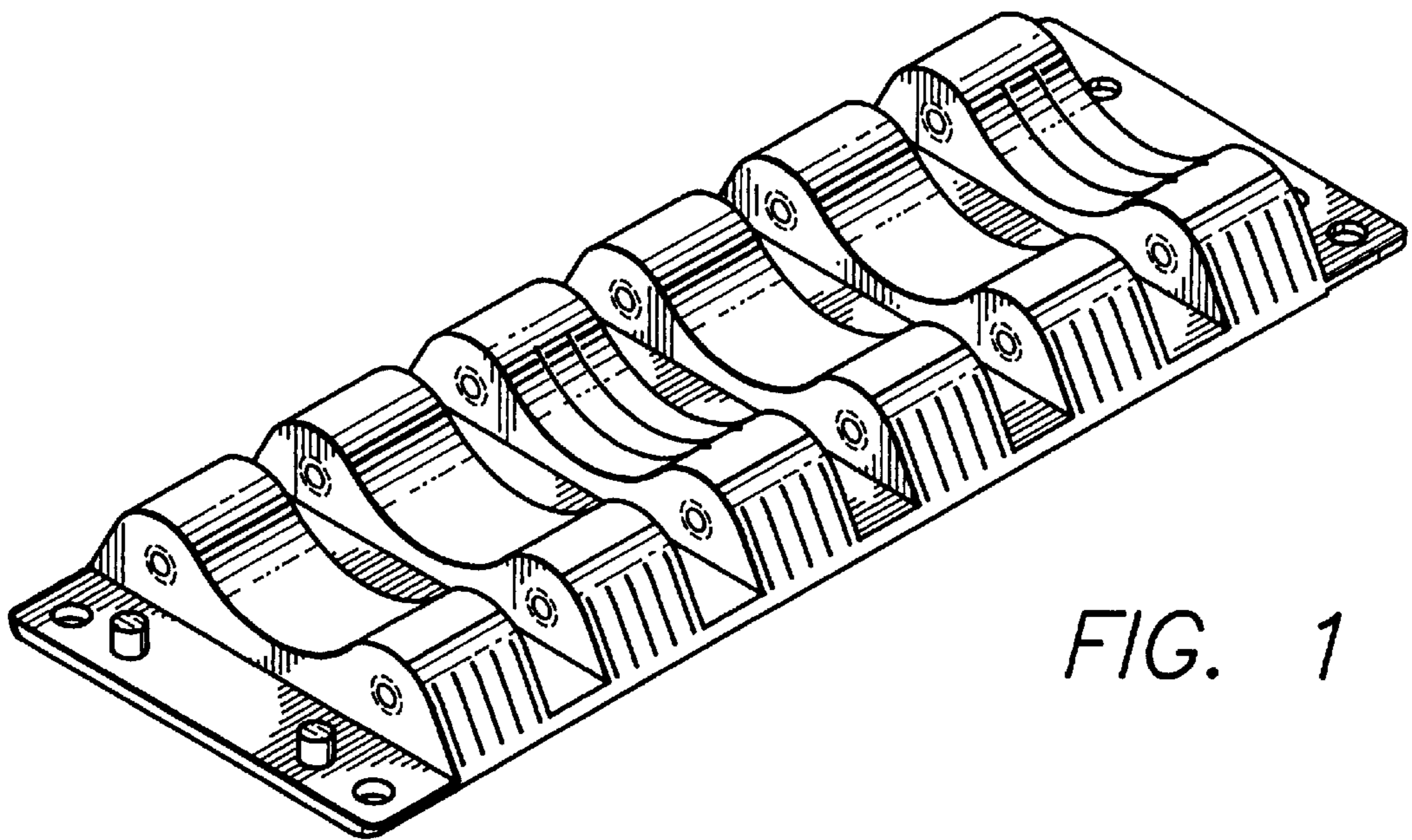


FIG. 1

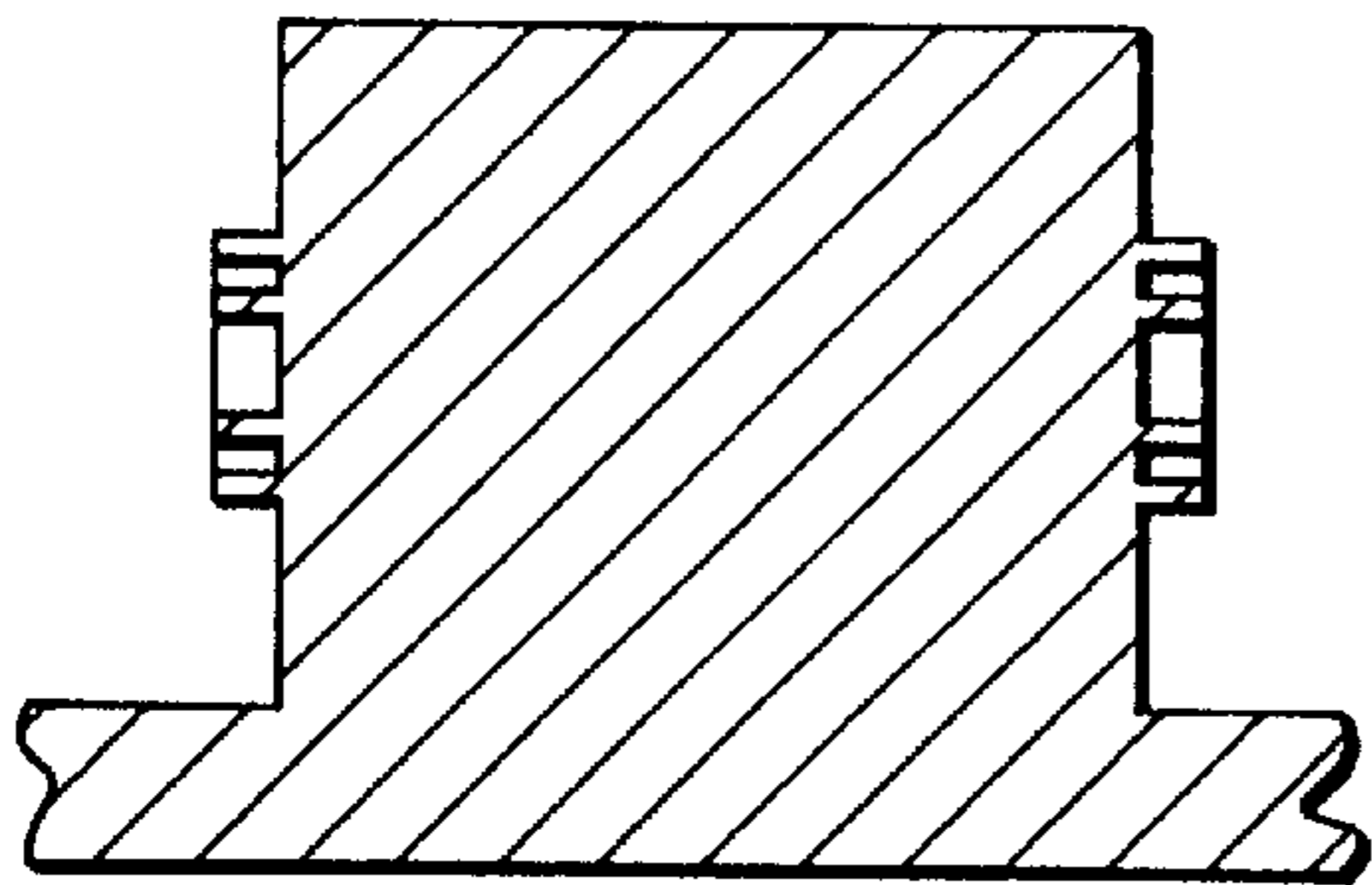


FIG. 5

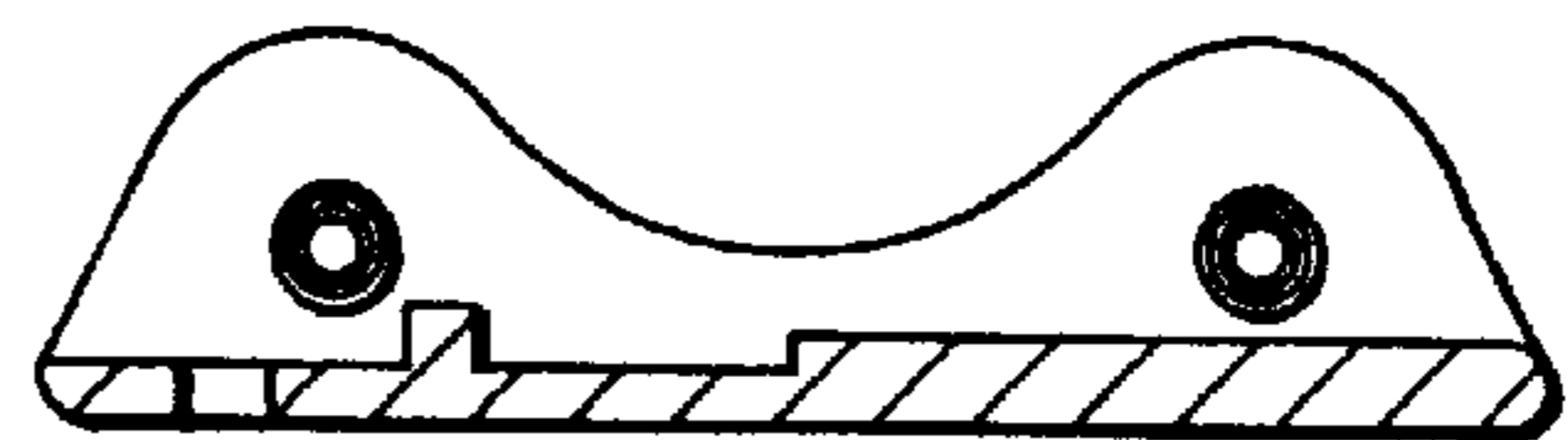


FIG. 6

FIG. 2

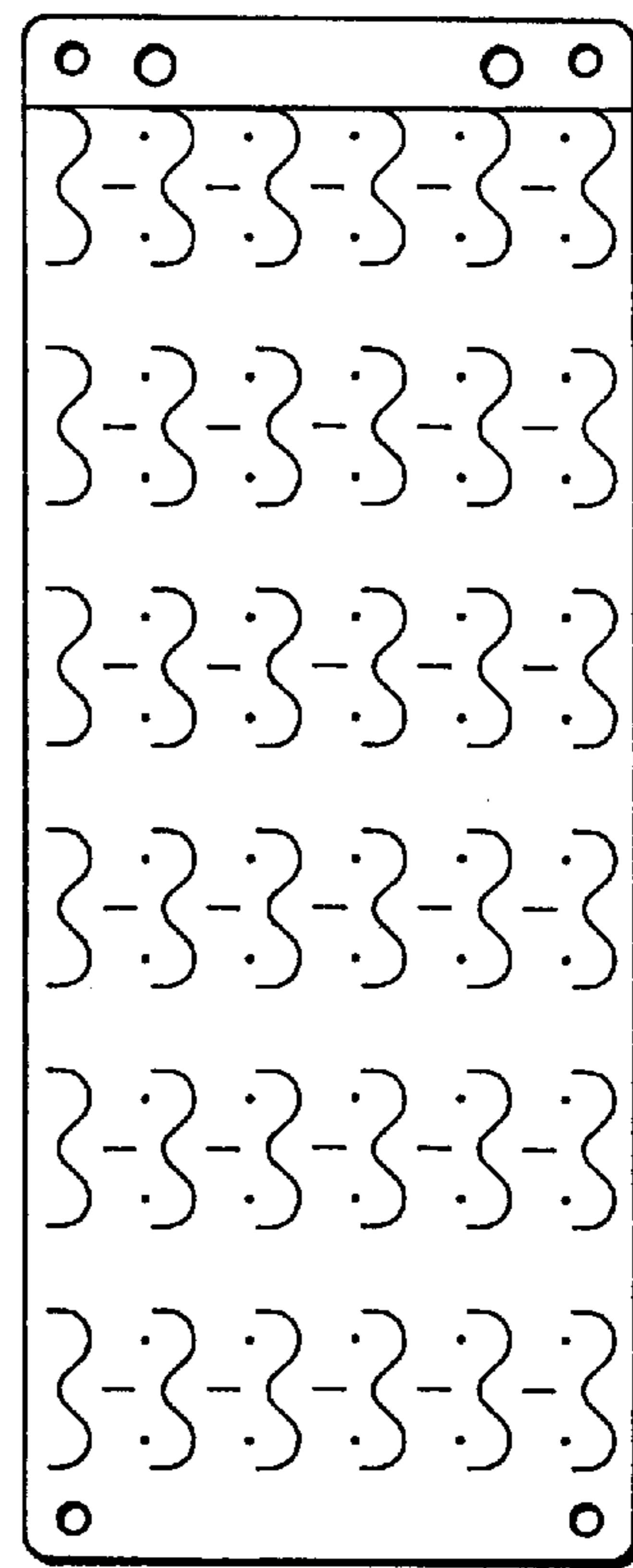
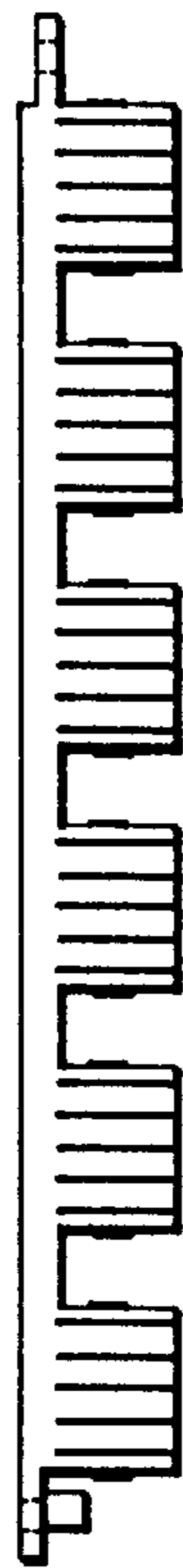
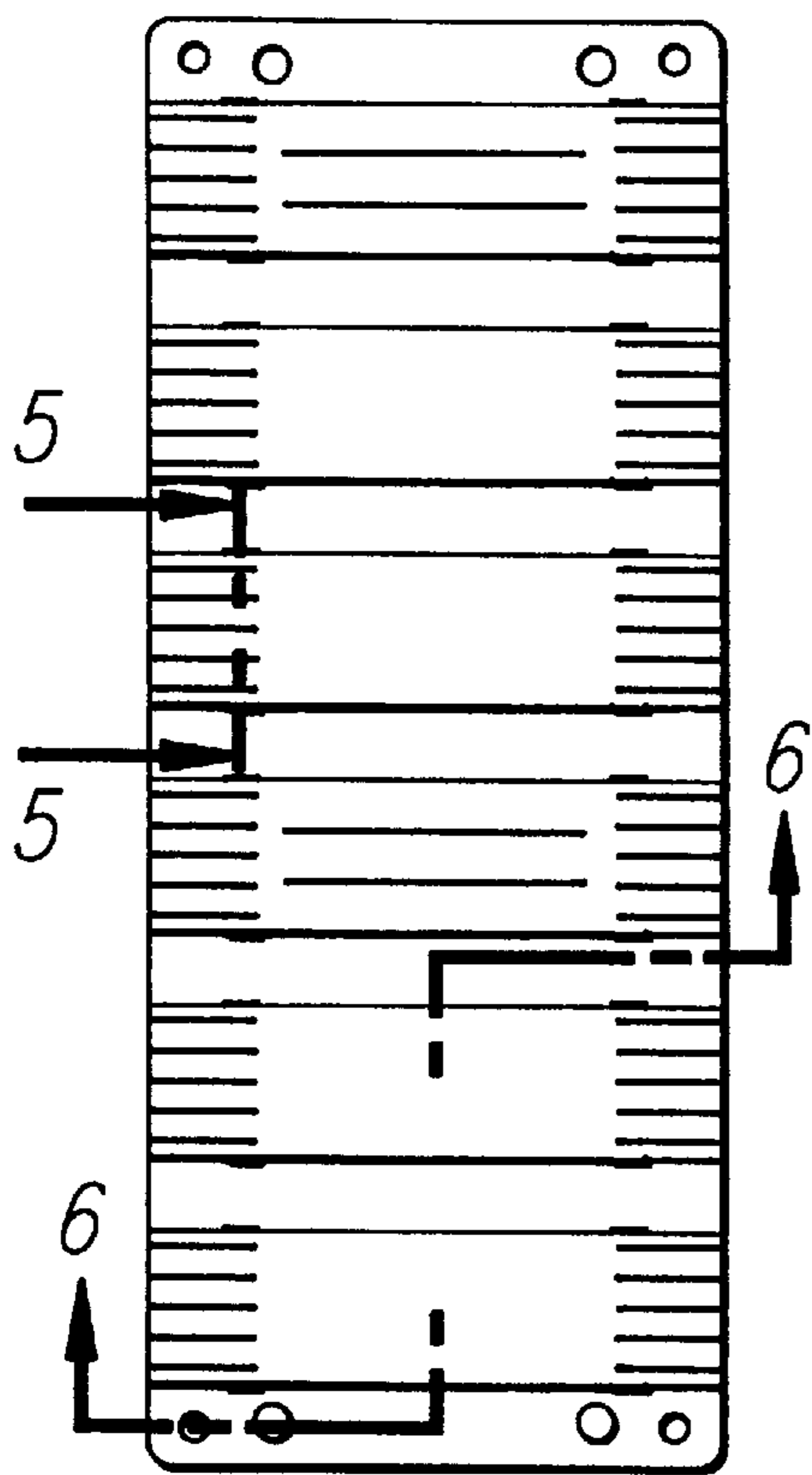


FIG. 3

FIG. 4