



US00D435104S

# United States Patent [19]

Urueta et al.

[11] Patent Number: **Des. 435,104**

[45] Date of Patent: **\*\* Dec. 12, 2000**

[54] **SELF-CLEANING HOLSTER FOR ELECTROCAUTERY TIP**

[76] Inventors: **Joshua M. Urueta**, 7010 S. Santa Clara Ave., Tucson, Ariz. 85706; **R. Wilfrido Urueta**, 3781 W. Meadow Briar Dr., Tucson, Ariz. 85741

[\*\*] Term: **14 Years**

[21] Appl. No.: **29/110,411**

[22] Filed: **Sep. 3, 1999**

[51] **LOC (7) Cl.** ..... **24-02**

[52] **U.S. Cl.** ..... **D24/144; D24/217**

[58] **Field of Search** ..... D24/144, 170, D24/128, 217, 227; 451/461; 15/160, 218.1, 218; 206/570, 571, 363

[56] **References Cited**

**U.S. PATENT DOCUMENTS**

- D. 231,031 3/1974 Hinnenkamp ..... D24/144
- D. 282,684 2/1986 Cline ..... D24/29

- 3,934,715 1/1976 Antonini et al. .... 206/570
- 4,087,878 5/1978 Grieshaber et al. .... 15/218.1
- 4,170,234 10/1979 Graham ..... 206/363
- 5,016,401 5/1991 Mangus ..... D24/217
- 5,533,618 7/1996 Pickels ..... 206/363
- 5,666,686 9/1997 Dao ..... 15/218.1

*Primary Examiner*—Ian Simmons  
*Attorney, Agent, or Firm*—Benman & Collins

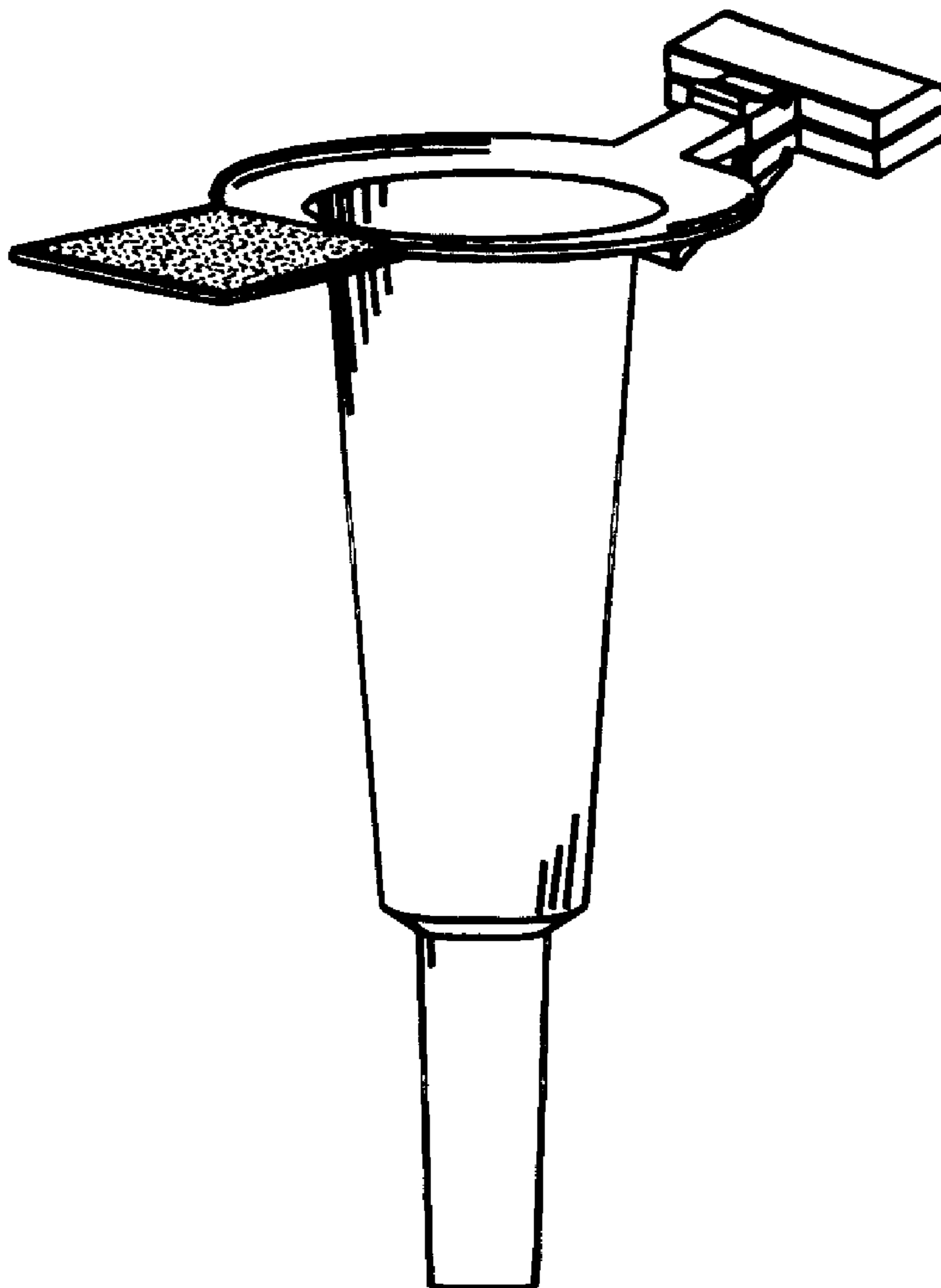
[57] **CLAIM**

The ornamental design for a self-cleaning holster for electrocautery tip, as shown and described.

**DESCRIPTION**

FIG. 1 is a perspective view of a self-cleaning holster for electrocautery tip, showing our new design;  
 FIG. 2 is a top plan view thereof;  
 FIG. 3 is a front elevational view thereof;  
 FIG. 4 is a left side elevational view thereof, the right side elevational view being a mirror image thereof;  
 FIG. 5 is a rear elevational view thereof; and,  
 FIG. 6 is a bottom plan view thereof.

**1 Claim, 1 Drawing Sheet**



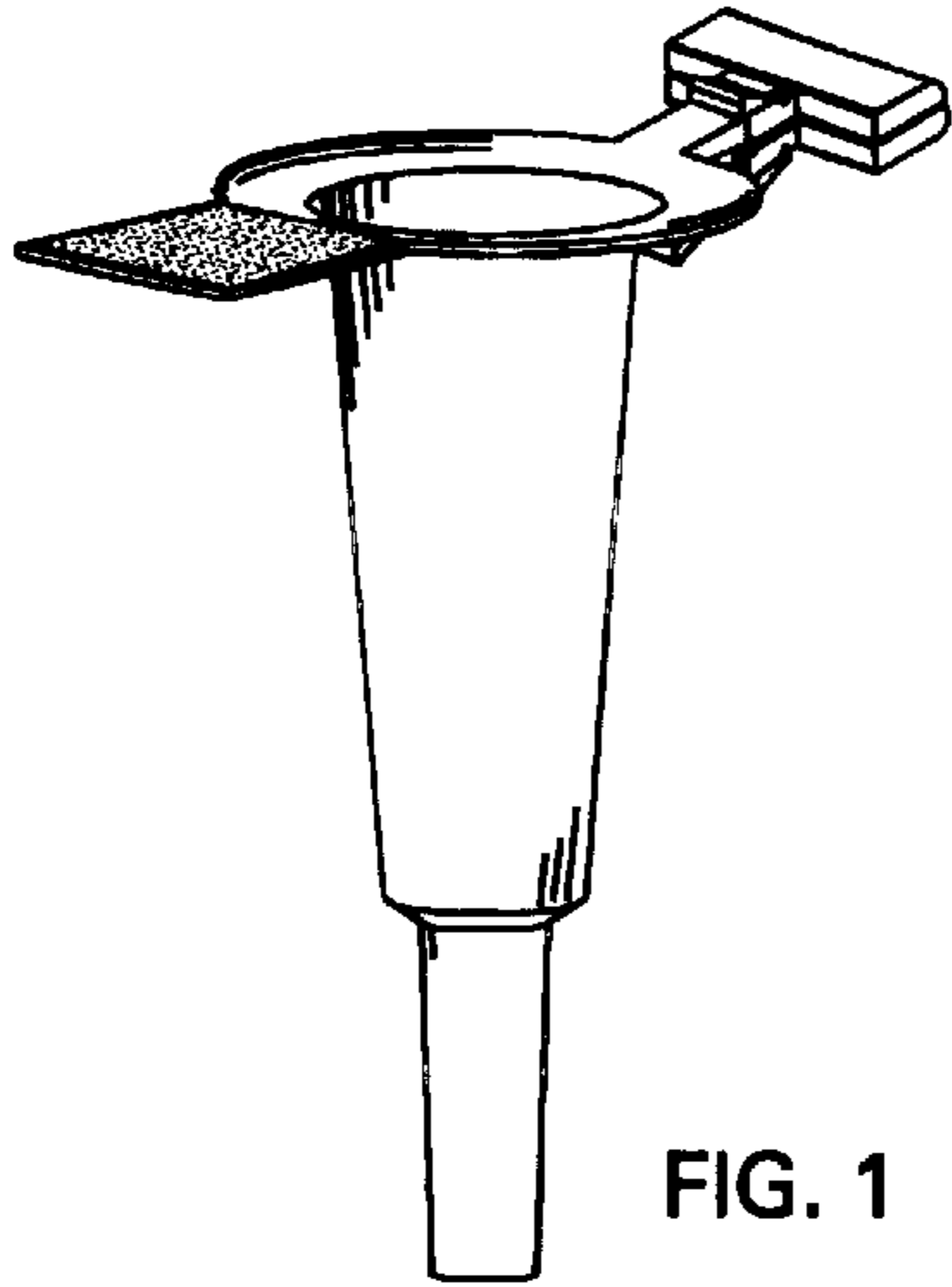


FIG. 1

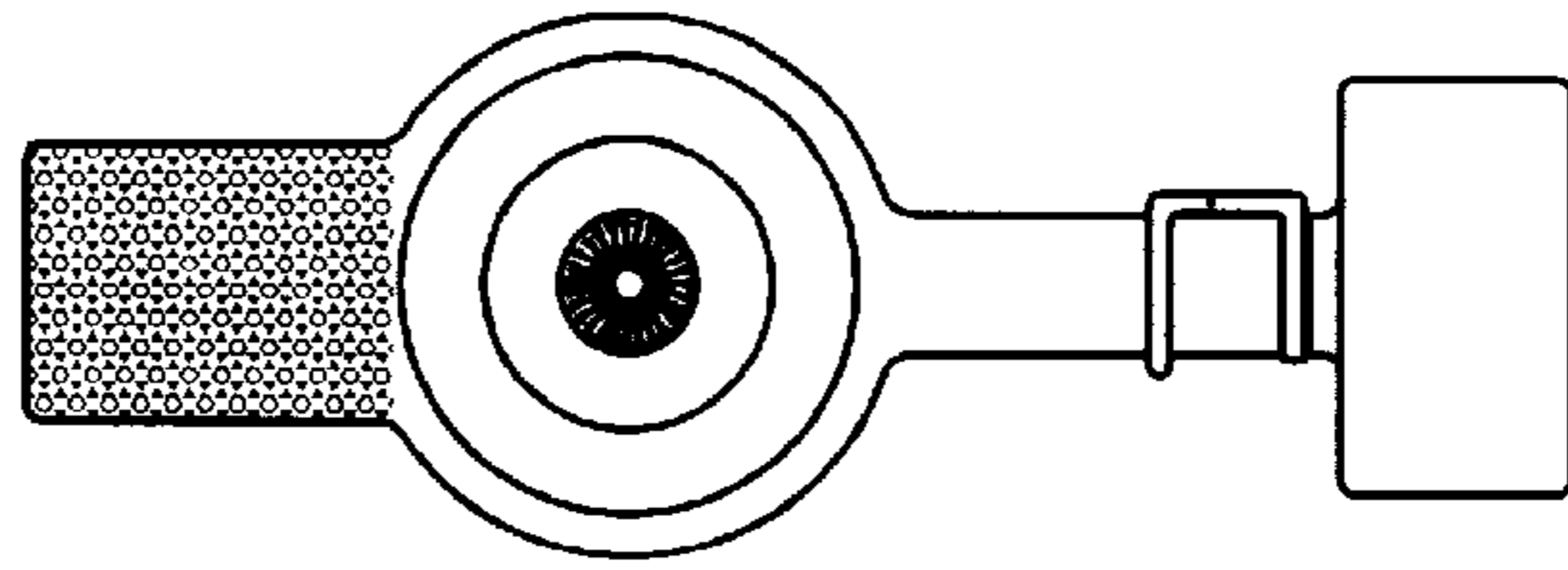


FIG. 2

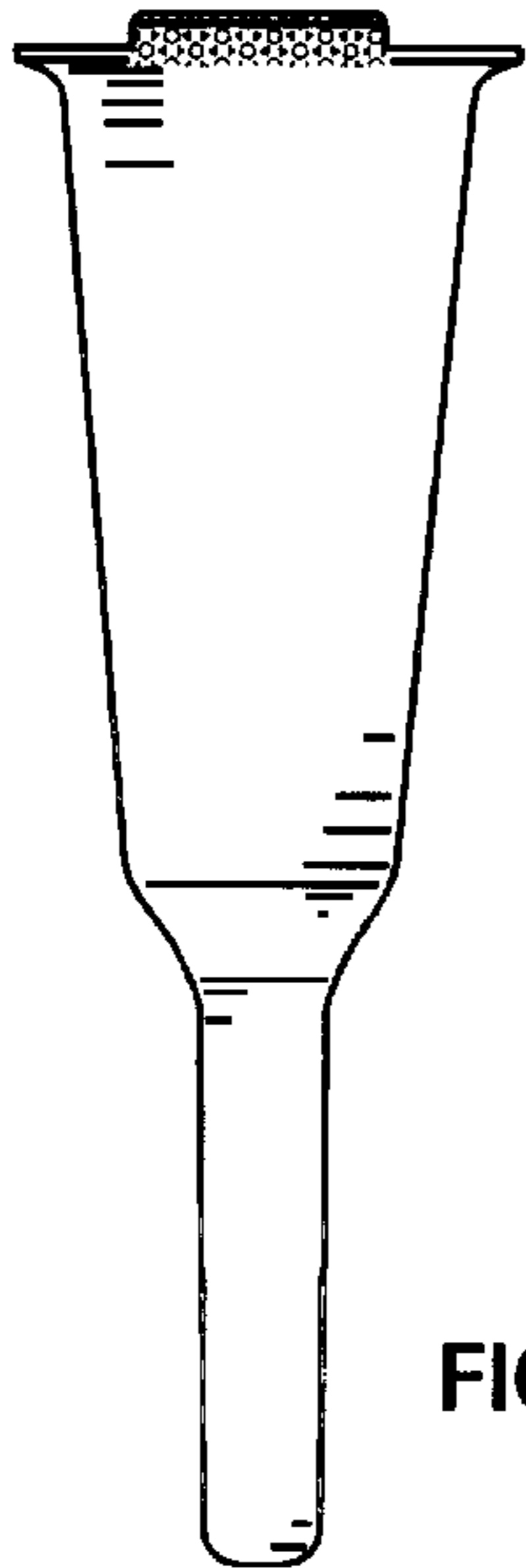


FIG. 3

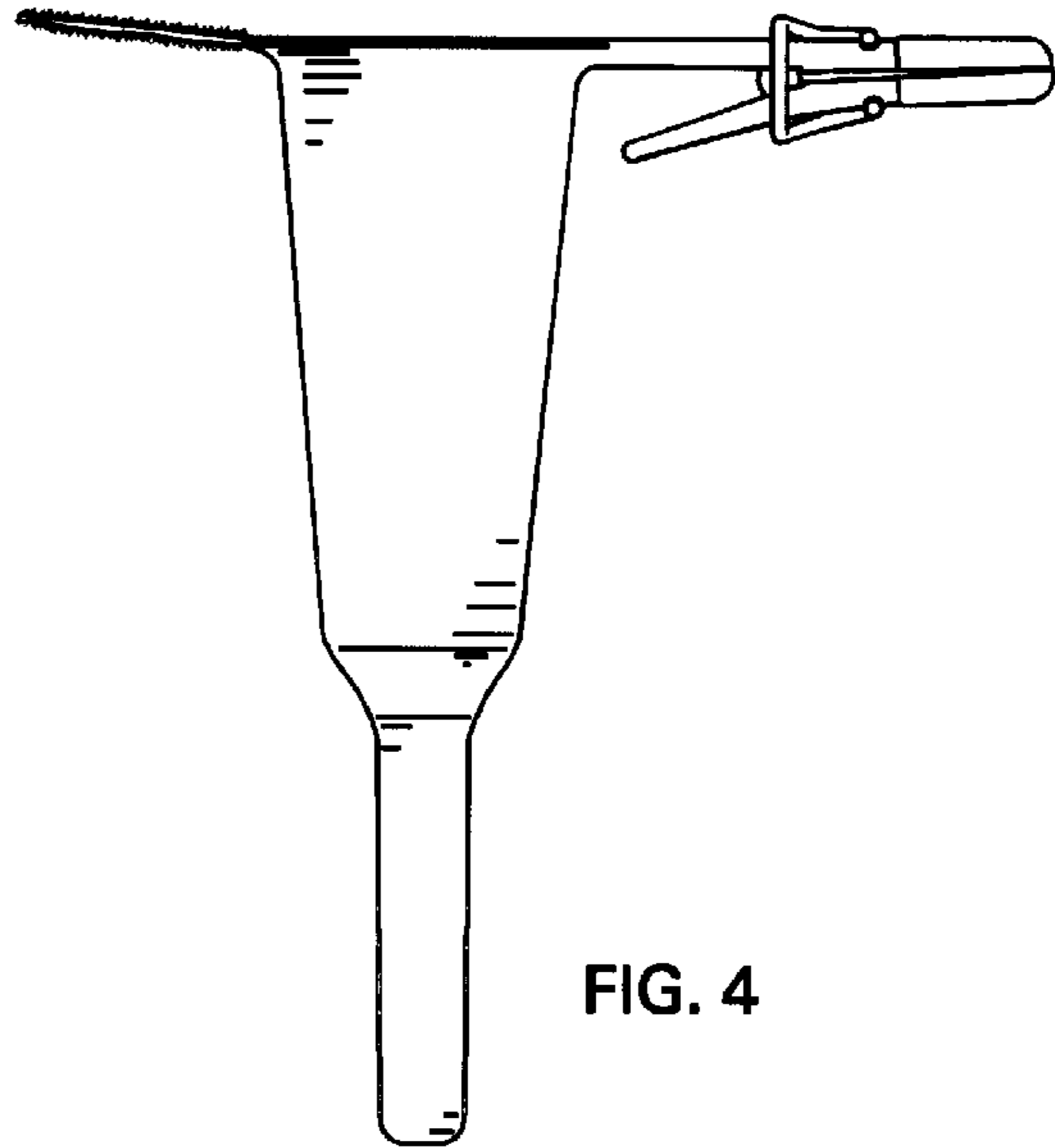


FIG. 4

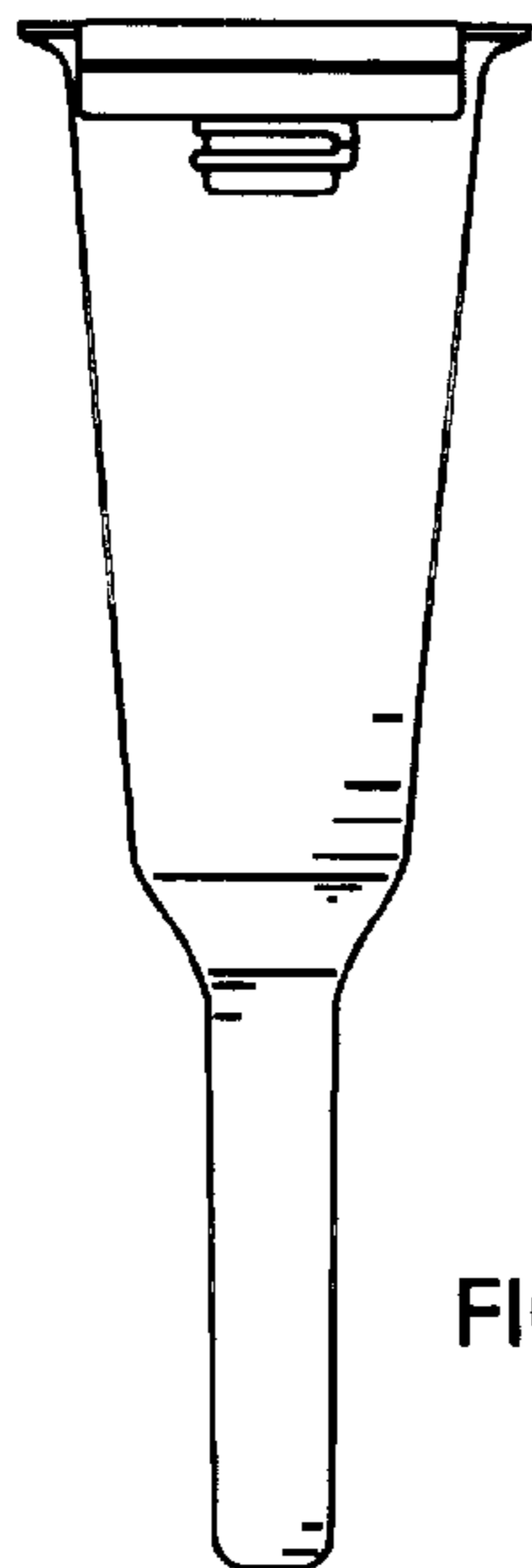


FIG. 5

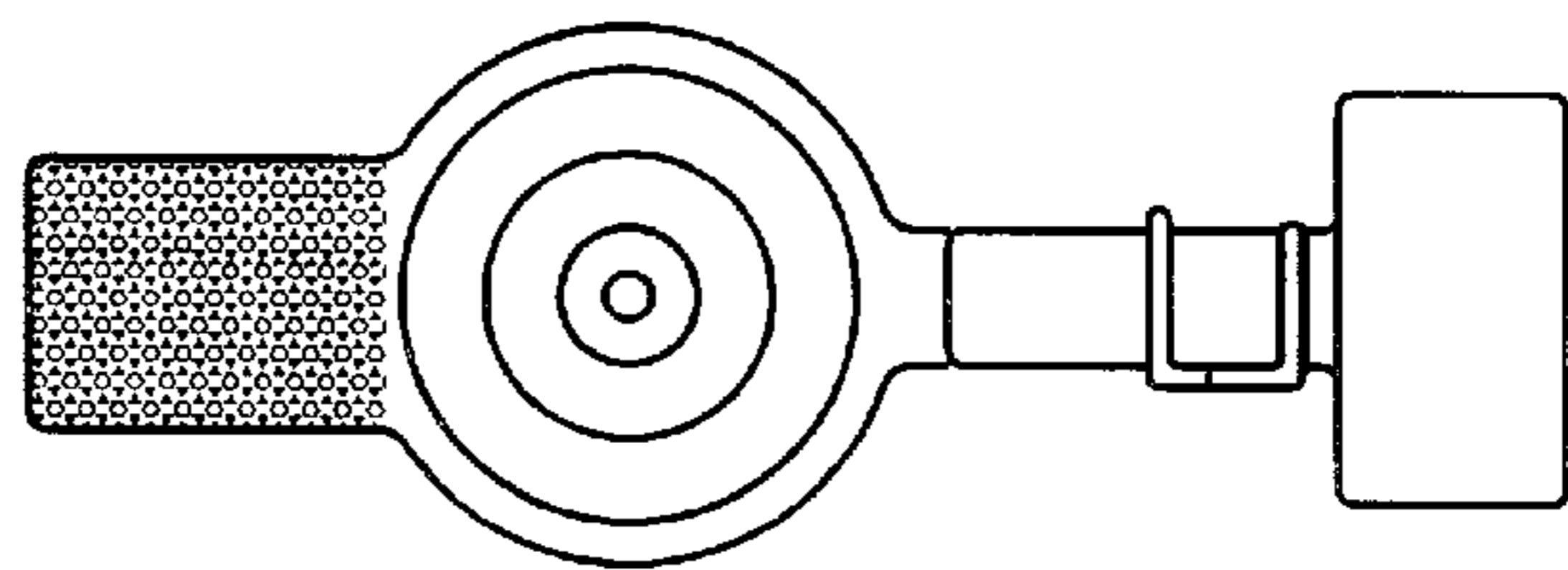


FIG. 6