



US00D435101S

United States Patent [19] Graneto, III

[11] Patent Number: **Des. 435,101**

[45] Date of Patent: **** Dec. 12, 2000**

[54] **SUCTION SWAB WITH DISTAL SUCTION PORT**

[75] Inventor: **Joseph A. Graneto, III**, St. Louis, Mo.

[73] Assignee: **Sherwood Services, AG**, Schaffhausen, Switzerland

[**] Term: **14 Years**

[21] Appl. No.: **29/104,292**

[22] Filed: **May 3, 1999**

[51] **LOC (7) Cl.** **24-01**

[52] **U.S. Cl.** **D24/108; D24/112; D24/119; D24/129**

[58] **Field of Search** **D24/119, 112, D24/108, 124, 176; 433/91, 95; 604/902, 119, 118, 1**

[56] **References Cited**

U.S. PATENT DOCUMENTS

- D. 269,917 7/1983 Spann D32/51
- D. 332,658 1/1993 Thompson D24/119

- D. 352,998 11/1994 Hanifl D24/108
- 3,807,401 4/1974 Riggle et al. 604/902
- 4,966,584 10/1990 Nguyen 604/119
- 5,496,268 3/1996 Perla 604/118
- 5,975,897 11/1999 Propp et al. 433/91

Primary Examiner—Ian Simmons
Attorney, Agent, or Firm—Kevin L. Klug

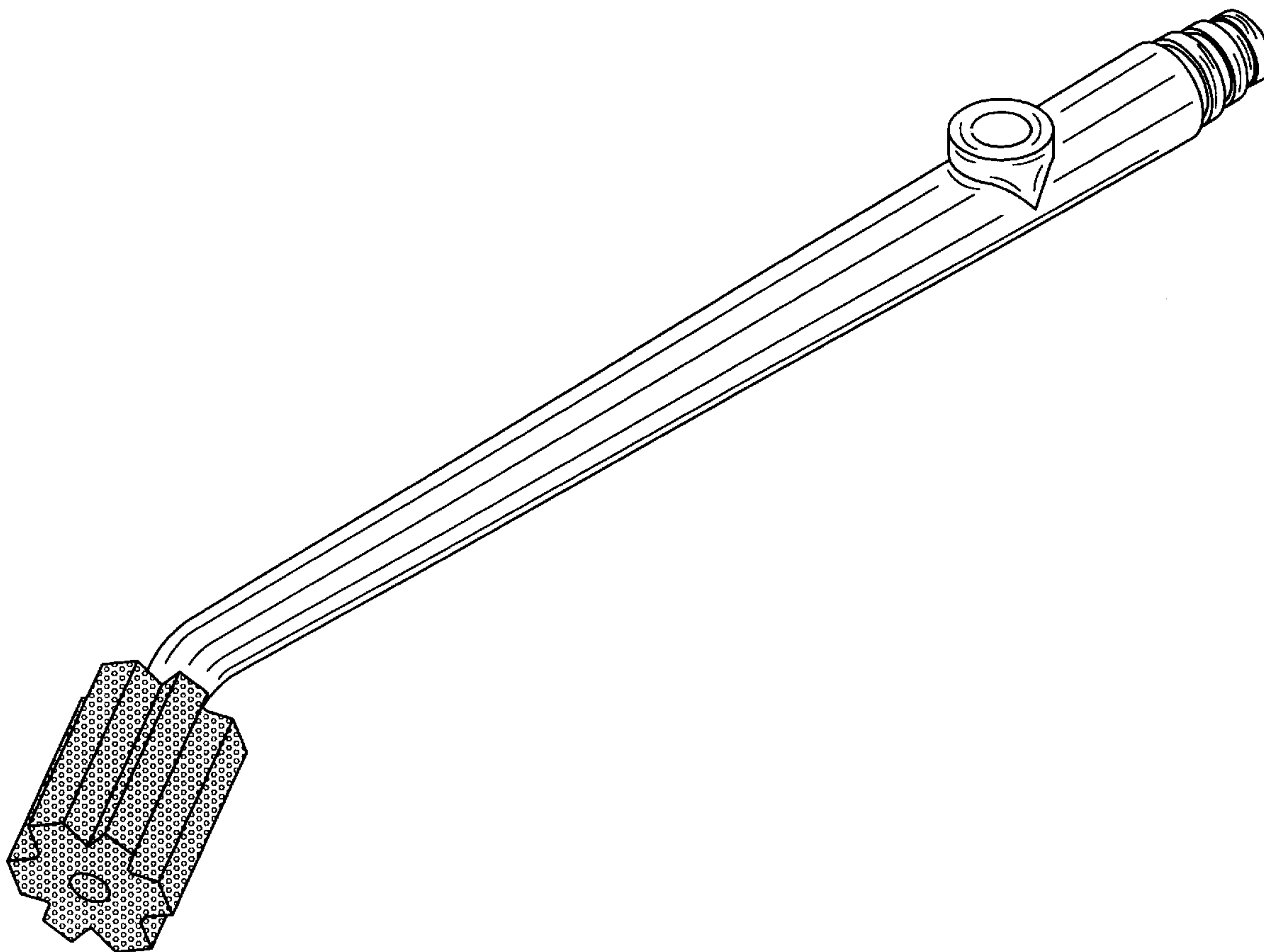
[57] **CLAIM**

The ornamental design for a suction swab with distal suction port, as shown and described.

DESCRIPTION

FIG. 1 is a top, front perspective view of a suction swab with distal suction port showing my new design;
 FIG. 2 is a top plan view thereof;
 FIG. 3 is a bottom plan view thereof;
 FIG. 4 is a right elevation view thereof which is symmetric with a left elevation view;
 FIG. 5 is a front end elevation view thereof;
 FIG. 6 is a rear end elevation view thereof; and,
 FIG. 7 is a bottom elevation view thereof as seen looking into the front distal suction port.

1 Claim, 5 Drawing Sheets



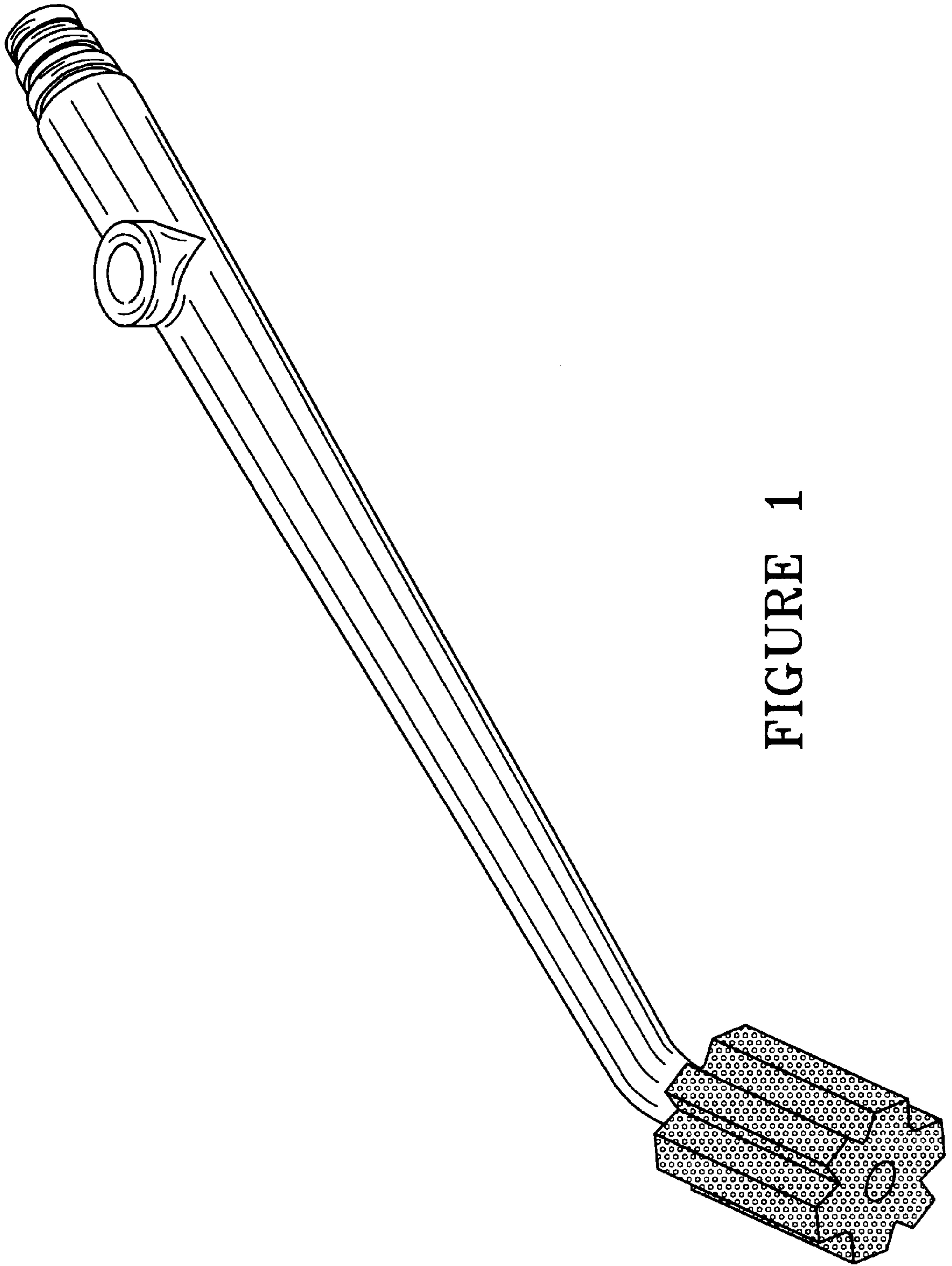


FIGURE 1

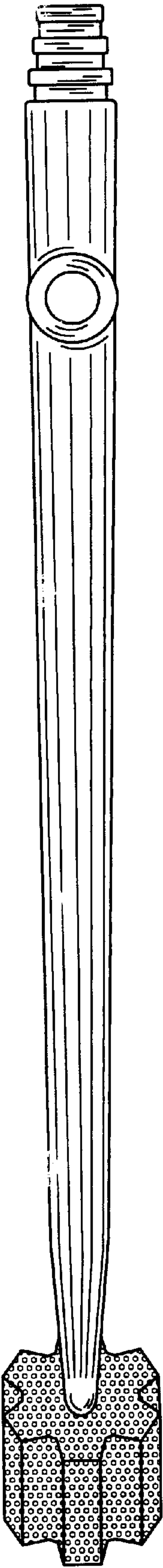


FIGURE 2

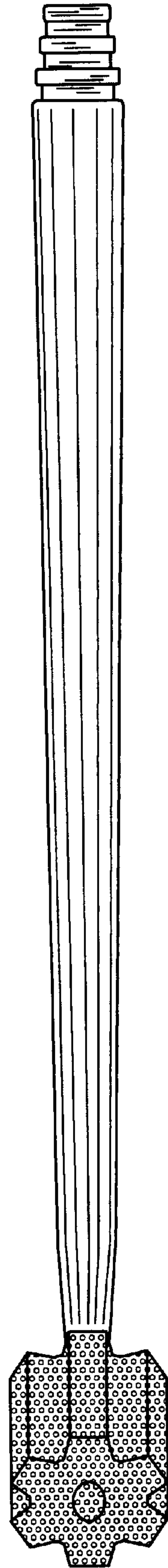


FIGURE 3

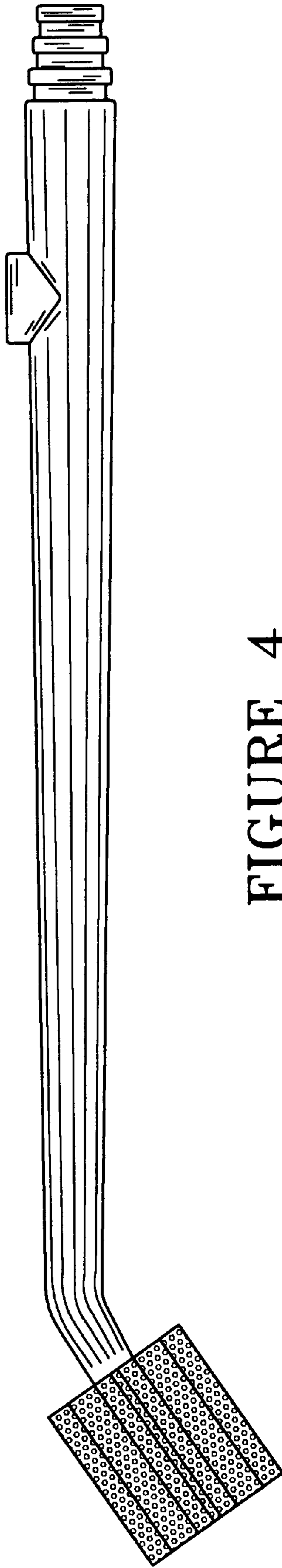


FIGURE 4

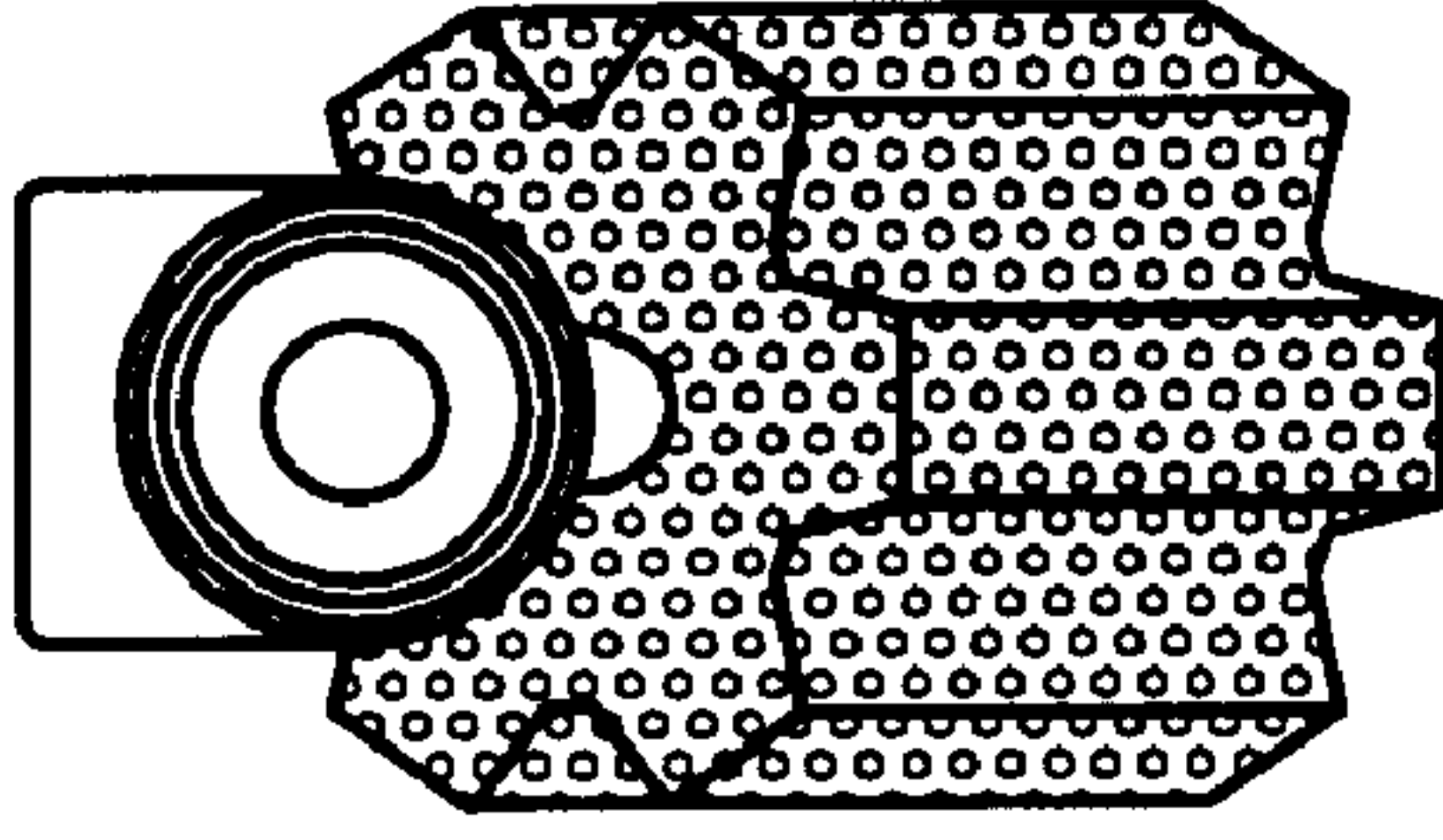


FIGURE 6

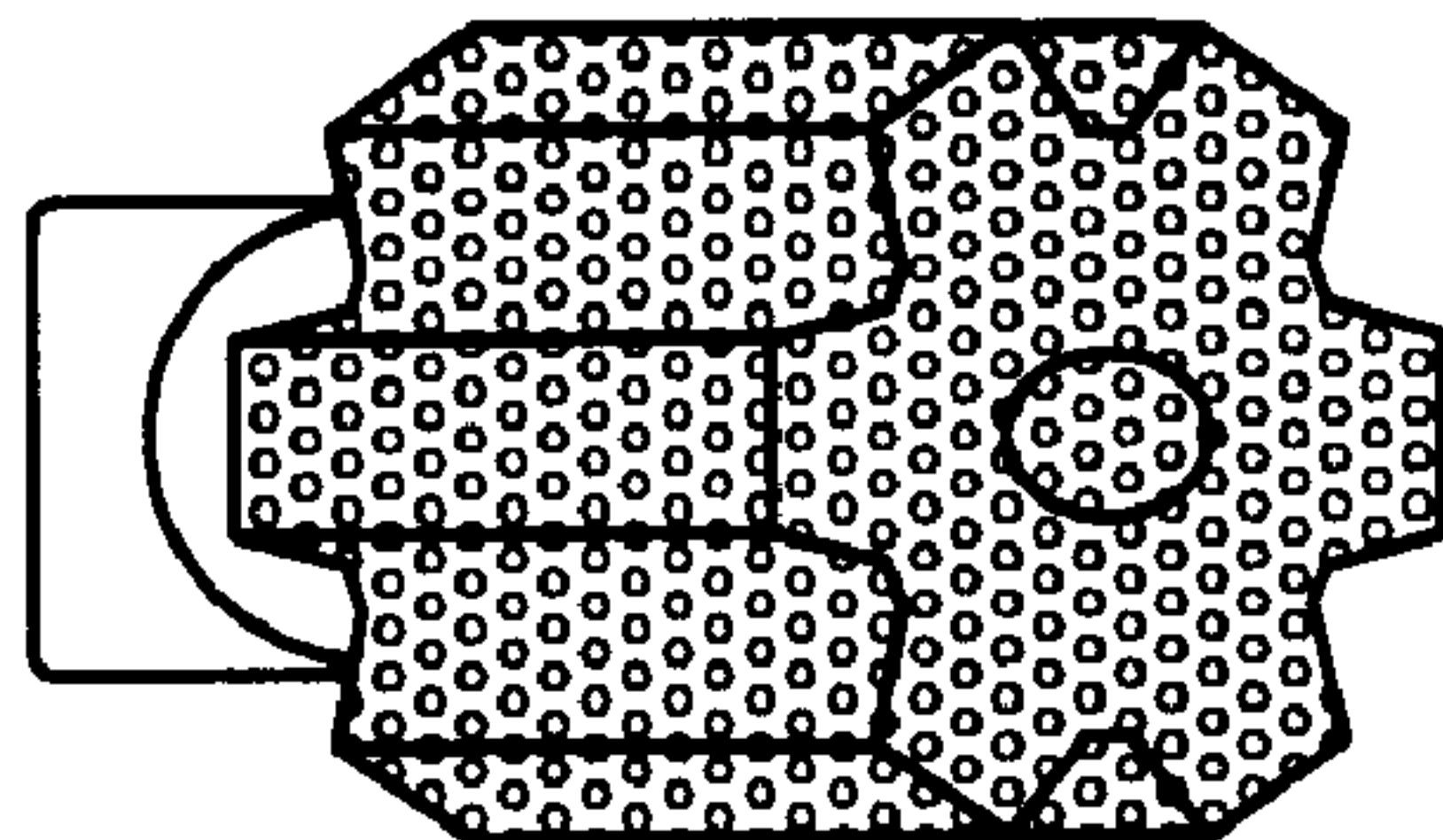


FIGURE 5

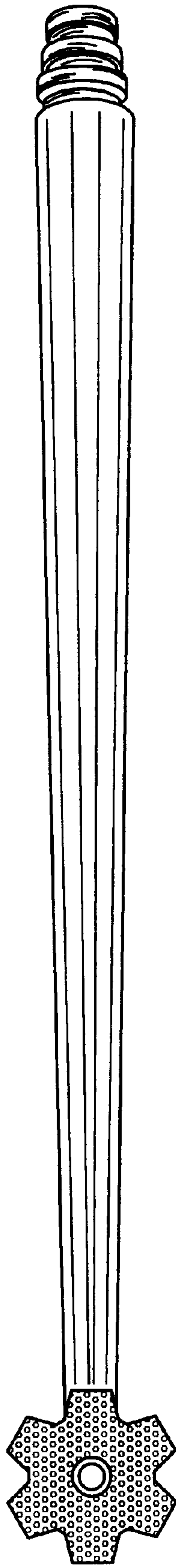


FIGURE 7