



US00D435094S

United States Patent [19]

Bucher

[11] **Patent Number: Des. 435,094**

[45] **Date of Patent: ** Dec. 12, 2000**

[54] **HEATER FOR USE WITH A CEILING FAN**

[75] Inventor: **John C. Bucher**, Ft. Lauderdale, Fla.

[73] Assignee: **Chien Luen Industries Co., Ltd.**,
Taiwan

[**] Term: **14 Years**

[21] Appl. No.: **29/120,115**

[22] Filed: **Mar. 14, 2000**

[51] **LOC (7) Cl.** **23-04**

[52] **U.S. Cl.** **D23/336; D23/411**

[58] **Field of Search** **D23/336, 411,**
D23/377, 379, 385; 416/5, 93 R, 95; 392/360,
361, 364; 165/122, 124

[56] **References Cited**

U.S. PATENT DOCUMENTS

D. 404,123 1/1999 Pelonis D23/336

Primary Examiner—Lisa Lichtenstein
Attorney, Agent, or Firm—Harness, Dickey & Pierce, P.L.C.

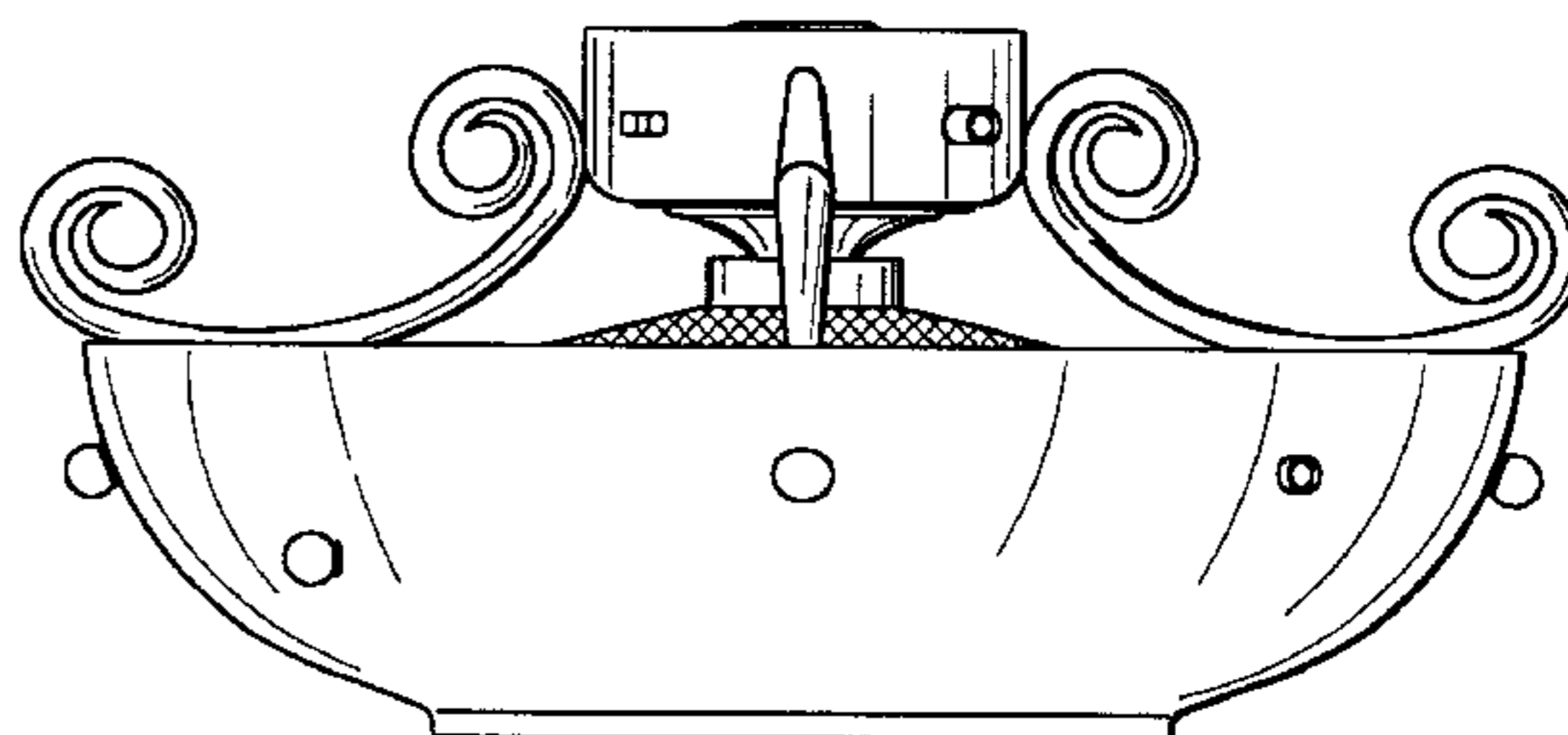
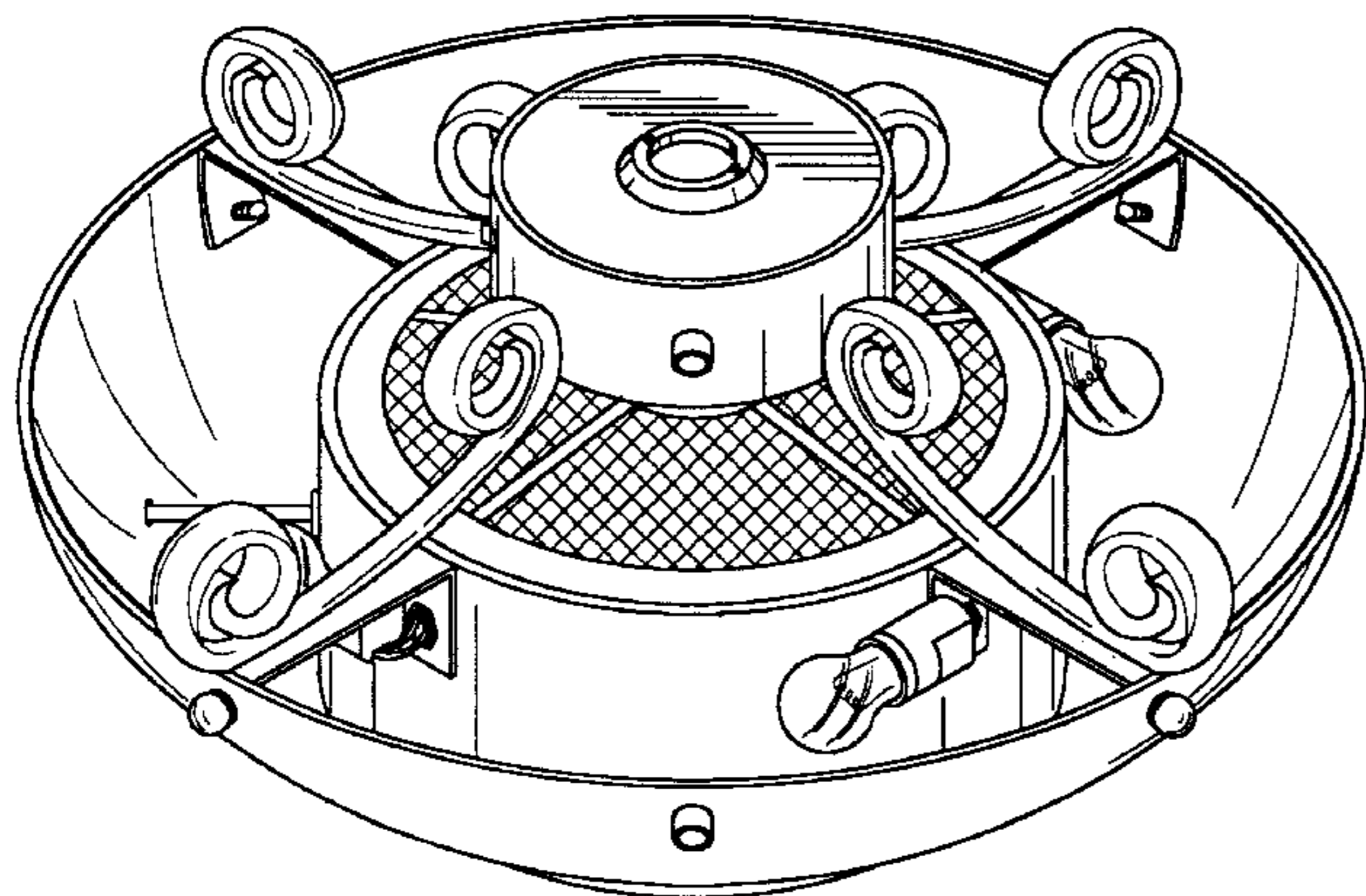
[57] **CLAIM**

The ornamental design for a heater for use with a ceiling fan, as shown and described.

DESCRIPTION

FIG. 1 is a perspective view of a heater for use with a ceiling fan showing my new design;
FIG. 2 is a front elevational view thereof;
FIG. 3 is a rear elevational view thereof;
FIG. 4 is a left side elevational view thereof;
FIG. 5 is a right side elevational view thereof;
FIG. 6 is a top plan view thereof;
FIG. 7 is a bottom plan view thereof; and,
FIG. 8 is another perspective view thereof in use.
The broken-line showing of environmental structure in FIG. 8 is for illustrative purposes only and forms no part of the claimed design.

1 Claim, 5 Drawing Sheets



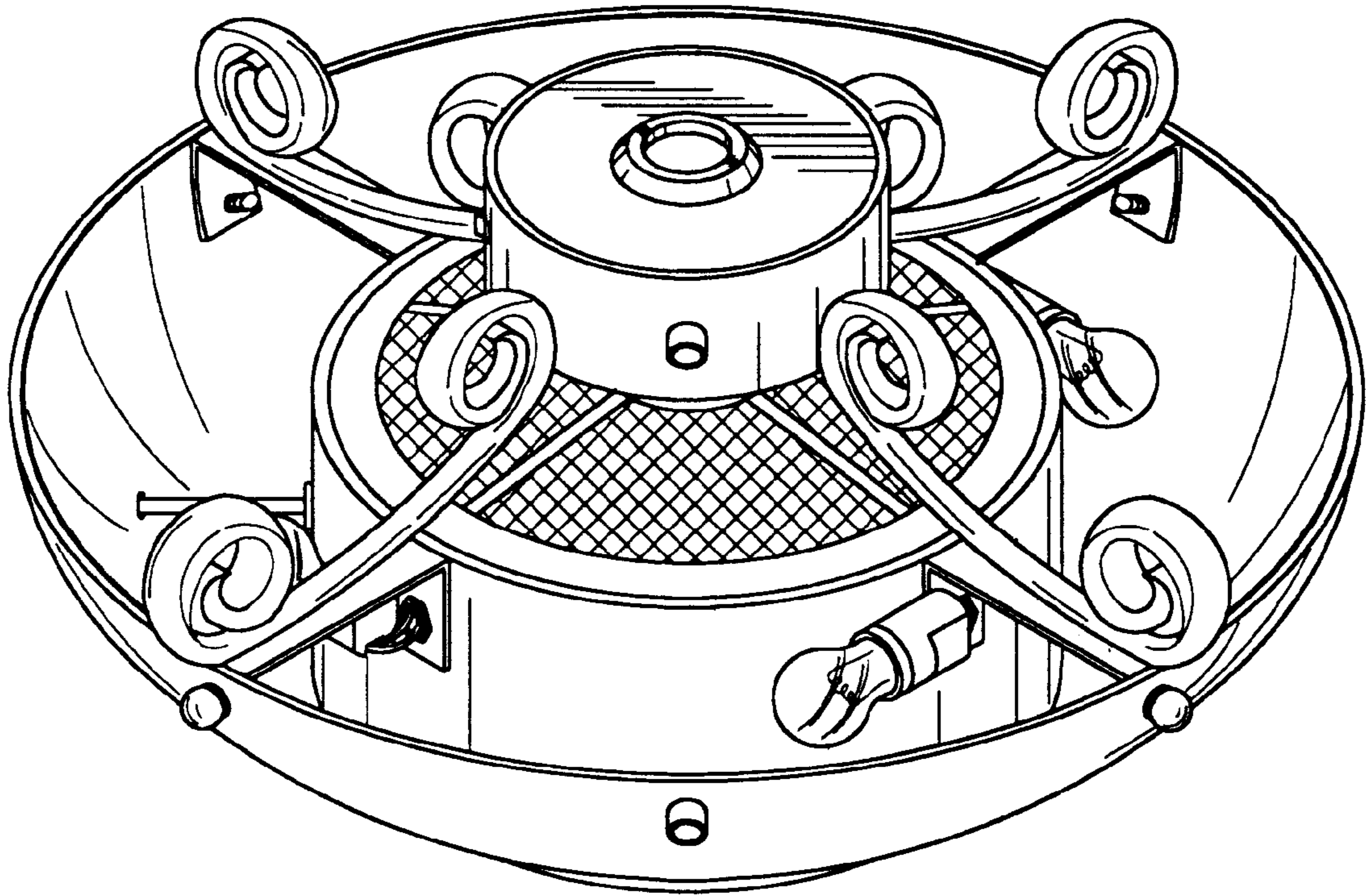


FIG. 1

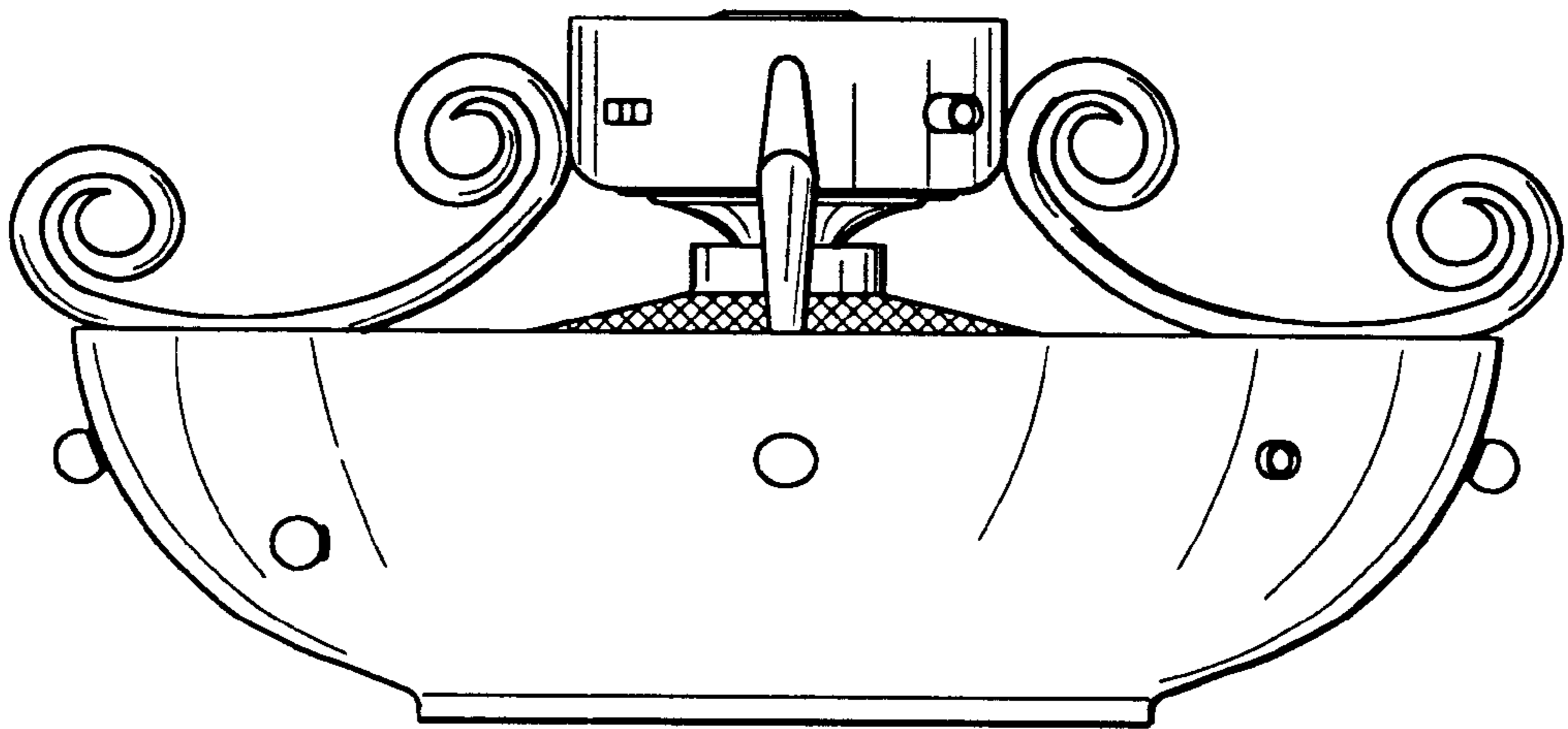


FIG. 2

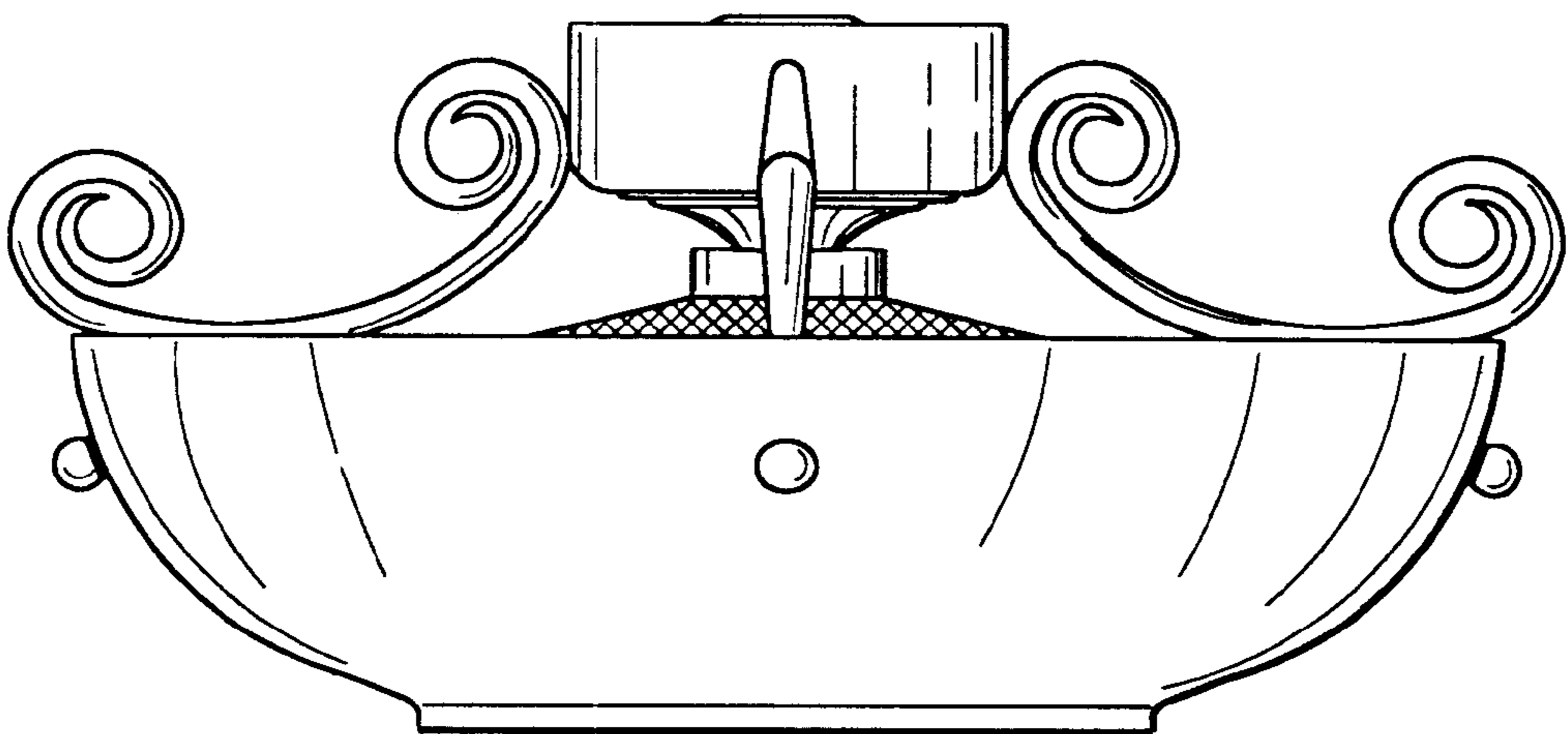


FIG. 3

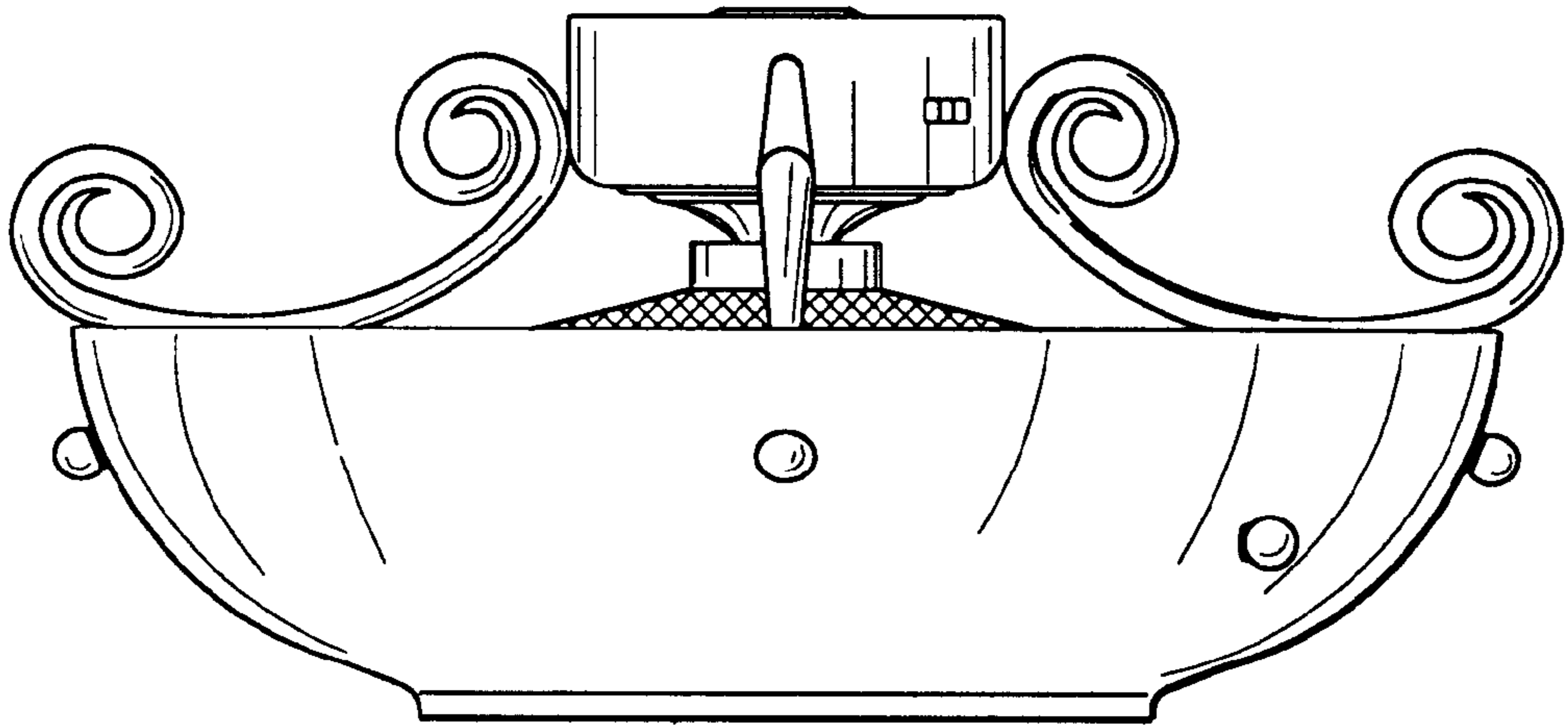


FIG. 4

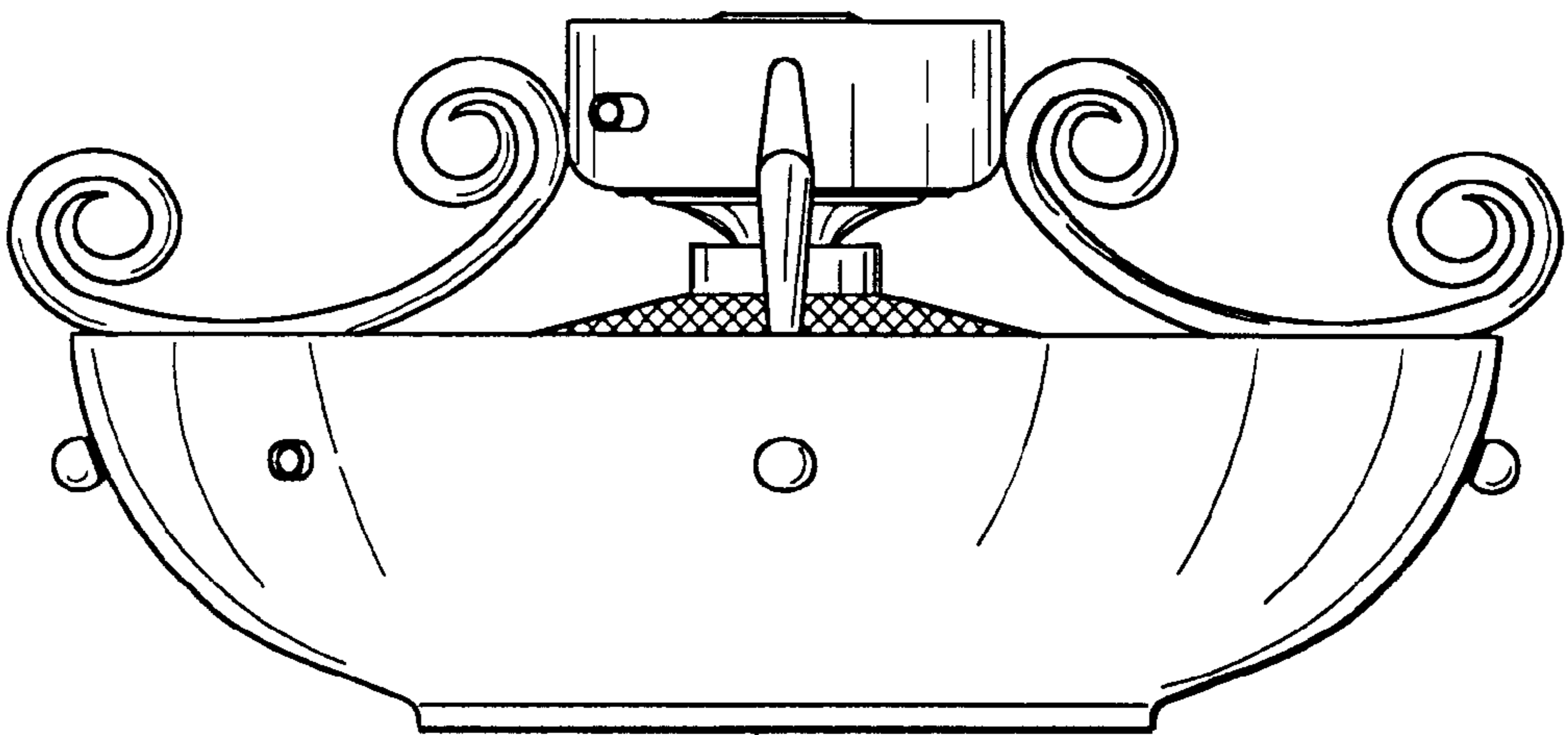


FIG. 5

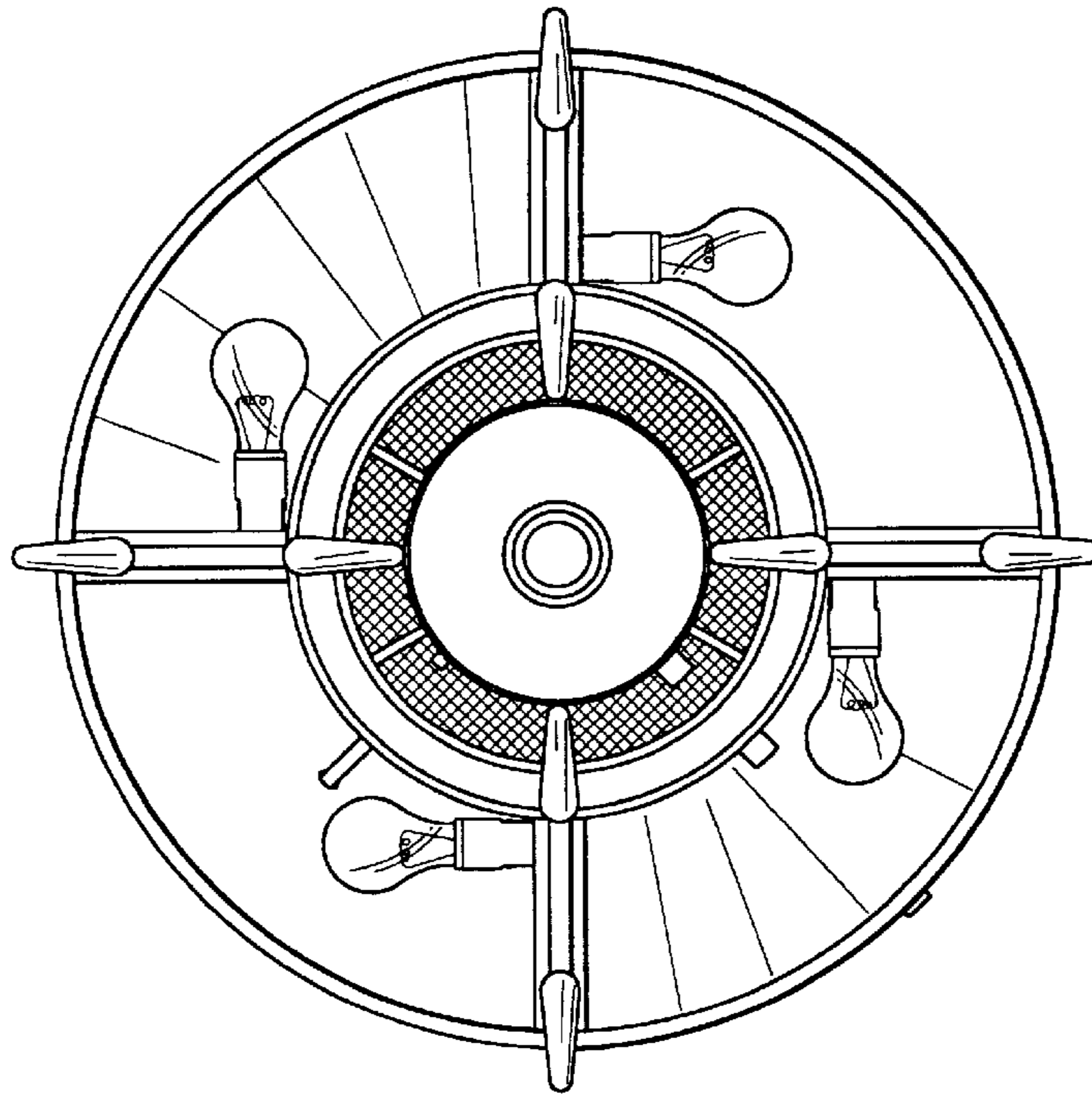


FIG. 6

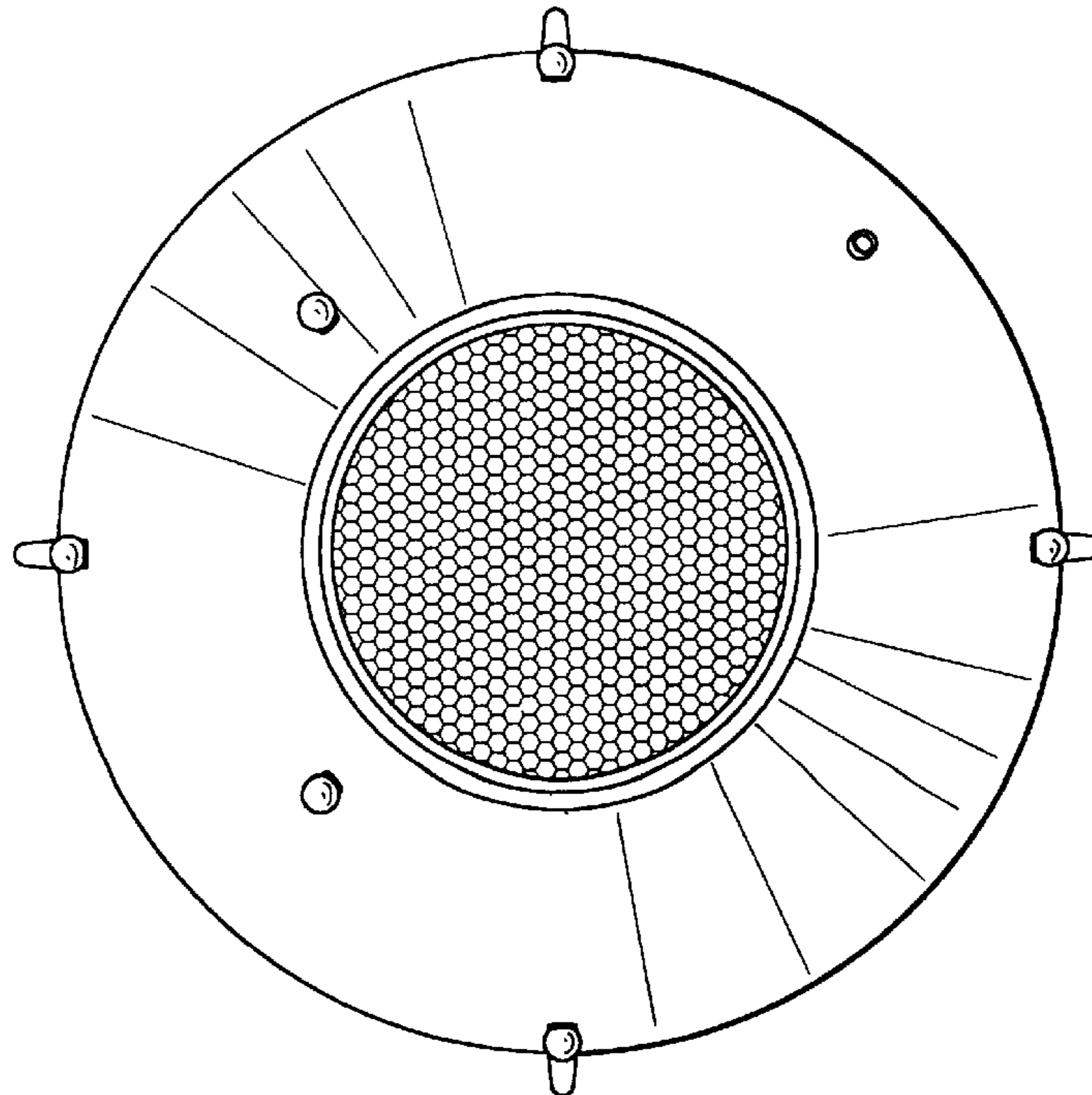


FIG. 7

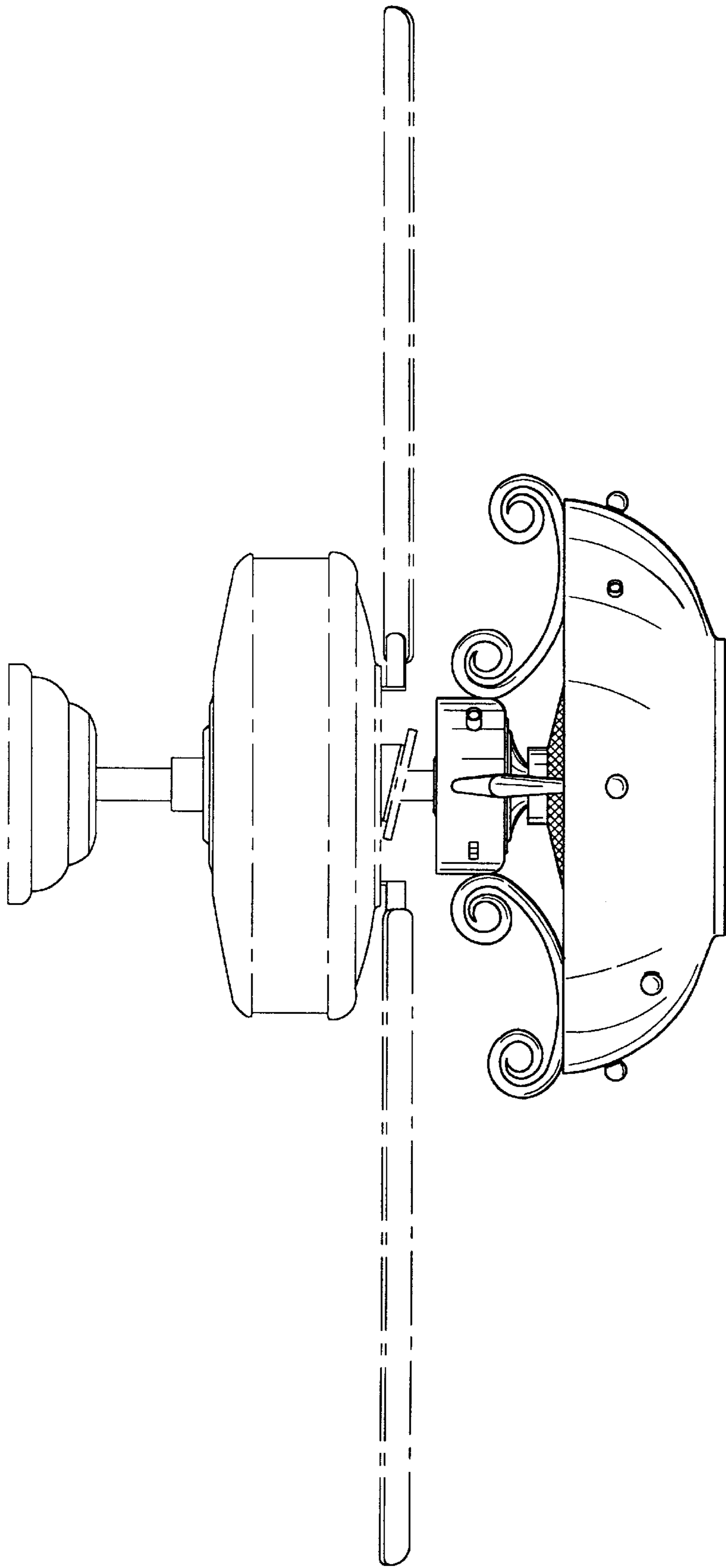


FIG. 8