



US00D435091S

United States Patent [19]
Miller

[11] **Patent Number: Des. 435,091**

[45] **Date of Patent: ** Dec. 12, 2000**

[54] **TOILET COVER**

[76] Inventor: **Nida A Miller**, 6013 SE. 10th St.,
Midwest City, Okla. 73110

[**] Term: **14 Years**

[21] Appl. No.: **29/120,721**

[22] Filed: **Mar. 24, 2000**

[51] **LOC (7) Cl.** **23-02**

[52] **U.S. Cl.** **D23/311**

[58] **Field of Search** D23/303, 311,
D23/307; 4/245.1, 245.5, 245.7, 245.8,
245.3

[56] **References Cited**

U.S. PATENT DOCUMENTS

D. 320,069	9/1991	Rossiter	D23/311
5,144,698	9/1992	McKenzie	4/245.5
5,619,757	4/1997	Baratta	D23/311

Primary Examiner—Doris Clark

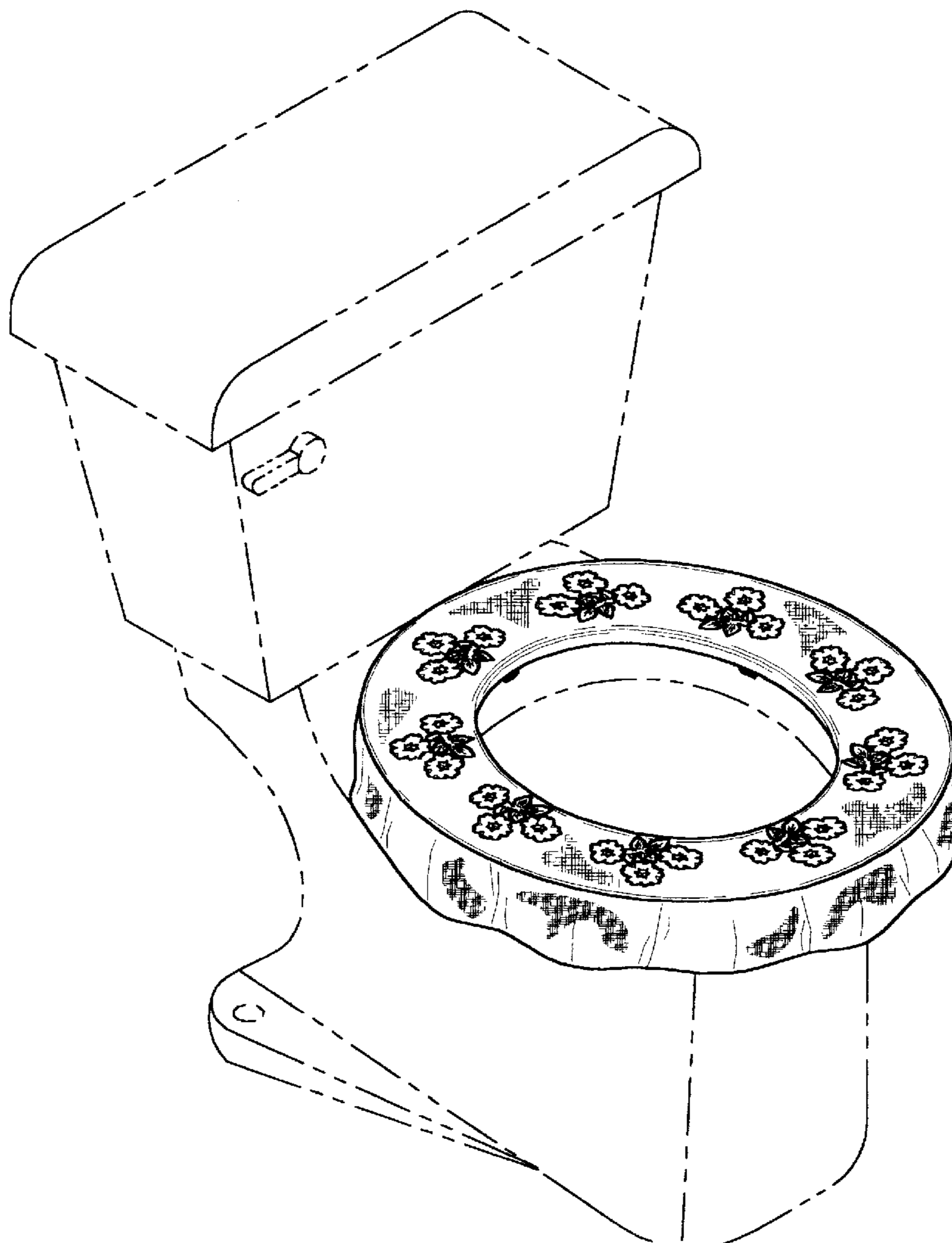
[57] **CLAIM**

The ornamental design for a toilet cover, as shown and described.

DESCRIPTION

FIG. 1 is a bottom, front, left side perspective view of the toilet cover of the present invention; FIG. 2 is a front elevational view of the toilet cover of FIG. 1; FIG. 3 is a rear elevational view of the toilet cover of FIG. 1; FIG. 4 is a left side elevational view of the toilet cover of FIG. 1; FIG. 5 is a right side elevational view of the toilet cover of FIG. 1; FIG. 6 is a top plan view of the toilet cover of FIG. 1; and, FIG. 7 is a bottom plan view of the toilet cover of FIG. 1. The broken lines showing of a toilet in FIG. 1 is for illustrative purposes only and form no part of the claimed design.

1 Claim, 3 Drawing Sheets



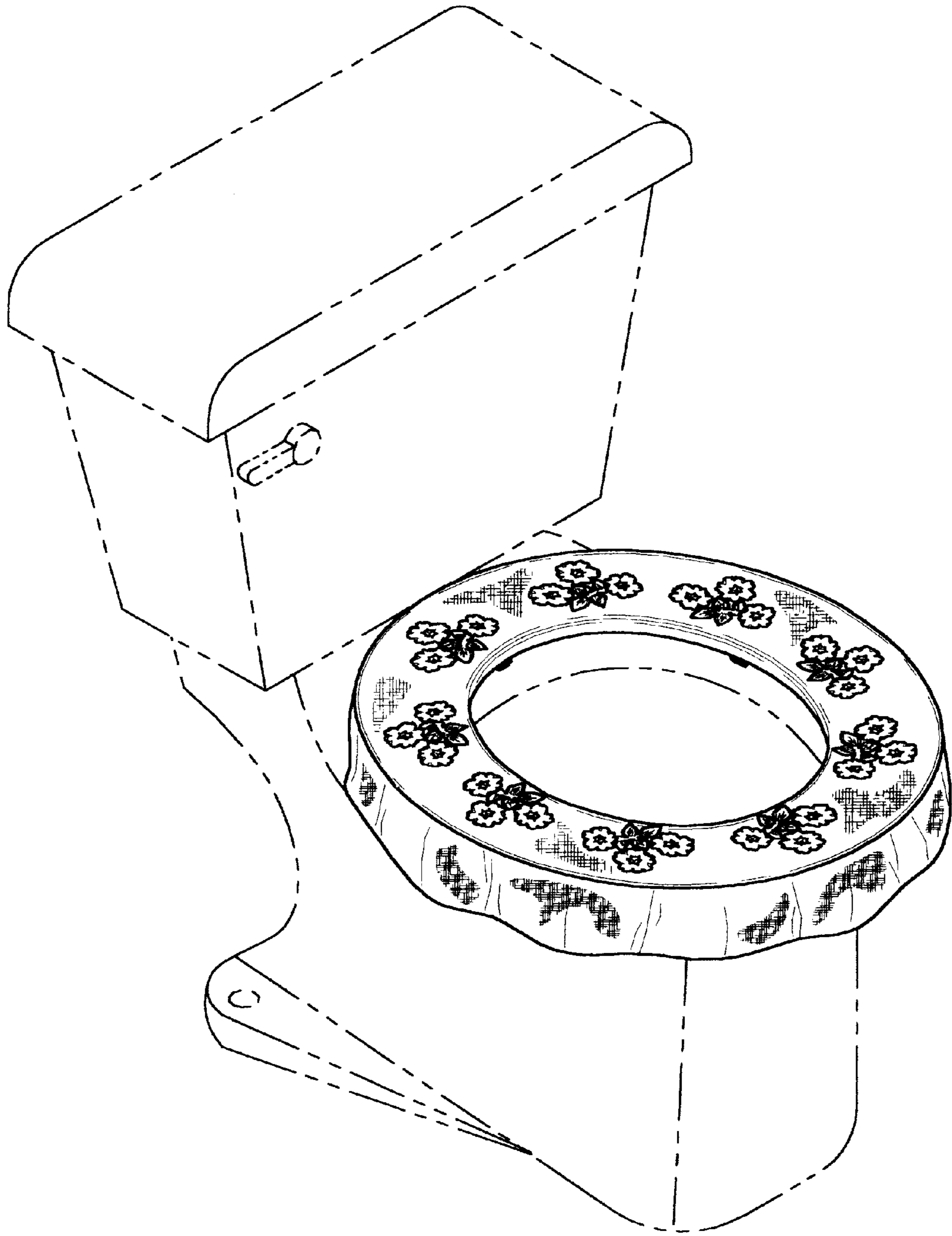


Fig. 1

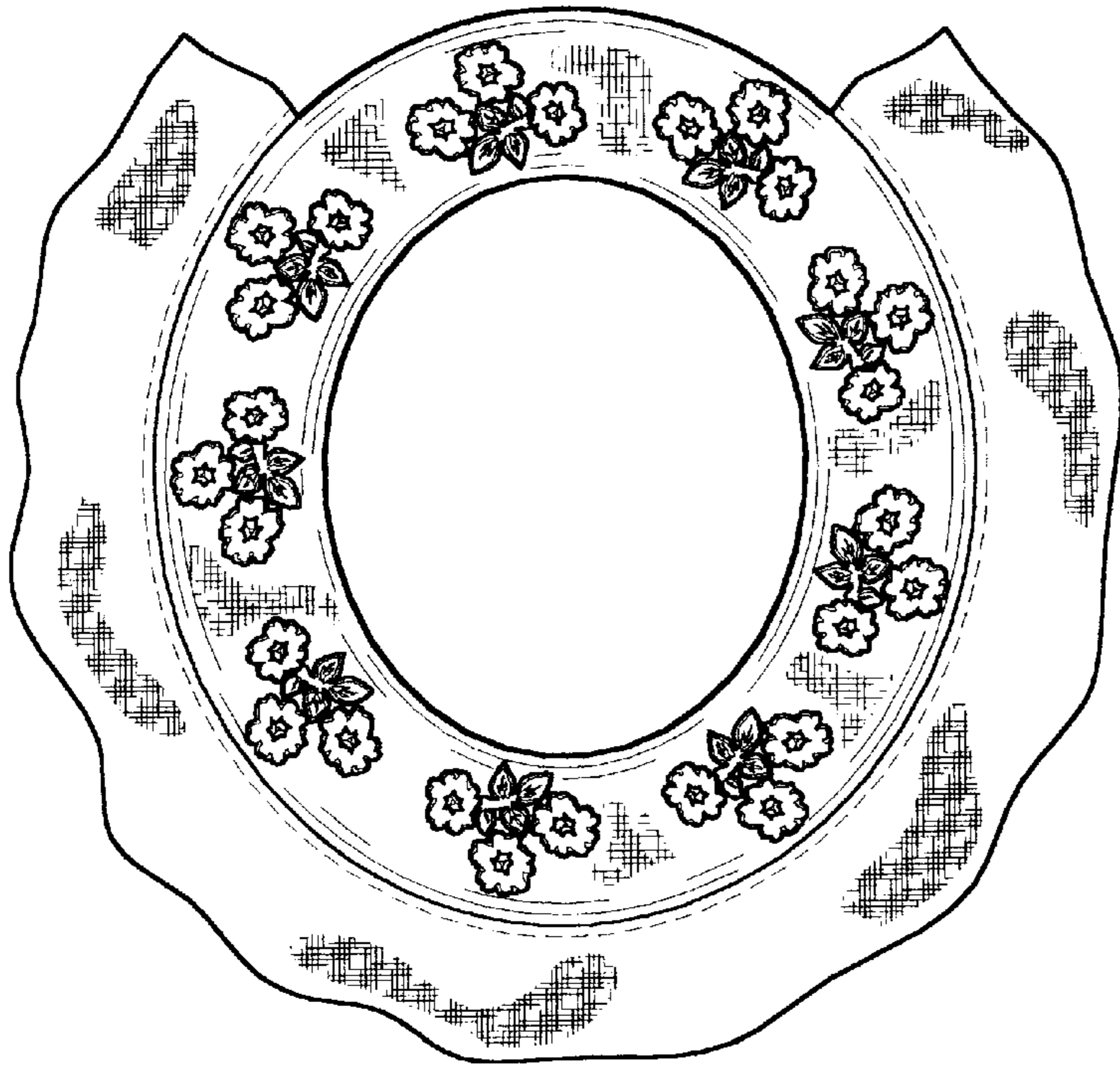


Fig. 2

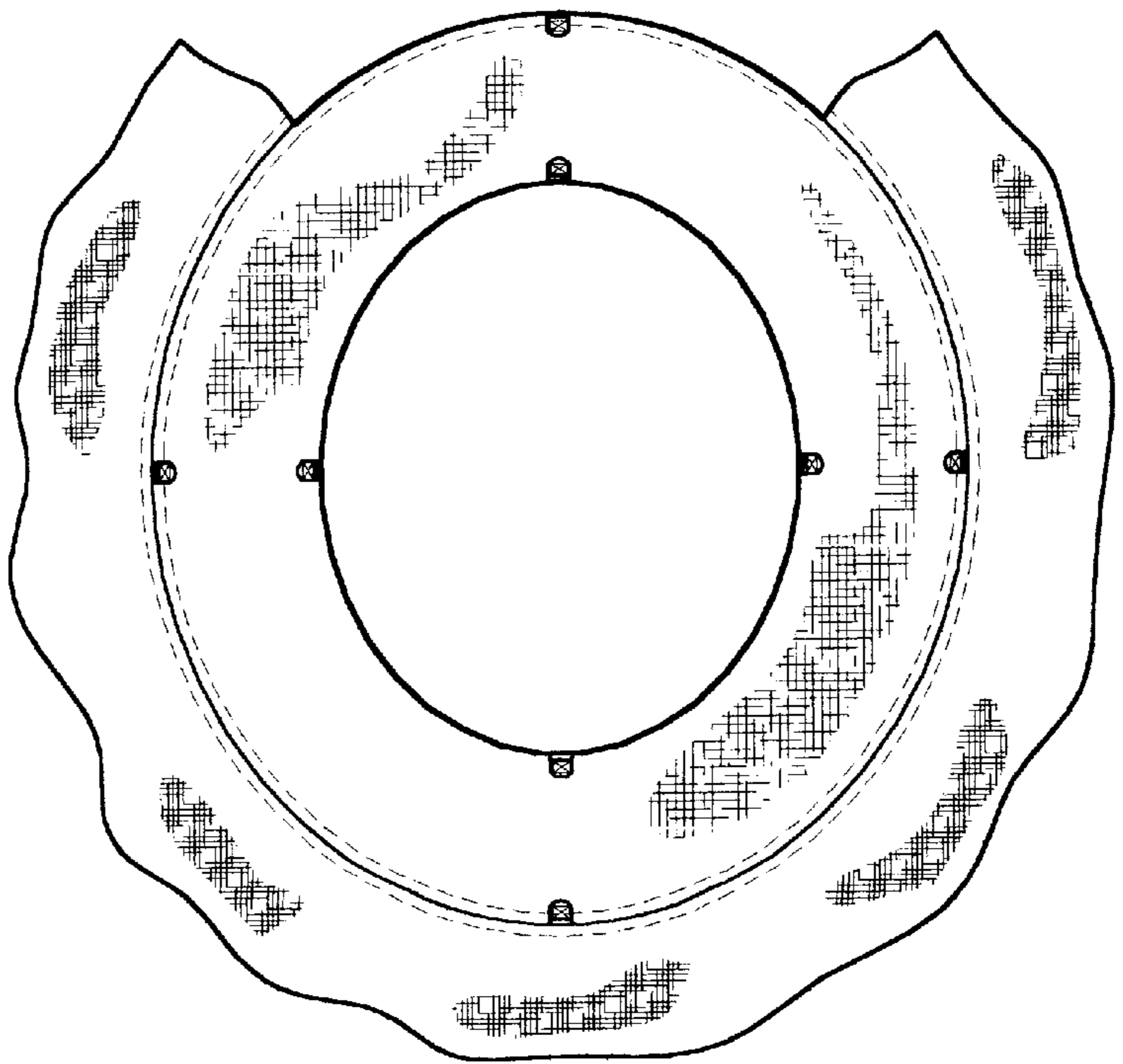


Fig. 3

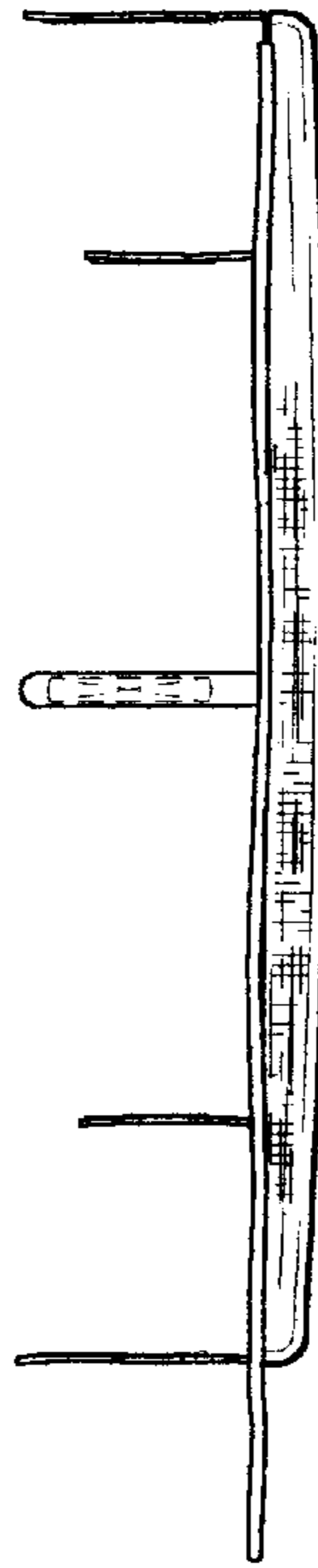


Fig. 4

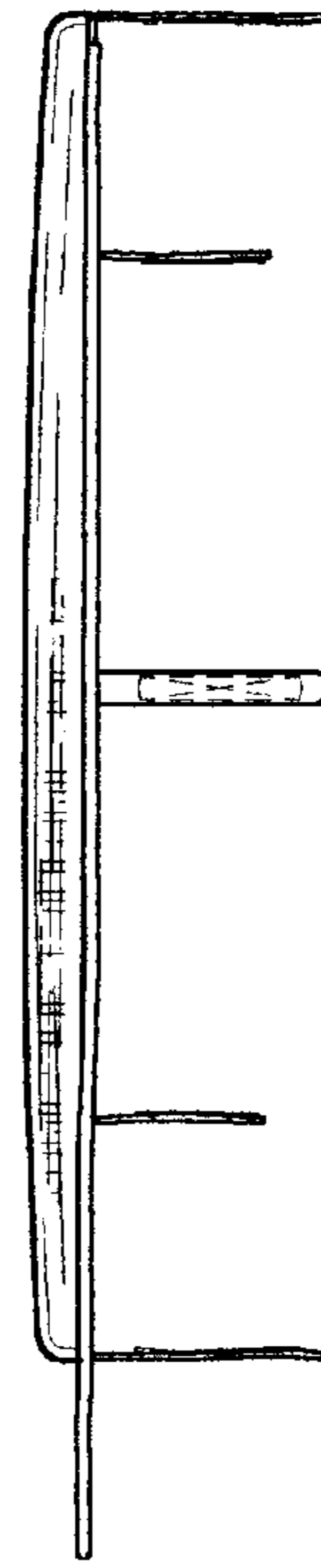


Fig. 5

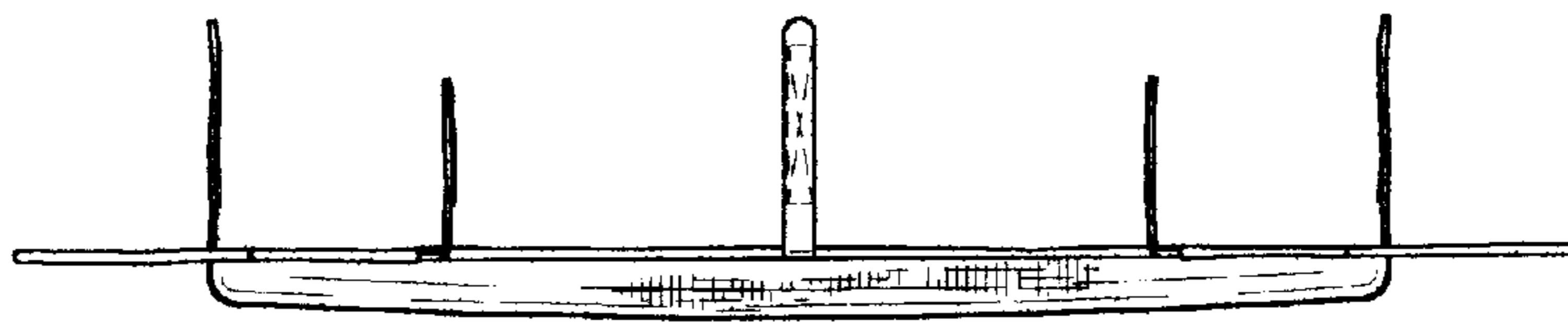


Fig. 6

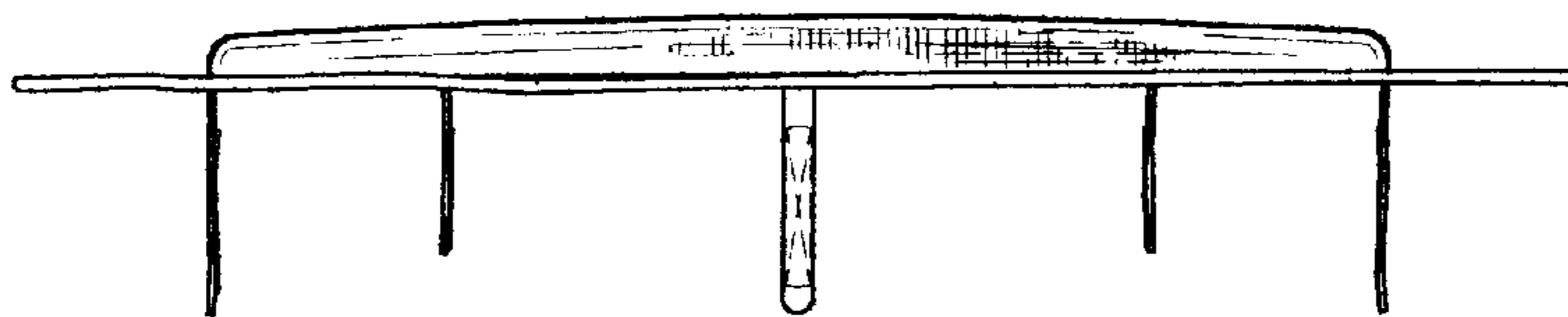


Fig. 7